



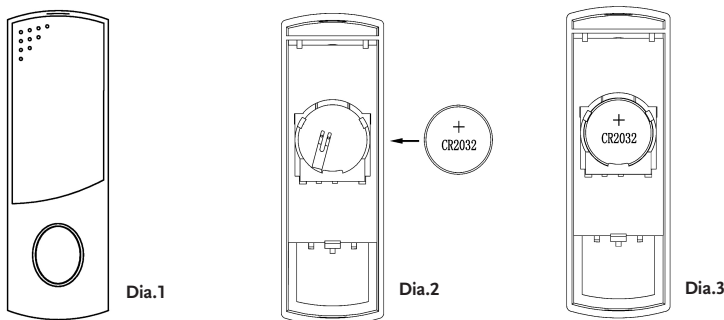
Installation Instructions for Wirefree Doorchime Range

MODEL NUMBERS:

- DW010AN-C - Herald Kit
- DW030AN-C - Plug-In Kit
- DW040AN-C - Ambassador Kit
- DW040ASN-C - Ambassador Kit (Silver)
- DW050AHN-C - Beacon Kit

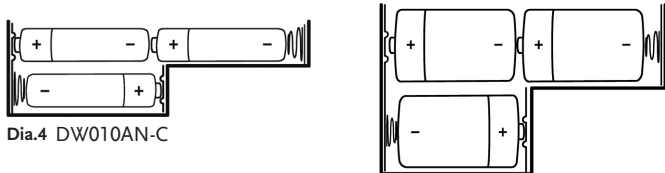
- No more wires
- Simply insert batteries
- Battery included for Transmitter (3V Lithium battery CR2032)
- Receivers DW040AN-C, DW040ASN-C & DW050AHN-C requires three Alkaline 'C' cell LR14 batteries
- Receiver DW010AN-C requires three 'AA' batteries
- Receiver DW030AW-C does not require batteries
- Transmitter screws

FITTING THE BATTERIES



TRANSMITTER

1. The battery compartment slot is located on the bottom of the unit.
2. Using a flat screwdriver insert into slot and gently push, The base will pop open.
3. Insert the 3V Lithium battery (CR2032), Dia.3 and refit the base cover.



RECEIVER

1. The battery compartment is located on the base.
2. Remove cover gently by pushing and releasing the two tabs.
3. Insert three batteries, ensuring the correct polarity so that the negative end is always resting on the spring and the positive end on the flat metal plate.
4. The first battery goes in the lower compartment with the negative end against the spring.
5. The other two are inserted as shown in Dia.4 (DW010AN-C) and Dia.5.
6. Replace battery cover carefully.

INSTALLING THE TRANSMITTER TO THE DOOR

Before drilling any holes position the transmitter on the door or door frame outside (ideally a flat area). You should also look to position the transmitter in an unexposed place to protect from rain.

The range of the unit is up to 150 metres (100M on model DW030AN-C & DW010AN-C) but mounting the transmitter on metal or UPVC door frames may make the unit inoperative or seriously reduce the operating range.

As with all low powered transmitters the number of wall and ceilings the signal has to travel through between the transmitter and receiver also affects the range.

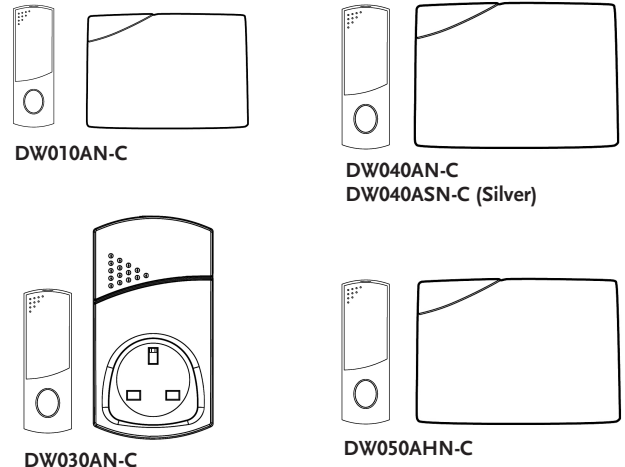
Once a suitable surface is found remove the transmitter base following 1) & 2) of 'Fitting the Batteries'.

Use these as templates to fix the base on to a doorframe. Ensure the transmitter is the right way up so that the release peg is at the bottom.

If mounting on to masonry, wall fixings will be required. Refit unit to base.

IMPORTANT: The screws must be fixed flush or the battery will not maintain contact with the terminals and the unit will not operate.

TUNE SELECTION/LEARN CODE



The Wirefree Doorchime Range can 'Learn' up to 4 transmitters each can have 4 different tunes.

TUNE LIST

1. Ding Dong
2. Ding Dong Dong
3. Ding Dong Ding Dong
4. Westminster (8 Notes)

For Models - DW010AN-C, DW040AN-C & DW040ASN-C

1. Press once the round 'Learn' button on the receiver. a Red LED will light up indicating that your in 'Learn' mode.
2. Press the transmitter button, it will play the first tune (Ding Dong).
3. Press again the transmitter and the next tune will be played. Repeat until you have selected the desired tune.
4. Press again the 'Learn' button to leave the 'Learn' mode or leave for 10 secs, it will quit automatically.

Repeat the above step if you want to add more transmitters (DW060AN-C). Up to 4 can be added, all with a different tune setting.

For Models - DW050AHN-C

On this Beacon model press the 'Learn' button on the receiver, there will be a Ding sound indicating entering into 'Learn' mode. Please note there is NO Red LED.

Select the tune as above. Press again the 'Learn' button to leave the 'Learn' mode. it will sound Ding Ding or leave for 10 secs it will quit automatically.

Note: The Beacon model has a flashing Blue light, using the mode button you can select from 3 modes - Flashing only, Sound only or Flash after sound selection.

For Models - DW030AN-C

Plug the chime into AC mains socket - then follow the full procedure as the main doorchime range above.

In the unlikely event of nuisance interference with a neighbours system, please contact the GreenBrook Technical Department on 01279 772 736 for further advice.

ERASING THE TRANSMITTER MEMORY

1. Press and hold the 'Learn' button on the chime receiver for approx 10 secs, the LED will flash for 5 secs.
2. On the Beacon model DW050AHN-C it will sound Ding Ding Ding.

VOLUME CONTROL

Models DW040AN-C, DW040ASN-C and DW050AHN-C all have volume control.

1. Press the volume button on the receiver, there are four different sound levels for selection.

TESTING

Test your doorchime by moving the receiver in different rooms at varying distances from the transmitter to ascertain the coverage available in your home this way you are unlikely to miss any visitors.

GUARANTEE

Your KingShield Wirefree Doorchime is guaranteed for 12 months from the date of purchase. This does not affect your statutory rights.

***PLEASE KEEP THESE INSTRUCTIONS
SAFE FOR FUTURE REFERENCE***



**GREEN
BROOK**
ELECTRICAL PLC
WEST ROAD . HARLOW
ESSEX . CM20 2BG . UK
sales@greenbrook.co.uk
WWW.GREENBROOK.CO.UK

Issue no: 703379