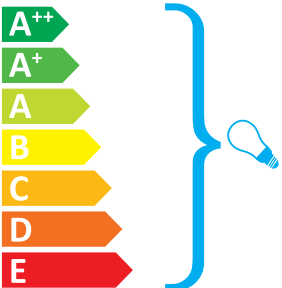


Eterna PIRHL60 Range



This luminaire is compatible with bulbs of the energy classes:



874/2012



SPECIFICATIONS:

- Detection range: Approx. 120° (horizontal), Max. 12 metres.
- Duration time: from 3 min ± 20 sec.
- Factory preset PIR - no override facility.

CLEANING:

To avoid dust build-up and ensure proper functioning of the half lantern light, please wipe the sensor lens lightly with a damp cloth every 3 months.

Disconnect the power and clean the exterior only of this fitting with a moist (not wet) cloth.

Do not use any chemical or abrasive cleaners.

EVENTUALLY, YOU MAY WANT TO REPLACE THIS PRODUCT:

Regulations require the recycling of Waste from Electrical and Electronic Equipment (European "WEEE Directive" effective August 2005—UK WEEE Regulations effective 2nd January 2007). Environment Agency Registered Producer: WEE/GA0248QZ.

WHEN YOUR PRODUCT COMES TO THE END OF ITS LIFE OR YOU CHOOSE TO REPLACE IT, PLEASE RECYCLE IT WHERE FACILITIES EXIST - DO NOT DISPOSE WITH HOUSEHOLD WASTE.

IF YOU EXPERIENCE PROBLEMS:

If you believe your product is defective, please return it to the place where you bought it. Our Technical Team will gladly advise on any Eterna Lighting product, but may not be able to give specific instructions regarding individual installations.

For breakage information visit:
www.eterna-lighting.co.uk

LAMP REPLACEMENT:

- Switch off the electricity at the mains.
- Release front diffuser cover with screwdriver.
- Remove and replace lamp making sure it seats correctly in the lampholder.
- Replace front diffuser cover.
- Restore power.

REPLACEMENT LAMP TYPE:

Requires 1 x suitable ES energy saving lamp (not included).

Fitting is rated at 60W max.



IP44

Issue 2015



FOR PRODUCT ADVICE:

- T: 01933 673 144
- F: 01933 678 083
- E: sales@eterna-lighting.co.uk

Made in China

Visit our website:

www.eterna-lighting.co.uk



INSTALLATION INSTRUCTIONS

A guide for qualified electricians



Pack contents:

- Half lantern with 120° PIR
- Mounting fixtures

Model:

PIRHL60BK / PIRHL60WH

Half Lantern with 120° PIR

These instructions are provided as a guideline to assist you.

**PLEASE READ THESE INSTRUCTIONS BEFORE USING YOUR NEW FITTING
PLEASE RETAIN FOR FUTURE REFERENCE**

INTRODUCTION:

The half lantern incorporates a PIR (passive Infrared) sensing device which continuously scans a preset operating zone and immediately switches the light on when it detects movement in that area.

This means that whenever movement is detected within the range of the sensor the light will switch on automatically to illuminate the area you have selected to light. While there is movement within range of the unit the light will remain on.

READ THIS FIRST:

Check the pack and make sure you have all of the parts listed on the front of this booklet. If not, contact the outlet where you bought this product.

This product must be installed by a competent person in accordance with the current building and IEE wiring regulations.

As the buyer, installer and/or user of this product it is your own responsibility to ensure that this fitting is fit for the purpose for which you have intended it. Eterna lighting cannot accept any liability for loss, damage or premature failure resulting from inappropriate use.

This product is designed and constructed according to the principles of the appropriate British Standard and is intended for normal domestic service. Using this fitting in any other environments may result in a shortened working life.

Switch off the mains before commencing installation and remove the appropriate circuit fuse or lock off MCB.

This unit is suitable for outdoor use.

This product is designed for permanent connection to fixed wiring: this must be a suitable circuit (protected with the appropriate MCB or fuse).

Before making fixing hole(s), check that there are no obstructions hidden beneath the mounting surface such as pipes or cables.

Make sure that the fixings are strong enough to support the considerable weight of the fitting and hold it rigidly.

The lamp must be positioned so that there is at least 0.5m (500mm) between the bulb and any illuminated surface.

When making connections ensure that the terminals are tightened securely and that no strands of wire protrude. Check that the terminals are tightened onto the bared conductors and not onto any insulation.

WARNING: This product becomes hot!

This product is not intended to be used by children and persons with sensory, physical and/or mental impairments that would prevent them from using it safely.

IMPORTANT - Always switch off the mains power before changing the lamp.

You are advised at every stage of your installation to double-check any electrical connections you have made. After you have completed your installation there are electrical tests that should be carried out, these tests are specified in the current IEE wiring and building regulations.

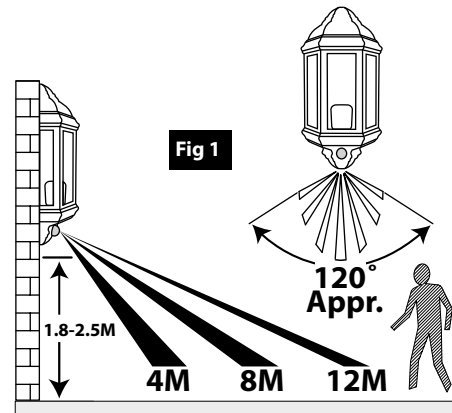
This product is double insulated, do not connect any part to earth.

WHERE TO FIT YOUR PIR HALF LANTERN:

To achieve best results we suggest you take the following points into consideration:

Do not mount on a surface that has vibration.

Ideally the PIR half lantern should be mounted 1.8 to 2.5 metres (6 to 8ft) above the area to be scanned (refer to Fig. 1 below).



To avoid damage to the unit do not aim sensor towards the sun.

Avoid positioning the sensor unit adjacent to a bright light source which may prevent the unit from operating when the lux control is set to operate in dark conditions.

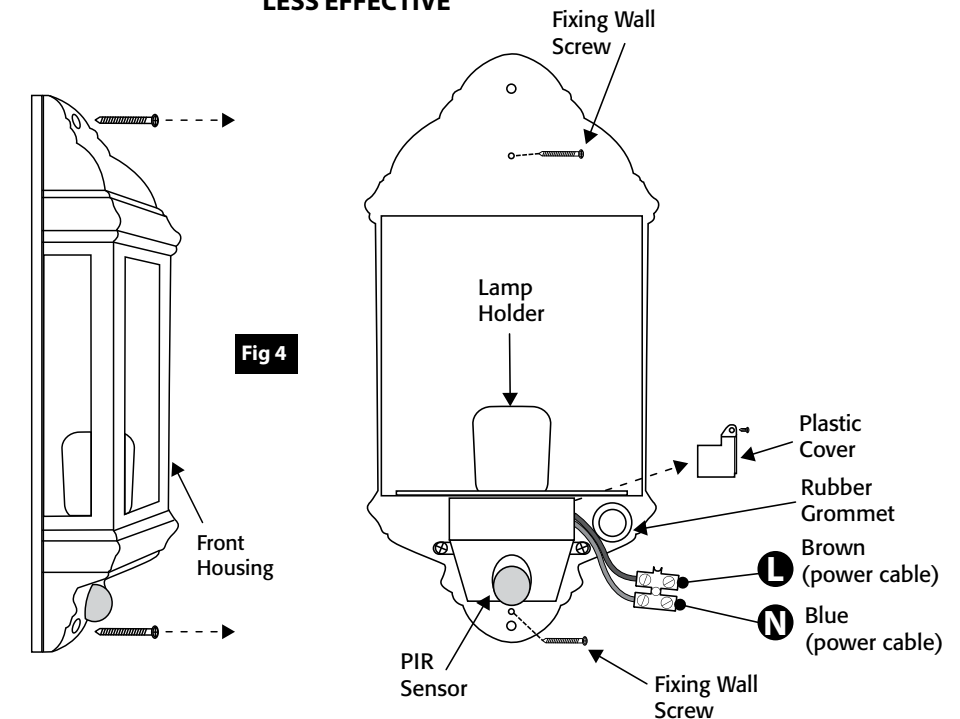
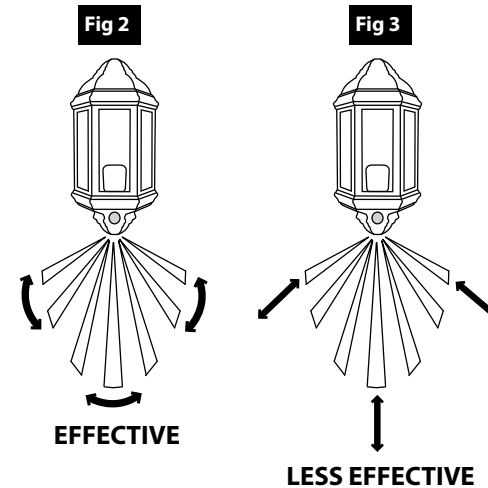
Avoid nuisance false triggering by directing sensor away from:

Trees and shrubs
Reflective surfaces such as smooth white walls
Swimming pools
Heat sources such as boiler flues

The PIR sensor scanning specifications (approximately 12 metres at 120°) may vary slightly depending on the mounting height and location.

The detection range of the unit may also alter with temperature change. Before selecting a place to install your PIR lantern you should note that movement across the scan area is more effective than movement directly towards or away from the sensor (refer to Fig. 2 below).

If movement is made walking directly towards or away from the sensor and not across the apparent detection range will be substantially reduced (refer to Fig. 3 below).



INSTALLATION:

Please refer to Fig. 4 below.

- 1) Remove the two screws at the top and bottom of the fitting and lift off the front housing.
- 2) Position the fitting on the surface where it is to be installed and mark the mounting hole positions.
- 3) Drill and plug the wall at the marked positions ensuring you pass the cable wire through rubber grommet.
- 4) Screw and fix the back housing to wall with suitable mounting screws (supplied).
- 5) Remove PIR terminal cover and expose the connector block and make connections according to the relative symbols:

(L) Brown wire
(N) Blue wire.

Make sure that terminals are tightened securely and that no strands of wire protrude.

- 6) Replace and secure the plastic PIR cover.
- 7) Insert suitable ES energy saving lamp.
- 8) Replace the front housing and tighten the screws.
- 9) Restore the power and switch on.

TROUBLESHOOTING AND USER HINTS:

Note: all passive infra red detectors are more sensitive in cold and dry weather than warm and wet weather.

PROBLEM	POSSIBLE CAUSE	SUGGESTED REMEDY
Light does not switch on when there is movement in the detection area.	1. No mains voltage	Check all connections, and MCB Fuses / switches
	2. Nearby lighting is too bright	Relocate the unit
	3. Lamp blown	Check lamp functions and replace if necessary
	4. Lamp not fitted correctly	Make sure the lamp is correctly seated in the lampholder
	5. Wired incorrectly	Check wiring and confirm its wired as per the wiring diagram
Light switches on for no apparent reason (false trigger)	1. Heat sources such as air-con, vents, heaters, flues, other outside lighting, moving cars trees or shrubs are activating sensor	Relocate fitting
	2. Animals / birds activating sensor	Relocate fitting
	3. Interference from on/off switching of electric fans or lights on the same circuit as your fitting. (This problem does not always occur but a faulty switch or noisy fluorescent light may cause the fitting to switch on)	Should the false triggering become, troublesome, consider: (a) Replacing a faulty switch (b) Replacing noisy fluorescent tubes and/or starters (c) Connecting the fitting to a separate circuit (in most cases where one or more of the above suggestions have been carried out, false triggering has been reduced)
	4. Reflection from swimming pool, or reflective surface such as smooth white walls	Relocate fitting
Light remains on	Continuously false triggered	Relocate fitting
Light remains on at nighttime	Possible heat source in detection zone	Cover PIR sensor lens with a thick cloth, if the light turns off check detection area for heat or reflective source, reposition head
When setting the lux controls in daylight the detection distance becomes shorter	Interference by sunlight	Re-test at night