

## GENERAL:

- The LEDs fitted in this product are non-replaceable
- The unit should be recycled in the correct manner when it reaches the end of its life. Check local authorities for where facilities exist
- Clean with a soft dry cloth only, do not use aggressive cleaning products or solvents which may damage the fitting

## Supplied with:

- M4 28mm screws x4
- M4 10mm screws x2
- Rawl plugs x4
- Cable clamp cover x1

## Warranty:

This product has a warranty of 3 years from date of purchase. Failure to install this product in accordance with the current edition of the IEE Wiring Regulations, improper use, or removal of the batch codes will invalidate the warranty. If this product should fail within its warranty period, it should be returned to the place of purchase for a free of charge replacement. ML Accessories does not accept responsibility for any installation costs associated with the replacement product. Your statutory rights are not affected. ML Accessories reserve the right to alter product specification without prior notice.

Knightsbridge®  
the mark of quality

## INSTALLATION & MAINTENANCE MANUAL EX003T & EX004T



## GENERAL INSTRUCTIONS:

These instructions should be read carefully and retained after installation by the end user for future reference and maintenance.

These instructions should be used to aid installation of the following products:  
EX003T & EX004T

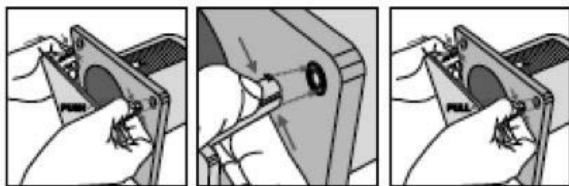
## SAFETY:

- Installation of this product should only be carried out by a qualified electrician or competent person to the current IEE Wiring Regulations (BS7671)
- Please isolate mains prior to installation/maintenance
- Check the total load on the circuit, including when this product is fitted, does not exceed the rating of the circuit cable, fuse or circuit breaker
- Please note the IP (Ingress of Protection) rating of this product when deciding the location for installation
- This product is class II, double insulated
- This product is suitable for installing in walls and ceilings
- This fan is not suitable for installing into a window
- Please recycle this unit

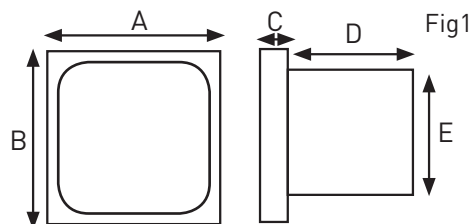
## INSTALLATION:

**Note** - If this product is being used in conjunction with external PIR or sensors, please confirm with the manufacturer of the sensors that they are compatible.

- Provide power to the required point of installation, suitable IP rated junction boxes should be used where required
- Remove the front facia (please see Fig 1)



- Cut a suitable hole in the ceiling/wall as per the cut-out details in Fig 2 ensuring that it does not infringe with electrical cables, water/gas pipes or ceiling joists
- Important: Subject to the surface foundation material, ensure the correct fixings are used



Model	A	B	C	D	E
EX003T	158	158	39	81	100
EX004T					

- Mark the location of the 4 fixing holes
- Drill the holes ensuring not to infringe with any joists, gas or water pipes or electrical cables that may be hidden behind the surface
- Note: If installed in bathrooms, the circuit should be covered by an RCB or RCBO
- Remove the cover by removing the screw at the bottom of the product (see Fig 3)

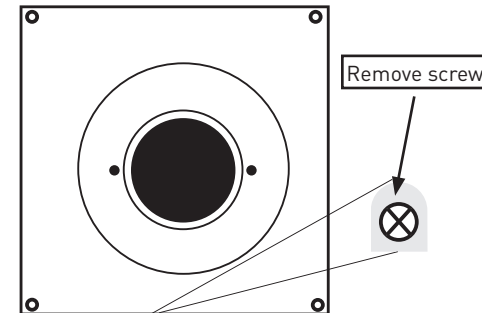


Fig3

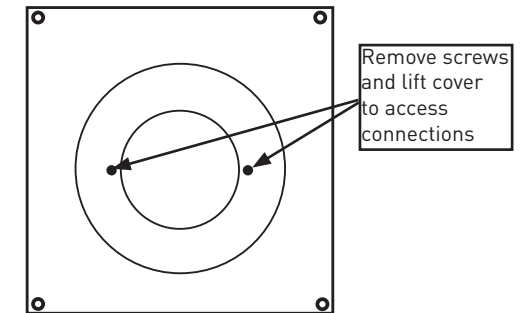


Fig4

- Connect the Live (L), Neutral (N) and switched Live (T) (see Fig 5)
- Make adjustments to the delay timer for desired setting (see Fig 5)

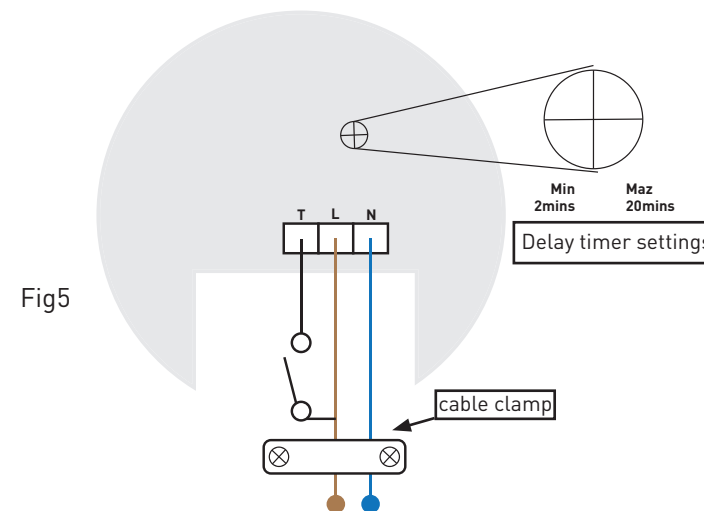


Fig5

- Install cable clamp (supplied) onto incoming mains cable
- Reassemble covers
- Switch on the power supply and test for correct operation