

User Instruction Manual

BRANDED MANUAL FILL BOILERS

Electric Urn



Please read and
keep these
instructions



Glen Dimplex Professional Appliances
Stoney Lane, Prescot, Merseyside, L35 2XW
Tel: 0844 815 3755

www.gdpacatering.co.uk

INTRODUCTION

To ensure you obtain full benefits from your new urn:

- Please read this instruction booklet carefully, and follow all instructions.
- If you are unsure of any aspect of the installation, use or performance of your appliance, please contact the after sales number shown on the back page.

SPECIFICATIONS

Model		C2T	C8T
Dimensions	Height	315mm	530mm
	Diameter	210mm	210mm
Water volume		2.5 litre	7.5 litre
Maximum draw off		2.2 litre	7.2 litre
Weight		2kg	3kg
Voltage		220-240V ~50Hz	
Power rating		1840-2200W	

INSTALLATION

Installation Requirements:

It is essential that this appliance is installed correctly. Installation should comply with all local electrical, and health and safety requirements.



WEEE directive registration no. WEE/DK0059TT

At end of unit life, dispose of appliance and any replacement parts in a safe manner, via a licenced waste handler. Units are designed to be dismantled easily and recycling of all material is encouraged whenever practicable.

Before Connection to Power Supply:

Remove all packaging.

Check the appliance for damage. Report any damage immediately to the carrier or supplier.

Remove any protective plastic coating.

Any water in the urn is due to testing and is normal.

Check the available power supply corresponds to that shown on the appliance rating label.

Location:

This electric urn is for indoor use only.

Allow at least 100mm clearance from any wall.

Only use on a flat level surface, that is adequate to support the weight when full of water.

Do not lift or move the urn when it contains hot water or when the mains lead is plugged in.

The appliance is only to be installed in locations where its use and maintenance is restricted to trained personnel.

The mains lead should reach from the mains socket without straining the connections.

Do not let the mains lead hang over the edge of the table or counter, and keep it away from any hot surfaces.

Do not let the mains lead run across an open space.

Do not place the appliance where the mains lead could fall into a sink.

Do not place the appliance near a hot gas or electric burner.

Electrical Connection:

Fitting a plug:

The mains lead of this appliance will already be fitted with a BS1363 13A plug. If the fuse has to be replaced, use a 13 amp fuse complying with BS 1362.

If the plug is not suitable for your socket then the plug must be cut off and disposed of safely.

An appropriate plug should be fitted as follows:

IMPORTANT: The wires in the mains lead are coloured in accordance with the following code:

Green and Yellow - Earth

Blue - Neutral

Brown - Live

The wire which is coloured green and yellow must be connected to the terminal in the plug which is marked with the letter E or the earth symbol or coloured green or green and yellow.

The wire which is coloured blue must be connected to the terminal which is marked with the letter N or coloured black or blue.

The wire which is coloured brown must be connected to the terminal which is marked with the letter L or coloured red or brown.

Make sure that the connections are tight and that there are no loose strands of wire and no insulation trapped under the terminals. Tighten the clamp in the plug making sure that it grips the outer covering of the cord. If fitting a BS 1363 13A fused plug then fit a 13A fuse. Tighten the plug cover securely. If you are in any doubt, consult a qualified electrician.

IMPORTANT: replace the supply cord if damaged. The supply cord may become warm when the appliance is in use.

WARNING - THIS APPLIANCE MUST BE EARTHED

Electrical connection: 220-240V ~50Hz, 8.4-9.2A, 1840-2200W

Before Use:

Fill, heat and discard the water twice before general use.

USER GUIDE

TO AVOID BEING SCALDED, KEEP HANDS AWAY FROM ANY STEAM FROM THE LID WHEN THE URN IS OPERATING OR HAS JUST BEEN SWITCHED OFF.

TURN OFF THE POWER SUPPLY AND REMOVE THE PLUG WHEN NOT IN USE, BEFORE CLEANING, AND BEFORE REPLACING ANY PARTS.

Filling:

IMPORTANT: always put water in the urn before switching on.

Remove the lid by turning anti-clockwise and fill the urn with the desired amount of water.

Do not fill above the 'MAX' capacity mark.

WARNING: if the urn is overfilled there is a risk that boiling water will be ejected from around the lid.

Underfilling may cause the thermal cut-out to operate (and may shorten the element life).

Replace the lid turning clockwise to lock.

The urn is not suitable for heating liquids other than water, or for heating water containing solids. If the water is being heated for tea making, make the tea in another container.

Controls:

The green power indicator will be illuminated whenever power is connected to the urn.

Turn the thermostat to the desired setting, the amber heating indicator will be illuminated whenever the element is on. This will go on and off as the thermostat maintains the selected temperature:

Knob setting	Approximate water temp
1	30°C
2	43°C
3	56°C
4	69°C
5	82°C
6	92°C

THIS URN IS NOT INTENDED TO CONTINUOUSLY BOIL WATER, DUE TO THE HAZARDS OF STEAM AND WATER ESCAPING FROM UNDER THE LID.

If it is necessary to keep the water at an exact temperature, use a thermometer to check. Stir the water before taking the temperature and when the desired temperature has been reached, turn the control knob slowly to the left until a click from the thermostat is heard. The thermostat will then cycle on and off to maintain the temperature.

Serving:

The tap has two open positions, one self-holding so that the tap remains open, and the other self-closing so that the tap closes as soon as the lever is released. Lift the lever up for the self-holding position, press the lever down for the self-closing position. Return the lever to the horizontal position to close the tap.

After use:

Turn the control knob to 0 and disconnect from the mains supply.

Water may be left in the urn when not in use for short periods, but to maintain a supply of fresh water, it should be emptied periodically and cleaned out.

WARNING: only move the urn when it is disconnected and cool.

Protective cut-out:

The heating element is fitted with a thermal cut-out which protects the urn from damage if allowed to boil dry or switched on without water. It is essential to keep the heating element free from scale to ensure correct operation of this cut-out. Scale can cause the cut-out to operate when water is heating up normally.

If the cut-out operates, allow the urn to cool down, drain out any water then press the red reset button situated under the base.

Cleaning:

ALWAYS TURN OFF THE POWER SUPPLY AND REMOVE THE PLUG BEFORE CLEANING, ALLOW THE URN TO COOL

THIS URN IS NOT WATERPROOF

DO NOT USE A WATER JET SPRAY TO CLEAN THE INTERIOR OR EXTERIOR OF THE APPLIANCE, OR USE A WATER JET IN THE VICINITY OF THE APPLIANCE

Exterior

Clean with water and detergent. Do not use harsh abrasive cleaners as this could damage the surface finish.

Interior

Brush any scale or sediment from the element and rinse thoroughly with clean water.

Descaling

In hard water areas scale will form on the element and interior. This will adversely affect the operation of the urn if allowed to accumulate. Descale on a regular basis, using a proprietary descaler recommended for stainless steel kettles. Follow the instructions provided with the descaling product.

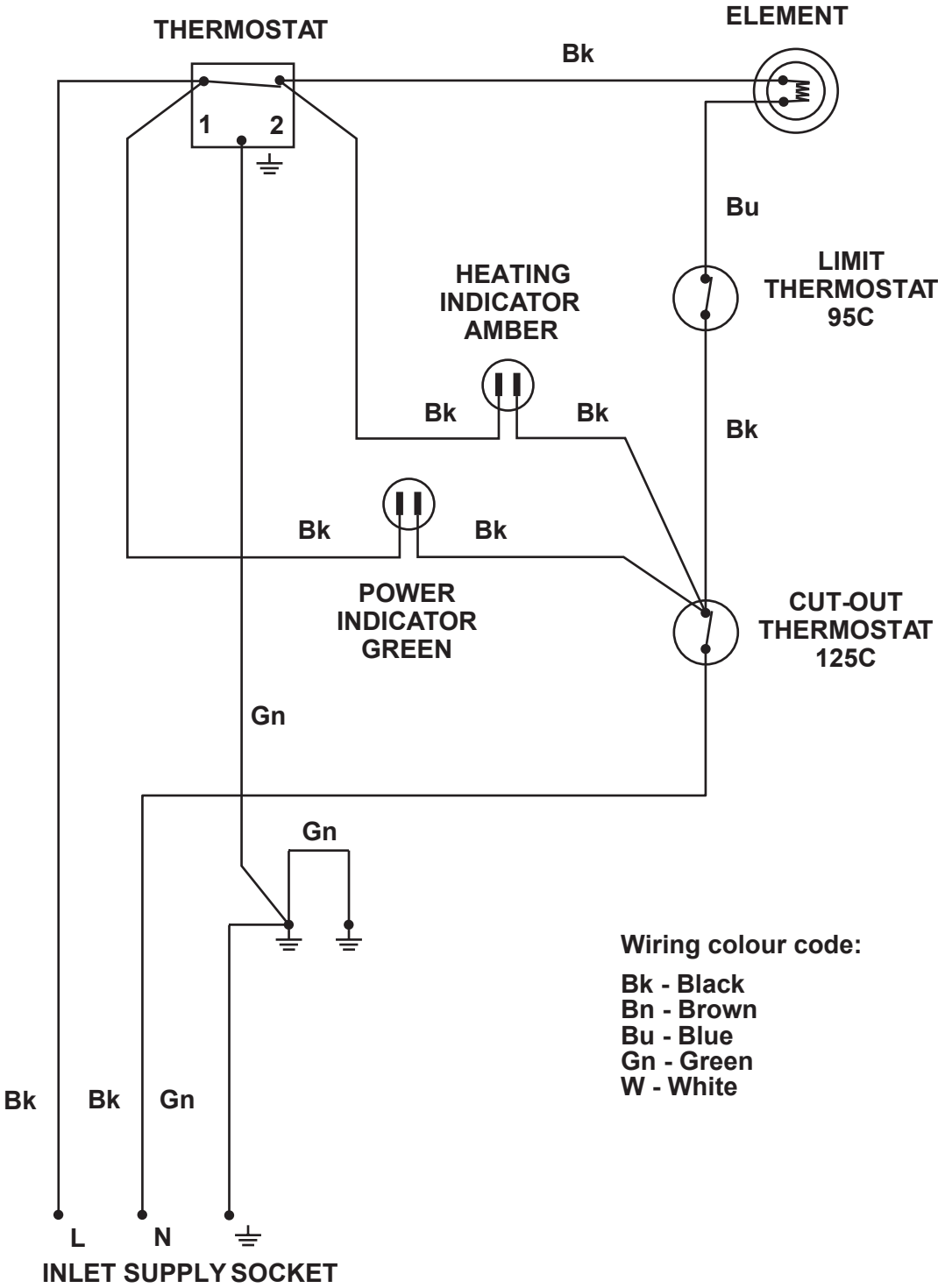
Scale build-up can also cause the tap to drip. If this should occur, turn off the power supply and remove the plug. Empty the urn and allow it to cool. Unscrew the top of the tap from the body. Wipe, scrape and break the scale away from the rubber flexible seal and from the sealing surfaces inside the plastic body of the tap. Reassemble in reverse order.

Failure to regularly descale this unit will invalidate the warranty

Trouble-shooting:

Fault	Possible Cause	Remedy
The appliance does not operate.	No power to the appliance.	Check supply socket is switched on. Check fuse and circuit breaker. Check green power indicator is illuminated.
	Thermostat or element faulty.	Replace thermostat (the element is not intended to be replaced)

WIRING DIAGRAM ELECTRIC CATERING URN



SPARES LIST

ALWAYS TURN OFF THE POWER SUPPLY AND REMOVE THE PLUG BEFORE REPLACING ANY PARTS

Part Number	Description	Qty
082620789	Tap assembly	1
62462	Tap O ring	1
59215	Neon green	1
59214	Neon amber	1
62346	Thermostat	1
62254	Thermostat control knob	1
62657	Reset rod tube	1
62784	Conical spring	1
082610785	Reset rod	1
59108	Cut-out thermostat	1
62801	Limit thermostat	1
62658	Spiderfixes push-on	2
083335500	Handbook	1

WARRANTY

This electric urn is guaranteed against defective materials or faulty workmanship, for a period of 12 months on labour and 12 months on parts.

This warranty is given subject to the appliance being used in accordance with the instructions supplied, and on the supply voltage marked on the rating label. The warranty is subject to fair wear and tear conditions.

The warranty does not cover consequential damage arising out of any failure acceptable under warranty, nor does it cover damage resulting from misuse, accident or unauthorised alterations to the appliance.

Proof of purchase will be required.

In any communication with the supplier or manufacturer, quote the model and serial number marked on the appliance rating label.

This warranty does not affect your statutory rights.

The products are intended for commercial use as detailed in these instructions.

The Company has a policy of continuous improvement in product quality and design. The Company therefore reserves the right to change the specification at any time.

IMPORTANT: any service call resulting from a lack of regular descaling is not covered by this warranty, and will be chargeable.

Customer helpline

**For spares and after-sales service please contact
us on:**

T: 0844 815 3755

F: 0844 815 3748

E: info@gdha.com

**Glen Dimplex Professional Appliances
(A Division of Glen Dimplex Home Appliances)
Stoney Lane,
Prescot,
Merseyside L35 2XW**

www.gdpacatering.co.uk



**GLEN DIMPLEX
PROFESSIONAL APPLIANCES**