

Instructions:

1. Affix the 13 x 65 mm tube into the adapter. The tube may be labeled.
2. Load sample into the flexible pouch of the TissueTube (TT1).
3. Screw the adapter with the 13 mm tube into the TT1.
4. The sample is now ready for processing or storage.

The transfer tube can act as a plug for storage.

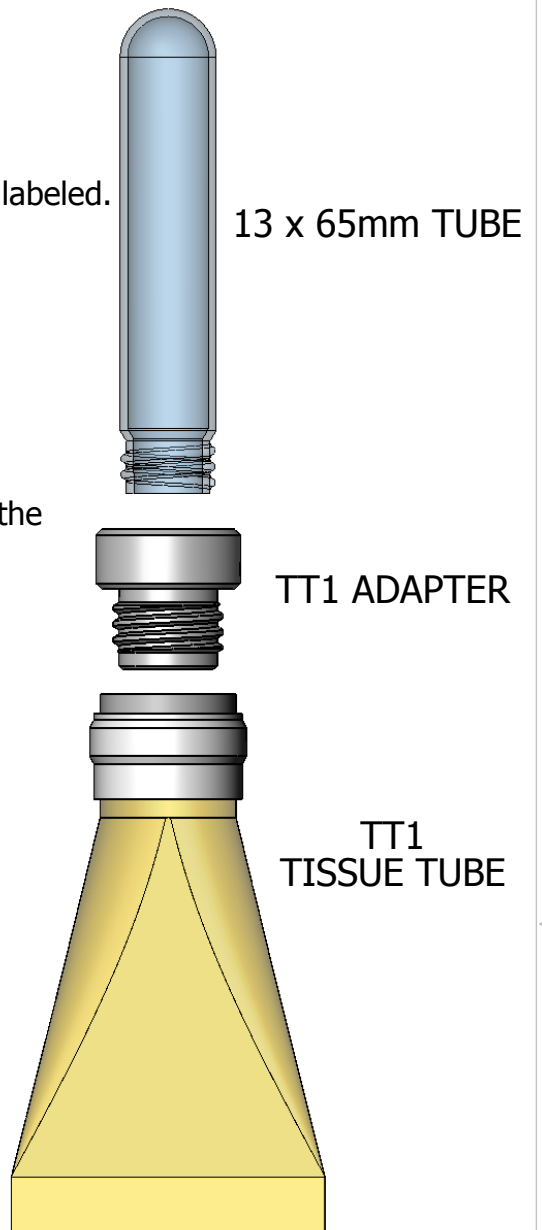
The TT1 with adapter and tube can be loaded directly into the CryoPrep Instrument

5. Follow instructions from enclosed **Product Insert: TissueTubes (TT1 and TT1-XT), PN/010046 rev C** for processing/storing the sample.

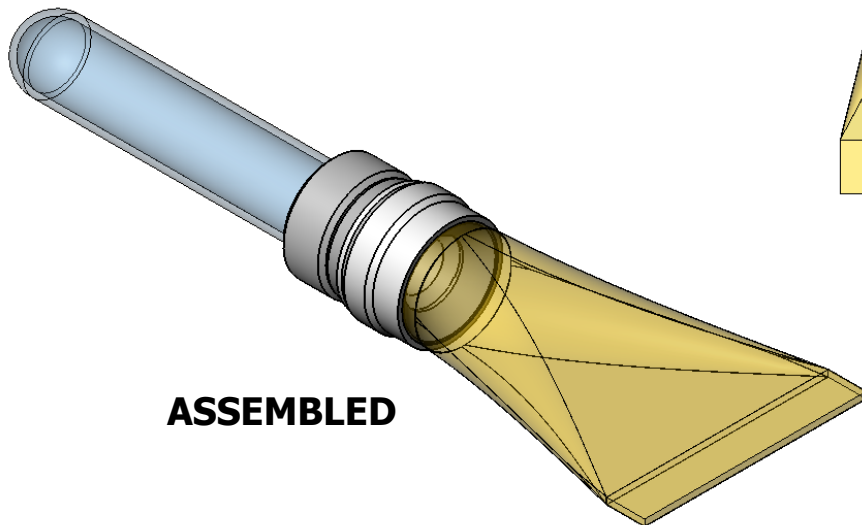
520010 13x65mm Tube and Caps (500/box)

520017 TT1 Adapter (25/box)

520001 TT1 Tissue Tube (25/box)



ACTUAL SIZE



ASSEMBLED

Covaris

14 Gill Street, Woburn, MA 01801, USA 1-781-932-3959
www.covarisinc.com

TITLE **PRODUCT INSERT:
TT1 ADAPTER 13mm TUBE**



THIRD ANGLE PROJECTION

SIZE
A

DWG NO.
010058

REV.
1

PROD:

DRAWN:

SHT 1 OF 1