

# Processing of 8-well strips under vacuum

## User manual

Starter Set A

August 2017 / Rev. 03

## Table of contents

1 Contents	4
2 Product description	4
3 Handling	4
4 Appendix	8
4.1 Troubleshooting	8
4.2 Ordering information	8
4.3 Product use restriction / warranty	9

# 1 Contents

Starter Set A	
REF	740682
Column Holder A	2
NucleoSpin® Dummy Strips	12
User manual	1

## 2 Product description

The Starter Set A is designed for the manual use of the NucleoSpin® 8-well strips on the NucleoVac 96 (REF 740681), the Qiagen QiaVac 96, or for automation of the strips on common liquid handling instruments equipped with a standard 96-well plate vacuum chamber.

The set contains two Column Holders A to hold the NucleoSpin® 8-well strips and NucleoSpin® Dummy Strips to close the unused rows of the Column Holder A.

It allows flexible processing of the NucleoSpin® 8 kits by using one to six strips per run.

## 3 Handling

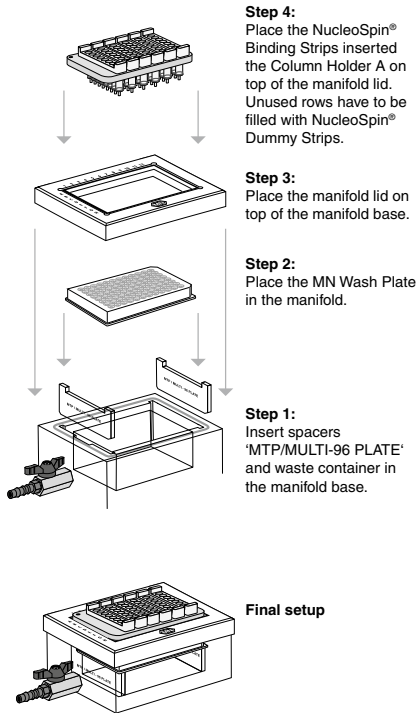
The desired number of 8-well strips is placed in the Column Holder A. Make sure that the 8-well strips are in the right orientation and attach to the column holder with a click. Unused rows of the column holder are closed with NucleoSpin® Dummy Strips. The column holder is then inserted into the lid of the NucleoVac 96 (see setup with NucleoSpin® Binding Strips, see page 5).

If using a kit with filter and binding strips (e.g., at the filtration step using the NucleoSpin® 8 Plasmid kit), the binding strips are inserted in one of the column holders. Empty rows are filled with NucleoSpin® Dummy Strips. The column holder is then placed onto the spacers 'MTP/MULTI-96 PLATE' inserted into the manifold base. The second column holder is loaded with the filter strips and inserted into the manifold lid. The manifold is then assembled (see setup with NucleoSpin® Filter Strips and NucleoSpin® Binding Strips, see page 6). After filtration, the lower column holder is transferred to the manifold lid for binding.

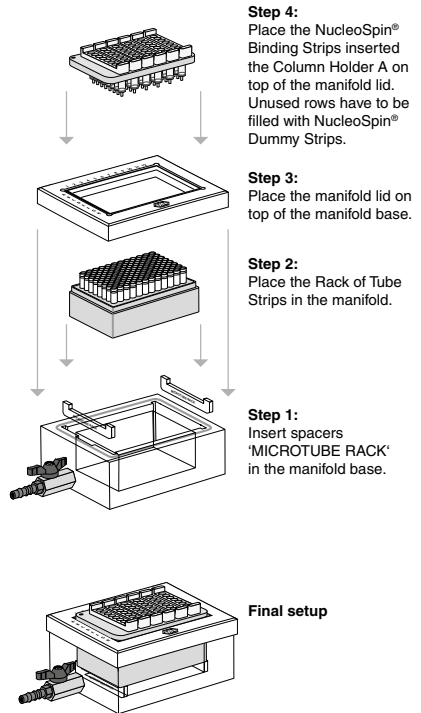
Elution is performed into a Rack of Tube Strips or an Elution Plate. Using the Elution Plate, spacers 'MTP/MULTI-96 PLATE' are needed. Please see the relating kit's user manual for more information regarding specific requirements.

## Setup with NucleoSpin® Binding Strips

### Binding / Washing / Washing in MTP

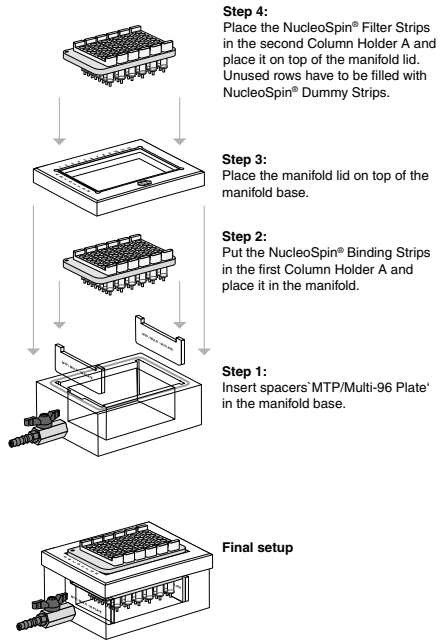


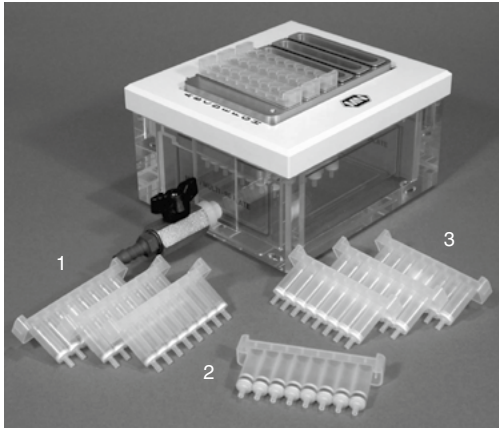
### Elution step in Rack of Tube Strips



## Setup with NucleoSpin® Filter Strips and NucleoSpin® Binding Strip

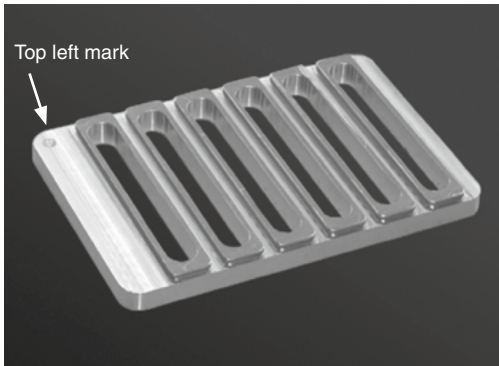
### Lysate clearing





- 1 NucleoSpin® Filter Strips
- 2 NucleoSpin® Dummy Strip
- 3 NucleoSpin® Binding Strips

**Figure 1** NucleoSpin® 8-well strips inserted in Column Holder A on top of the NucleoVac 96 Vacuum Manifold  
Unused wells have to be filled with NucleoSpin® Dummy Strip



**Figure 2** Column Holder A  
(note top left mark for orientation)

## 4 Appendix

### 4.1 Troubleshooting

Problem	Possible cause and suggestions
Vacuum not sufficient	<p><i>Strips not inserted properly</i></p> <ul style="list-style-type: none"> <li>Make sure that the strips are properly attached to the column holder and that the small gaskets sealing the strips are clean and intact.</li> </ul>
	<p><i>Column holder not inserted properly.</i></p> <ul style="list-style-type: none"> <li>Check gasket of the vacuum chamber and clean if necessary. Insert the column holder properly.</li> </ul>

### 4.2 Ordering information

Product	REF	Pack of
Starter Set A (for processing NucleoSpin® 8-well strips on NucleoVac 96 Vacuum Manifold)	740682	1 set
NucleoSpin® Dummy Strips	740685	6
NucleoVac 96 Vacuum Manifold	740681	1
NucleoVac 96 Spacer Set	740247	1 set
Replacement parts for the NucleoVac 96 are available on request		
NucleoVac Vacuum Regulator	740641	1
Rack of Tube Strips (1 set consists of 1 rack, 12 strips with 8 tubes each, and 12 Cap Strips)	740637	5 racks
Square-well Block	740481	4
	740481.24	24
Self-adhering PE Foil	740676	50 sheets
Gas-permeable Foil	740675	50 sheets

Visit [www.mn-net.com](http://www.mn-net.com) for more detailed product information.

### 4.3 Product use restriction / warranty

**Starter Set A** components are intended, developed, designed, and sold FOR RESEARCH PURPOSES ONLY, except, however, any other function of the product being expressly described in original MACHEREY-NAGEL product leaflets.

MACHEREY-NAGEL products are intended for GENERAL LABORATORY USE ONLY! MACHEREY-NAGEL products are suited for QUALIFIED PERSONNEL ONLY! MACHEREY-NAGEL products shall in any event only be used wearing adequate PROTECTIVE CLOTHING. For detailed information please refer to the respective Material Safety Data Sheet of the product! MACHEREY-NAGEL products shall exclusively be used in an ADEQUATE TEST ENVIRONMENT. MACHEREY-NAGEL does not assume any responsibility for damages due to improper application of our products in other fields of application. Application on the human body is STRICTLY FORBIDDEN. The respective user is liable for any and all damages resulting from such application.

DNA/RNA/PROTEIN purification products of MACHEREY-NAGEL are suitable for IN VITRO-USES ONLY!

ONLY MACHEREY-NAGEL products specially labeled as IVD are also suitable for IN VITRO-diagnostic use. Please pay attention to the package of the product. IN VITRO-diagnostic products are expressly marked as IVD on the packaging.

IF THERE IS NO IVD SIGN, THE PRODUCT SHALL NOT BE SUITABLE FOR IN VITRO-DIAGNOSTIC USE!

ALL OTHER PRODUCTS NOT LABELED AS IVD ARE NOT SUITED FOR ANY CLINICAL USE (INCLUDING, BUT NOT LIMITED TO DIAGNOSTIC, THERAPEUTIC AND/OR PROGNOSTIC USE).

No claim or representations is intended for its use to identify any specific organism or for clinical use (included, but not limited to diagnostic, prognostic, therapeutic, or blood banking). It is rather in the responsibility of the user or - in any case of resale of the products - in the responsibility of the reseller to inspect and assure the use of the DNA/RNA/protein purification products of MACHEREY-NAGEL for a well-defined and specific application.

MACHEREY-NAGEL shall only be responsible for the product specifications and the performance range of MN products according to the specifications of in-house quality control, product documentation and marketing material.

This MACHEREY-NAGEL product is shipped with documentation stating specifications and other technical information. MACHEREY-NAGEL warrants to meet the stated specifications. MACHEREY-NAGEL's sole obligation and the customer's sole remedy is limited to replacement of products free of charge in the event products fail to perform as warranted. Supplementary reference is made to the general business terms and conditions of MACHEREY-NAGEL, which are printed on the price list. Please contact us if you wish to get an extra copy.

There is no warranty for and MACHEREY-NAGEL is not liable for damages or defects arising in shipping and handling (transport insurance for customers excluded), or out of accident or improper or abnormal use of this product; defects in products or components not manufactured by MACHEREY-NAGEL, or damages resulting from such non-MACHEREY-NAGEL components or products.

MACHEREY-NAGEL makes no other warranty of any kind whatsoever, and SPECIFICALLY DISCLAIMS AND EXCLUDES ALL OTHER WARRANTIES OF ANY KIND OR NATURE



WHATSOEVER, DIRECTLY OR INDIRECTLY, EXPRESS OR IMPLIED, INCLUDING, WITHOUT LIMITATION, AS TO THE SUITABILITY, REPRODUCTIVITY, DURABILITY, FITNESS FOR A PARTICULAR PURPOSE OR USE, MERCHANTABILITY, CONDITION, OR ANY OTHER MATTER WITH RESPECT TO MACHEREY-NAGEL PRODUCTS.

In no event shall MACHEREY-NAGEL be liable for claims for any other damages, whether direct, indirect, incidental, compensatory, foreseeable, consequential, or special (including but not limited to loss of use, revenue or profit), whether based upon warranty, contract, tort (including negligence) or strict liability arising in connection with the sale or the failure of MACHEREY-NAGEL products to perform in accordance with the stated specifications. This warranty is exclusive and MACHEREY-NAGEL makes no other warranty expressed or implied.

The warranty provided herein and the data, specifications and descriptions of this MACHEREY-NAGEL product appearing in MACHEREY-NAGEL published catalogues and product literature are MACHEREY-NAGEL's sole representations concerning the product and warranty. No other statements or representations, written or oral, by MACHEREY-NAGEL's employees, agent or representatives, except written statements signed by a duly authorized officer of MACHEREY-NAGEL are authorized; they should not be relied upon by the customer and are not a part of the contract of sale or of this warranty.

Product claims are subject to change. Therefore please contact our Technical Service Team for the most up-to-date information on MACHEREY-NAGEL products. You may also contact your local distributor for general scientific information. Applications mentioned in MACHEREY-NAGEL literature are provided for informational purposes only. MACHEREY-NAGEL does not warrant that all applications have been tested in MACHEREY-NAGEL laboratories using MACHEREY-NAGEL products. MACHEREY-NAGEL does not warrant the correctness of any of those applications.

Last updated: 07 / 2010, Rev. 03

Please contact:  
MACHEREY-NAGEL GmbH & Co. KG  
Tel.: +49 24 21 969-270  
tech-bio@mn-net.co



[www.mn-net.com](http://www.mn-net.com)

## MACHEREY-NAGEL



MACHEREY-NAGEL GmbH & Co. KG · Neumann-Neander-Str. 6-8 · 52355 Düren · Germany

DE / International:

Tel.: +49 24 21 969-0  
 Fax: +49 24 21 969-199  
 E-mail: [info@mn-net.com](mailto:info@mn-net.com)

CH:

Tel.: +41 62 388 55 00  
 Fax: +41 62 388 55 05  
 E-mail: [sales-ch@mn-net.com](mailto:sales-ch@mn-net.com)

FR:

Tel.: +33 388 68 22 68  
 Fax: +33 388 51 76 88  
 E-mail: [sales-fr@mn-net.com](mailto:sales-fr@mn-net.com)

US:

Tel.: +1 484 821 0984  
 Fax: +1 484 821 1272  
 E-mail: [sales-us@mn-net.com](mailto:sales-us@mn-net.com)