

Catalog:	
Project:	
Type:	Date:
Notes:	

LED RETROFIT DOWNLIGHT

TK-RDL1™ Series

Description

Tektron's TK-RDL1 is a 4-inch & 6-inch, retrofit downlight that offers a high-performance, energy-efficient and sleek lighting solution for residential applications. It can be easily installed in existing fixtures and is suitable for damp locations. It provides good light output and a streamlined design.

Applications

Replaces CFL & HID or Incandescent downlights for higher energy savings & aesthetics. Save up to 80% in energy cost. 100% Mercury & Lead Free.



Quick Ship

TK-RDL1-R4-9W-5CCT
TK-RDL1-R6-15W-5CCT



Specification Features

Controls / Dimming

5%-100% dimming capability. This fixture is compatible with industry standard TRIAC/ELV dimmers. etched white polycarbonate diffuser lens for low glare Available in 5CCT

Warranty

5 Years Limited Warranty.
For more information visit us at,
www.technoledlights.com/warrantyinfo

Certifications

It complies with ETL Intertek Listed and Energy Star

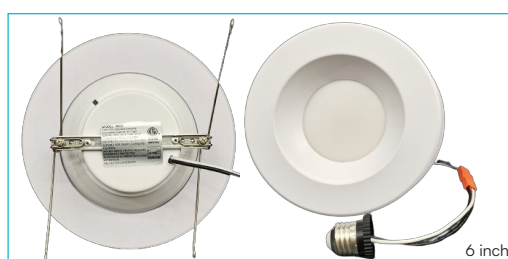
Installation / Mounting

The installation process is straight forward and offers a range of mounting possibilities. Durable airtight Iron body No housing required

Ordering Information

Example: TK-RDLR4-9W-5CCT

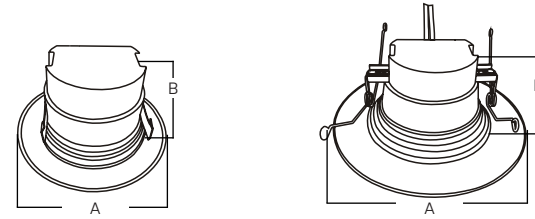
TK	RDL1	R4	9W	5CCT	[BLANK]
Brand	Series	Diameter	Watts	Color Temp	Diffuser Type
TK - TekTron	RDL - Retrofit Downlight GEN1	R4 - 4 inch R6 - 6 inch	4 inch 9W - 9 Watt 6 inch 15 - 15 Watt	27K - 2700K 30K - 3000K 5CCT - 40K - 4000K 50K - 5000K 60K - 6000K 2700K - 6000K <i>(single color temperature optional)</i>	[Blank] Polycarbonated Voltage [Blank] 120V 60Hz



Specification Features

Input Voltage	120V
Color Temperature (CCT)	2700K/3000K/4000K/5000K/6000K
Luminous efficacy (Lm/W)	Upto 80Lm/W
Color Rendering Index (CRI)	80+
Power Factor (PF)	>0.95
LED Chip	SMD 2835
Operating Temperature	-40°C~40°C
Beam Angle	70°
Frequency	60 Hz
Life Span	50,000+ Hrs

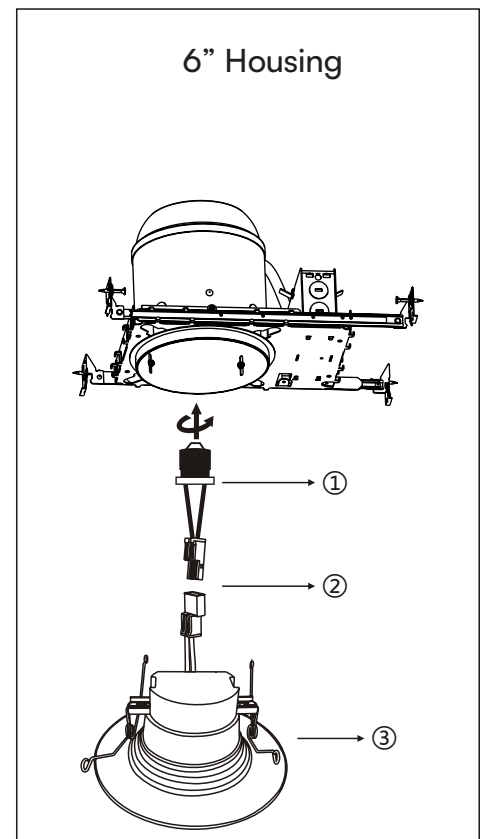
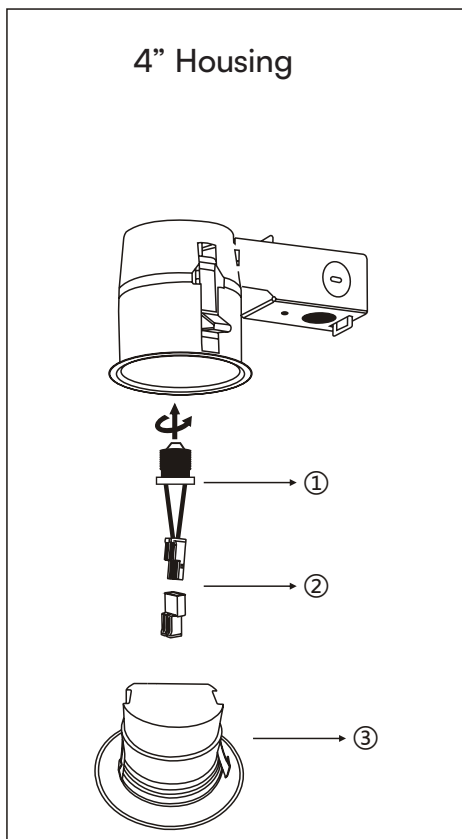
Dimensions



Part Number	A (Diameter)	B (Height)
TK-RDL1-R4-XX-5CCT	5.5 inches	2.95 inches
TK-RDL1-R6-XX-5CCT	7.40 inches	3.2 inches

Part Number	Size	Watt	Lumens
TK-RDL1-R4-XX-5CCT	4 inches	9W	800 Lm
TK-RDL1-R6-XX-5CCT	6 inches	15W	1,200 Lm

Specification Features



INSTALLATION INSTRUCTION

- STEP 1. Screw E26 adapter into existing socket.
- STEP 2. Insert orange LED connector from module to recessed fixture connector.
- STEP 3. Carefully route wires into fixture and push module up flush to ceiling surface.

