



# Brake Lathes and Repair Parts

*The Industry's Largest Selection of Shop Equipment Parts—Call SVI Today!*

Brake Lathe Repair Parts  
for All Makes and Models:

Ammco®\*

Accu-Turn

All Tool

FMC / John Bean

Hunter

Kwikway

Perfect Hofmann

Performance

RJ West

Ranger

RELS

Van Norman



2000 / 2000XL  
Brake Lathes



**SVI International, Inc.**  
155 Harvestore Drive • DeKalb, IL 60115

800-321-8173  
815-748-0200

[www.relsmfg.com](http://www.relsmfg.com)  
[www.sviinternational.com](http://www.sviinternational.com)

BALTIMORE • CHICAGO • LOS ANGELES

## TABLE OF CONTENTS

### *Brake Lathe Repair Parts for All Makes and Models*

<p>RELS 2000 Combination Rotor &amp; Drum Brake Lathe ..... 3</p> <p>RELS 2000XL Heavy Duty Brake Lathe..... 4</p> <p>Conversion &amp; Upgrade Kits for Ammco®* ..... 5</p> <p>Brake Lathe Bits .....6-7</p> <p>Tip / Tool Holders .....8-9</p> <p>Twin Cutters .....10</p> <p>Wrenches .....10</p> <p>Adapters, Arbors, Cones, etc.</p> <p style="padding-left: 20px;">Arbors ..... 11</p> <p style="padding-left: 20px;">1" Arbors and Adapters.....12-21</p> <p style="padding-left: 40px;">RELS Adapter Plus System .....12</p> <p style="padding-left: 40px;">Quality Adapter System for Hubless Rotors &amp; Drums ..... 13-14</p> <p style="padding-left: 20px;">11/16" Arbors and Adapters .....22</p> <p style="padding-left: 20px;">1-7/8" Arbors and Adapters.....23-26</p> <p style="padding-left: 20px;">2-1/2" Arbor Set.....24</p> <p style="padding-left: 20px;">Boring Bars .....24</p> <p>Brake Lathe Motors and Miscellaneous .....27</p> <p>Safety Shields / Chip Deflectors .....28</p> <p>Brake Lathe Boots for Ammco®* and RELS.....29</p> <p>Vibration Dampeners / Silencers.....30-31</p>	<p>Brake Lathe Repair Parts for:</p> <p style="padding-left: 20px;">Ammco®* .....29-53</p> <p style="padding-left: 20px;">Accu-Turn .....54-56</p> <p style="padding-left: 20px;">All Tool.....57</p> <p style="padding-left: 20px;">FMC / John Bean .....58-59</p> <p style="padding-left: 20px;">Hunter .....60</p> <p style="padding-left: 20px;">Kwikway.....61</p> <p style="padding-left: 20px;">Perfect Hofmann / RJ West .....62</p> <p style="padding-left: 20px;">Performance .....63</p> <p style="padding-left: 20px;">Ranger.....64</p> <p style="padding-left: 20px;">RELS .....65-69</p> <p style="padding-left: 20px;">Van Norman .....70</p> <p>Brake Lathe Breakdowns</p> <p style="padding-left: 20px;">For Rels 2000 ..... 72-77</p> <p style="padding-left: 20px;">For Ammco®* Models</p> <p style="padding-left: 40px;">3000, 4000, 4100, 7500, 7700..... 78-88</p> <p style="padding-left: 40px;">For Ammco®* Model 7000.....89-91</p> <p style="padding-left: 40px;">For Ammco®* Model 3850 / 3860.....92-96</p> <p style="padding-left: 40px;">For Ammco®* Model 6000, 6002.....97-101</p> <p>Brake Lathe Repair Parts List .....102-126</p>
--	---



ABOUT SVI • SVI International, Inc. is the lift industry's leading supplier and manufacturer of parts for repair and production of all types of automotive lifts. Our commitment to quality engineered parts continues to set standards for the automotive lift industry. Our network of distributors includes more than 2000 companies that sell, service and install automotive lifts and automotive shop equipment including brake lathes and tire changers throughout the United States and Canada. Over the years, SVI has expanded to provide repair parts for lubrication equipment, air compressors, Gasboy Consumer Series parts, oil and petroleum equipment, and many other segments.

Our continued growth is a testament to our years of innovation, customer service and timely delivery of parts needed for repair and production of automotive lifts. SVI's extensive product line includes over 40,000 different types of repair parts. One of our most appreciated services is the engineering and production of quality "legacy" parts for auto lift lines that are no longer manufactured. That means you can count on SVI as a partner in your maintenance and repair program for your auto lifts, brake lathes, tire changers, air compressors, and more!

We back our part solutions inventory with a timely delivery program built around three "Ready Ship" Warehouses offering same-day shipping on most in-stock parts to help keep your operation up and running.

Product innovation and safety have long been key components of SVI's role in the auto shop equipment industry. Our commitment to this full spectrum approach has resulted in even safer operation of older lifts still in service. But our ingenuity knows almost no bounds. SVI was the originator of the patented "Aqua Out" system for use on new cassette style in-ground lifts. "Aqua Out" resolves moisture problems associated with in-ground lifts by automatically removing water from the system every time the lift is lowered.

We invite you to engage with SVI for real solutions and quality engineered parts. Our staff is knowledgeable and stands ready to serve you as one of the leading resources in our industry.

This expertise spans Power Post Heavy Duty In-Ground Lifting Systems, Lubrication Equipment, Steel Hydraulic Line Tubing for Fluid Delivery Systems, Brake Lathe Repair Parts and Cutting Bits, Tire Changer Repair Parts and Gaskets and Parts for Gas Pump and Meter Rebuilding.

P  
a  
g  
e  
  
2

# Now, you can afford the most advanced Brake Lathe RELS 2000 Combination Rotor & Drum Brake Lathe



Call now to order a new  
**RELS 2000**  
 Brake Lathe!



- Serpentine pulleys and belt give you a faster, quieter machine by increasing RPMs while reducing chatter and vibration.
- The modern design of the drum and rotor feed gear boxes eliminates use of high maintenance, mechanical gears.
- Internal parts are compatible with the Ammco®\* 4000, combining familiar design with modern improvements.
- Turn rotors faster and get the best possible finish with the new variable speed gearbox.
- Cut-off switches eliminate the need for plastic gears, which are expensive and timely to replace.
- Double-ended drum tool bar allows for turning small drums.
- Convenient storage tray means your tools are where you need them
- Hardened and ground spindle eliminates the need for boots.
- Bench and Composite Rotor Adapters come standard with lathes.
- Separate motors on the drum and rotor feed maximize the main motor's efficiency.

<b>SPINDLE SPEED</b>	150 and 200 RPM
<b>CROSSFEED SPEED</b>	Infinitely variable, 0 to .010" per revolution
<b>SPINDLE FEED</b>	Infinitely variable, 0 to .020" per revolution
<b>SPINDLE TRAVEL</b>	6-7/8"
<b>ROTOR WIDTH</b>	1-3/4"
<b>DRUM DIAMETER</b>	6 to 28"
<b>ROTOR DIAMETER</b>	17"
<b>DRUM / ROTOR WEIGHT</b>	150 lbs. with standard Arbor 250 lbs. with 1-7/8" Arbor
<b>MOTOR</b>	1 HP, 115V, 60HZ, 1PH (Other voltage Available)
<b>SHIPPING WEIGHT</b>	681 lbs.

## RELS 2000 STANDARD ADAPTER SET

SVI Part #	Description
RM-47300	Hubless Adapter
RM-10435	Lg. Backing Plate 6.75"OD
RM-10436	Sm. Backing Plate 5.25"OD
RM-10438	Sm. Cup w/ Built-in-Spring 5.25"OD
RM-10439	Lg. Cup w/ Built-in-Spring 6.75"OD
RM-44040	Dbl. Tapered Collet 1.332" x 1.670"
RM-44042	Dbl. Tapered Collet 1.362" x 1.710"
RM-44044	Dbl. Tapered Collet 1.711" x 2.073"
RM-44046	Dbl. Tapered Collet 2.074" x 2.440"
RM-44048	Dbl. Tapered Collet 2.441" x 2.897"
RM-44001	Centering Cone 1.187" x 2.25"
RM-40096	Self-Aligning Spacer 1 5/8" long
RM-40161	Spacer 1/2" long



SVI Part #	Description
RM-44102	Spacer 2" long
RM-44140	Bell Clamp 4 1/4"OD
RM-40160	Step Adapter 1" x 2"
RM-44500	Spring
RM-11486	Drum Silencer
RM-11488V	Universal Silencer Band

SVI Part #	Description
RM-40144	Large Wrench
RM-41003V	Large Rubber Silencer (1)
RM-29349V	Small Rubber Silencer (1)
RM-40145	Small Wrench
RM-25110	Spanner Wrench
RM-40194	Safety Shield (not shown)

P  
a  
g  
e  
3

# Heavy Duty and Built to Last. RELS 2000XL Heavy Duty Brake Lathe



Call now to order a new  
**RELS 2000XL**  
Heavy Duty  
Brake Lathe!



- The 2000XL is the heavy duty version of our famous 2000 lathe.
- This means you get the speed and accuracy of our state of the art 2000 lathe and the extended spindle travel that you need to machine large heavy duty drums.
- Hardened and ground spindle means no need for boots and no damage from dropping large items on the machine.
- Bench and Composite Rotor Adapters are standard.
- Very heavy duty construction makes this machine bullet proof.
- RELS complete hubless adapter plus system is included as standard with this machine.
- The 2000XL model offers the same precision machining capabilities as our 2000 lathe but gives you the capability to machine a 9-7/8" deep drum.

<b>SPINDLE SPEED</b>	150 and 200 RPM
<b>CROSSFEED SPEED</b>	Infinitely variable, 0 to .010" per revolution
<b>SPINDLE FEED</b>	Infinitely variable, 0 to .020" per revolution
<b>SPINDLE TRAVEL</b>	9-7/8"
<b>ROTOR WIDTH</b>	1-3/4"
<b>DRUM DIAMETER</b>	6 to 28"
<b>ROTOR DIAMETER</b>	17"
<b>DRUM / ROTOR WEIGHT</b>	150 lbs. with standard Arbor 250 lbs. with 1-7/8" Arbor
<b>MOTOR</b>	1 HP, 115V, 60HZ, 1PH (Other Voltage Available)
<b>SHIPPING WEIGHT</b>	712 lbs.

## RELS 2000XL STANDARD ADAPTER SET

SVI Part #	Description
RM-10437	Truck Backing Plate 7.40"OD
RM-10440A	Sm. Truck Cone 4.125" x 5.25"
RM-10440B	Lg. Truck Cone 5.125" x 6.25"
RM-10435	Lg. Backing Plate 6.75"OD
RM-10439	Lg. Cup w/ Built-in-Spr. 6.75"OD
RM-10436	Sm. Backing Plate 5.25"OD
RM-10438	Sm. Cup w/ Built-in-Spr. 5.25"OD
RM-44782	DbI. Tapered Collet Set of 2
RM-44780	DbI. Tapered Collet Set of 5
RM-44301	Locator
RM-44303B	Lg. Centering Cone 3.125" x 4.25"
RM-44303A	Sm. Centering Cone 2.125" x 3.25"
RM-44309	Combination Nut & Spacer
RM-25110	Spanner Wrench



SVI Part #	Description
RM-44140	Bell Clamp 4.25"OD
RM-44001	1" Cone 1.187" x 2.25"
RM-40160	Step adapter 1" x 2"
RM-44500	Spring
RM-44102	2" Spacer
RM-40096	Self-Aligning Spacer
RM-40161	1/2" Spacer

SVI Part #	Description
RM-11486	Drum Silencer
RM-40144	Large Wrench
RM-40145	Small Wrench
RM-11488V	Universal Silencer
RM-29349V	Rubber Silencer (1)
RM-41003V	Rubber Silencer (1)
RM-40194	Safety Shield

P  
a  
g  
e  
4

## Improve your Ammco® Brake Lathe with these great products from SVI / RELS

### 3000 Conversion & Upgrade Kit

Turn that old style drum lathe into a Modern Combination Brake Lathe

It will also eliminate chatter and vibration from your lathe which will allow you to machine a rotor in less than three minutes and get a fantastic finish.

Order **RM-45152**

### 4000 Conversion & Upgrade Kit

Gives you variable speed capability for a fraction of the cost of a new lathe.

Our best-selling Gearbox is now available for a dramatically reduced price. This will allow your lathe to have a variable rotor speed function®. It also gives a one cut capability to any Ammco 4000 lathe, no matter how old the lathe is!

**Gearbox Alone** • Order **RM-40074** (Ref 7751, 907751)

**Gearbox, Pulleys & Belt** • Order **RM-50000**

RM-50000  
 Pictured



### 7000 Conversion & Upgrade Kit

Gets rid of the old leaky feed mechanism

With our new gearbox and crossfeed, you have an easy conversion of the 7000 brake lathe.

This kit includes the gearbox and pulleys, the crossfeed, and a plate to cover up the hole. You get rid of the old, leaky high maintenance power takeoff and end up with a great lathe that will amaze you with its speed and capability.

Order **RM-55700**

**GREAT PRICING • GREAT SELECTION • FAST SHIPPING!**

*Need a new brake lathe? Try the RELS 2000 or 2000XL.*

Brake Lathe Repair Parts for Ammco® Accu-Turn, Ranger, RELS, others are one call away for most makes and models.



3 Ready-Ship Warehouses: Baltimore • Chicago • Los Angeles



Call Today: 800-321-8173



# Brake Lathe Bits *Don't see what you need? Give us a call.*

Bits are pictured individually; however, some are only available in multi-packs. See quantity listed in chart.



**Positive Rake**

**Negative Rake**

Hole Size

Height  
Thickness

**RM-45010M-10**  
**Round Tool Bit**  
(Ref 45010-10 / 940610)

Lathe / Model	Ref #	Rake	Order SVI Part #	Quantity	Description
Accu-Turn 7700, 8910, 8911, 8920, 8922, 8944, 8989 All Disc / Drum Lathes	433796 / 433795	Positive	RM-45518-10	10	
Accu-Turn 7700, 8910, 8911, 8920, 8922, 8944, 8989 All Disc / Drum Lathes	433796 / 433795	Positive	BL-30020P	10	Premium Grade
Accu-Turn 8750 & 8800 On Car Lathe	878051 / 878052	Negative	BL-30021	10	
All Tool 747	3331	Negative	Call	10	
All Tool	45528	Positive	RM-45528	1	
Ammco 1000, 2002, 3000, 4000, 4100, 7500, 7700	6914	Negative	RM-45001-10	10	
Ammco 1000, 2002, 3000, 4000, 4100, 7500, 7700	6914-10T	Negative	RM-72283	10	Premium Thick
Ammco	40410	Positive	RM-45020-10	10	1/8" Thick
Ammco	40610	Round	RM-45010M-10	10	
Ammco 3850	6918	Positive	RM-45017M	1	
Ammco 3850	6918	Positive	RM-45017M-10	10	
Ammco 4000, 7000	7681	Positive	RM-45002	1	
Ammco 4000, 7000	7681	Positive	RM-45002-10	10	
Ammco 4000, 7000	n/a	Positive	RM-45016M	1	
Ammco 4000, 7000	n/a	Positive	RM-45016M-10	10	
Ammco (Use with BL-30028 / OE 9695 Tool Holder)	5677 / 905677	Positive	RM-45018M-10	10	Heavy Duty
FMC/John Bean/Snap-On 505 Car Lathe	90817	Negative	RM-45001-10	10	
FMC/John Bean/Snap-On 505 Car Lathe	91212	Positive	BL-30022	10	Carbide
FMC/John Bean/Snap-On 600 & 700 Series	90487, 90488	Positive	RM-45020-10	10	1/8" Thick
FMC/John Bean/Snap-On 600 & 700 Series	90327	Positive	RM-45016M	1	
FMC/John Bean/Snap-On 600 & 700 Series	90327	Positive	RM-45016M-10	10	
FMC/John Bean/Snap-On 800 Series Rotors	92090	Positive	RM-29687-10	10	
FMC/John Bean/Snap-On 800 Series Drums	92091	Positive	RM-24176-10	10	
FMC	45520	Positive	RM-45520M-10	10	
Hunter	45001	Negative	RM-45001-10	10	
Hunter	302-07-167	Positive	RM-29687-10	10	
Kwik-Way BDL, CDL, NDL	109-1092-23	Positive	RM-42365-10	10	(Alt. Ref 109109223)
Kwik-Way	109-6900-20	Round	RM-45010M-10	10	
Kwik-Way	109-1092-32	Positive	Call	10	32° Radius
Hofmann / RJ West 401	722834	Positive	Call	10	
Hofmann / RJ West 660	3331	Negative	Call	10	
Hofmann / RJ West	W139	Positive	RM-45020-10	10	1/8" Thick
Hofmann / RJ West	W139	Positive	RM-45520M-10	10	

Page 6

# Brake Lathe Bits *Don't see what you need? Give us a call.*

Lathe / Model	Ref #	Rake	Order SVI Part #	Quantity	Description
Performance	3340 / 3354	Negative	RM-45001-10	10	
Performance	8712	Positive	RM-45020-10	10	1/8" Thick
Performance 66, 6600, 7100, 7200, 7600	3331	Negative	Call	10	
Performance 66, 6600, 7100, 7200, 7600	8711	Positive	RM-45002-10	10	For models with Positive Rake Holder, Drum Tip
Procut	50-742	Positive	BL-47001	10	
Ranger RL-8500	5150099	Positive	RM-45016M	1	
Ranger RL-8500	5150099	Positive	RM-45016M-10	10	
RELS 2000	45001	Negative	RM-45001-10	10	
RELS	45020	Positive	RM-45020-10	10	1/8" Thick
RELS 204 Series	24176	Positive	RM-24176-10	10	
RELS 204 Series	29687	Positive	RM-29687-10	10	
RELS 504 Series	42365	Positive	RM-42365-10	10	
RELS	45010 / 940610	Round	RM-45010M-10	10	
RELS 2000 Rotor & Drum Insert	45016	Positive	RM-45016M	1	
RELS 2000 Rotor & Drum Insert	45016	Positive	RM-45016M-10	10	
RELS 2000 Rotor	45021	Positive	RM-45021-10	10	Coated
RELS 2000 Rotor	45022	Negative	RM-45022	1	Coated
RELS (Use with BL-30028 / OE 9695 Tool Holder)	45018	Positive	RM-45018M-10	10	Heavy Duty
Snap-On YA180, YA281	BTK10A	Positive	RM-42365-10	10	
Star 1776	CB60	Negative	Call	10	
Van Norman	866564	Positive	RM-29687-10	10	
Van Norman	65001	Positive	RM-24176-10	10	
EXTRA SCREWS (10-Pack) for 6914, 6918, 7681	6499 / 45019		RM-45019	10	For RM-45001, 45017, 45002



RM-45001-10 (10-Pack) **NEGATIVE RAKE**  
**Ammco** (Ref 6914 / 906914)  
**Accu-Turn** (Ref 878051)  
**FMC/John Bean/Snap-On** (Ref 90817)  
**Hunter** (Ref 45001)  
**Performance** (Ref 3340 / 3354)  
**RELS** (Ref 45001)  
**SVI** (Ref BL-30002-10)

RM-45518-10 (10-Pack) **POSITIVE RAKE**  
**Accu-Turn** (Ref 433796 / 433795, BL-30020)

RM-45020-10 (10-Pack) **POSITIVE RAKE**  
**POSITIVE RAKE**  
**Ammco** (Ref 40410)  
**FMC/John Bean/Snap-On** (Ref 90487, 90488)  
**Hofmann/RJ West** (Ref W139)  
**Performance** (Ref 8712)  
**RELS** (Ref 45020)

# Tip / Tool Holders *Don't see what you need? Give us a call.*

For Lathe	Model	Ref #	Description	Order SVI Part #
Accu-Turn RELS		433779 / 43379	Short Pos. Rake RH Tool Holder For Pass. Car Drums or Flywheels Use Bits: RM-45518-10	RM-43379
Accu-Turn RELS		434286	Zero Angle Pos. Rake Tool Holder For Rotors or Flywheels Use Bit: RM-45518-10	RM-43428
Accu-Turn FMC Hofmann	Fits All Combination Lathes 600, 601, 700, 701, RotoTruer Perfect 400	433764 (43374) 433763 (43373)	For Drums / Rotors / Flywheels 3/8" x 3/8" x 2-3/4" Use Bits: RM-45518-10 and Positive Rake Tips	RM-43374 (LH) RM-43373 (RH)
Accu-Turn Ammco FMC/John Bean RELS	For Curved Rotors with a flange	434057 / 434056 90489L / 90489R 8027164 45031 / 45030	Curved Tool Holder For Rotors 3/8" x 3/8" x 3" Use Bits: RM-45020-10 Positive Rake Tips <i>(Ideal for Foreign Car Hubs)</i>	RM-45031 (LH) RM-45030 (RH)
Ammco All-Tool Hofmann Performance	1000, 2002, 3000, 4000, 41000, 7700 747 660 6600, 7200, 7100, 7600	9872 / 909872	 Bits are replaceable For Drums 1/2" x 3/8" x 2-1/4" Use Bits: RM-45001-10 Negative Rake Tips	RM-45007
Ammco All-Tool Hunter Performance RELS	3000, 3850, 4000, 4100, 7000 & 6900, 6950 Twin Cutters 747 6600, 7200, 7100, 7600	10701 / 10702 91701 / 910702 5588 / 5586 221-582-2 / 221-581-2 8588 / 8586 45005 / 45006	 Bits are replaceable For Rotors 3/8" x 3/8" x 1-7/8" Use Bits: RM-45001-10 Negative Rake Tips <i>(RM-45006 Pictured)</i>	RM-45005 (RH) RM-45006 (LH)
Ammco RELS	3000, 3850, 4000, 4100, 7000 & 6900, 6950 Twin Cutters	25969 / 925969 25968 / 925968 45013 / 45012	 Bits are replaceable For Rotors 3/8" x 3/8" x 1-7/8" Use Bits: RM-45002-10 & RM-45017 Positive Rake Tips <i>(pic)</i>	RM-45013 (LH) RM-45012 (RH)
Ammco RELS	3850	5390 / 905390 45028	Bits are replaceable For Drums 3/8" x 3/8" x 2-3/16" Use Bits: RM-45002-10 & RM-45017 Positive Rake Tips	RM-45028
Ammco RELS	2002, 3000, 4000, 4100, 7700	5392 / 905392 45029	Bits are replaceable Small Drum Tool 3/4" x 9/16" x 5" Use Bits: RM-45002-10 Positive Rake Tips	RM-45029
Ammco	7692 Right Angle Holder (Replaces Ammco Duplex Tool Bit) For 9381 Facing & Grinding Tool	7692 / 907692	Bits are replaceable For Flywheels 3/8" x 3/8" x 1-7/8" Use Bits: RM-45001-10 Negative Rake Tips	BL-30026
Ammco	1000, 7900 Twin Cutter	25762 / 925762 25761 / 925761	For Drums / Rotors 1" x 1-5/8" x 2" Use Bits: RM-45001-10 Negative Rake Tips	BL-10336 (LH) BL-10348 (RH)
Ammco HD	5000, 6000, 6002	9695 / 909695	Bits are replaceable For Drums 5/8" x 5/8" x 4" (5/8" shank); Use Bits: RM-45018M	BL-30028
Ammco RELS	For 6950 Twin Cutter	 RM-45004 10650 45004	Left Handed Tool Holder Holds RM-45006 (OE 10701)	RM-45004 (LH)
Ammco RELS	For 6950 Twin Cutter	 RM-45003 10651 45003	Right Handed Tool Holder Holds RM-45005 (OE 10701)	RM-45003 (RH)



# Tip / Tool Holders *Don't see what you need? Give us a call.*

Lathe	Model	Ref #	Description	Order SVI Part #
Ammco RELS	3860, 4000, 7500 & RELS 45701 lathe	6999 / 45701	Bits are replaceable Tool Bit Set (LH and RH) (RM-45005 and RM-45006) Negative Rake	RM-45701
Ammco RELS	Disc Cutting Ammco Lathe and RELS 45702 Lathe	7999 / 45702	Bits are replaceable Tool Bit Set (LH and RH) (RM-45013 and RM-45012) Positive Rake	RM-45702
Ammco		4114 / 904114	Holder with brazed-on bit For Drum Machining	BL-30029
Ammco		4118 / 904118	Holder with brazed-on bit	BL-30030
Ammco		4724	LH Holder with brazed-on bit	BL-30031
Ammco Performance		4725 8585	RH Holder with brazed-on bit	BL-30032
Ammco		4726 / 4728	LH Holder with brazed-on bit	BL-30033
Ammco	5000, 6000	5720 / 905720	Carbide-Tipped Tool Bit RH Holder with brazed-on bit 5/8" shank	RM-45026
Ammco	5000, 6000	5725 / 905725	Carbide-Tipped Tool Bit with brazed-on bit	RM-45027
Ammco	All with 6900 & 6950 Twin Cutter	40609 / 940609 40608 / 940608	Tool Holder Assembly for Round Bit, Positive Rake	RM-45008 (LH) RM-45009 (RH)
All Tool Hofmann Kwik-Way Performance RELS	660	109-6900-30 / 109-6900-25  45008 / 45009		
Hunter		337L	Hunter-Style LH Tool Holder for Use with Micro Mini Bits	BL- 20211
Hunter		337R	Hunter-Style RH Tool Holder for Use with Micro Mini Bits	BL- 20212
John Bean RELS		90491 90490	Positive Rake Tool Holder Use Bits: RM-45020-10	BL-30050 (LH) BL-30049 (RH)
John Bean RELS	90644 RotorTruer	90494 90495	Positive Rake Tool Holder Use Bits: RM-45020-10	BL-30051 (LH) BL-30052 (RH)
RELS	204S, 204C	20407	Positive Rake Drum Tool Holder	RM-20407
RELS	504	3836L 3836R	Positive Rake Tool Holder Use Bits: RM-42365-10	RM-3836L (LH) RM-3836R (RH)
RELS	304	30407	304 Tool Holder	RM-30407
RELS		45011	RH Tool Holder for Round Bit, Positive Rake Use Bits: RM-45010M-10	RM-45011
RELS		45015 45014	Tool Holder / Use Bits: RM-45016M Positive Rake	RM-45015 (LH) RM-45014 (RH)
RELS		45035	Drum Tool Holder Positive Rake / Use Bits: RM-45016M	RM-45035

## Twin Cutters

### Twin Cutters for Ammco<sup>®</sup>, RELS, and Ranger Brake Lathes!

Order RM-40095 Series Twin Cutters

Specify Negative, Positive Rake Bits, or RELS Bits

FOR BRAKE LATHE MODELS:

Rels: 2000, 2000XL

Ammco<sup>®</sup>: 4000, 4100, 7500

Ranger: RL-4500, RL-8500, RL-8500XL



Call SVI RELS today  
 for new replacement  
 Twin Cutter for your  
 Brake Lathe

## Wrenches



Double Open End Large  
 Wrench 1-1/4" x 1-1/16"  
**For Ammco<sup>®</sup>:** 1000, 3000, 3850,  
 4000, 4100, 7000, 7700

Order: **RM-40144**  
 (Ref 3022, 903022, 40144)

Arbor Nut Wrench  
 1-7/8" x 2-1/2"  
**For Ammco<sup>®</sup>\***

Order: **BL-20123** (Ref 5722, 905722)

Double Ended Wrench  
**For Ammco<sup>®</sup>:** 700, 710

Order: **BL-20147** (Ref 27077, 927077)



Double Open End  
 Small Wrench  
 5/16" x 3/8"

**For Ammco<sup>®</sup>:** 1000, 3000, 3850,  
 4000, 4100, 7000, 7700

Order: **RM-40145**  
 (Ref 3218, 903218, 40145)

Spanner Wrench  
**For Ammco<sup>®</sup>, Van Norman,  
 RELS and others**

Order: **RM-25110**  
 (Ref 25110, 125110)

## Mobil Mobilith Grease

- Tire Changers • Brake Lathes
- Ideal for use when rebuilding lubrication equipment such as Graco and Lincoln
- Excellent lubricant for automotive lifts, especially cassette-style in-ground lifts
- Awesome for use when lubricating in-ground lift equalizer assemblies and on Weaver and SVI upper bearings
- Use anytime you are rebuilding anything



**Call SVI to  
 Stock Up  
 Today!**

SVI#	DESCRIPTION
BL-MB-1500	Mobil Mobilith SHC 1500 - red
BL-MB-1500C	Mobil Mobilith SHC 1500 - red (case/10)
BL-MB-0220	Mobil Mobilith SHC 220 - red
BL-MB-0220C	Mobil Mobilith SHC 220 - red (case/10)
BL-MB-0220-PM	Mobil Mobilith SHC 220 PM - white
BL-MB-0220-PMC	Mobil Mobilith SHC 220 PM - white (case/10)

## Arbors



**1" Arbor for Ammco**  
 RM-42021 (Ref 3101, 903101, 42021, BL-10020)



**11/16" Arbor Only for Ammco**  
 RM-40093 (Ref 3122, 903122, 40093, BL-10099)



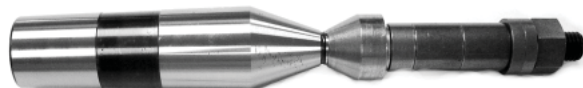
**11/16" Arbor Set for Ammco**  
 RM-40094 (Ref 9708, 909708)



**1" Arbor for Accuturn**  
 BL-40007 (Ref 433701)



**1" Arbor for All Tool, Performance, Hunter and Precision GT**  
 BL-46001  
 (Ref All Tool 5542, Performance 8542, Hunter RP8-9019)



**11/16" Arbor Kit for All Tool / Performance / Precision GT**  
 BL-46000 (Ref 5531 / 8531)



**11/16" Arbor for All Tool / Performance / Precision GT**  
 BL-46010 (Ref 5544)



**1" Arbor for FMC / John Bean**  
 BL-50005 (Ref 90043)



**Arbor for Hunter**  
 BL-20159 (Ref 97-422-2)



**1" Arbor Only for Rels and Ranger**  
 RM-40080 (Ref 40080)



**11/16" Arbor Only for Rels**  
 RM-40163X (Ref 40163-X) • Also see RM-40163



**1" Arbor Only for Van Norman, Rels**  
 BL-60002 (Ref Van Norman 865656)



**1" Arbor Set for Van Norman, Rels**  
 BL-60000 (Ref Van Norman 204042 / 20442 / Rels 24826)



**1" Arbor Set for Van Norman, Rels (3" Longer)**  
 BL-60000-3 (Ref Van Norman 20442 EXT)



**2" Arbor Only (Extended Version - 3" Longer) for Van Norman, Rels**  
 BL-65015 (Ref Van Norman 869186)  
 (Shorter Version is Obsolete)



**1" Arbor for Hofmann / RJ West**  
 BL-70000 (Ref Hofmann CL538-1)

# RELS Adapter Plus System

The simple-to-use RELS Adapter Plus System is more economical than the popular Ammco®\* Adaptek System

## RELS Adapter+Plus

### RM-47315 Deluxe Adapter Plus System *(includes all parts)*

- Does almost all of your hubless drum and rotor work.
- Eliminates the need for conventional bell clamps and cones.
- Adds right on to most hubless adapters.
- Works with any model brake lathe with 1" arbor shaft.
- Built-In Springs—Avoid the problem of lost springs!

The complete set will do almost all hubless work including:

- Passenger Car Hubless Drums and Rotors  
2-5/32" to 4" Center Holes
- All Composite Rotors: Trucks and Cars
- Light and Medium Truck Drums and Rotors  
4" to 6-1/4" Center Holes

### RM-47315 Deluxe Adapter Plus System Includes:

A	RM-10435	Large Backing Plate 6.75"OD (171.45mm)
B	RM-10436	Small Backing Plate 5.25"OD (133.35mm)
C	RM-10437	Truck Plate 7.40"OD (187.96mm)
D	RM-10438	Sm. Adapter Cup with Spring 5.25"OD (133.35mm)
E	RM-10439	Lg. Adapter Cup with Spring 6.75"OD (171.45mm)
F	RM-10440A	Sm. Truck Cone 4.125" x 5.25" (104.77 x 133.35mm)
G	RM-10440B	Lg. Truck Cone 5.125" x 6.25" (130.18 x 158.75mm)
H	RM-44301	Locator Fits on 1" Arbor
I	RM-44303A	Sm. Hubless Adapter Cone 2.125" x 3.25" (53.97 x 82.55mm)
J	RM-44303B	Lg. Hubless Adapter Cone 3.125" x 4.25" (97.37 x 107.95mm)
K	RM-44309	Nut & Spacer Combination
L	RM-25110	Spanner Wrench



### Popular Adapter Plus Sets:

RM-47300	<b>Hubless Adapter Set</b> Includes Parts H, I, J, K, & L	
RM-47381	<b>Light &amp; Medium Truck Set</b> Includes Parts C, F & G	
RM-47373	<b>Deluxe Drum &amp; Composite Rotor Set</b> Includes Parts A, B, D, E, H, I, J, K & L	

### Other Adapter Plus Sets Available:

RM-47365	<b>Small Drum &amp; Composite Rotor Set</b> Includes Parts B & D
RM-47366	<b>Deluxe Small Drum &amp; Composite Set</b> Includes Parts B, D, H, I, J, K & L
RM-47369	<b>Large Drum &amp; Composite Rotor Set</b> Includes Parts A & E
RM-47370	<b>Deluxe Large Drum &amp; Composite Kit</b> Includes Parts A, E, H, I, J, K & L
RM-47375	<b>Drum &amp; Composite Rotor Set</b> Includes Parts A, B, D & E
RM-47379	<b>Deluxe Light &amp; Medium Truck Set</b> Includes Parts C, F, G, H, I, J, K & L
RM-47317	<b>Adapter Plus System</b> Includes Parts A, B, C, D, E, F & G



# Interchangeable with Ammco®\* Adaptek Style System Quality Adapter System for Hubless Rotors & Drums



Parts available individually and as part of a set.

*For Ammco  
and more*

SVI #	Ref #	Description	RM-49310 Ref 9310 / 909310 Hubless Auto & Lt Truck	RM-49311 Ref 9311 / 909311 Hubless Auto	RM-49312 Ref 9312 / 909312 Hubless Lt Truck	RM-49313 Ref 9313 / 909313 Hubless Truck	RM-49314 Ref 9314 / 909314 Hubless Odd Conf. Rotors
RM-49310	9310 / 909310	1" Adapter Set (see above) 1.84"–3.85" Cars & Lt. Trucks up to Half-Ton	SET				
RM-49311	9311 / 909311	1" Adapter Set (see above) 1.84"–3.3" for Passenger Car		SET			
RM-49312	9312 / 909312	1" Adapter Set (see above) 3.2"–3.85" for Trucks up to Half-Ton			SET		
RM-49313	9313 / 909313	1" Adapter Set (see above) for 3/4 and 1-Ton Trucks				SET	
RM-49314	9314 / 909314	1" Adapter Set (see above) Odd Center Holes					SET
A	RM-40601 29572 / 929572	1" Adapter Base 4.80" OD (121.92mm)	1	1			1
B	RM-44002 29573 / 929573	Centering Cone 1.85" x 3.40" (46.99mm x 86.36mm)	1	1			1
C	RM-40603 29574 / 929574	Arbor Spacer 2" Long (50.08mm)	2	2			3
D	RM-40605 29575 / 929575	Auto Flange Plate 5.425"	1	1			
E	RM-40606 29576 / 929576	Large Light Truck Flange Plate 7.25" OD (184.15 mm)				1	
F	RM-40608 29577 / 929577	Large Light Truck Flange Plate 6.625"OD (168.27mm)				1	
G	RM-40607 29578 / 929578	Light Truck Composite Flange Plate 6.75" OD (171.45mm)	1		1		
H	RM-40610 29579 / 929579	Automotive Centering Cone 1.84" x 2.2" (46.74 x 55.88mm)	1	1			
I	RM-40611 29580 / 929580	Automotive Centering Cone 2.12" x 2.48" (53.85 x 62.99mm)	1	1			
J	RM-40612 29581 / 929581	Automotive Centering Cone 2.38" x 2.75" (60.45 x 69.85mm)	1	1			
K	RM-40613 29582 / 929582	Automotive Centering Cone 2.65" x 3.03" (67.31 x 76.96mm)	1	1			
L	RM-40614 29583 / 929583	Automotive Centering Cone 2.93" x 3.3" (74.42 x 83.82mm)	1	1			
M	RM-40615 29584 / 929584	Lt. Truck Centering Cone 3.2" x 3.58" (81.28 x 90.93mm)	1		1		
N	RM-40616 29585 / 929585	Lt. Truck Centering Cone 3.48" x 3.85" (88.39 x 97.79mm)	1		1		
O	RM-40621 29586 / 929586	Large Lt. Truck Centering Cone 3.75" x 4.13" (95.25 x 104.20mm)				1	
P	RM-40617 29587 / 928587	Large Lt. Truck Centering Cone 4.03" x 4.4" (102.36 x 111.76 mm)				1	
Q	RM-40618 29588 / 929588	Large Lt. Truck Centering Cone 4.3" x 4.68" (109.22 x 118.72 mm)				1	
R	RM-40619 29589 / 929589	Large Lt. Truck Centering Cone 4.58" x 4.95" (116.33 x 125.73mm)				1	
S	RM-40620 29590 / 929590	Large Lt. Truck Centering Cone 4.85" x 5.23" (123.19 x 132.84mm)				1	
T	RM-40622 29727 / 929727	Centering Cone 4.75" x 5.5" (120.65 x 139.70mm)					
U	RM-40630 29591 / 929591	Centering Cone Spring	1	1	1	1	1

# Interchangeable with Ammco®\* Adaptek Style System Quality Adapter System for Hubless Rotors & Drums

	<p><i>For Ammco and more</i></p> <p><b>1" Adapter Set</b>  <i>For Cars and Light Truck to 1/2 Ton</i></p> <p>Ref 9310, 909310, 49310                  Order <b>RM-49310</b>                  Includes Parts: A, B, C (qty 2), D, F, H, I, J, K, L, M, N, U</p>
	<p><b>1" Adapter Set</b>  <i>For 3/4 and 1 Ton Light Truck</i></p> <p>Ref 9313, 909313, 49313                  Order <b>RM-49313</b>                  Includes Parts: E, G, O, P, Q, R, S, U</p>
	<p><b>1" Hubless Adapter Set</b>  <i>For Passenger Cars</i></p> <p>Ref 9311, 909311, 49311                  Order <b>RM-49311</b>                  Includes Parts: A, B, C (qty 2), D, H, I, J, K, L, U</p>
	<p><b>1" Hubless Adapter Set</b>  <i>For Trucks Up to 1/2 Ton</i></p> <p>Ref 9312, 909312, 49312                  Order <b>RM-49312</b>                  Includes Parts: F, M, N</p>
	<p><b>1" Hubless Adapter Set</b>  <i>For Odd Center Holes</i></p> <p>Ref 9314, 909314, 49314                  Order <b>RM-49314</b>                  Includes Parts: A, B, C (qty 3)</p>

# 1" Solid Cones for Hubless Drums and Rotors

A	RM-44000	3902 / 903902 / 44000	Centering Cone	1.062" x 1.75" (26.97 x 44.45mm)	2002, 3000, 4000, 4100, 7000, 7700, others
B	RM-44001*	3903 / 903903 / 44001	Centering Cone	1.187" x 2.25" (30.15 x 57.15mm)	2002, 3000, 4000, 4100, 7000, 7700, others
C	RM-44002		Centering Cone	1.85" x 3.400" (30.16 x 86.36mm)	2002, 3000, 4000, 4100, 7000, 7700, others
D	RM-44004		Centering Cone	1.703" x 2.750" (43.26 x 69.85mm)	2002, 3000, 4000, 4100, 7000, 7700, others
E	RM-44006		Centering Cone	2.328" x 2.968" (59.13 x 75.39mm)	2002, 3000, 4000, 4100, 7000, 7700, others
F	RM-44007*		Centering Cone	2.650" x 3.224" (67.31 x 81.89mm)	2002, 3000, 4000, 4100, 7000, 7700, others
G	RM-44008		Centering Cone	2.890" x 3.500" (73.41 x 88.90mm)	2002, 3000, 4000, 4100, 7000, 7700, others
H	RM-44010		Centering Cone	3.421" x 4.031" (86.89 x 102.39mm)	2002, 3000, 4000, 4100, 7000, 7700, others
I	RM-44012		Centering Cone	3.875" x 4.438" (98.42 x 112.72mm)	2002, 3000, 4000, 4100, 7000, 7700, others
J	RM-44014		Centering Cone	4.124" x 4.969" (104.74 x 126.21mm)	2002, 3000, 4000, 4100, 7000, 7700, others
K	RM-44015*		Centering Cone	4.656" x 5.250" (118.26 x 133.35mm)	2002, 3000, 4000, 4100, 7000, 7700, others
L	RM-44016		Centering Cone	4.875" x 5.500" (123.82 x 139.70mm)	2002, 3000, 4000, 4100, 7000, 7700, others

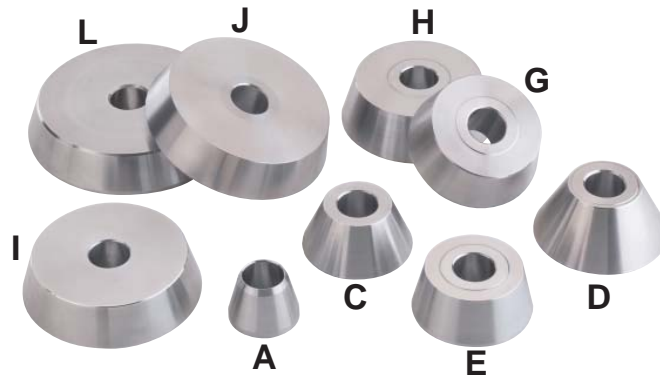
\*Not Pictured. Order separately if not included in Kit.

## Set of 9 Solid Centering Cones ▶

1.062" x 5.500" (26.97 x 139.70mm)

(Includes A, C, E, D, G, H, J, L, I)

Order **RM-44740** (Ref 903900, 3900)



## Set of 2 Solid Centering Cones

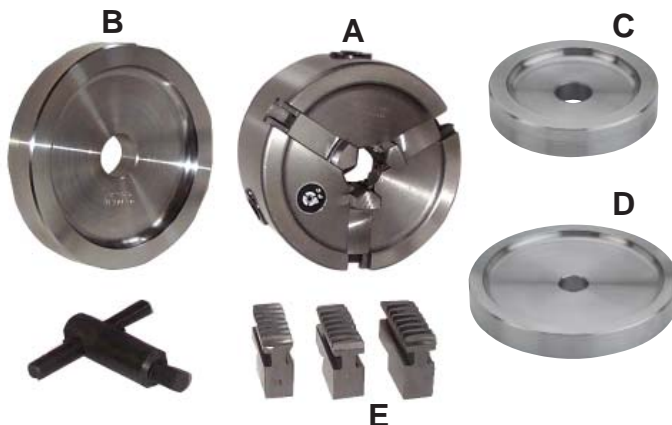
1.062" x 2.25" (26.97 x 57.15mm)

(Includes A and B)

Order **BL-20116** (Ref 903900, 3900)

# Three-Jaw Chuck System for Hubless Rotors & Drums

## Complete Quick-Chuck Set • **RM-49890**



- Works on all 1" arbors.
- Holds drums and rotors firmly, eliminating runout.
- Mounts almost all foreign and domestic applications.
- Works on center holes 2 1/8" to 3 3/4".
- Versatile, simple, and easy to use.
- Standard set includes chuck and backing plate.

### RM-49890 Complete Quick-Chuck Set

A	RM-49880	Quick-Chuck & Standard Plate
B	RM-49881	Standard Backing Plate 5.25"OD (133.35mm)
C	RM-49882	Small Backing Plate 4.75"OD (120.65mm)
D	RM-49886	Large Backing Plate 7.25"OD (184.15mm)
E	RM-49887	Truck Jaws (Center Holes to 5 3/4")

P  
a  
g  
e

# 1" Solid Double Tapered Collets for Hub Type



## Double Tapered Collet Set

Set of 5 with 1" Center Hole

Order **RM-44780**

Ref **9232 / 909232 / 44780**

Includes RM-44040 to RM-44048

SVI #	Ref #	Description	Fits Model #
RM-44780	9232 / 909232 / 44780	Set of 5 Double Tapered Collets (Includes A, B, C, D, E)	1000, 2002, 3000, 4000, 4100, 7000, 7700
A RM-44040	9921 / 909921 / 10476	Double Taper Adapter 1.332" x 1.67"	1000, 2002, 3000, 4000, 4100, 7000, 7700
B RM-44042	9922 / 909922 / 44042	Double Taper Adapter 1.362" x 1.71"	1000, 2002, 3000, 4000, 4100, 7000, 7700
C RM-44044	9192 / 909192 / 44044	Double Taper Adapter 1.711" x 2.073"	1000, 2002, 3000, 4000, 4100, 7000, 7700
D RM-44046	9193 / 909193 / 44046	Double Taper Adapter 2.074" x 2.44"	1000, 2002, 3000, 4000, 4100, 7000, 7700
E RM-44048	9194 / 909194 / 44048	Double Taper Adapter 2.441" x 2.897"	1000, 2002, 3000, 4000, 4100, 7000, 7700



## Double Tapered Collet Set for Trucks

Set of 2 with 1" Center Hole

Order **RM-44782**

Includes RM-44054 and RM-44056

SVI #	Ref #	Description	Fits Model #
RM-44782	9233 / 909233	Set of 2 Double Tapered Collets (1 each of F, G)	Fits Bearing Race Diameters From 2.828" to 3.560"
F RM-44054	9195 / 909195 / 44054	Double Taper Adapter 2.828" x 3.185"	Fits Bearing Race Diameters From 2.828" to 3.560"
G RM-44056	9196 / 909196 / 44056	Double Taper Adapter 3.203" x 3.56"	Fits Bearing Race Diameters From 2.828" to 3.560"

# Special 1" Adapters

## Special Rotor Adapter • RM-10450

Allows you to turn certain 3/4 and 1 Ton rotors by bolting adapter to flange plate and not removing it. Used on Chevy, Ford, and Dodge Trucks plus Ford & Chevy four wheel drive



## Ford F-150 Adapter • RM-49450 (Ref BL-20149)

Designed to mount Ford F-150 rotors from 2004-2007 with trapped bearings.

Consists of 2 pieces.



Machine front rotors with pressed in bearings without having to remove the bearings.

## Sealed Bearing Drive Tool

Allows you to turn this rotor without removing the hub. Stops the rotor from turning onto the arbor.



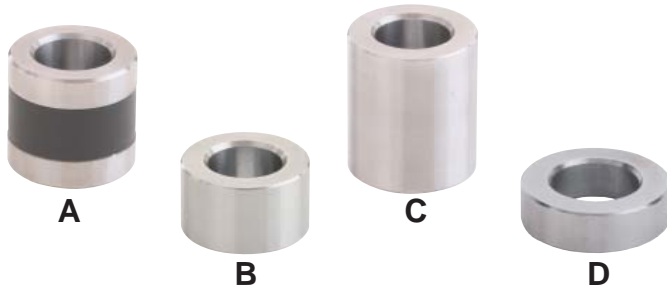
- Drives rotors and drums using the lug bolts without removing pressed-in / sealed bearings
- Works on most rotors and drums with pressed-in / sealed bearings (Honda, Mazda, Nissan, Ford Probe, Toyota vans)

*Fits Any Lathe with 1" Arbor*

**RM-44180**  
(Ref 436271, 8100073, 44180)



## 1" Spacers

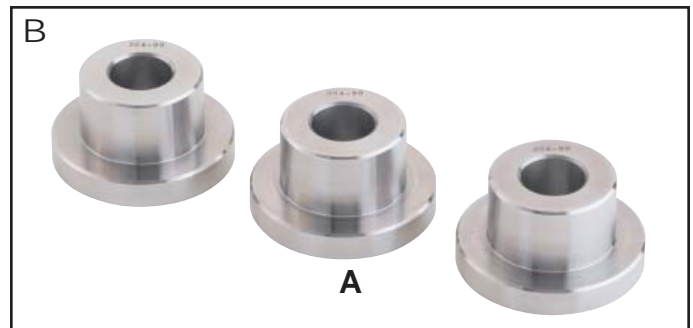


A	RM-40096	Spacer, Self Aligning 1 5/8" Long (41.27mm)
B	RM-44100	Spacer 1" Long (25.4mm)
C	RM-44102	Spacer 2" Long (50.8mm)
D	RM-40161	Spacer 1/2" Long (12.7mm)

## Step Adapters

Your Choice—Individual or Set of 3

A	RM-44120	Step Adapter	1-7/8" to 1" - Individual
B	RM-47120	Step Adapters	1-7/8" to 1" - Set of Three
A	RM-40160	Step Adapter	2" to 1" - Individual
B	RM-47130	Step Adapters	2" to 1" - Set of Three



## Bell Clamps & Spring (1" Center Hole)



Bell Clamp 3.625" OD  
 (92.07mm)  
**For Ammco<sup>®</sup>, RELS and Any Lathe with 1" Arbor Shaft**  
 Order: **RM-44138** (Ref 9489, 909489)



Bell Clamp 6.250" OD  
 (158.75mm)  
**For Ammco<sup>®</sup>, RELS and Any Lathe with 1" Arbor Shaft**  
 Order: **RM-44144**



Bell Clamp 4.250" OD  
 (107.95mm)  
**For Ammco<sup>®</sup>, RELS and Any Lathe with 1" Arbor Shaft**  
 Order: **RM-44140** (Ref 9490, 909490)



Bell Clamp 7.250" OD  
 (184.15mm)  
**For Ammco<sup>®</sup>, RELS and Any Lathe with 1" Arbor Shaft**  
 Order: **RM-44146**



Bell Clamp 5.750" OD  
 (146.05mm)  
**For Ammco<sup>®</sup>, RELS and Any Lathe with 1" Arbor Shaft**  
 Order: **RM-44142**  
 (Ref 3123, 903123, 3109, 903109)



Spring  
 Order: **RM-44500**  
 (Ref 3110, 903110)

## 1" Light Truck Adapter Set



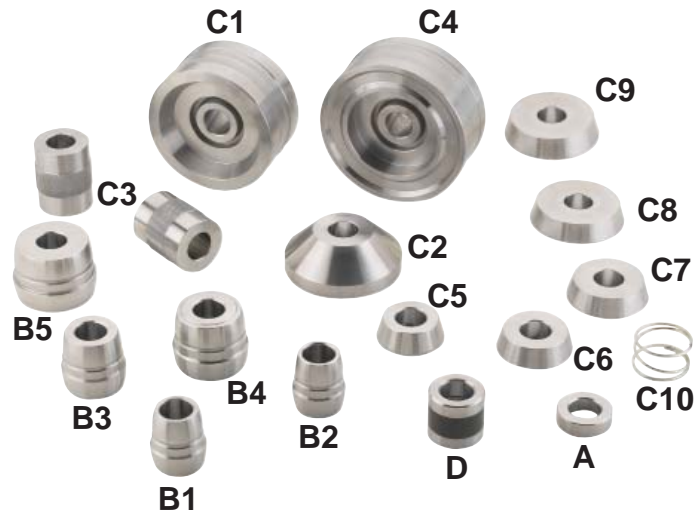
RM-44710	Light Truck Adapter Set (Includes A-F)
A	RM-44146 Bell Clamp 7.25" OD (184.15mm)
B	RM-44144 Bell Clamp 6.25" OD (158.75mm)
C	RM-44012 Centering Cone 3.875" x 4.438" OD (98.43 x 112.73mm)
D	RM-44014 Centering Cone 4.124" x 4.969" OD (104.75 x 126.21mm)
E	RM-44016 Centering Cone 4.875" x 5.50" OD (123.83 x 139.70mm)
F	RM-44500 Spring

*For similar kit with 1-7/8" Hole, ask for RM-45710*

## 1" Brake Lathe Adapter Packages

### PACKAGE A

RM-49001	1" Adapter Set Includes: A, B (Set), C (Set), D
A	RM-40161 1/2" Spacer
B	RM-44780 Set of 5 Dbl. Tapered Collets (Includes B1 thru B5)
B1	RM-44040 Double Tapered Collet 1.332" x 1.670" (33.58 x 42.42mm)
B2	RM-44042 Double Tapered Collet 1.362" x 1.710" (34.59 x 43.43mm)
B3	RM-44044 Double Tapered Collet 1.711" x 2.073" (43.46 x 52.65mm)
B4	RM-44046 Double Tapered Collet 2.074" x 2.440" (52.68 x 61.98mm)
B5	RM-44048 Double Tapered Collet 2.441" x 2.897" (62.00 x 73.58mm)
C	RM-49311 1" Adapter Set for Passenger Cars
C1	RM-40601 29572 1" Adapter Base 4.80"OD (121.92mm)
C2	RM-44002 29573 Centering Cone 1.85" x 3.4" (46.99 x 86.36mm)
C3	RM-40603 29574 Spacer 2.00" Long (50.08mm)
C4	RM-40605 29575 Flange Plate for Autos 5.03"OD (127.76mm)
C5	RM-40610 29579 Centering Cone 1.84" x 2.20" (46.74 x 55.88mm)
C6	RM-40611 29580 Centering Cone 2.12" x 2.48" (53.85 x 62.99mm)
C7	RM-40612 29581 Centering Cone 2.38" x 2.75" (60.45 x 69.85mm)
C8	RM-40613 29582 Centering Cone 2.65" x 3.03" (67.31 x 76.96mm)
C9	RM-40614 29583 Centering Cone 2.93" x 3.30" (74.42 x 83.82mm)
C10	RM-40630 29591 Spring
D	RM-40096 Self Aligning Spacer 1-5/8" Long



### PACKAGE B

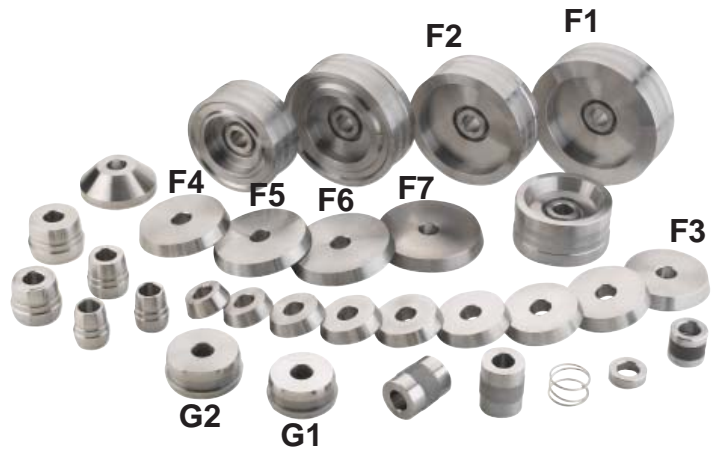


RM-49002	1" Adapter Set Includes:
A	RM-49001 PACKAGE A - See Above
E	RM-49312 Light Truck Set (up to 1/2 Ton) Includes:
E1	RM-40607 29578 Light Truck Flange Plate 6.625"OD (168.27mm)
E2	RM-40615 29584 Centering Cone 3.20" x 3.58" (81.28 x 90.93mm)
E3	RM-40616 29585 Centering Cone 3.48" x 3.85" (88.39 x 97.79mm)

# 1" Brake Lathe Adapter Packages

## PACKAGE C

RM-49003 1" Adapter Set Includes:	
A RM-49002	PACKAGE B (includes A) - See Above
F RM-49313 Light Truck Set (up to 1 Ton) Includes:	
F1 RM-40606 29576	Light Truck Flange Plate 7.25"OD (184.15mm)
F2 RM-40608 29577	Light Truck Flange Plate 6.75"OD (171.45mm)
F3 RM-40621 29586	Centering Cone 3.75" x 4.13" (95.25 x 104.20mm)
F4 RM-40617 29587	Centering Cone 4.03" x 4.40" (102.36 x 111.76 mm)
F5 RM-40618 29588	Centering Cone 4.30" x 4.68" (109.22 x 118.72 mm)
F6 RM-40619 29589	Centering Cone 4.58" x 4.95" (116.33 x 125.73mm)
F7 RM-40620 29590	Centering Cone 4.85" x 5.23" (123.19 x 132.84mm)
G RM-44782 Set of 2 Dbl. Tapered Collets (Includes G1, G2)	
G1 RM-44054	Double Tapered Collet 2.841" x 3.190" (72.16 x 81.03mm)
G2 RM-44056	Double Tapered Collet 3.191" x 3.560" (81.05 x 90.42mm)

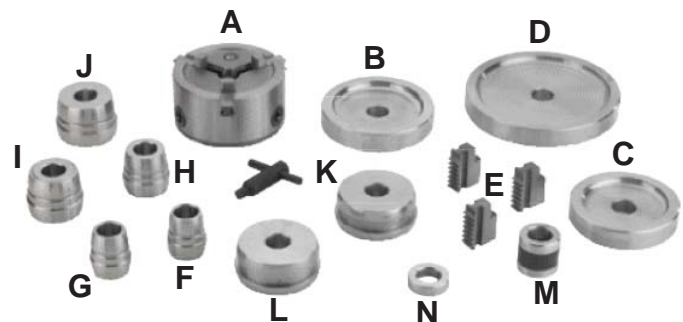


## PACKAGE D

RM-49004 1" Adapter Set Includes:	
A RM-44000	Centering Cone 1.062" x 1.75" (31.75 x 44.45mm)
B RM-44001	Centering Cone 1.187" x 2.25" (30.15 x 57.15mm)
C RM-44002	Centering Cone 1.85" x 3.400" (30.16 x 86.36mm)
D RM-44004	Centering Cone 1.703" x 2.750" (43.26 x 69.85mm)
E RM-44006	Centering Cone 2.328" x 2.968" (59.13 x 75.39mm)
F RM-44008	Centering Cone 2.890" x 3.500" (73.41 x 88.90mm)
G RM-44010	Centering Cone 3.421" x 4.031" (86.89 x 102.39mm)
H RM-44040	Double Tapered Collet 1.332" x 1.670" (33.58 x 42.42mm)
I RM-44042	Double Tapered Collet 1.362" x 1.710" (34.59 x 43.43mm)
J RM-44044	Double Tapered Collet 1.711" x 2.073" (43.46 x 52.65mm)
K RM-44046	Double Tapered Collet 2.074" x 2.440" (52.68 x 61.98mm)
L RM-44048	Double Tapered Collet 2.441" x 2.897" (62.00 x 73.58mm)
M RM-40096	Self Aligning Spacer 1-5/8" Long
N RM-40161	1/2" Spacer
O RM-44138	Bell Clamp 3.625" OD (92.07mm)
P RM-44140	Bell Clamp 4.250" OD (107.95mm)
Q RM-44142	Bell Clamp 5.750" OD (146.05mm)
R RM-44142	Bell Clamp 5.750" OD (146.05mm)
S RM-44500	Spring

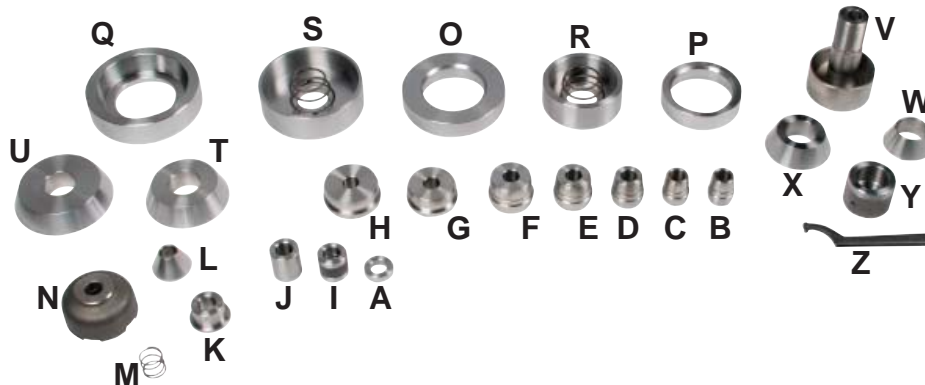


## PACKAGE E



RM-49005 1" Adapter Set Includes:	
A RM-49880	Quick-Chuck & Standard Plate
B RM-49881	Standard Backing Plate 5.25"OD (133.35mm)
C RM-49882	Small Backing Plate 4.75"OD (120.65mm)
D RM-49886	Large Backing Plate 7.25"OD (184.15mm)
E RM-49887	Truck Jaws (Center Holes to 5 3/4")
F RM-44040	Double Tapered Collet 1.332" x 1.670" (33.58 x 42.42mm)
G RM-44042	Double Tapered Collet 1.362" x 1.710" (34.59 x 43.43mm)
H RM-44044	Double Tapered Collet 1.711" x 2.073" (43.46 x 52.65mm)
I RM-44046	Double Tapered Collet 2.074" x 2.440" (52.68 x 61.98mm)
J RM-44048	Double Tapered Collet 2.441" x 2.897" (62.00 x 73.58mm)
K RM-44054	Double Tapered Collet 2.841" x 3.190" (72.16 x 81.03mm)
L RM-44056	Double Tapered Collet 3.191" x 3.560" (81.05 x 90.42mm)
M RM-40096	Self Aligning Spacer 1-5/8" Long
N RM-40161	1/2" Spacer

# 1" Brake Lathe Adapter Sets



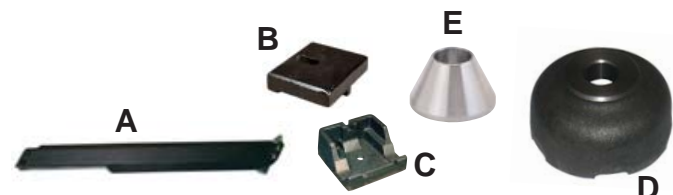
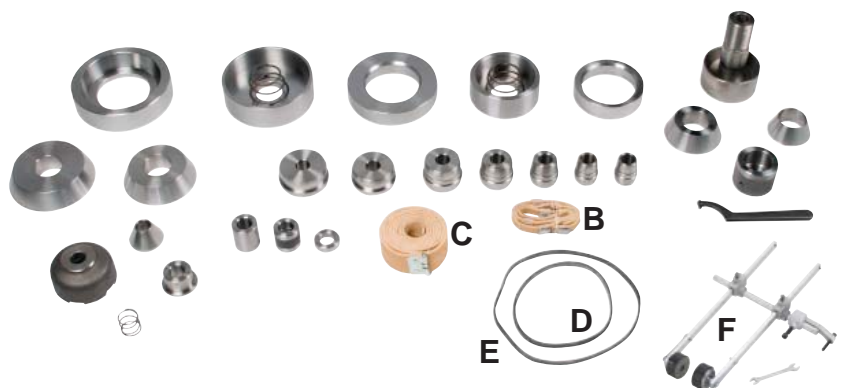
**RM-49010 Adapter Plus Lathe Package (Adapters Only) Includes:**

A	RM-40161	1/2" Spacer
B	RM-44040	Double Tapered Collet 1.332" x 1.670" (33.58 x 42.42mm)
C	RM-44042	Double Tapered Collet 1.362" x 1.710" (34.59 x 43.43mm)
D	RM-44044	Double Tapered Collet 1.711" x 2.073" (43.46 x 52.65mm)
E	RM-44046	Double Tapered Collet 2.074" x 2.440" (52.68 x 61.98mm)
F	RM-44048	x2 Double Tapered Collet 2.441" x 2.897" (62.00 x 73.58mm)
G	RM-44054	x2 Double Tapered Collet 2.841" x 3.190" (72.16 x 81.03mm)
H	RM-44056	x2 Double Tapered Collet 3.191" x 3.560" (81.05 x 90.42mm)
I	RM-40096	Self Aligning Spacer 1-5/8" Long
J	RM-44102	2" Spacer
K	RM-40160	Step Adapter 1" to 2"
L	RM-44001	Centering Cone 1.187" x 2.25" (30.15 x 57.15mm)
M	RM-44500	Spring

N	RM-44138	Bell Clamp 3.625"OD.(92.07mm)
O	RM-10435	Large Backing Plate 6.75"OD (171.45mm)
P	RM-10436	Small Backing Plate 5.25"OD (133.35mm)
Q	RM-10437	Truck Plate 7.40"OD (187.96mm)
R	RM-10438	Sm. Adapter Cup w/Spring 5.25"OD (133.35mm)
S	RM-10439	Lg. Adapter Cup w/Spring 6.75"OD (171.45mm)
T	RM-10440A	Sm. Truck Cone 4.125" x 5.25" (104.77 x 133.35mm)
U	RM-10440B	Lg. Truck Cone 5.125" x 6.25" (130.18 x 158.75mm)
V	RM-44301	Locator Fits on 1" Arbor
W	RM-44303A	Cone 2.125" x 3.25" (53.97 x 82.55mm)
X	RM-44303B	Cone 3.125" x 4.25" (79.37 x 107.95mm)
Y	RM-44309	Nut & Spacer
Z	RM-25110	Spanner Wrench

**RM-49011 Adapter Plus Lathe Package (Adapters & Silencers) Includes:**

A	RM-49010	All Adapters in 49010 Package - See Above
B	RM-11488V	Universal Weighted Rotor Silencer Band
C	RM-11486	Drum Silencer Band
D	RM-29349V	Small Silencer (1) for Solid Rotors
E	RM-41003V	Large Silencer (1) for Solid Rotors
F	RM-11497	Friction Rotor Silencer



**RM-49012 Drum Adapter Package Includes:**

A	RM-40106	Boring Bar with Tool Holder
B	RM-40004	Upper Clamp
C	RM-40005	Lower Clamp
D	RM-44140	3.625" Bell Clamp
E	RM-44001	Small Center Cone

**RM-49013 Complete Adapter Plus Lathe Package**

**Includes:**

- All Adapters, Silencers & Drum Equipment from Above Kits
- Plus, the following Wrenches:
 

RM-40144	Large Wrench 1-1/4" x 1-1/16"
RM-40145	Small Wrench 5/16" x 3/8"



# 1" Brake Lathe Adapter Sets

## "BRONZE" ADAPTER SET FOR 1" BORE (Ref 10006)

RM-49106 10006 1" Adapter Set Includes:

SVI Part #	Ref	Description
RM-44142	3123	Bell Clamp 5.75" 1" Bore (Qty 2)
RM-44140	9490	Bell Clamp 4.25" 1" Bore (Qty 2)
RM-44780	9232	Set of 5 Dbl. Tapered Collets (Includes RM-44040, RM-44042, RM-44044, RM-44046, RM-44048)
RM-44001	3903	Centering Cone 1.187 x 2.250
RM-44100	433712	1" Spacer
RM-44500	3110	Spring
RM-40602	29573	Reversible Centering Cone 2.05" x 3.99" (Qty 2)

## "SILVER" ADAPTER SET FOR 1" BORE (Ref 10007)

RM-49107 10007 1" Adapter Set Includes:

SVI Part #	Ref	Description
RM-40601	29572	Hubless Rotor Plate
RM-40602	29573	Reversible Centering Cone 2.05" x 3.99"
RM-40603	29574	2" Spacer (Qty 2)
RM-40605	29575	Flange Plate
RM-40610	29579	Centering Cone 1.84" x 2.20"
RM-40611	29580	Centering Cone 2.12" x 2.48"
RM-40612	29581	Centering Cone 2.38" x 2.75"
RM-40613	29582	Centering Cone 2.65" x 3.03"
RM-40614	29583	Centering Cone 2.93" x 3.30"
RM-40630	29591	Spring for Adaptek System
RM-11494	9800	Spring Silencer Band
RM-11491V	1175	Clip-On Disc Silencer
RM-44780	9232	1" Double Tapered Cone Set (Set of 5)

## "GOLD" ADAPTER SET FOR 1" BORE (Ref 10008)

RM-49108 10008 1" Adapter Set Includes:

SVI Part #	Ref	Description
RM-40601	29572	Hubless Rotor Plate
RM-40602	29573	Reversible Centering Cone 2.05" x 3.99"
RM-40603	29574	2" Spacer (Qty 2)
RM-40605	29575	Flange Plate
RM-40610	29579	Centering Cone 1.84" x 2.20"
RM-40611	29580	Centering Cone 2.12" x 2.48"
RM-40612	29581	Centering Cone 2.38" x 2.75"
RM-40613	29582	Centering Cone 2.65" x 3.03"
RM-40614	29583	Centering Cone 2.93" x 3.30"
RM-40630	29591	Spring for Adaptek System
RM-11494	9800	Spring Silencer Band
RM-11491V	1175	Clip-On Disc Silencer
RM-44780	9232	1" Double Tapered Cone Set (Set of 5)
RM-40607	29578	Light Truck Flange Plate 6.625"
RM-40615	29584	Truck Centering Cone 3.25" x 3.58"
RM-40616	29585	Truck Centering Cone 3.48" x 3.85"

**1"**

# RELS 1" Adapter Sets

Parts available individually and as part of a set.

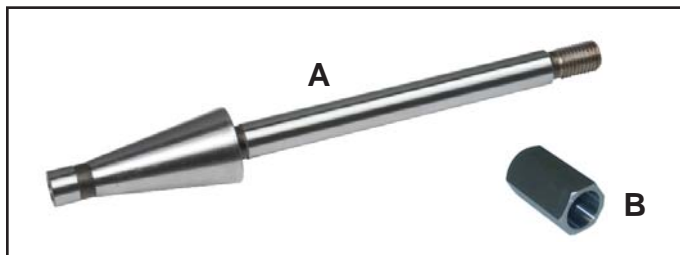


## 1" Adapter Sets

RM-47545 Model 2002,4000 4100 #4347 / 904347	BL-20111 Model 3000, 7700 #4362 / 904362	BL-20112 Model 7000 #4368 / 904368	BL-20113 Model 6000 6002 #5750 / 95750	BL-20114 Model 1000 #25841 9025842	BL-20115 Model 3850 #29753 / 929753
---	---	--	---	--	---

SVI #	Ref #	Description						
RM-42021	3101 / 903101 / 42021	Arbor (100 lb capacity); Use RM-40081 Nut For 2002 , 3000, 4000, 4100, 7000, 7500, 7700	1	1	1			
RM-40081	3102 / 903102 / 40081	Arbor Nut; Use w/ -42021 or BL-10358;	1	1	1	1		1
RM-44010	3106 / 903106 / 44010	Centering Cone 3.421" x 4.031"	1	1	1	1	1	
RM-44008	3107 / 903107 / 44008	Centering Cone 2.89" x 3.5"	1	1	1	1	1	1
RM-44006	3108 / 903108 / 44006	Centering Cone 2.328" x 2.968"	1	1	1	1	1	1
RM-44142	3109 / 903109 / 44142	Hubless Adapter (Bell/Cup) 5.65" OD		1		1	1	
RM-44500	3110 / 903110 / 44500	Centering Cone Spring	1	1	1	1	1	1
RM-44142	3123 / 903123 / 44142	Hubless Adapter (Bell/Cup) 5.75" OD	1	1		1	1	
RM-40161	3125 / 903125 / 40161	1/2" Spacer (1" Hole)	1	1	1		1	
RM-44007	3178 / 903178 / 44007	Centering Cone 2.65" x 3.224"	1	1	1		1	
RM-44000	3902 / 903902 / 44000	Centering Cone 1.25" x 1.75"	1	1	1			
RM-44001	3903 / 903903 / 44001	Centering Cone 1.187" x 2.25"	1	1	1			
RM-44004	3904 / 903904 / 44004	Centering Cone 1.703" x 2.75"	1	1	1	1	1	
BL-10358	4101 / 904101	Arbor (100 lb capacity) for 3850-3860 Use w/ RM-40081 (Arbor Nut)						1
BL-20106	5795 / 905795	Adapter Set - Splined Hub (pkg of 2)				1		
RM-44044	9192 / 909192 / 44044	Double Taper Adapter 1.711" x 2.073"	1	1	1	1	1	1
RM-44046	9193 / 909193 / 44046	Double Taper Adapter 2.074" x 2.44"	1	1	1	1	1	1
RM-44048	9194 / 909194 / 44048	Double Taper Adapter 2.441" x 2.897"	1	1	1	1	1	1
BL-20110	9437 / 909437	Arbor (100 lb. capacity)				1		
RM-44138	9489 / 909489 / 44138	Adapter - Hubless 3.625" OD for Models 1000, 2002, 3000, 4000, 4100, 7000, 7700	1		1		1	
RM-44140	9490 / 909490 / 44140	Adapter - Hubless 4.5" OD for Models 1000, 2002, 3000, 4000, 4100, 7000, 7700	2	1	2	1	1	
RM-40096	9492 / 909492 / 40096	Self Aligning Spacer for ALL Ammco Lathes	1	1	1	1	1	1
RM-44040	9921 / 909921 / 44040	Double Taper Adapter 1.332" x 1.67"	1	1	1	1	1	1
RM-44042	9922 / 909922 / 44042	Double Taper Adapter 1.362" x 1.71"	1	1	1	1	1	1
RM-47545	4347 / 904347 / 47545	Adapter Set - Models 2002, 4000, 4100	SET					
BL-20111	4362 / 904362	Adapter Set - Models 3000, 7700		SET				
BL-20112	4368 / 904368	Adapter Set - Model 7000			SET			
BL-20113	5750 / 905750	Adapter Set - Model 6000, 6002				SET		
BL-20114	25841 / 925841	Adapter Set - Model 1000					SET	
BL-20115	29753 / 929753	Adapter Set - Model 3850						SET

## 1" Arbor



**For Relis 2000, 2000XL**  
**For Ranger RL-8500 and RL-8500XLT**

A	RM-40080	1" Arbor
B	RM-40081	1" Arbor Nut

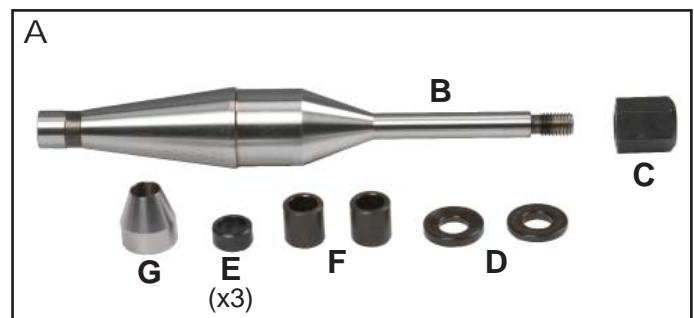
# 11/16" Arbors and Adapters

11/16"



SVI #	Ref #	Description	Fits Model #'s
RM-40093	3122 / 903122 / 40093	Arbor (11/16")	2002, 3000, 4000, 4100, 7000, 7700
BL-20131	5746 / 905746	Arbor (11/16")	6000
BL-20132	25831 / 925831	Arbor	1000
BL-20133	28573 / 928573	Arbor	3850
RM-43121	3118 / 903118 / 43121	Centering Cone .75" x 1.375"	1000, 2002, 3000, 3850, 4000, 4100, 6000, 7000, 7700
RM-43120	3120 / 903120 / 43120	Spacer - 1" Long (11/16" Hole)	1000, 2002, 3000, 3850, 4000, 4100, 6000, 7000, 7700
RM-43109	3121 / 903121 / 43109	Spacer - 1/2" Long (11/16" Hole)	1000, 2002, 3000, 3850, 4000, 4100, 6000, 7000, 7700
RM-43118	22138 / 922138 / 43118	Spherical Washer Set - 11/16" ID	1000, 2002, 3000, 3850, 4000, 4100, 6000, 7000, 7700
RM-43117	25882 / 925882 / 43117	LH Thread Arbor Nut (11/16")	2002, 3000, 3850, 4000, 4100, 6000, 7000, 7700
BL-20083	25939 / 925939	RH Thread Arbor Nut (11/16")	1000
RM-47130	3127 / 903127 / 47130	Step Down Adapter 1" x 11/16"	
BL-20134	2170 / 902170	Rear Drum Adapter	Use with (3127 / 903127) RM-47130 Step Down
BL-20135	1008 / 901008	Arbor Set 11/16"	1000
RM-40094	9708 / 909708 / 40094	Arbor Set 11/16"	2002, 3000, 4000, 4100, 7000, 7700
BL-20136	9709 / 909709	Arbor Set 11/16"	3850
BL-20137	9495 / 909495	Arbor Set 11/16"	6000

- A RM-40163 11/16" Arbor Set for 2000 Brake Lathe
- B RM-40163X 11/16" Arbor Alone
- C RM-43117 11/16" Arbor Nut
- D RM-43118 Self-Aligning Washer Set
- E RM-43109 11/16" Spacer 1/2" Long
- F RM-43120 11/16" Spacer 1" Long
- G RM-43121 11/16" Centering Cone .77" x 1.375"



# 1-7/8" Arbors and Adapters

**1-7/8"**

## 1-7/8" Adapter Sets

SVI #	Ref #	Description	BL-20117	BL-20118	RM-47540	RM-45710	RM-49399	RM-47550
			4775 / 904775	8994 / 908994	8995 / 908995	Covers 9399/9499	9399 / 909399	9499 / 909499
BL-20117	4775 / 904775	Adapter Set - Hubbed & Hubless (Use w/Arbors/Sets BL-20128, and BL-20129, BL-20124; Center Holes 2.75"-8.17"	SET					
BL-20118	8994 / 908994	Adapter Set - Med. Duty (Use w/ Arbors/Sets BL-20128, BL-20129, and BL-20124) Center Holes 2.75"-6.03"		SET				
RM-47540	8995 / 908995	Adapter Set - Heavy Duty (Use with BL-20128 Arbor Set, BL-20129 Arbor Set); Center Holes 5.97"-8.17"			SET			
RM-45710	9394 (covers 9399 / 9499) Confirm Center Hole	Adapter Set with 1-7/8" Hole - Light Truck (Covers 9399 and 9499 Applications)				SET		
RM-49399	9399 / 909399 / 49399	Adapter Set - Ford Light Truck					SET	
RM-47550	9499 / 909499 / 47550	Adapter Set - Light Truck (Standard with 4100 Series)						SET
RM-45100	3191 / 903191 / 45100	Spacer - 1" Long (1-7/8" hole)	1	1				
RM-45102	3192 / 903192 / 45102	Spacer - 2" Long (1-7/8" hole)	1	1				
RM-45104	3193 / 903193 / 45104	Spacer - 3" Long (1-7/8" hole)	5	5				
RM-45930	3194 / 903194 / 45930	Centering Cone 2.0" x 3.375"	1	1				
RM-45140	3577 / 903577 / 45140	Hubless Adapter 6.25" OD	2	2		1		2
RM-45142	3578 / 903578 / 45142	Hubless Adapter 7.813" OD				1	2	
RM-45144	3581 / 903581 / 45144	Hubless Adapter 9.625" OD	2		2			
RM-45500	3590 / 903590 / 45500	Spring for Centering Cone	1	1	1	1	1	1
RM-45903	4732 / 904732 / 45903	Centering Cone 4.656" x 5.25"					1	
RM-45918	4776 / 904776 / 45918	Centering Cone 2.75" x 3.344"	1	1				
RM-45919	4777 / 904777 / 45919	Centering Cone 3.281" x 3.891"	1	1				
RM-45900	4778 / 904778 / 45900	Centering Cone 3.828" x 4.421"	2	2		1		1
RM-45902	4779 / 904779 / 45902	Centering Cone 4.359" x 4.968"	2	2		1		1
RM-45904	4781 / 904781 / 45904	Centering Cone 4.891" x 5.5"	2	2		1		
RM-45906	4782 / 904782 / 45906	Centering Cone 5.438" x 6.031"	2	2				
RM-45908	4783 / 904783 / 45908	Centering Cone 5.969" x 6.563"	1		1			
RM-45910	4784 / 904784 / 45910	Centering Cone 6.5" x 7.438"	1		1			
RM-45912	4785 / 904785 / 45912	Centering Cone 7.031" x 7.641"	1		1			
RM-45914	4786 / 904786 / 45914	Centering Cone 7.578" x 8.172"	1		1			
RM-47120	4790 / 904790 / 47120	Arbor Step Down Adapter 1-7/8" to 1" (Set of 3)						1



**RM-45782** (Ref 9234, 909234)  
**Double Tapered Cone Set (2 pc)**  
 2.828" x 3.560" (71.83 x 90.42 mm)  
 Includes  
 RM-45050 (Ref 909197, 9197) and  
 RM-45052 (Ref 909198, 9198)



# 1-7/8" Arbors and Adapters For Ammco and more

**1-7/8"**

## 1-7/8" Arbor Sets / Arbor Nut

For Truck Rotors & Drums up to 200 lbs.

SVI #	Ref #	Description	Fits Model #
BL-20121	3198 / 903198	Arbor -Truck	2002, 3000, 4000, 4100, 7000, 7500, 7700
BL-20122	3460 / 903460	Arbor Nut 1-7/8" x 2-1/2"	2002, 3000, 4000, 4100, 6000, 7000, 7500, 7700
BL-20123	5722 / 905722	Arbor Nut Wrench for 1-7/8" x 2-1/2"	2002, 3000, 4000, 4100, 6000, 7000, 7500, 7700
BL-20125	25844 / 925844	Arbor Nut - Use BL-20126 Arbor	1000
BL-20126	25845 / 925845	Arbor	1000
BL-20127	28574 / 928574	Arbor - Truck	3850, 3860
BL-20124	5748 / 905748	Arbor - Truck (Arbor, plus BL-20122)	
BL-20128	1081 / 901081	Arbor Set (3 pc set, BL-20123, 20125, 20126)	1000
BL-20129	3481 / 903481	Arbor Set - Truck Rotors & Drums (3 pc set, BL-20121, BL-20122, BL-20123)	2002, 3000, 4000, 4100, 7000, 7500, 7700
BL-20130	3491 / 903491	Arbor Set - Truck Rotors & Drums (3 pc set, BL-20122, BL-20123, BL-20127)	3850, 3860

## 1-7/8" Light Truck Adapter Set



RM-45710 Light Truck Adapter Set (Includes A-F)

A	RM-45142	Bell Clamp 7.25" OD (184.15mm)
B	RM-45140	Bell Clamp 6.25" OD (158.75mm)
C	RM-45900	Centering Cone 3.828" x 4.421" OD (97.23 x 112.29mm)
D	RM-45902	Centering Cone 4.359" x 4.968" OD (110.72 x 126.19mm)
E	RM-45904	Centering Cone 4.891" x 5.50" OD (124.23 x 139.70mm)
F	RM-45500	Spring

**For similar kit with 1" Hole, ask for RM-44710**

## 2-1/2" Arbor Set

**2-1/2"**

Heavy Duty for Model 6000

SVI #	Ref #	Description
BL-20122	3460 / 903460	Arbor Nut (1-7/8" & 2-1/2")
BL-20138	5712 / 905712	Washer
BL-20139	5713 / 905713	Spacer 1" Long
BL-20140	5714 / 905714	Spacer 2" Long
BL-20141	5715 / 905715	Spacer 3" Long
BL-20142	5716 / 905716	Centering Cone 2.936" x 4.078"
BL-20143	5717 / 905717	Centering Cone 3.936" x 5.063"
BL-20144	5718 / 905718	Centering Cone 4.936" x 6.063"
BL-20145	5749 / 905749	Arbor
BL-20146	5710 / 905710	Arbor Set (15 piece set)

## Boring Bars



SVI #	Ref #	Description	For Model #'s
RM-40106	5843 / 905843	1-1/2" Hex Drum Boring Bar	3000, 4000
	/ 40106	15-1/2" Long	
BL-10257	5844 / 905844	1-1/2" Hex Boring Bar	4100, 7700
		19-1/2" Long	
BL-10359	29240 / 929240	1-1/2" Hex Drum Boring Bar	3850
		16-1/2" Long	

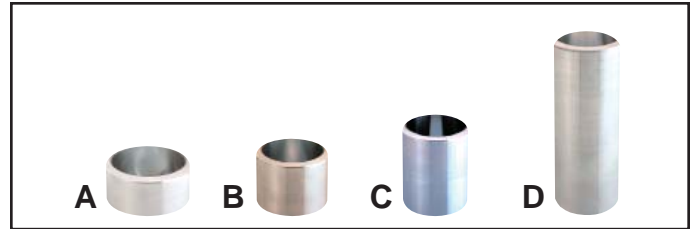
P  
a  
g  
e

25

## 1-7/8" Arbor & Spacers



A	RM-40164	Arbor Assembly
B	RM-40164A 3460 / 903460	Arbor Nut
C	RM-40164B	Arbor Washer
D	RM-40164X	Arbor Only

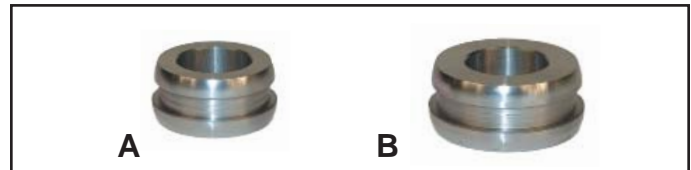


A	RM-45100 3191 / 903191	1.25" Spacer 1-7/8" Center Hole
B	RM-45102 3192 / 903192	2.00" Spacer, 1-7/8" Center Hole
C	RM-45104 3193 / 903193	3.00" Spacer, 1-7/8" Center Hole
D	RM-45106	6.00" Spacer, 1-7/8" Center Hole

## 1-7/8" Bell Clamps / Springs / Collets

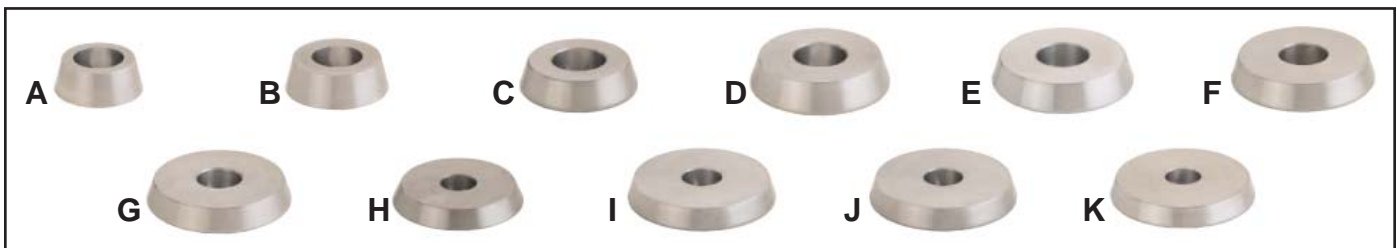


A	RM-45140	Bell Clamp 6.25" OD
B	RM-45142	Bell Clamp 7.25" OD
C	RM-45144	Bell Clamp 9.25" OD
D	RM-45500	Spring



A	RM-45050	Double Tapered Cone 2.828" x 3.185" (71.83 x 80.90mm)
B	RM-45052	Double Tapered Cone 3.203" x 3.560" (81.36 x 90.42mm)

## 1-7/8" Cones for Hubless Type Drums & Rotors



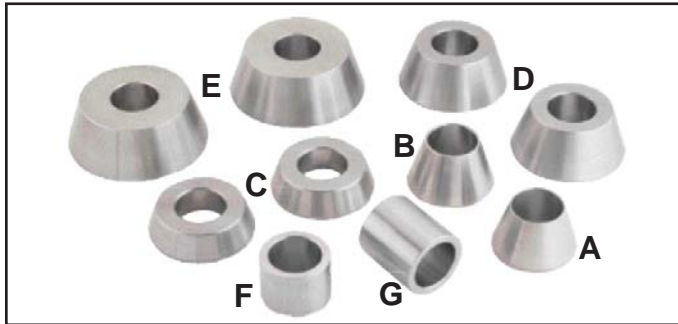
A	RM-45918	Centering Cone 2.750" x 3.334" (69.05 x 84.67mm)	G	RM-45906	Centering Cone 5.437" x 6.031" (138.10 x 153.18mm)
B	RM-45919	Centering Cone 3.281" x 3.891" (83.34 x 98.83mm)	H	RM-45908	Centering Cone 5.969" x 6.562" (151.61 x 166.67mm)
C	RM-45900	Centering Cone 3.828" x 4.422" (97.23 x 112.32mm)	I	RM-45910	Centering Cone 6.550" x 7.437" (166.37 x 188.90mm)
D	RM-45902	Centering Cone 4.359" x 5.000" (110.72 x 127.00mm)	J	RM-45912	Centering Cone 7.000" x 7.7001" (177.80 x 195.58mm)
E	RM-45903	Centering Cone 4.656" x 5.250" (118.26 x 133.35mm)	K	RM-45914	Centering Cone 7.578" x 8.172" (192.48 x 207.56mm)
F	RM-45904	Centering Cone 4.875" x 5.500" (123.83 x 139.70mm)			

## 1-7/8" Cones for Hub Type Drums & Rotors



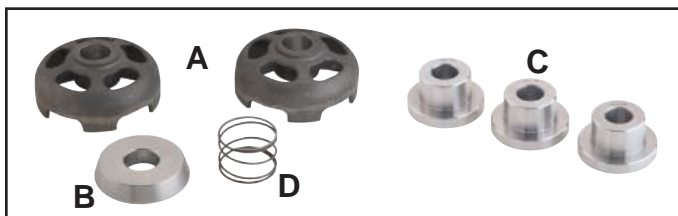
A	RM-45930	Centering Cone 2.156" x 3.375" (54.76 x 85.72mm)	D	RM-45935	Centering Cone 3.500" x 4.870" (88.90 x 123.70mm)
B	RM-45932	Centering Cone 2.250" x 3.625" (57.15 x 92.07mm)	E	RM-45938	Centering Cone 4.625" x 6.000" (117.48 x 152.40mm)
C	RM-45934	Centering Cone 3.600" x 4.500" (91.44 x 114.30mm)			

# 1-7/8" Heavy Truck Sets



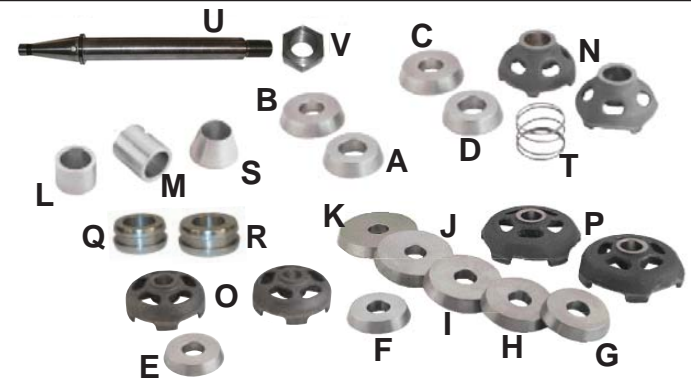
RM-47500 Cones for Heavy Duty Hub Type Work  
1-7/8" Center Hole Adapter Set Includes:

A	RM-45930	Centering Cone 2.156" x 3.375" (54.76 x 85.72mm)
B	RM-45932	Centering Cone 2.250" x 3.625" (57.15 x 92.07mm)
C(x2)	RM-45934	Centering Cone 3.600" x 4.50" (91.44 x 114.30mm)
D(x2)	RM-45936	Centering Cone 3.500" x 7.870" (88.90 x 123.70mm)
E(x2)	RM-45938	Centering Cone 4.625" x 6.00" (117.48 x 152.40mm)
F	RM-45100	Spacer 1.25" Long (31.75mm)
G	RM-45102	Spacer 2" Long (50.80mm)



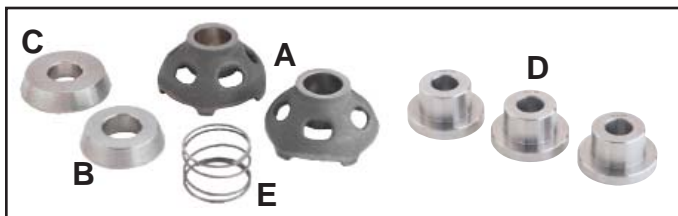
RM-49399 Light Truck Set  
1-7/8" Center Hole Adapter Set Includes:

A(x2)	RM-45142	Bell Clamp 7.250" OD (184.15mm)
B	RM-45903	Centering Cone 4.656" x 5.250" (118.26 x 133.35mm)
C	RM-47120	Step Adapter 1 7/8" to 1" (Set of Three)
D	RM-45500	Spring



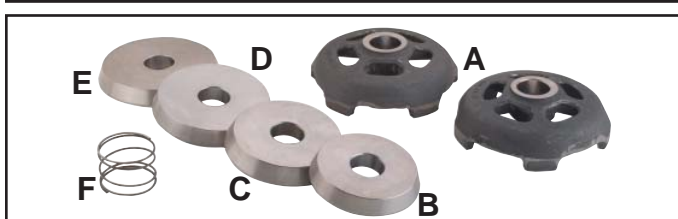
RM-47560 Heavy Duty 1-7/8" Arbor and Adapter Set Includes:

A	RM-45918	Centering Cone			
B	RM-45919				
C	RM-45900	Centering Cone	N(x2) RM-45140	6.25" Bell Clamp	
D	RM-45902	Centering Cone	O(x2) RM-45142	7.25" Bell Clamp	
E(x2)	RM-45903	Centering Cone	P(x2) RM-45144	9.25" Bell Clamp	
F(x2)	RM-45904	Centering Cone	Q(x2) RM-45050	Dbl. Tapered Cone	
G(x2)	RM-45906	Centering Cone	R(x2) RM-45052	Dbl. Tapered Cone	
H(x2)	RM-45908	Centering Cone	S	RM-45930	Centering Cone
I(x2)	RM-45910	Centering Cone	T	RM-45500	Spring
J	RM-45912	Centering Cone	U	RM-40164X	1-7/8" Arbor
K	RM-45914	Centering Cone	V	RM-40164A	Arbor Nut
L	RM-45100	1.25" Spacer			
M	RM-45102	2" Spacer			



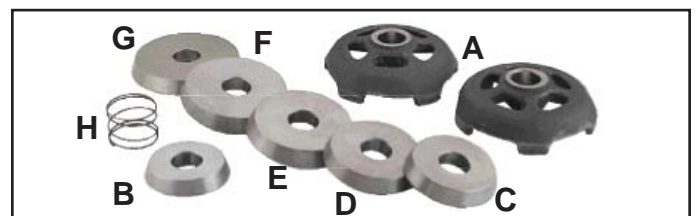
RM-49499 Large Range Light Truck Set  
1-7/8" Center Hole Adapter Set Includes:

A(x2)	RM-45140	Bell Clamp 6.250" OD (158.75mm)
B	RM-45900	Centering Cone 3.828" x 4.422" (97.23 x 112.32mm)
C	RM-45902	Centering Cone 4.358" x 5.000" (110.72 x 127.0mm)
D	RM-47120	Step Adapter 1 7/8" to 1" (Set of Three)
E	RM-45500	Spring



RM-47540 Medium Duty Truck Set

A(x2)	RM-45144	Bell Clamp 9.25" OD (234.95mm)
B	RM-45908	Centering Cone 5.969" x 6.562" (151.61 x 166.67mm)
C	RM-45910	Centering Cone 6.550" x 7.437" (166.37 x 188.90mm)
D	RM-45912	Centering Cone 7.000" x 7.7001" (177.80 x 195.58mm)
E	RM-45914	Centering Cone 7.578" x 8.172" (204.77 x 243.66mm)
F	RM-45500	Spring



RM-47520 Cones for Heavy Duty Hubless Type Work

A(x2)	RM-45144	Bell Clamp 9.25" OD (234.95mm)
B	RM-45904	Centering Cone 4.875" x 5.500" (123.83 x 139.70mm)
C	RM-45906	Centering Cone 5.437" x 6.031" (138.10 x 153.18mm)
D	RM-45908	Centering Cone 5.969" x 6.562" (151.61 x 166.67mm)
E	RM-45910	Centering Cone 6.550" x 7.437" (166.37 x 188.90mm)
F	RM-45912	Centering Cone 7.000" x 7.7001" (177.80 x 195.58mm)
G	RM-45914	Centering Cone 7.578" x 8.172" (204.77 x 243.66mm)
H	RM-45500	Spring

# Brake Lathe Motors and Miscellaneous



**Order RM-40052A**  
(Ref 2165-01, 90216501, BL-10006-01)

**RM-40052A**

Brake Lathe Drive Motor with Bracket

**Single Phase, 1 HP AC Motor 4-Bolt**

110v, 60Hz, 1725 rpm

**FOR RELS MODEL: 2000**

**FOR AMMCO® MODELS: 3000, 4000, 4100, 7500, 7700**

Ref 2165-01, 216501, 90216501, 40052A, BL-10006-01

Order: **RM-40052A**

**RM-40052**

Motor Only See Above for Reference Information

Ref 2165, 902165, 40052

Order: **RM-40052**



**RM-40053**

Motor Mount Bracket Only

See Above for Reference Information

Ref 3009, 903009, 73009, 40053, BL-10008

Order: **RM-40053**



Feed Motor with Fan  
**For Accu-Turn**

Order: **BL-40010** (Ref 433641)



Feed Motor *Verify Voltage*

**For RELS 2000 and Ranger RL-8500**  
**90 Volt • Order: RM-40239**

**For RELS Older 2000**  
*Specify Drum or Rotor Side*  
**24 Volt • Order: RM-40139**



Oil Level Stick / Dipstick  
**For Ammco® 3000, 4000, 4100, 7000, 7700**

Order: **BL-10253** (Ref 3148, 903148)

Main Switch  
**For Ammco®**

Order: **RM-40076**  
(Ref 6893, 906983, 40076)



Red Knob  
Replacement Knob for Twin Cutter,  
Crossfeed Guide, and Spindle Lock  
**For Ammco®, RELS, Ranger**

Order: **RM-40013**  
(Ref 6854, 906854, BL-10037,  
5326112, 40013)

Disc / Rotor Mechanical  
Micrometer 0" to 2.25"

**For Ammco®**

Order: **BL-30063**  
(Ref 2760, 902760)



Shear Gear & C-Clip  
**For Ammco® Disc Feed Gear Box 7751**  
**For Models: 4000, 4100, 7500**

Order: **RM-42038**  
(Ref 7996, 907996, 42038, BL-10051)

Chip Funnel and  
Tray/Bucket

**For Ammco®**

Order: **RM-40168** (Ref 7048, 907048)

Spindle Lock Kit

**For Ammco®**

Order: **RM-42051**  
(Ref 9590, 909590, 42051)

## Safety Shields / Chip Deflectors



**Order RM-42001**

(Ref 9481 / 909481 / 42001 / BL-10154)

**RM-42001** Safety Shield Assembly

Safety Shield attaches to rotor cutting head to deflect chips from entering eyes while turning rotors. *Includes Metal Bracket & Hardware to Attach to Cutting Head.*

**FOR RELS MODELS:** 2000, 2000XL

**FOR AMMCO®\* MODELS:** 4000, 4100, 7500, 7700, Twin Cutter Models 6900 / 6950

**FOR RANGER MODELS:** RL-8500, RL-8500XLT

Ref **9481, 909481, 42001**

Order: **RM-42001**

SVI #	Ref #	Description
RM-42001	9481 / 909481 / 42001	Safety Shield Assembly (with Metal Bracket & Screws)
RM-42001A	9481-1 / 11154	Shield Only
RM-42001B	29254	Bracket Only for RM-42001
RM-40154	11150	Machine Screw
RM-40162		Washer
RM-40155	11166	Flange Hex Nut
RM-42001F		Spacer



**Order RM-40194**

(Ref 11154 / 911154 / 42001AQ)

**RM-40194** Safety Shield for Worklight

This SVI / RELS 40194 Safety Shield / Chip Deflector fits onto your lathe's light shade to deflect chips from entering eyes while turning rotors and drums.

For Many Makes and Models including Accu-Turn, Ammco®\*, All Tool, FMC, Kwik-Way, RELS

*Hole Diameter in shield is 4.25".*

**FOR RELS MODELS:** 2000 - older models with large lamp shade / Replaces 40194

**FOR AMMCO®\* MODELS:** 4000, 4100, 7500, 7700 / Replaces 11154

**FOR ACCU-TURN MODELS:** 8920, 8922, 8944, 8989 / Replaces 436056

**FOR HUNTER MODELS:** BL-501, BL-505 / Replaces 179-27-2

Ref **40194, 11154, 436056, 179-27-2**

Order: **RM-40194**



**Order RM-40079**

(Ref 907963, 7963, 40079, BL-10049)

**RM-40079** Work Light for Ammco®\* and Older RELS

**FOR RELS MODELS:** Older Style 2000

**FOR AMMCO®\* MODELS:** Fits most models

Ref **7963, 907963, 40079, BL-10049**

Order: **RM-40079**

# Brake Lathe Boots for Ammco®\* and RELS

## Boots

SVI #	Ref #	Description	Model #
---	10401	Discontinued Spindle Boot; Use RM-42036 (Plastic) or RM-42035 (Rubber)	
RM-42035	3085-R / 42035 / BL-10017R	Rubber Spindle Boot, Replaces 3085-P (903085) Plastic Boot	
RM-42027	3086 / 903086 / 42027	Feed Screw Boot	3000, 4000, 7000
RM-42026	3087 / 903087 5326125 / 42026	Cross Feed Boot	Ammco®* 3000, 4000, 4100, 7000, 7700 RELS 2000 / 2000XL and Ranger RL-8500, RL-8500XLT
BL-10361	28824 / 928824	Drive Rod Boot	7000
BL-10362	29190 / 929190	Leadscrew Boot	3850
BL-10363	29191 / 929191	Cross Feed Boot	3850



**Replacement Boot Kit  
For Ammco®\*: 3000, 4000, 7000**  
Order: **RM-50006**  
**Kit comes with:**  
(2) Plastic Spindle Boots (ref 3085, 903085)  
(1) Crossfeed Boot (ref 3087, 903087)  
(1) Leadscrew Boot (ref 3086, 90386)



**Plastic Spindle Boot  
For Ammco®\*:**  
3000, 4000, 4100, 7000  
Order: **RM-42036**  
(Ref 3085, 903085, 42036, BL-10017)  
**USE WITH:** RM-42032 (Ref 23682) Ring



**Crossfeed Dust Boot  
For Ammco®\*:**  
3000, 4000, 4100, 7000, 7700  
**For RELS:** 2000, 2000XL  
**For Ranger:** RL-8500, RL-8500XLT  
Order: **RM-42026**  
(Ref 3087, 903087, 42026, BL-10019)



**Spindle Ring  
for Plastic Boot**  
Order: **RM-42032**  
(Ref 23682, 923682, 42032, BL-10071)  
**USE WITH:** RM-42036 (Ref 3085) Boot



**Feed Screw Dust Boot  
For Ammco®\*: 3000, 4000, 7000**  
Order: **RM-42027**  
(Ref 3086, 903086, 42027, BL-10018)



**Rubber Spindle Boot  
For Ammco®\*:**  
3000, 4000, 4100, 7000  
Order: **RM-42035**  
(Ref 3085-R, 903085-R, 42036, BL-10017R)  
**USE WITH:** RM-43034 (Ref 3034) Ring



**Spindle Ring  
for Rubber Boot**  
Order: **RM-43034**  
(Ref 3034, 903034, 43034)

**Leadscrew Dust Boot  
For Ammco®\*: 3850**  
Order: **BL-10362** (Ref 29190, 929190)

**Crossfeed Dust Boot  
For Ammco®\*: 3850**  
Order: **BL-10363** (Ref 29191, 929191)



**Coil Spring for  
Rubber Boot  
For Ammco®\*: 3000, 7700**  
Order: **RM-42033**  
(Ref 3595, 903595, 42033)

**Drive Rod Dust Boot  
For Ammco®\*: 7000**  
Order: **BL-10361** (Ref 28824, 928824)

# Vibration Dampeners / Silencers

*Eliminate chatter when turning rotors and drums.*



Standard Ventilated Rotor Weighted Silencer Band  
 Order: **RM-11488V**  
 (Ref 906920, 6920, 11488, BL-31003)



Heavy Duty Ventilated Rotor Weighted Silencer Band  
 Order: **RM-11498V**  
 (Ref 906930, 6930, 11498)



Ventilated Rotor Weighted Silencer Band - Neoprene  
*Black Neoprene - Oil Resistant*  
 Order: **RM-11488N**  
 (Ref 906920, 6920, 11488, BL-31003)



Rubber Silencer Band (1)  
*For use on Thin Solid Rotors*  
 Specify Quantity:

6.5" Order: **RM-29349V**  
 (Ref 906921, 6921, 29349)

9.25" Order: **RM-41003V**  
 (Ref 906922, 6922, 41003)

Kit Order: **RM-11482**  
 Includes (1) **RM-29349V** and (1) **RM-41003V**  
 (Includes Ref 6921 and 6922)



Spring Silencer Band for Vented Rotors  
 Connect 3 or 4 springs together to form a ring. Comes as a 4-pack of springs with rubber inserts that connect to fit around the diameter of the vented rotors.  
*Fits most bench brake lathes including RELS, Ammco, Ranger, and Accu-turn.*  
 Order: **RM-11494**  
 (Ref 909800, 9800, 11494V, others)



1-3/4" Drum Silencer Band for Automotive Drums  
 Order: **RM-11486V**  
 (Ref 905280, 5280, 11486V)



Silencer Band for Vented Rotors 10-13"  
 Order: **RM-11489V** (Ref 11489)



2-3/4" Drum Silencer Band for Wider Truck Drums  
 Order: **RM-11487V**  
 (Ref 905290, 5290, 11487V)



Silencer Band for Vented Rotors 6-9"  
 Order: **RM-11490V** (Ref 11490)

## Vibration Dampeners / Silencers

*Eliminate chatter when turning rotors and drums.*



**Clip-On Rotor Silencer / Chip Deflector**  
*Used on many brands including Ammco, Accu-Turn, All Tool, FMC, Hunger, Kwik-Way, Performance and RELS. (Note: This is NOT for Procut. Call for Procut Style)*

Order: **RM-11491V**  
(Ref 1175, 1180, 901180, 434296, 5572, 90198, 175-185-2, BL-31000)



**Pro-Cut Style Clip-On Rotor Silencer / Chip Deflector**

Order: **BL-47000** (Ref 50-703)



**Friction Rotor Silencer**  
*Used on many brands including Ammco 4000, 4100, 7500, Hofmann Bulldog 660, Performance 6600 & 7200, Ammco / All Tool 747 Lathes, RELS 2000, 2000XL, and Ranger RL-8500 and RL-8500XLT*

**For Replacement Pads, Order RM-42002**

Order: **RM-11497**  
(Ref 7075, 907075, 11497)

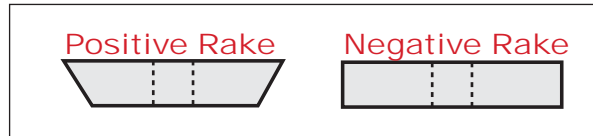


**Replacement Silencer Pads (2) for Friction Rotor Silencer**  
7075 / 907075 / RM-11497

Order: **RM-42002**  
(Ref 9183, 909183, 42002)



# Cutting Tips / Bits and Tool Holders for Ammco®\*



6 Cutting Edges

## 6914 Negative Rake Cutting Tips (10-Pack)

**FOR AMMCO®\* MODELS:** 1000, 2002, 3000, 4000, 4100, 7500, 7700, 6914

Ref **6914-10, 906914-10, 6914, 906914, 6914-6, 6914-2**

Order: **RM-45001-10**

**USE BITS WITH:** Ammco®\* Twin Cutter (ref 6950) and the SVI / RELS Twin Cutter (RM-40095) when used with the Negative Rake Tool Holder Set # RM-45701. Also fits Ammco®\* Drum Holder 9872 and SVI / RELS RM-45007.

## Premium Thick Negative Rake Cutting Tips

*Lasts Longer—Use in place of 6914 Bits*

Ref **6914-10T**

Order: **RM-72283**



3 Cutting Edges

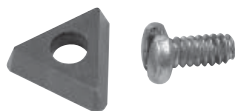
## 7681 Positive Rake Cutting Tips (10-Pack) Larger Radius

**FOR AMMCO®\* MODELS:** 4000, 4100, 7000

Ref **7681, 7681-10, 907681, 907681-10**

Order: **RM-45002-10**

**USE BITS WITH:** Ammco®\* Twin Cutter (ref 6950) and the SVI / RELS Twin Cutter (RM-40095) when used with the Positive Rake Tool Holder Set # RM-45702.



3 Cutting Edges

## 6918 Coated Positive Rake Cutting Tips (10-Pack)

*Smaller Radius*

**FOR AMMCO®\* MODELS:** 3850

**FOR HUNTER MODELS:** BL-500, BL-501, BL-505

Ref **6918, 906918**

Order: **RM-45017M-10**

**USE BITS WITH:** Ammco®\* Twin Cutter (ref 6900 / 6950) modified with Positive Rake Holders and the SVI / RELS Twin Cutter (RM-40095) when used with the Positive Rake Tool Holder Set # RM-45702.



3 Cutting Edges

## 5677 Heavy Duty Positive Rake Cutting Tip

**FOR AMMCO®\* MODELS:** 1000, 2002, 3000, 4000, 4100, 7500, 7700, 6914

Ref **905677, 5677**

Order: **RM-45018**

**USE BITS WITH:** Ammco®\* Tool Holder 9695 or SVI / RELS BL-30028 / OE 9695 Tool Holder

# Cutting Tips / Bits and Tool Holders for Ammco®\*



3 Cutting Edges

**40410**

Positive Rake Cutting Tips **(10-Pack)**

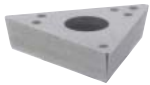
**FOR ACCU-TURN, AMMCO®\*, FMC, HOFMANN, JOHN BEAN, PERFORMANCE, RJ WEST, SNAP-ON, OTHERS**

*1/8" Thick*

Ref **40410, 940410, 90488, 90488-10**

Order: **RM-45020-10**

**USE BITS WITH:** Can be used with the following Tool Holders RM-45031, RM-45030, For John Bean and RELS (BL-30050, BL-30049, BL-30051, BL-30052), others



3 Cutting Edges

**40415**

Positive Rake Cutting Tips **(10-Pack)**

Ref **40415, 940415, 109-1092-23**

Order: **RM-42365-10**

**USE BITS WITH:**



8 Cutting Edges

**40610**

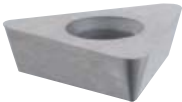
Round Cutting Tips **(10-Pack)**

**FOR AMMCO®\* MODELS:** 4000, 4100, 7000

Ref **40610, 940610, 109-6900-20**

Order: **RM-45010M-10**

**USE BITS WITH:** Can be used with the Ammco twin cutter (6950) and the SVI / RELS Twin Cutter (RM-40095) when used with the Round Tool Holder Set # RM-48010



3 Cutting Edges

**45016**

Positive Rake Cutting Tips **(10-Pack)**

**FOR AMMCO®\* MODELS:** 4000, 7000

**FOR RELS MODEL:** 2000

**FOR RANGER MODEL:** RL-8500

Ref **45016**

Order: **RM-45016M-10**

**USE BITS WITH:** Can be used on the SVI / RELS Twin Cutter (RM-40095) and Ammco Twin Cutter (6950), when used with the SVI / RELS Positive Rake Tool Holder Set # RM-45700.

# Cutting Tips / Bits and Tool Holders for Ammco®\*



**5390** Positive Rake Drum Tool Holder  
**FOR AMMCO®\* MODEL:** 3850  
 Ref **5390, 905390, 45028**  
 Order: **RM-45028**



**5720** Right Hand Brazed Tool Holder  
 5/8" Square  
**FOR AMMCO®\* MODEL:** 6000, 6002  
 Ref **5320, 905720, 45026**  
 Order: **RM-45026**



**6999** Negative Rake Tool Holder Set  
**FOR AMMCO®\* MODEL:** 4000, 4100, 7000  
 Ref **6999, 906999, 45701**  
 Order: **RM-45701**

Set Includes the RH and LH Tool Holders with (1) RM-45001 Carbide Bit Insert Installed.

**USE WITH:** Holders can be used on the Ammco 6950 Twin Cutter and the SVI / RELS RM-40095 Twin Cutter using the RM-45001 Carbide Inserts.

RH Tool Holder *with (1) RM-45001 Carbide Bit Insert Installed*  
 Ref **10701** • Order: **RM-45005**

LH Tool Holder *with (1) RM-45001 Carbide Bit Insert Installed*  
 Ref **10702** • Order: **RM-45006**



**9872** Negative Rake Drum Tool Holder  
**FOR AMMCO®\* MODEL:** 3000, 4000, 4100  
 Ref **9872, 909872, 45007**  
 Order: **RM-45007**

Holder includes (1) RM-45001 Negative Rake Carbide Bit Insert Installed.

**USE WITH:** Holder can be used on the Ammco 5843 Drum Boring Bar and the SVI / RELS RM-40106 Drum Boring Bar using the RM-45001 carbide inserts. Will also work with the Rels 20484001D (204C) lathe. Replaces the 30207171 tool holder.

# Cutting Tips / Bits and Tool Holders for Ammco®\*



**7999**

Positive Rake Tool Holder Set

**FOR AMMCO® MODEL:** 4000, 4100, 7000

Ref **7999, 907999, 25968, 25969**

Order: **RM-45702**

Holder includes (1) RM-45002 Positive Rake Carbide Bit Insert Installed.

**USE WITH:** Holders can be used on the Ammco 6950 Twin Cutter and the SVI / RELS RM-40095 Twin Cutter using the RM-45002 Carbide Inserts.

RH Tool Holder *with (1) RM-45002 Carbide Bit Insert Installed*

Ref **25968** • Order: **RM-45012**

LH Tool Holder *with (1) RM-45002 Carbide Bit Insert Installed*

Ref **25969** • Order: **RM-45013**



**5392**

Positive Rake For Small Drums

**FOR AMMCO® MODEL:** 4000, 4100, 7000

Ref **5392, 905392**

Order: **RM-45029**

Holder includes (1) RM-45002 Positive Rake Carbide Bit Insert Installed.

**USE WITH:** Holders can be used on the Ammco 6950 Twin Cutter and the SVI / RELS RM-40095 Twin Cutter using the RM-45002 Carbide Inserts.



**5725**

Zero Point Brazed Tool Holder

5/8" Square

**FOR AMMCO® MODEL:** 6000, 6002

Ref **5725, 905725**

Order: **RM-45027**

# Cutting Tips / Bits and Tool Holders for Ammco®\*

Ref #	SVI Part #	Description	Ref #	SVI Part #	Description
	5390 905390	RM-45028 Positive Rake Tool Holder for Small Drums		10650 910650	RM-45004 LH Tool Holder for 6950 & 6900 Twin Cutter
	5392 905392	RM-45029 Positive Rake Drum Tool Holder (3850 Lathe)		10651 910651	RM-45003 RH Tool Holder for 6950 & 6900 Twin Cutter
	5677 905677	RM-45018 Heavy Duty Positive Rake Bit (9695 Tool Holder) 6000 Lathe		10701 910701	RM-45005 Negative Rake RH Tool Holder
	5725 905725	RM-45027 R / L Brazed Carbide Tool Bit (5/8" Sq.) 6000, 6002 Lathe		10702 910702	RM-45006 Negative Rake LH Tool Holder
	6914 906714	RM-45001 Negative Rake Bit Sold in Boxes of 10, 50 and 100		25968 925968	RM-45012 Positive Rake RH Tool Holder
	6918 906918	RM-45017 Coated Positive Rake Bits		25969 925969	RM-45013 Positive Rake LH Tool Holder
	6999 906999	RM-45701 Negative Rake Tool Holder Set		40608 940608	RM-45009 Positive Rake RH Round Tool Holder
	7682 907682	RM-45002 Positive Rake Bit		40609 940609	RM-45008 Positive Rake LH Round Tool Holder
	7999 907999	RM-45702 Positive Rake Tool Holder Set		40610 940610	RM-45010 Round Tool Bit
	9872 909872	RM-45007 Negative Rake Drum Tool Holder		40630 940630	RM-48010 Round Tool Holder Set

## Brake Lathe Repair Parts for Ammco® \*

Ref #	SVI Part #	Description	Ref #	SVI Part #	Description
	209 900209	RM-40025 Socket Head Capscrew		1574 901574	RM-40055 Washer
	213 900213	RM-40072 Socket Set Screw		1602 901602	RM-40032 Hex Head Capscrew
	220 900220	RM-40009 Socket Set Screw		1926 901926	RM-42049 Lock Washer
	236 900236	RM-40038 Hex Head Capscrew		2045 902045	RM-42034 Large Spring for Rubber Boot
	237 900237	RM-40001 Hex Head Capscrew		2064 902064	RM-40010 Spring, Crossfeed Sold individually or in packs of 30 RM-40010-30 30-pack
	238 900238	RM-40056 Lock Washer		2165 902165	RM-40052 1 HP Motor
	306 900306	RM-40086 Rivet		2165-01 902165-01	RM-40052A with Mount
	311 900311	RM-42076 Ball		2309 902309	RM-42052 Nut, Handwheel
	320 40062 900320	BH-7503-45 Red Round Knob		2364 902364	RM-40050 O-Ring
	1185 901185	RM-42043 On / Off Switch Plate		2500 902500	RM-40156 Bench Assembly with Chip Funnel & Bucket

## Brake Lathe Repair Parts for Ammco® \*


Ref #	SVI Part #	Description	Ref #	SVI Part #	Description
	3009 903009	RM-40053 Motor Mount		3031-1 903031-1	RM-40006 Boring Bar Stud (Old Style)
	3010 903010	RM-40036 Bearing Cap		3032 903032	RM-40111 Paper Shim
	3015 903015	RM-40058 Lever, Belt Tension		3033 903033	RM-40030 Bronze Thrust Washer
	3017 903017	RM-40004 Upper Boring Bar Clamp		3034 903034	RM-43034 Adapter Ring for Rubber Boot
	3022 903022	RM-40144 Large Wrench		3035 903035	RM-40059 Pin, Belt Release
	3023 903023	RM-40047 Motor Mount Shaft		3036 903036	RM-42077 Roller
	3024 903024	RM-42030 Small Pulley, V-Belt Style		3039 903039	RM-42099 Stop Collar
	3026 903026	RM-42022 Handle, Crossfeed & Drum Feed Handwheel		3040 903040	RM-42078 Shut Off Rod
	3029 903029	RM-42009 Old Style Clamp Nut		3058 903058	RM-42702 Clutch Shifter
	3031 903031	RM-42007 Boring Bar Stud (New Style)		3060 903060	RM-42079 Spring, Drum Feed Clutch

## Brake Lathe Repair Parts for Ammco® \*

Ref #	SVI Part #	Description	Ref #	SVI Part #	Description
	3077 903077	RM-42081 Drum Feed Clutch		3089 903089	RM-40033 Oil Seal Adapter Ring
	3078 903078	RM-42082 Sliding Friction Disc		3092 903092	RM-42083 Pin, Drum Feed
	3081 903081	RM-42703 Friction Disc Assembly		3101 903101	RM-42021 1" Arbor
	3082 903082	RM-42104 Friction Disc Assembly		3102 903102	RM-40081 Arbor Nut for 1" Arbor (3101 / 40081)
	3084 903084	RM-42024 Knurled Knob		3141 903141	RM-42096 3/16" Brass Plug (Also available 30-pack)
	3085 903085	RM-42036 Plastic Spindle Boot		3142 903142	RM-40012 5/16" Brass Plug (Also available in 30-pack)
	3085R 903085R	RM-42035 Rubber Spindle Boot		3154 903154	RM-42097 Spindle Extension
	3086 903086	RM-42027 Lead Screw Boot		3159 903159	RM-40041 Snap Ring
	3087 903087	RM-42026 Crossfeed Boot		3161 903161	RM-42031 V-Belt, Old Style
	3088 903088	RM-40061 Handle, Belt Release		3163 903163	RM-40039 Oil Seal



## Brake Lathe Repair Parts for Ammco®\*

Ref #	SVI Part #	Description	Ref #	SVI Part #	Description
	3164 903164	RM-42057 Spindle Oil Seal		3188 903188	RM-40102 Front Spindle Bushing
	3165 903165	RM-42008 Self Aligning Washers		3189 903189	RM-40101 Rear Spindle Bushing
	3166 903166	RM-40042 Freeze Plug		3211 903211	RM-40003 Crossfeed Lead Screw Assembly
	3169 903169	RM-40037 Shim .005"		3214 903214	RM-40150 Washer
	3170 903170	RM-40037A Shim .007"		3215 903215	RM-42055 Oil Filler Sleeve
	3171 903171	RM-40037B Shim .020"		3218 903218	RM-40145 Small Wrench
	3172 903172	RM-40045 Retaining Ring		3223 903223	RM-40049 Motor Shaft Bushing
	3176 903176	RM-40020 Woodruff Key		3224 903224	RM-40029 Socket Set Screw
	3180 903180	RM-40060 Socket Set Screw		3319 903319	RM-40070 Socket Head Cap Screw
	3184 903184	RM-40134 Nylon Hex Nut		3338 903338	RM-42018 Socket Set Screw

## Brake Lathe Repair Parts for Ammco® \*

Ref #	SVI Part #	Description	Ref #	SVI Part #	Description
	3372 903372	RM-40046 Magnetic Oil Plug		5646 905646	RM-40083 Socket Head Cap Screw
	3377 903377	RM-40051 Hex Nut, Motor Mount		5689 905689	RM-40185 Square Head Screw, Drum Bar
	3391 903391	RM-42084 Drum Feed Bearing		5843 905843	RM-40106 Drum Bar
	3392 903392	RM-42085 Drum Feed Race		6058 906058	RM-40078 Cord Grip
	3393 903393	RM-40035 Drive Shaft Bearing		6109 906109	RM-40125 Socket Cap Screw, Twin Cutter
	3394 903394	RM-40035A Drive Shaft Race		6350 906350	RM-42106 Bone Washer
	3528 903528	RM-40129 Hex Jam Nut, Twin Cutter		6446 906446	RM-42114 Plug
	3595 903595	RM-42033 Small Spring for Rubber Boot		6486 906486	RM-40028 Socket Head Cap Screw
	4435 904435	RM-42006 Wire Boot Ring		6749 906749	RM-42116 Bushing
	4670 904670	RM-42016 Drum Feed Lead Screw Nut		6766 906766	RM-40048 O-Ring, Motor Mount



## Brake Lathe Repair Parts for Ammco® \*

Ref #	SVI Part #	Description	Ref #	SVI Part #	Description
	6825 RM-42056 906825	Socket Head Capscrew		6889 RM-40090 906889	Insulated Bushing
	6839 RM-40018 906839	Thumb Screw		6893 RM-40076 906893	Main Toggle Switch
	6841 RM-40126 906841	Groove Pin, Twin Cutter		6901 RM-40103 906901	Dial Assembly, Twin Cutter
	6853 RM-42028 906853	Grease Fitting (Old Style)		6905 RM-40142 906905	Spring, Twin Cutter
	6854 RM-40013 906854	Red Knob		6906 RM-40104 906906	Threaded Plug, Twin Cutter
	6864 RM-40057 906864	Socket Set Screw		6907 RM-40113 906907	Dial, Twin Cutter
	6871 RM-42088 906871	Thrust Bearing, Rotor Feed		6908 RM-40105 906908	Dial Rod, Twin Cutter
	6872 RM-40136 906872	Thrust Washer, Rotor Feed		6923 RM-40115 906923	Dial Knob, Twin Cutter
	6873 RM-42023 906873	Thrust Bearing, Crossfeed		6929 RM-40112 906929	Spring Washer, Twin Cutter Dial
	6874 RM-40019 906874	Thrust Washer, Crossfeed		6934 RM-40054 906934	Square Head Screw

## Brake Lathe Repair Parts for Ammco® \*

Ref #	SVI Part #	Description	Ref #	SVI Part #	Description
6937 906937	RM-42107	Dowel Pin		7747 907747	RM-42012 Index Plate
	6950 906950	RM-40095N Twin Cutter Assembly with Negative Rake Tool Holders & Bits		7748 907748	RM-42090 Shift Shaft
6973 606973	RM-42108	Thrust Washer		7750 907750	RM-45152 3000 Model Conversion & Upgrade Kit
6974 906974	RM-42109	Red Tube Cap		7751 907751	RM-40074 Variable Speed Upgrade for Model 4000
6977 906977	RM-40127	Plug, Twin Cutter		7755 907751	RM-42706 Gear Shift Assembly
7005 907005	RM-40091	Draw Bar		7757 907757	RM-42707 Coupling Assembly
7048 907048	RM-40168	Chip Funnel Catcher & Plastic Bucket		7764 907764	RM-42091 Clutch Shaft
	7209 907209	RM-40077 Power Cord		7774 907774	RM-42005 Drive Rod
	7338 907338	RM-42704 Pinion Bushing Assembly, Drum Feed		7775 907775	RM-42092 Gear Trap for Rotor Feed
	7744 907744	RM-42011 Shift Handle		7782 707782	RM-42025 Guide Bar (Old Style)

## Brake Lathe Repair Parts for Ammco® \*

Ref #	SVI Part #	Description	Ref #	SVI Part #	Description
	7784 RM-42029 907784	Large Pulley, V-Belt		9611 RM-40017 909611	Dial Spring
	7788 RM-40065 907788	Belt Guard		9626 RM-40014A 909626	Crossfeed Handwheel Assembly
	7963 RM-40079 907963	Work Light		9633 RM-40014 909633	Handwheel
	7980 RM-42013 907980	Blue Touch Up Paint		9634 RM-40016 909634	Dial for Handwheel
	7996 RM-42038 907996	Plastic Shear Gear		9645 RM-40071 909645	Lock Rod
	9443 RM-42093 909443	Lock Nut, Drum Feed		9815 RM-42117 909815	Right Angle Drive
	9444 RM-42094 909444	Washer for Lock Nut, Drum Feed		9821 RM-42112 909821	Drive Bearing Assembly
	9481 RM-42001 909481	Plastic Chip Shield Assembly		9830 RM-40031 909830	Quill Gear
	9590 RM-42051 909590	Spindle Lock Kit		9831 RM-40027 909831	Spindle Drive Key
	9592 RM-40067 909592	Front Clamp		9836 RM-40011 909836	Brass Plug 1/4"

## Brake Lathe Repair Parts for Ammco® \*

Ref #	SVI Part #	Description	Ref #	SVI Part #	Description
	9847 909847	RM-40040 Worm Gear		11166 911166	RM-40155 Flange Hex Nut
	9879 909879	RM-40128 Locating Screw		11227 911227	RM-40143 Locking Nut Assembly
	9918 909918	RM-42708 Short Lead Screw with Miter Gear 14"		11273 911273	RM-40066 Nylon Lock Nut
	9919 909919	RM-42709 Lock Lead Screw with Miter Gear 17"		20666 920666	RM-40005 Lower Boring Bar Clamp
	10346 910346	RM-40063 Extended Guide Bar		21972 921972	RM-42048 Ground Screw
	10868 910868	RM-42003 Rotor Feed Screw Nut		22006 922006	RM-40043 Grease Fitting
	10868X 910868X	RM-42100 Extended Feed Screw Nut		22138 922138	RM-43118 Washer Set
	11150 911150	RM-40154 Screw (1)		22763 922763	RM-42014 Worklight Replacement Lamp Switch
	11152 911152	RM-42001G Thumb Screw		22764 922764	RM-42015 Worklight Toggle Boot
	11154 911154	RM-40194 Plastic Chip Shield Over Light Style		23682 923682	RM-42032 Bronze Adapter Ring

## Brake Lathe Repair Parts for Ammco®\*

Ref #	SVI Part #	Description	Ref #	SVI Part #	Description
	24446 924446	Woodruff Key		28584 928584	Tool Holder Gib, Twin Cutter
	28365-1 928365-1	Extended Lead Screw Kit		29254 929254	Bracket for Plastic Shield
	28366 928366	Extended Lead Screw Nut		40141 940141	Serpentine Belt
	28367 928367	Socket Head Cap Screw		40142 940142	Large Serpentine Pulley
	28529-1 928529-1	Extended Lead Screw Kit		40146 940146	Small Serpentine Pulley

## Brake Lathe Repair Parts for Ammco® \*

Ref #	SVI Part #	Description	Ref #	SVI Part #	Description
	3106 903106	RM-44010 Centering Cone 3.421" x 4.031" 86.89 x 102.39 mm		3178 903178	RM-44007 Centering Cone 2.650" x 3.224" 67.31 x 81.89
	3107 903107	RM-44008 Centering Cone 2.890" x 3.500" 73.41 x 88.90 mm		3191 903191	RM-45100 1" Spacer 1-7/8" Center Hole
	3108 903108	RM-44006 Centering Cone 2.328" x 2.968" 59.13 x 75.39 mm		3192 903192	RM-45102 2" Spacer 1-7/8" Center Hole
	3109 903109	RM-44142 Bell Clamp 5.75" OD		3193 903193	RM-45104 3" Spacer 1-7/8" Center Hole
	3110 903110	RM-44500 Spring for 1" Arbor		3194 903194	RM-45930 Centering Cone 2" x 3.375" 1-7/8" Center Hole
	3118 903118	RM-43121 11/16" Centering Cone 19.5 x 34.93		3460 903460	RM-40164A Arbor Nut 1-7/8"
	3120 903120	RM-43120 11/16" Spacer 1" Long		3577 903577	RM-45140 Bell Clamp 6.25" OD 1-7/8" Center Hole <i>Also available with 1" Center Hole: RM-44144</i>
	3121 903121	RM-43109 11/16" Spacer 1/2" Long		3578 903578	RM-45142 Bell Clamp 7.25" OD 1-7/8" Center Hole <i>Also available with 1" Center Hole: RM-44146</i>
	3123 903123	RM-44142 Bell Clamp 5.75" OD		3581 903581	RM-45144 Bell Clamp 9.25" OD 1-7/8" Center Hole
	3125 903125	RM-40161 1/2" Spacer 1" Center Hole		3590 903590	RM-45500 Spring 1-7/8" Arbor




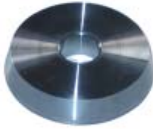

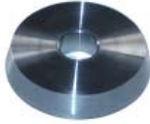

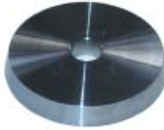








## Brake Lathe Repair Parts for Ammco® \*

Ref #	SVI Part #	Description	Ref #	SVI Part #	Description
 3900 903900	RM-43900	1" Adapter Cone Set Includes 2 Cones (3902 & 3903)	 4782 904782	RM-45906	Centering Cone 5.438" x 6.031" 1-7/8" Center Hole
 3902 903902	RM-44000	Centering Cone 1.25" x 1.75" 1" Center Hole	 4783 904783	RM-45908	Centering Cone 5.969" x 6.563" 1-7/8" Center Hole
 3903 903903	RM-44001	Centering Cone 1.25" x 1.75" 1" Center Hole	 4784 904784	RM-45910	Centering Cone 6.500" x 7.438" 1-7/8" Center Hole
 3904 903904	RM-44004	Centering Cone 1.703" x 2.750" 1" Center Hole	 4785 904785	RM-45912	Centering Cone 7.031" x 7.641" 1-7/8" Center Hole
 4347 904347	RM-47545	1" Adapter Set Available With or Without Arbor & Nut	 4786 904786	RM-45914	Centering Cone 7.578" x 8.172" 1-7/8" Center Hole
 4732 904732	RM-45903	Centering Cone 4.656" x 5.250" 1-7/8" Center Hole <i>Also Available With 1" Center Hole: RM-44015</i>	 4790 904790	RM-47120	1-7/8" x 1" Step Adapter Set of 3
 4776 904776	RM-45918	Centering Cone 2.750" x 3.333" 1-7/8" Center Hole	 8800 908800	RM-47300	Standard Hubless Adapter Kit
 4777 904777	RM-45919	Centering Cone 3.281" x 3.891" 1-7/8" Center Hole	 8995 908995	RM-47540	Medium Duty Truck Adapter Set 1-7/8" Arbor
 4778 904778	RM-45900	Centering Cone 3.828" x 4.421" 1-7/8" Center Hole <i>Also Available With 1" Center Hole: RM-44012</i>	 9192 909192	RM-44044	Double Tapered Cone 1.332" x 1.670" 33.58 x 42.42 mm
 4779 904779	RM-45902	Centering Cone 4.359" x 4.968" 1-7/8" Center Hole <i>Also Available With 1" Center Hole: RM-44014</i>	 9193 909193	RM-44046	Double Tapered Cone 2.074" x 2.440" 52.68 x 61.98 mm





## Brake Lathe Repair Parts for Ammco® \*

Ref #	SVI Part #	Description	Ref #	SVI Part #	Description
 9194 909194	RM-44048	Double Tapered Cone 2.441" x 2.897" 62.00 x 73.58 mm	 9399 909399	RM-49399	1-7/8" Adapter Set 4.656" x 5.250" 118.26 x 133.35 mm
 9195 909195	RM-44054	1" Double Tapered Cone 2.828" x 3.185" 71.83 x 80.90 mm	 9489 909489	RM-44138	Bell Clamp 3.625" OD (92.08 mm)
 9197 909197	RM-45050	1-7/8"	 9490 909490	RM-44140	Bell Clamp 4.500" OD (114.30 mm)
 9196 909196	RM-44056	1" Double Tapered Cone 3.203" x 3.560" 81.36 x 90.42 mm	 9492 909492	RM-40096	Self-Aligning Spacer
 9198 909198	RM-45052	1-7/8"	 9499 909499	RM-47550	1-7/8" Adapter Set 3.828" x 4.958" 97.20 x 126.20 mm
 9232 909232	RM-44780	1" Double Tapered Cone Set (5 pc) 1.332" x 2.897" 33.58 x 73.58 mm	 9708 909708	RM-40094	11/16 Arbor Set
 9233 909233	RM-44782	1" Double Tapered Cone Set (2 pc) 2.828" x 3.560" 71.83 x 90.42 mm	 9921 909921	RM-44040	Double Tapered Cone 1.332" x 1.6710" 33.83 x 42.42 mm
 9234 909234	RM-45782	1-7/8"	 9922 909922	RM-44042	Double Tapered Cone 1.362" x 1.710" 34.59 x 43.43 mm
 9310 909310	RM-49310	1" Adaptek Style Set (Cars & 1/2 Ton Truck) 1.84" x 3.85" 46.74 x 97.79 mm	 22138 922138	RM-43118	Spherical Washer Set
 9311 909311	RM-49311	1" Adaptek Style Set (Passenger Cars) 1.84" x 3.30" 46.74 x 83.82 mm	 25882 925882	RM-43117	11/16" Arbor Nut (Left Hand Thread)
 9312 909312	RM-49312	1" Adaptek Style Set (1 Ton Light Trucks) 3.20" x 3.85" 81.28 x 97.79 mm			
 9313 909313	RM-49313	1" Adaptek Style Set (3/4 & 1 Ton Trucks) 3.75" x 5.50" 95.25 x 139.70 mm			
 9314 909314	RM-49314	1" Adaptek Style Set (Odd Center Holes)			

## Brake Lathe Repair Parts for Ammco® \*

Ref #	SVI Part #	Description	Ref #	SVI Part #	Description
 29572 929572	RM-40601	1" Adaptek Style Base 4.80" OD 121.92 mm	 29582 929582	RM-40613	Adaptek Style Centering Cone 2.65" x 3.03" 67.31 x 76.96 mm
 29573 929573	RM-40602	1" Adaptek Style Reversible Centering Cone 2.05 x 3.99" OD 52.07 x 101.34 mm	 29583 929583	RM-40614	Adaptek Style Centering Cone 2.93" x 3.30" 74.42 x 83.82 mm
 29574 929574	RM-40603	Spacer 2.00" Long 50.08 mm	 29584 928584	RM-40615	Adaptek Style Centering Cone 3.20" x 3.58" 81.28 x 90.93 mm
 29575 929575	RM-40605	Adaptek Style Flange Plate 5.425" OD 137.80 mm	 29585 929585	RM-40616	Adaptek Style Centering Cone 3.48" x 3.85" 88.39 x 97.79 mm
29576 929576	RM-40606	Adaptek Style Flange Plate 7.200" OD 182.88 mm	29586 929586	RM-40621	Adaptek Style Centering Cone 3.75" x 4.13" 95.25 x 104.20 mm
 29577 929577	RM-40608	Adaptek Style Flange Plate 6.500" OD 165.10 mm	29587 929587	RM-40617	Adaptek Style Centering Cone 4.03" x 4.40" 102.36 x 111.76 mm
 29578 929578	RM-40607	Adaptek Style Flange Plate 5.750" OD 146.05 mm	29588 929588	RM-40618	Adaptek Style Centering Cone 4.30" x 4.68" 109.22 x 118.72 mm
 29579 929579	RM-40610	Adaptek Style Centering Cone 1.84" x 2.20" 46.74 x 55.88 mm	29589 929589	RM-40619	Adaptek Style Centering Cone 4.58" x 4.95" 116.33 x 125.73 mm
 29580 929580	RM-40611	Adaptek Style Centering Cone 2.12" x 2.48" 53.85 x 62.99 mm	29590 929590	RM-40620	Adaptek Style Centering Cone 4.85" x 5.23" 123.19 x 132.84 mm
 29581 929581	RM-40612	Adaptek Style Centering Cone 2.38" x 2.75" 60.45 x 69.85 mm	 29591 929591	RM-40630	Adaptek Style Spring

## Brake Lathe Repair Parts for Ammco®\*

Ref #	SVI Part #	Description	Ref #	SVI Part #	Description
29727 929727	RM-40622	Adaptex Style Centering Cone 4.75" x 5.50" 120.65 x 139.70 mm	900004	RM-49004	1" Standard Adapters Lathe Adapter Package D
	900001 RM-49001	1" Passenger Car Lathe Adapter Package A	900007	RM-49005	Quick Chuck Style Lathe Adapter Package E
	900002 RM-49002	1" Passenger Car & Light Truck (1/2 Ton) Lathe Adapter Package B		95000010 RM-49450	Ford F-150 Adapter
	900003 RM-49003	1" Passenger Car & Light Truck (1 Ton) Lathe Adapter Package C			

## Repair Kits for Ammco®\* and Others

### RM-50007 Boot Repair Kit for Ammco®\*

RM-42036	903085, 3085-P	2	Plastic Spindle Boot
RM-42032	923682, 23682	1	Brass Spindle Ring
RM-40041	903159, 3159	1	Snap Ring for Boot
RM-42006	904435, 4435	2	Wire Boot Ring
RM-40013	906854, 6854	3	Red Knob
RM-40012	3142, 903142	2	5/16" Brass Plug

### RM-50008 Brake Lathe Repair Kit for Ammco®\*

RM-40011	909836, 9836	1	Brass Plug
RM-42032	923682, 23682	1	Adaptor Ring
RM-11488V	906920, 6920	1	Weighted Silencer Band - Vented
RM-11486V	905280, 5280	1	1-3/4" Drum Silencer Band
RM-45001-10	906914, 6914-10	1	Negative Rake Bits (10-Pack)
RM-40013	906854, 6854	3	Red Knob
RM-42036	903085, 3085-P	1	Plastic Spindle Boot
RM-42038	907996, 7996	1	Shear Gear

## Vibration Dampeners for Ammco® \*

Ref #	SVI Part #	Description	Ref #	SVI Part #	Description
	1175 901175	RM-11491V Clip On Silencer		6922 906922	RM-41003V 9.25" Rubber Silencer (1) Sold Individually
	5280 905280	RM-11486V 1-3/4" Drum Silencer		6930 906930	RM-11498 Heavy Duty Passenger Car Weighted Silencer Band
	5290 905290	RM-11487 2-3/4" Truck Drum Silencer Band		7075 907075	RM-11497 Friction Rotor Silencer
	6920 906920	RM-11488V Weighted Silencer Band		9183 909183	RM-42002 Replacement Pad for 7075 Silencer
	6921 906921	RM-29349V 6.5" Rubber Silencer (1) Sold Individually		9800 909800	RM-11494 Spring Silencer

## Double Tapered Collet Set for Ammco® \*



**Double Taper Set • RM-44780**  
 (Ref 9232 / 909232 / 44780)

### Double Tapered Collet Set

SVI #	Ref #	Description	Fits Model #
RM-44780	9232 / 909232 / 44780	Adapter Set (1 each: RM-44044, RM-44046, RM-44048, RM-44040, RM-44042)	1000, 2002, 3000, 4000, 4100, 7000, 7700
RM-44044	9192 / 909192 / 44044	Double Taper Adapter 1.711" x 2.073"	1000, 2002, 3000, 4000, 4100, 7000, 7700
RM-44046	9193 / 909193 / 44046	Double Taper Adapter 2.074" x 2.44"	1000, 2002, 3000, 4000, 4100, 7000, 7700
RM-44048	9194 / 909194 / 44048	Double Taper Adapter 2.441" x 2.897"	1000, 2002, 3000, 4000, 4100, 7000, 7700
RM-44040	9921 / 909921 / 10476	Double Taper Adapter 1.332" x 1.67"	1000, 2002, 3000, 4000, 4100, 7000, 7700
RM-44042	9922 / 909922 / 44042	Double Taper Adapter 1.362" x 1.71"	1000, 2002, 3000, 4000, 4100, 7000, 7700

# Brake Lathe Replacement Parts for Ammco®\*



## V-Belt Style Pulley

SVI Part #	xRef	Description
RM-42030	3024	Small V-Belt Style Pulley
RM-42029	7784	Large V-Belt Style Pulley

## Lead Screw Boot

SVI Part #	xRef	Description
RM-42027	3086	Lead Screw Boot



## 1" Arbor

SVI Part #	xRef	Description
RM-42021	3101	1" Arbor for Ammco®* Models: 2002, 3000, 4000, 4100, 7000, 7500, 7700



## Drum Feed Clutch

SVI Part #	xRef	Description
RM-42081	3077	Drum Feed Clutch



## Rotor Feed Index Plate

SVI Part #	xRef	Description
RM-42012	7747	Rotor Feed Index Plate 907747, BL-10046
RM-42012-10	7747-10	Rotor Feed Index Plate - 10 Pack 907747-10



## Sliding Friction Disc

SVI Part #	xRef	Description
RM-42082	3078	Sliding Friction Disc, Drum Feed



## Coupling Assembly

SVI Part #	xRef	Description
RM-42707	7757	Coupling Assembly



## Friction Disc Assembly

SVI Part #	xRef	Description
RM-42703	3081	Friction Disc Assembly, Drum Feed



## Work Light

SVI Part #	xRef	Description
RM-40079	7963	Work Light



## Friction Disc Assembly

SVI Part #	xRef	Description
RM-42104	3082	Friction Disc Assembly, Drum Feed



## Plastic Shear Gear & Clip

SVI Part #	xRef	Description
RM-42038	7996	Plastic Shear Gear & Clip



## Plastic Boot

SVI Part #	xRef	Description
RM-42036	3085	Plastic Boot
RM-42035	3085-R	Rubber Boot



# For Accu-Turn

SVI #	Ref #	Description
BL-40000	433735	Telescoping Way Cover Assy.
BL-40001	433156	Rotor Feed Screw
BL-40002	433157	Drum Feed Screw
BL-40003	433633	T-Bolt
BL-40004	433646	Drum Feed Nut (Coarse Thread)
BL-40005	433647	Rotor Feed Nut (Fine Thread)
RM-43118	433164	11/16" Arbor Spherical Washer Set
BL-40009	433174	Rotor Runout, Ball Joint Dial Indicator Gauge
BL-40010	433641	Feed Motor 1/60 HP, 60 RPM
BL-40011	433673	Cogged Drive V-Belt
BL-40012	433682	Way Cover Spacer
BL-40013	433685	Work Lamp
BL-40014	433693	Old Style Toggle Switch w/ Pigtails
BL-40007	433701	1" Arbor
RM-44100	433712	1" Spacer
BL-40017	433713	1" Arbor Nut
BL-40018	433760	Adjusting Screw
RM-44142	433703	5.7" Hubless Adapter
BL-40015	433704	4.25" Hubless Adapter
RM-44001	433705	Centering Cone 1.187"-2.25"
RM-45918	433706	Centering Cone 2.75"-3.3334
RM-45919	433707	Centering Cone 3.281"-3.891"
RM-44040	433963	Double Taper Adapter 1.332" x 1.67" (1" Bore)
RM-44042	433708	Double Taper Adapter 1.362" x 1.710" (1" Bore)
RM-44044	433709	Double Taper Adapter 1.711" x 2.073" (1" Bore)
RM-44046	433710	Double Taper Adapter 2.074" x 2.440" (1" Bore)
RM-44048	433711	Double Taper Adapter 2.44" x 2.897" (1" Bore)
RM-44500	433716	Centering Cone Spring
RM-11486V	433782	1-3/4" Drum Silencer Length=5'8"
RM-11487V	434650	Heavy Duty 2-3/4" Truck Drum Silencer Band 6'
BL-40019	433785	Large Ventilated Disc Rotor Silencer Band
RM-29349V	433789	Small Black Solid Rotor Silencer Band (6-9") 2-pk.
RM-47550	434054	Std Light Truck Adapter Set (1" Bore)
BL-40020	434060	Disc/Rotor Mechanical Micrometer



**1" Arbor for Accu-Turn**  
**BL-40007**  
(Ref 433701)



**Telescoping Way Cover**  
**BL-40000**  
(Ref 433735)



**Rotor Feed Screw • BL-40001** (Ref 433156)  
**Drum Feed Screw • BL-40002** (Ref 433157)



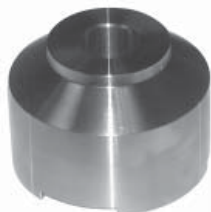
**Drum Feed Nut • BL-40004** (Ref 433646)  
(Coarse Thread - pictured)  
**Rotor Feed Nut • BL-40005** (Ref 433647)  
(Fine Thread)



**Feed Motor with Fan**  
**BL-40010** (Ref 433641)



**V Belt**  
**BL-40011**  
(Ref 433673)



**Hubless Adapters**

**RM-47550** (Ref 434054)  
**Large Range Light Truck Set**  
**1-7/8" Center Hole**  
(Also available in 1", which eliminates need for step down)



**Centering Cones**

Pictured: **RM-45918**  
(Ref 433706)

**Double Taper Adapters**

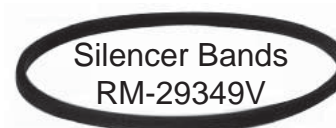
Pictured: **BL-20082**  
(Ref 433708)



**RM-11486V**  
(Ref 433782)



**RM-11487V**  
(Ref 434650)



**Silencer Bands**  
**RM-29349V**

# For Accu-Turn

SVI #	Ref #	Description
RM-11485	434061	Large Black Solid Rotor Silencer Band 10-12" (2 pk)
RM-45900	*434141	Centering Cone <i>Specify which size you need:</i> 3.828" x 4.421"
RM-45902	*434141	OR: 4.359" x 4.968"
BL-40042	*434141	OR: 3.75" x 5.125"
RM-44054	434289	Double Taper Adapter 2.828" x 3.185" (1" Bore)
RM-44056	434290	Double Taper Adapter 3.203" x 3.560" (1" Bore)
BL-40022	434292	Includes 1 Centering Cone 1.25"-1.75" (RM-44000) & 1 washer (BL-60001)
RM-44782	434295	Double Taper Adapter Truck Set (2 pcs.) (1" Bore)
<b>RM-11491V</b>	<b>434296</b>	<b>Clip-On Disc Silencer</b>
BL-40023	434470	Small Ventilated Disc Rotor Silencer Band 6-9"
RM-47120	434472	1-7/8" to 1" Step Down Adapter (set of 3)
RM-43120	434476	Spacer - 1" Long; Use on Any 11/16" Arbor
RM-43109	434477	Spacer - 1/2" Long; Use on Any 11/16" Arbor
RM-43121	434479	Centering Cone for Any 11/16" Arbor
See Cones	434639	Centering Cone 1-7/8" Bore
See Cones	434640	Centering Cone 1-7/8" Bore
RM-44138	434776	3.625" Hubless Adapter Cup
BL-10353	436050	Digital Indicator Set
RM-45903	436052	Centering Cone 4.5"-5.5"; 1-7/8" Bore
RM-45140	436053	6-1/2" Alignment Cup; 1" Bore
BL-20102	436054	Light & Med Truck Adapter Set (Set of 5)
BL-40008	436057	Hubless Rotor Adapter Set -1" Bore, 4 pcs.
BL-10354	436229	Premium Electronic Digital Rotor Micrometer
BL-10355	436230	Premium Electronic Digital Drum Micrometer
BL-10356	436258	Rotor Runout / Ball Joint Dial Indicator Gauge
BL-40024	436259	Way Wiper Kit
RM-44180	436271	Drive Dog Assy. Tool
BL-40025	436367	Drum Wear Limit Gauge
RM-47300	535635	Hubless Adapter Kit for Rotors 2-5/32" to 3-15/16" center hole
RM-47330	535636	Passenger Car Adapter Plates for Rotors 1-7/8" - Composite
RM-47327	535637	Composite Rotor Plate Set for GM 1500 Series Trucks 1-7/8"



**RM-11491V**  
**Clip-On Silencer**

### Drive Tool Assembly



- Drives rotors and drums using the lug bolts without removing pressed-in / sealed bearings
- Works on most rotors and drums with pressed-in / sealed bearings (Honda, Mazda, Nissan, Ford Probe, Toyota vans)

*Fits Any Lathe with 1" Arbor*

**RM-44180**  
(Ref 436271, 8100073, 44180)



**RM-45518-10**  
**Bit Set for Accu-Turn (10-Pack)**

**POSITIVE RAKE**  
**Accu-Turn** (Ref 433796 / 433795)



**RM-45001-10 (10-Pack)**

**NEGATIVE RAKE**

<b>Ammco</b>	(Ref 6914 / 906914)
<b>Accu-Turn</b>	(Ref 878051)
<b>FMC/John Bean/Snap On</b>	(Ref 90817)
<b>Hunter</b>	(Ref 45001)
<b>Performance</b>	(Ref 3340 / 3354)
<b>RELS</b>	(Ref 45001)



# For *Accu-Turn*

## Accuturn Style Cutting Tips & Tool Holders

RM-45518	433796	Positive Rake Cutting Tip For Accuturn Brake Lathe Models: 7700, 8910, 8911, 8920, 8922, 8944 and 8989
----------	--------	--

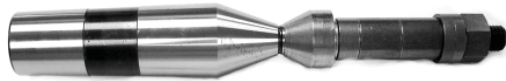
RM-45525	433763	Right Hand Tool Holder
RM-45526	433764	Left Hand Tool Holder

RM-45527	433796	Right Hand Short Positive Rake Tool Holder
----------	--------	--



RM-43428	434286	Zero Angle Positive Rake Tool Holder
----------	--------	--------------------------------------

# For All Tool



**11/16" Arbor Kit for  
 All Tool / Performance / Precision GT  
 BL-46000**  
 (Ref 5531 / 8531)



**RM-11491V  
 Clip-On Silencer**



RM-11486V



RM-11487V



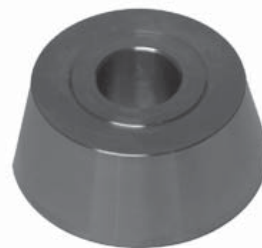
**Adjustable Ventilator Rotor Silencer  
 Band with 7 Lead Weights  
 RM-11488V**  
 (Ref 5576 / 6920 / 906920 / 11488 / BL-31003)  
 (For Neoprene, ask for RM-11488N)



**Hubless Adapter 6.25" OD  
 (1-7/8") • RM-45140**  
 (Ref 5998 / 45140)



**Double Taper Set • RM-44780**  
 (Ref 9232 / 909232 / 44780)



**Centering  
 Cones**

SVI #	Ref #	Description
RM-44780	5030D	Double Taper Adapter Set (5 pcs.) 1" bore
RM-44782	5038D	Double Taper Adapter Truck Set (2 pcs.) 1" bore
RM-44100	5509	Spacer 1"
BL-20101	5511	Light & Med Truck Adapter Set (4 pcs.)
RM-45500	5514	Large Spring for Centering Cones
BL-46000	5531	11/16" Arbor Kit
BL-46001	5542	1" Std. Arbor
BL-40017	5543	1" Std. Arbor Nut
BL-46010	5544	11/16" Arbor
RM-43117	5545	11/16" Arbor Nut
RM-43120	5560	Spacer 1" Long
RM-40161	5564	Spacer 1/2" Long
RM-44102	5566	Spacer 2" long, 1" Dia.
RM-11491V	5572	Clip-On Disc Silencer
RM-11486V	5574	1-3/4" Drum Silencer
RM-11487V	5575	Heavy Duty 2-3/4" Truck Drum Silencer Band
RM-11488V	5576	Adjustable Ventilator Rotor Silencer Band w/7 Lead Weights
RM-11485	5578	Large Black Solid Rotor Silencer Band 10-12"
RM-44710	5589	Light Truck Adapter Set (5 pcs.) 1" bore
BL-46003	5595	Rotor Adapter, Must Use RM-44001 Cone to Support Adapter
RM-47300	5950	Hubless Adapter
BL-46004	5962	Composite Rotor Clamping Plate Set
BL-46005	5973	Passenger Car Adapter Plates for Composite Rotors
BL-46006	5974	Hubless Adapter & Passenger Car Plates
BL-46007	5986	Centering Cone 1" bore
RM-45140	5998	6.25" OD Alignment Cup (1-7/8")
RM-45142	5999	7-3/4" Alignment Cup (1-7/8")

# For FMC/John Bean

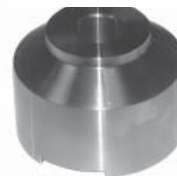
SVI #	Ref #	Description
BL-50005	90043	1" Arbor
RM-43121	90054 / 903118 / 43121	Centering Cone for Any 11/16" Arbor, 1" bore
RM-43109	90055 / 903121 / 43109	Spacer 1/2" Long; Use on Any 11/16" Arbor
RM-43120	90056	Spacer 1" Long; Use on Any 11/16" Arbor
BL-50000	90070	Hex Drive for 90071 Rotor Feed Screw
BL-50001	90071	Rotor Feed Screw
BL-50002	90077	Rotor Feed Nut
RM-44500	90155 / 903110 / 44500	Centering Cone Spring
RM-44010	90157	Centering Cone 3.421" - 4.031" 1" bore
RM-44001	90159 / 903903 / 44001	Centering Cone 1.187" x 2.25" 1" bore
RM-11485	90194 / 434061	Large Black Solid Rotor Silencer Band 10-12"
RM-29349V	90196 / 6921 / 29341	Small Black Solid Rotor Silencer Band 6-9"
RM-11482	11482 / 6921 & 6922	Solid Rotor Silencer Bands (1-Small & 1-Large)
RM-11491V	90198	Clip-On Disc Silencer
BL-40020	90317	Disc/Rotor Mechanical Micrometer
BL-20150	90318	Metric Disc/Rotor Micrometer
RM-44138	90510	3.625" Hubless Adapter Cup 1" Bore
RM-44140	90511	4.5" Hubless Adapter Cup, 1" Bore
RM-44100	90554	Spacer 1"
RM-44102	90556	Spacer 2"
RM-47550	90559	Light Truck Adapter Set 1" Bore
RM-44001	90562	Centering Cone 1.187" - 2.25" 1" Bore
RM-44142	90581	5.7" Hubless Adapter 1" Bore
BL-20151	90621	Centering Cone 3-5/8" - 5-1/8"
BL-20152	90622	Centering Cone 5" - 6-1/8"
RM-44144	90628x	6-1/2" Alignment Cup with 1" Bore
RM-45140	90628	6-1/2" Alignment Cup with 1-7/8" Bore
RM-45500	90630	Large Spring for Centering Cone



**1" Arbor**  
**BL-50005** (Ref 90043)



**RM-11491V**  
**Clip-On Silencer**



**RM-44138**  
(Ref 90510)



**BL-50002**  
(Ref 90077)  
**For FMC Models 601 & 701**  
**and Snap-On EEBR300A**



**RM-47550** (Ref 90559)  
**Large Range Light Truck Set**  
**1-7/8" Center Hole**  
(Also available in 1", which eliminates the need for step down)

# For FMC/John Bean

BL-20153	90667	Drum Feed Screw
RM-47300	90881 92039	Hubless Adapter Kit
BL-40017	90905	1" Arbor Nut
RM-44782	90912	Double Taper Adapter Truck Set (2 pcs) 1" Bore
RM-45903	90923	Centering Cone 4.5" - 5.5" 1-7/8" Bore
RM-44004	90924	Centering Cone 1.703" - 2.75" 1" Bore
RM-44006	90925	Centering Cone 2.328" - 2.968" 1" Bore
RM-44008	90926	Centering Cone 2.89" - 3.5" 1" Bore
RM-44010	90927	Centering Cone 3.421" - 4.031" 1" bore
RM-44142	90929	5.7" Hubless Adapter 1" Bore
RM-45500	90959	Large Spring for Centering Cone
BL-46005	90967	Composite Rotor Clamping Plate set (2 pcs)
BL-20154	90968	Jeep Cherokee/Eagle Plate (Double-Sided)
BL-40019	90982	Large Ventilated Disc Rotor Silencer Band 10-12"
RM-11487V	90983	Heavy Duty 2-3/4" Truck Drum Silencer Band 6'
<b>RM-11488V</b>	<b>90984</b>	<b>Adjustable Ventilated Rotor Silencer Band with 7 Lead Weights</b>
BL-40023	90985	Small Ventilated Disc Rotor Silencer Band 6-9"
BL-20155	90986	Small Non-Ventilated Solid Rotor Silencer 6-9"
BL-20156	90987	Large Non-Ventilated Solid Rotor Silencer 10-12"
<b>RM-11486V</b>	<b>90988</b>	<b>1-3/4" Drum Silencer for Automotive Drums 5'8"</b>
BL-20157	90989	Universal Ventilated Rotor Silencers, Non-Adjustable
BL-60000	92004	1" Arbor
RM-44780	92014	Double Taper Adapter Set (5 pcs.) 1" bore
RM-47300	92039	Hubless Adapter Kit
BL-50004	1016845	Drum Nut Feed

**RM-11486V**  
**1-3/4" Drum Silencer**



**Spring**  
**RM-44500**  
(Ref 3110 / 903110 /  
44500 / 433716 /  
8548 / 90155)



**1" Arbor**  
**BL-60000**  
(Ref 92004)



## FMC Style Cutting Tips & Tool Holders

RM-45520	90488	Positive Rake Cutting Tip
----------	-------	---------------------------

	90489	Curved Tool Holder Set
--	-------	------------------------

RM-45030	90489R	RH Tool Holder
----------	--------	----------------

RM-45031	90489L	LH Tool Holder
----------	--------	----------------


**Alignment Cups**

**Hubless Adapters**
**RM-11491V**
**Clip-On Silencer**

**RM-47550 (OE RP8-8511)**
**Large Range  
Light Truck Set**

1-7/8" Center Hole

*(Also available in 1", which eliminates need for step down)*
**Drive Tool Assembly**

**RM-44180**

(Ref 436271, 8100073, 44180)

- Drives rotors and drums using the lug bolts without removing pressed-in / sealed bearings
- Works on most rotors and drums with pressed-in / sealed bearings (Honda, Mazda, Nissan, Ford Probe, Toyota vans)
- Fits any lathe with 1" arbor

# For Hunter

SVI #	Ref #	Description
RM-44100	RP8-8409	1" Spacer
See Centering Cones Section	RP8-8477	Centering Cone 3-5/8" - 5-1/8" (1" Bore)
RM-47550	RP8-8511	Light Truck Adapter Set (1" Bore)
RM-44138	RP8-8527	3.625" Hubless Adapter Cup
RM-44000	RP8-8528	Centering cone 1.25" - 1.75" (1" Bore)
RM-44142	RP8-8546	5.7" Hubless Adapter 1" Bore
RM-44500	RP8-8548	Centering Cone Spring
RM-44010	RP8-8550	Centering Cone 3.421"-4.031" (1" Bore)
RM-44007	RP8-8552	Centering Cone 2.65"-3.224" (1" Bore)
RM-44004	RP8-8554	Centering Cone 1.703"-2.75" (1" Bore)
RM-43121	RP8-8558	Centering Cone 0.75" X 1.375" for any 11/16" Arbor
RM-40161	RP8-8564	1/2" Long Spacer (1" Bore)
RM-44102	RP8-8566	2" Spacer
RM-44140	RP8-8582	4.5" Hubless Adapter Cup (1" Bore)
<b>BL-46001</b>	<b>RP8-9019</b>	<b>1" Std Arbor</b>
RM-47120	20-1333-1	1-7/8" to 1" Step Down Adapter (set of 3)
RM-47300	20-1263-2	Hubless Adapter Kit
BL-10356	25-99-2	Rotor Runout/Ball Joint Dial Indicator Gauge
BL-40020	25-123-2	Disc/Rotor Mechanical Micrometer
RM-40096	46-432-2	Self Aligning Spacer
RM-44100	46-440-2	Spacer 1"
RM-44102	46-441-2	Spacer 2"
BL-20158	58-134-2	Solid Magnetic Rotor Silencer Band
BL-40017	97-394-2	1" Arbor Nut
<b>BL-20159</b>	<b>97-422-2</b>	<b>1" Arbor</b>
RM-45500	98-344-2	Large Spring for Centering Cones
RM-44500	98-345-2	Centering Cone Spring
<b>RM-11491V</b>	<b>175-185-2</b>	<b>Clip-On Disc Silencer</b>
<b>RM-11486V</b>	<b>175-186-2</b>	<b>1-3/4" Drum Silencer 5/8"</b>
<b>RM-11487V</b>	<b>175-187-2</b>	<b>2-3/4" Truck Drum Silencer Band</b>
<b>RM-11488V</b>	<b>175-188-2</b>	<b>Adjustable Ventilated Rotor Silencer Band w/7 Wts.</b>
<b>RM-29349V</b>	<b>175-189-2</b>	<b>Small Black Solid Rotor Silencer Band 6-9"</b>
RM-11485	175-190-2	Large Non-Ventilated Solid Rotor Silencer Band
RM-44140	175-233-2	4.5" Hubless Adapter Cup
RM-44144	175-251-2	6.5" Alignment Cup (1" Bore)
RM-45142	175-192-2	7-3/4" Alignment Cup (1" Bore)
<b>RM-11494V</b>	<b>175-276-1</b>	<b>Ventilated Rotor Spring Silencer Assy. (4 Springs)</b>
RM-40194	179-27-2	Universal Chip Safety Shield ( <i>shield only</i> ) Fits Light
See Centering Cones Section	192-105-2	Centering Cone 3.95"-6" (1-7/8" Bore)
RM-45906	192-106-2	Centering Cone 5.438"-6.031" (1-7/8" Bore)
RM-44004	192-111-2	Centering Cone 1.703"-2.75" (1" Bore)
RM-44007	192-112-2	Centering Cone 2.65"-3.224" (1" Bore)
RM-44010	192-113-2	Centering Cone 3.421"-4.031" (1" Bore)
RM-45903	192-120-2	Centering Cone 4.5"-5.5" (1-7/8" Bore)
See Centering Cones Section	192-124-2	Centering Cone 3.95"-6" (1-7/8" Bore)
RM-44180	8100073	Drive Tool Assembly
<b>BL-20182</b>	<b>2216263</b>	<b>Micro Round Bits for Hunter On-Car Lathe OCL360</b>


**1" Arbor Set  
BL-46001**  
(Ref RP8-9019)

**Silencer Bands**

**Centering Cones**

**1" Arbor  
BL-20159**  
(Ref 97-422-2)

**Springs**

**Safety Shield  
RM-42001**

Page

# For Kwikway



**Hubless Adapter Kit**  
**RM-47300**  
(Ref 102-0900-01 /  
8800 / 47300)



RM-43109

SVI #	Ref#	Description
BL-20160	1252-18	Work Lamp
RM-44500	000-1806-70	Centering Cone Spring
RM-11486V	101-0230-10	1-3/4" Drum Silencer 5'8"
RM-44142	101-0235-40	5.7" Hubless Adapter (1" Bore)
RM-44010	101-0237-02	Centering Cone 3.421"-4.031" (1" Bore)
RM-44000	101-0242-45	Centering Cone 1.25"-1.75" (1" Bore)
RM-44004	101-0243-00	Centering Cone 1.703"-2.75" (1" Bore)
RM-44040	101-0260-02	Double Taper Adapter 1.332"-1.67" (1" Bore)
RM-44042	101-0260-12	Double Taper Adapter 1.362"-1.71" (1" Bore)
RM-44044	101-0260-22	Double Taper Adapter 1.711"-2.073" (1" Bore)
RM-44046	101-0260-32	Double Taper Adapter 2.074"-2.44" (1" Bore)
RM-44048	101-0260-42	Double Taper Adapter 2.441"-2.897" (1" Bore)
RM-44054	101-0260-52	Double Taper Adapter 2.828"-3.185" (1" Bore)
RM-44056	101-0260-62	Double Taper Adapter 3.203"-3.56" (1" Bore)
RM-45140	101-0635-00	6.5" Alignment Cup
BL-20161	101-0637-04	1-7/8" to 1" Step Down Adapter
RM-45500	101-0638-01	Large Spring for Centering Cone
RM-45903	101-0639-00	Centering Cone 4.5"-5.5" (1-7/8" Bore)
RM-45906	101-0644-09	Centering Cone 5"-6-1/8" (1-7/8" Bore)
RM-43109	102-1056-00	Spacer 1/2" Long; Use on Any 11/16" Arbor
RM-43120	102-1057-00	Spacer 1" Long; Use on Any 11/16" Arbor
RM-43121	102-1058-00	Centering Cone for Any 11/16" Arbor (1" bore)
RM-11491V	102-1075-00	Clip-On Disc Silencer
RM-44782	102-1078-00	Double Taper Adapter Truck Set
RM-47300	102-0900-01	Hubless Adapter Kit
RM-29349V	*108-1060-00	SMALL Solid Rotor Silencer Band 6-9"
RM-11485	*108-1060-00	LARGE Solid Rotor Silencer Band 10-12"
BL-40023	*108-1061-00	SMALL Ventilated Disc Rotor Silencer Band
BL-40019	*108-1061-00	LARGE Ventilated Disc Rotor Silencer Band
RM-11488V	108-1062-00	Adjustable Ventilated Rotor Silencer Band w/7 Wts.
RM-44138	109-1011-09	3.625" Hubless Adapter Cup
RM-44140	109-1012-06	4.5" Hubless Adapter Cup
RM-44100	109-1032-09	Spacer 1"
RM-44102	109-1033-06	Spacer 2"

\*Part # reference is for LARGE or SMALL, please specify correct Part # when ordering



1" long spacer

# For Perfect Hofmann/RJ West

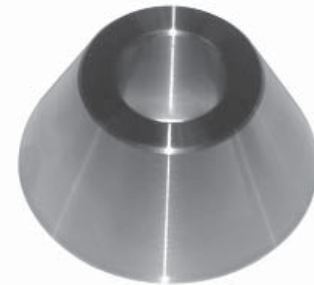
SVI #	Ref #	Description
RM-11486V	BDL140	1-3/4" Passenger Car Drum Silencer 5'8"
RM-11487V	BDL140-1	Heavy Duty Truck Drum Silencer Band 6'
BL-20169	BDL251	Work Lamp
RM-45903	BDL500-2	Centering Cone 4.5"-5.5" 1-7/8" bore
<b>BL-70000</b>	<b>CL538-1</b>	<b>1" Arbor</b>
RM-44001	CW94	Centering Cone 1.187"-2.25" 1" bore
RM-44142	CW96	5.7" Hubless Adapter 1" bore
RM-40161	W98	Spacer 1/2" Long
RM-44100	W99	Spacer 1"
BL-20172	W100	Spacer 1-1/2"
RM-44102	W101	Spacer 2"
RM-45500	W108	Large Spring for Centering Cones
RM-44010	W110	Centering Cone 3.421"-4.031" 1" Bore
RM-44006	W111	Centering Cone 2.328"-2.968" 1" Bore
RM-44004	W112	Centering Cone 1.703"-2.75" 1" Bore
RM-44000	W113	Centering Cone 1.25"-1.75" 1" Bore
RM-44138	W114	3.625" Hubless Adapter Cup
RM-44140	W115	4.5" Hubless Adapter Cup
RM-11485	W116	Large Solid Rotor Silencer 10-12"
BL-40019	W117	Large Ventilated Disc Rotor Silencer Band 10-12"
RM-44040	W118	Double Taper Adapter 1.332"-1.67" 1" Bore
RM-44046	W119	Double Taper Adapter 2.074"-2.44" 1" Bore
RM-44048	W129	Double Taper Adapter 2.441"-2.897" 1" Bore
RM-29349V	W131	Small Solid Rotor Silencer 6-9"
RM-44044	W133	Double Taper Adapter 1.711"-2.073" 1" Bore
RM-44054	W134	Double Taper Adapter 2.828"-3.185" 1" Bore
RM-44056	W135	Double Taper Adapter 3.203"-3.56" 1" Bore
RM-45140	W143	6.5" Alignment Cup
RM-43121	W173	Centering Cone for Any 11/16" Arbor 1" Bore
RM-43120	W174-1	Spacer 1" Long; Use on Any 11/16" Arbor
RM-47300	108950 20107023	Hubless Adapter Kit



**1" Arbor**  
 for Hofmann / RJ West  
**BL-70000**  
 (Ref CL538-1)



Centering  
 Cone



**RM-44056**  
 (Ref W135)

## Silencer Band



**RM-11486V**  
 (Ref BDL140)

SVI  
 is your  
 answer!

# For Performance



### Shear Gear & C-Clip

**Order RM-42038**

(Ref 7996 / 907996 / 42038 / 6996 / BL-10051)



### Spindle Ring

**RM-42032**

(Ref 23682 / 923682 / 42032 / BL-10071)



### Spring

**RM-44500**

(Ref 3110 / 903110 / 44500 / 433716 / 8548 / 90155)

SVI #	Ref #	Description
RM-42036	6085	Spindle Protective Boot, use with 6087
RM-42032	6087	Bronze Boot Ring
RM-42002	6783	Replacement Silencer Pads
BL-10355	6800	Electronic Digital Drum Micrometer
BL-10354	6900	Electronic Digital Rotor Micrometer
RM-29349V	6921	Small Solid Rotor Silencer Band 6-9"
RM-42038	6996	Shear Gear & C Clip
RM-45906	7634	Centering Cone 5.438" - 6.031" 1-7/8" bore
RM-47120	8448	1-7/8" to 1" Step Down Adapter (set of 3)
BL-20101	8511	Light & Med. Truck Adapter Set (4 pcs.)
RM-44138	8527	3.625" Hubless Adapter Cup
BL-46000	8531	11/16" Arbor kit
BL-46001	8542	1" Arbor
BL-40017	8543	1" Arbor Nut
RM-43117	8545	11/16" Arbor Nut
RM-44142	8546	5.7" Hubless Adapter Cup
RM-44142	8547	same as above
RM-44500	8548	Centering Cone Spring
RM-44010	8550	Centering Cone 3.421" - 4.031" 1" bore
RM-44007	8552	Centering Cone 2.65" - 3.224" 1" bore
RM-44004	8554	Centering Cone 1.703" - 2.75" 1" bore
RM-43121	8558	Centering Cone for any 11/16" arbor 1" bore
RM-43120	8560	1" Long Spacer, use on any 11/16" arbor
	8562	1" Long Spacer - same as above, order 2
RM-40161	8564	1/2" long spacer
RM-44102	8566	2" spacer
RM-11491V	8572	Clip on Disc Silencer
RM-11486V	8574	1-3/4" Drum Silencer 5'8"
RM-11487V	8575	Hvy Dty 2-3/4" Truck Drum Silencer Band
RM-11488V	8576	Adjustable Ventilated Rotor Silencer Band
RM-11485	8578	Large Solid Rotor Silencer Band 10-12"
RM-44140	8582	4.5" Hubless Adapter Cup
RM-40194	8865	Universal Chip Safety Shield
RM-47300	8950	Hubless Adapter Kit


**Spindle Boot • RM-42036**  
 (Ref 3085 / 903085 / 42036 / 6085)

**Heavy Duty Drum Silencer Band**

**RM-11491V**  
**Clip-On Silencer**

**11/16" Arbor Set • BL-46000**  
 (Ref 8531 / 5531)

**1" Arbor Set • BL-46001**  
 (Ref 8542 / 5542 / RP8-9019)


A family owned  
American enterprise!



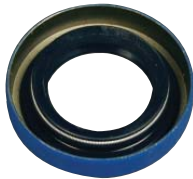
# For Ranger



**Motor Mount Bracket**  
RM-40053



**Crossfeed Boot**  
RM-42026



**Oil Seal**  
RM-40039



**Oil Seal**  
RM-42057



**3-Arm Red Knob**  
RM-40013  
(Ref 5326112 / BL-10037)

SVI #	Ref #	Description
RM-40053		Motor Mount
RM-40004		Upper Boring Bar Clamp
RM-42007	5326104	Stud for Boring Bar
RM-40006	5326104	Stud for Boring Bar
RM-42026		Crossfeed Boot
RM-40039		Oil Seal
RM-42057		Oil Seal for Spindle
RM-40013	5326112	Red Knob
RM-40103	5326123	Dial Assembly
RM-40095		Twin Cutter
RM-40067	5326103	Front Clamp
RM-40143	5326124	Lock Nut Assembly
RM-40005		Lower Boring Bar Clamp
RM-40111		Rear Flange Paper Shim
RM-40030		Thrust Washer
RM-40033	5326144	Oil Seal Adapter Ring
RM-40106		Drum Boring Bar
RM-42001		Safety Plastic Shield
RM-40014A		Handwheel Assembly
RM-40071		Locking Rod
RM-40031	5326143	Quill Gear
RM-40031XL	5326263	Extended Quill Gear
RM-40040	5326135	Drive Shaft Worm Gear
RM-40073	5326128	Serpentine Belt
RM-40074H	5326095	Serpentine Feed Motor Belt (RL-8500 / RL-8500XLT)
RM-40239		90 Volt Feed Motor - Fits Ranger RL-8500
RM-50001		Serpentine Pulley Kit
RM-45016M-10		Cutting Bits - Positive Rake (10-Pack)
RM-11497		Friction Rotor Silencer
BL-40017		1" Arbor Nut
RM-50002		Service Kit for RL-8500, RL-8500XLT



**Front Clamp**  
RM-40067  
(Ref 5326103, BL-10054)



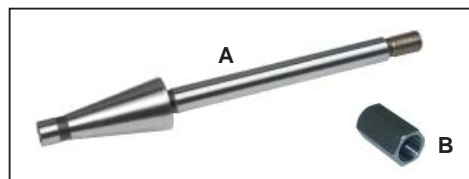
**Quill Gear**  
RM-40031  
(Ref 5326143, BL-10160, 40031)



**Oil Seal Adapter Ring**  
RM-40033 (Ref 5326144)



**90 Volt Feed Motor**  
Fits Ranger RL-8500  
RM-40239



1" Arbor for Ranger  
RL-8500 / RL-8500XLT

A	RM-40080	1" Arbor
B	RM-40081	1" Arbor Nut

**Service Kit for  
Ranger RL-8500  
and RL-8500XLT**  
RM-50002



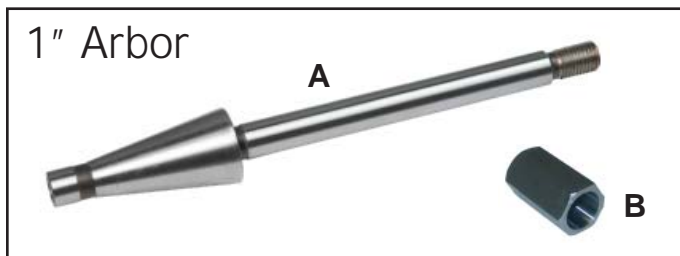
**Friction Rotor Silencer**  
RM-11497

# For Rels

SVI #	Ref #	Description
RM-29349V	11484	Small Solid Rotor Silencer
RM-11485	11485	Large Solid Rotor Silencer
RM-11486V	11486	1-3/4" Passenger Car Drum Silencer
RM-11487V	11487	Heavy Duty 2-3/4" Truck Drum Silencer Band
RM-11488V	11488	Adjustable Ventilated Rotor Silencer Band
RM-11491V	11491	Clip-On Disc Silencer
BL-20155	11492	Small Non-Ventilated Solid Rotor Silencer
BL-40017	24074	1" Standard Arbor Nut
<b>BL-60000</b>	<b>24826</b>	<b>1" Standard Arbor</b>
RM-40031	40031	Quill Gear 2000
RM-40031XL	40031XL	Quill Gear 2000XL
RM-43120	40110	Spacer 1" long; Use with Any 11/16" Arbor
RM-43118	43118	11/16" Arbor Spherical Washer Set
RM-43109	40119	Spacer 1/2" Long; Use on Any 11/16" Arbor
RM-43121	40121	Centering Cone for Any 11/16" Arbor
RM-44001	44000	Centering Cone 1.187"-2.25" 1" Bore
	44001	(same)
RM-44004	44004	Centering Cone 1.703"-2.75" 1" Bore
RM-44006	44006	Centering Cone 2.328"-2.968" 1" Bore
RM-44007	44007	Centering Cone 2.65"-3.224" 1" Bore
RM-44008	44008	Centering Cone 2.89"-3.5" 1" Bore
RM-44010	44010	Centering Cone 3.421"-4.031" 1" Bore
RM-45903	44016	Centering Cone 4.5"-5.5" 1-7/8" Bore
RM-44040	44040	Double Taper Adapter 1.332"-1.67" 1" Bore
RM-44042	44042	Double Taper Adapter 1.362"-1.71" 1" Bore
RM-44044	44044	Double Taper Adapter 1.711"-2.073" 1" Bore
RM-44046	44046	Double Taper Adapter 2.074"-2.44" 1" Bore
RM-44048	44048	Double Taper Adapter 2.441"-2.897" 1" Bore
RM-44054	44054	Double Taper Adapter 2.828"-3.185" 1" Bore
RM-44056	44056	Double Taper Adapter 3.203"-3.56" 1" Bore
RM-44100	44100	Spacer 1"
RM-44102	44102	Spacer 2"



**Work Light**  
**RM-40079**  
 (Ref 907963 / 40079)



**For Rels 2000, 2000XL**  
**For Ranger RL-8500 and RL-8500XL**

- A RM-40080 1" Arbor
- B RM-40081 1" Arbor Nut



SVI #	Ref #	Description
BL-20161	44130	1-7/8" to 1" Step Down Adapter
RM-44138	44138	3.625" Hubless Adapter Cup 1" bore
RM-44140	44140	4.25" Hubless Adapter Bell Clamp 1" bore
RM-44142	44142	5.7" Hubless Adapter 1" bore
RM-45140	44144	6.5" Alignment Cup 1" bore
RM-45142	44146	7.75" Alignment Cup 1" bore
RM-44180	44180	Drive Dog Tool Assy.
RM-44301	44301	Hubless Locator
BL-20167	44303	Hubless Cone
BL-20154	44340	Jeep Cherokee/Eagle Premier Double-Sided Plate
BL-20154	44342	Jeep Cherokee/Eagle Premier Double-Sided Plate
BL-20154	44343	Jeep Cherokee/Eagle Premier Double-Sided Plate
BL-20175	44344	Double-Sided Plate for Chrysler, Ford & GM
BL-20175	44345	Double-Sided Plate for Chrysler, Ford & GM
BL-20175	44346	Double-Sided Plate for Chrysler, Ford & GM
BL-20174	44348	Backing Plate for Passenger Cars
BL-20177	44350	Adapter Plate for Chevy 1500 series & Lt. Trucks
BL-20176	44352	Backing Plate for Chevy 1599 series & Lt. Trucks
RM-45500	45500	Large Spring for Centering Cone
RM-44710	44710	Economy Light Truck 5 pc. Adapter Set - 1" Hole
RM-45710	45710	Economy Light Truck 5 pc. Adapter Set - 1-7/8" Hole
RM-44780	44780	Double Taper Adapter Passenger Car/Lt. Truck Set
RM-44782	44782	Double Taper Adapter Truck Set
RM-47120	47130	1-7/8" to 1" Step Down Adapter (set of 3)
RM-47300	47300	Hubless Rotor Adapter (5 pcs)
RM-47330	47325	Composite Rotor Clamping Plate
RM-47327	47327	Composite Rotor Clamping Plate for GM 100 & Lt. Trucks
RM-47330	47330	Composite Rotor Clamping Plate
BL-40020	73622	Disc/Rotor Mechanical Micrometer
BL-40026	73645	Drum Wear Limit Gauge for Passenger Cars (6"-14.25")
BL-40025	73656	Drum Wear Limit Gauge for Pass. Cars - Trucks (6"-22")
RM-40079	40079	Work Light / Lamp



**1" Arbor**  
**BL-60000**  
 (Ref 24826)

# RELS Lathe Replacement Parts

## Brass Plugs & Spring

SVI Part #	xRef	Description
A RM-40010	2064	Spring
B RM-40011	9836	Brass Plug
C RM-40012	3142	Brass Plug
D RM-42096	3141	Brass Plug

All sold individually, or in packs of 30.



## Main Motor with Mount

RM-40052A (Ref 216501)

SVI Part #	xRef	Description
-- RM-40052A	216501	Motor w/Mount
A RM-40052	2165	Motor
B RM-40053	3009	Mount



## Red Knob

SVI Part #	xRef	Description
RM-40013	6854	Red Knob



## Guide Bar

SVI Part #	xRef	Description
RM-40063	10346	Guide Bar (19" Long)
RM-42025	7782	Old Style Slotted Bar (17" Long)



## Crossfeed Handwheel Assembly

SVI Part #	xRef	Description
RM-40014A	9626	Crossfeed Handwheel Assembly

## Lead Screw Nut

SVI Part #	xRef	Description
RM-40068		RELS Extended Rotor Feed Nut (Base 1.38")
RM-42100	910868X	Extended Rotor Feed Nut (Base 0.65") for Ammco*
RM-42003	910868	Rotor Feed Nut (Base 0.15") for Ammco*



## Quill Gear

SVI Part #	xRef	Description
RM-40031	9830	Quill Gear



## Belts

SVI Part #	xRef	Description
RM-40073	40141	Main Motor Serpentine Belt
RM-42031	3161	Main Motor V-Belt, Old Style
RM-40074H		Serpentine Feed Belt



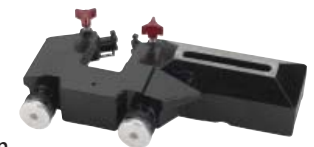
## Oil Seals

SVI Part #	xRef	Description
RM-41569V	40034	Spindle Oil Seal
RM-42057	3164	Spindle Seal (1)
RM-42057-2	3164-2	Spindle Oil Seal (2-pack)
RM-40039	3163	Bearing Seal



## Twin Cutter

SVI Part #	xRef	Description
RM-40095		Twin Cutter with RELS Positive Rake Tool Holders
RM-40095N	6950	Twin Cutter with Ammco** Style Negative Rake Tool Holders



## Worm Gear / Drive Shaft

SVI Part #	xRef	Description
RM-40040	9847	Worm Gear / Drive Shaft

## Twin Cutter Dial Assembly

SVI Part #	xRef	Description
RM-40103	6901	Twin Cutter Dial Assembly



# RELS Lathe Replacement Parts

## Control Boards

SVI Part #	xRef	Description
RM-40119		24 Volt Control Board
RM-40229		90 Volt Control Board



## Fuse Holder

SVI Part #	xRef	Description
RM-40172		Fuse Holder
RM-40178B		2 amp Glass Fuse



## Feed Motors

SVI Part #	xRef	Description
RM-40139		24 Volt Feed Motor
RM-40239		90 Volt Feed Motor



## Switches

SVI Part #	xRef	Description
RM-40174	40174A	Rocker On/Off Switch
RM-40176		Toggle Switch
RM-40201		Toggle Boot



## Locking Nut Assembly and Studs

SVI Part #	xRef	Description
RM-40143	11227	Locking Nut Assembly
RM-42007	3031	Boring Bar Stud
RM-40006	3031-1	Boring Bar Stud



## Speed Dial Knob / Potentiometer

SVI Part #	xRef	Description
RM-40175		Speed Dial Knob
RM-40221		Potentiometer



## Wrenches

SVI Part #	xRef	Description
RM-40144	3022	Large Wrench
RM-40145	3218	Small Wrench
RM-25110		Spanner Wrench



## Crossfeed Boot

SVI Part #	xRef	Description
RM-42026	3087	Crossfeed Boot



## Bench

SVI Part #	xRef	Description
RM-40156	2500 902500	Bench

*Ships Unassembled*



## Serpentine Pulley Kit / Pulleys

**Fits the following lathe models:**

**Ammco®\* models:** 3000, 4000, 4100, 7500, 7700.

**Ranger models:** RL-8500, RL-8500XLT

**RELS models:** 2000, 2000XL

Replacing older style V-Belt Style Pulleys with the 50001 kit increases the RPMs for a quieter lathe and will also reduce chatter and vibration. 2 speed pulleys: 150 & 200 RPM



SVI Part #	xRef	Description
RM-50001	940175, 40175	Serpentine Pulley Kit
RM-40021	9040142, 40142	Large Pulley
RM-40022	940146, 40146	Small Pulley
RM-40073	940141, 40141	Serpentine Belt



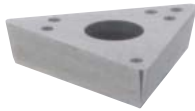
## Chip Funnel Catcher & Bucket

SVI Part #	xRef	Description
RM-40168	7048	Chip Funnel Catcher & Bucket

# RELS Cutting Bits & Tool Holders



SVI Part #	xRef	Description
RM-24176		Drum Bit for Model 204
RM-24209		Drum Bit for Model 304



RM-42365-10	42365	Cutting Tip for Model 504
-------------	-------	---------------------------



RM-45016		Cutting Tip for Model 2000 (Positive Rake) 10 Pack
RM-45016-50		50 Pack
RM-45016-100		100 Pack



RM-45003	10651	Round Twin Cutter Tool Holder (Right Hand)
----------	-------	--



SVI Part #	xRef	Description
RM-29687-10		Rotor Inserts (10-pack) for Model 204 - Positive Rake

RM-3836R		RH Tool Holder (504)
RM-3836L		LH Tool Holder (504)



RM-45700		Positive Rake Tool Holder Set
RM-45014		LH Tool Holder
RM-45015		RH Tool Holder
RM-45035		Drum Holder



RM-45004	10650	Round Twin Cutter Tool Holder (Left Hand)
----------	-------	---

## Service Kit for RELS and Ranger

RM-50002 Brake Lathe Service Kit  
 Small Kit with common wearable replacement parts to service your Brake Lathe.

**Works with Brake Lathe Models:**

RELS 2000, 2000XL

Ranger RL-8500, RL-8500XLT

**Includes:**

- (1) Cross Feed Dust Boot
- (5) 5/16" Brass Plugs
- (2) 1/4" Brass Plugs
- (1) Spring
- (2) Set Screws
- (4) Red Knobs
- (2) Spindle Oil Seals
- (1) Main Drive Belt



## Rotor Feed Repair Kit for FMC / Snap-On

RM-51002 Rotor Feed Repair Kit for FMC 601/701 and Snap-On

BL-50043	20494, 9002494	Rotor Feed Detent Spring
RM-45020-10	90487, 90488	Positive Rake Standard Bits (10)
BL-50002	90077	Rotor Feed Nut
BL-50001	90071	Rotor Feed Screw

# For Van Norman



Alignment Cups



**Spanner Wrench**  
**RM-25110**  
 (Ref 125110)



**1" Arbor**  
**BL-60000**  
 (Ref 204042)

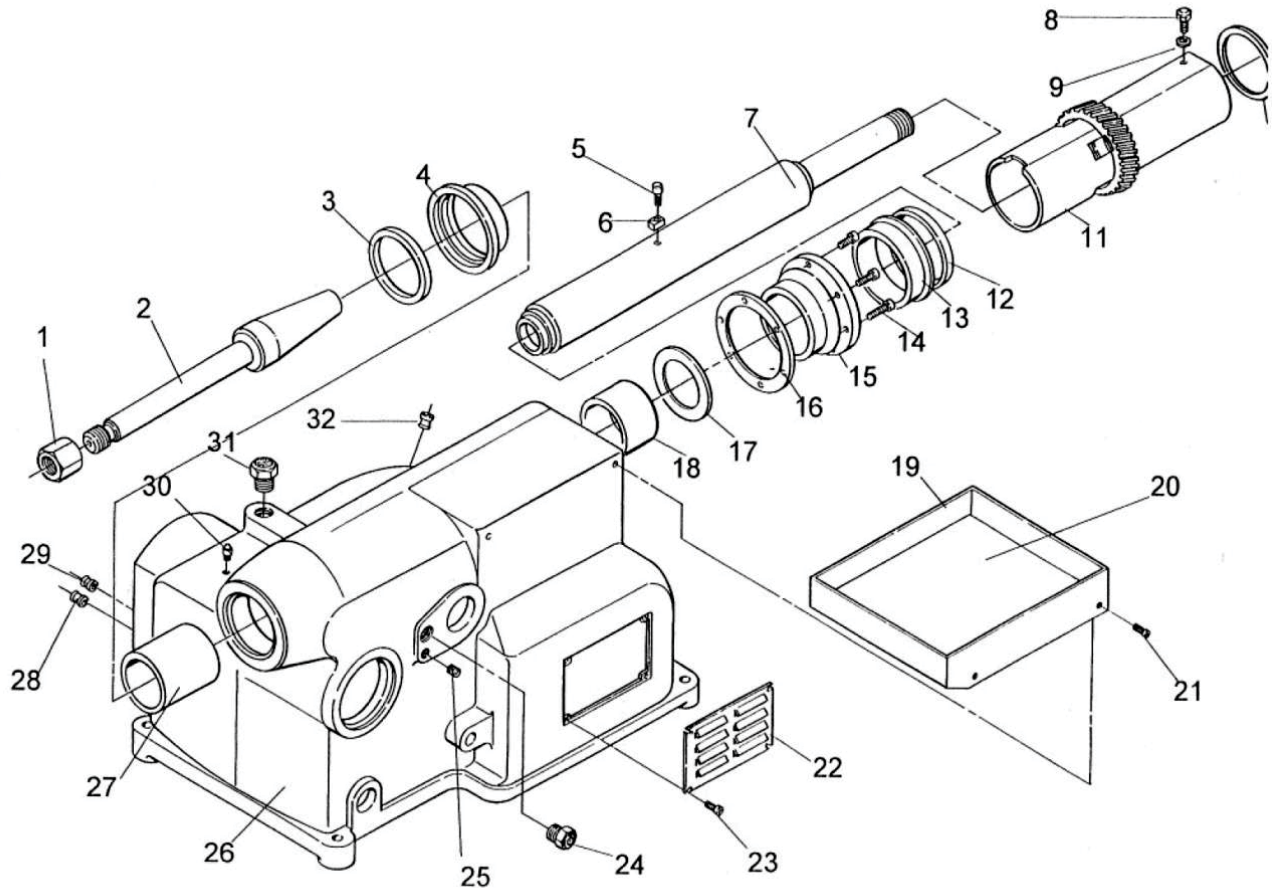
Bell Clamps



**Hubless Adapter Kit**  
**RM-47300**

SVI #	Ref #	Description
RM-11488V	111485	Adjustable Ventilated Rotor Silencer Band
RM-11486V	111486	1-3/4" Drum Silencer for Automotive Drums
RM-25110	125110	Hubless Spanner Wrench
BL-20165	201022	Hubless Locking Nut
RM-47300	201023	Hubless Adapter Kit
<b>BL-60000</b>	<b>204042</b>	<b>1" Arbor</b>
BL-60000-3	204042-EXT	1" Arbor (3" Longer)
BL-60001	204240	Washer for BL-60000 arbor
BL-60002	865656	1" Arbor Only
BL-40017	204074	Standard 1" Arbor Nut
RM-44102	204209	Spacer 2"
RM-44100	204210	Spacer 1"
RM-45142	205300	7.75" Alignment Cup
RM-45140	205301	6.5" Alignment Cup
RM-44142	300108	5.7" Hubless Adapter
RM-44301	415177	Hubless Locator
BL-20167	415185	Hubless Cone
BL-20168	415186	Hubless Spacer
RM-45500	780300	Large Spring for Centering Cone
BL-20173	803027	Work Lamp
BL-20174	863185	Backing Plate for Passenger Cars
BL-20175	863186	Double-Sided Plate for Chrysler, Ford & GM
BL-20175	863187	Double-Sided Plate for Chrysler, Ford & GM
BL-20176	863188	Backing Plate for GM Chevy 1500 series & Lt. Trucks
BL-20177	863189	Adapter Plate for GM 1500 series & Lt. Trucks
BL-40015	864366	4.25" Hubless Adapter Bell Clamp
BL-20154	865698	Jeep Cherokee/Eagle Premier Double-Sided Plate
BL-20154	865712	Jeep Cherokee/Eagle Premier Double-Sided Plate
RM-44780	865822	Double Taper Adapter set (5 pcs.) 1" Bore
RM-44040	865823	Double Taper Adapter 1.332"-1.67" 1" Bore
RM-44042	865824	Double Taper Adapter 1.362"-1.710" 1" Bore
RM-44044	865825	Double Taper Adapter 1.711"-2.073" 1" Bore
RM-44046	865826	Double Taper Adapter 2.074"-2.44" 1" Bore
RM-44048	865827	Double Taper Adapter 2.441"-2.897" 1" Bore
RM-44001	866445	Centering Cone 1.187"-2.25" 1" Bore
RM-44004	866446	Centering Cone 1.703"-2.75" 1" Bore
RM-11488V	111485	Weighted Silencer Band
RM-44309	201022	Hubless Locking Nut
BL-65004	415177	Hubless Locator
BL-65005	415185	Hubless Cone
BL-65006	415186	Hubless Spacer
BL-65007	803027	Work Lamp
BL-65008	863185	Backing Plate for Passenger Cars
BL-65009	863186, 863187	Double Sided Plate for Chrysler, GM, Ford
BL-65010	863188	Backing Plate for GM Chevy 1500 & Lt trucks
BL-65011	863189	Adapter Plate for GM 1500 & Lt Trucks
RM-08246	804-8676-69	Belt
RM-40583	804-1405-83	Belt
BL-65014	804-1250-52	Belt
BL-65015	869186	1" Arbor Only (3" Longer)

# Break Lathe Breakdown RELS 2000 - Spindle Assembly



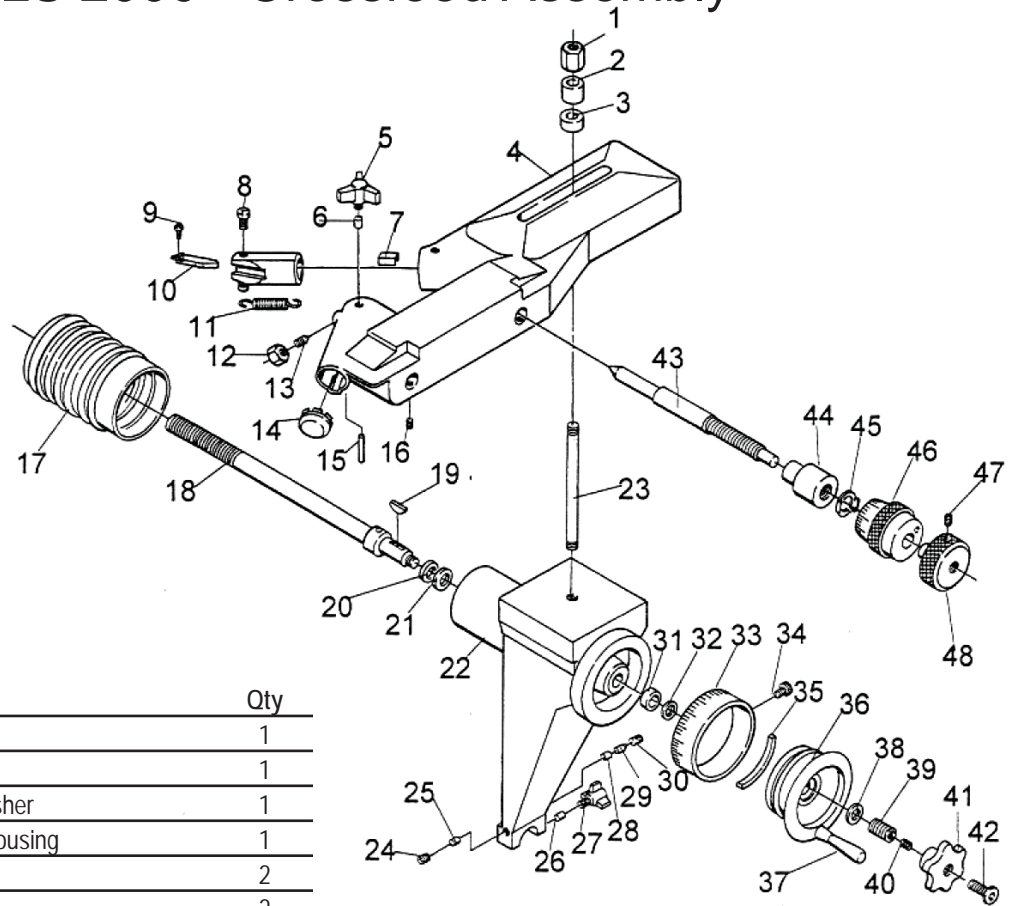
Item	SVI #	Description	Qty
1	RM-40081	Arbor Nut	1
2	RM-40080	Arbor	1
3	RM-40034	Oil Seal	1
4	RM-40033	Oil Seal Adapter Ring	1
5	RM-40028	Screw	1
6	RM-40027	Drive Key	1
7	RM-40026	Spindle	1
8	RM-40032	Screw	1
9	RM-40056	Lock Washer	1
10	RM-40030	Thrust Washer	1
11	RM-40031	Quill	1
12	RM-40034	Oil Seal	1
13	RM-40033	Oil Seal Adapter Ring	1
14	RM-40025	Screw	2
15	RM-40024	Rear Flange	1
16	RM-40111	Shim	3

Item	SVI #	Description	Qty
17	RM-40030	Thrust Washer	1
18	RM-40101	Bronze Bushing	1
19	RM-40157	Tool Tray	1
20	RM-40157B	Vinyl Mat	1
21	RM-40074L	Screw	3
22	RM-40088	Louver	1
23	RM-40186	Screw	4
24	RM-40044	View Oil Gage	1
25	RM-40046	Plug	1
26	RM-40023	Main Motor	1
27	RM-40102	Bronze Bushing	1
28	RM-40090	Insulated Bushing	1
29	RM-40090	Insulated Bushing	1
30	RM-40043	Grease Fitting	1
31	RM-40159	Breather Vent	1
32	RM-40090	Insulated Bushing	1

P  
a  
g  
e



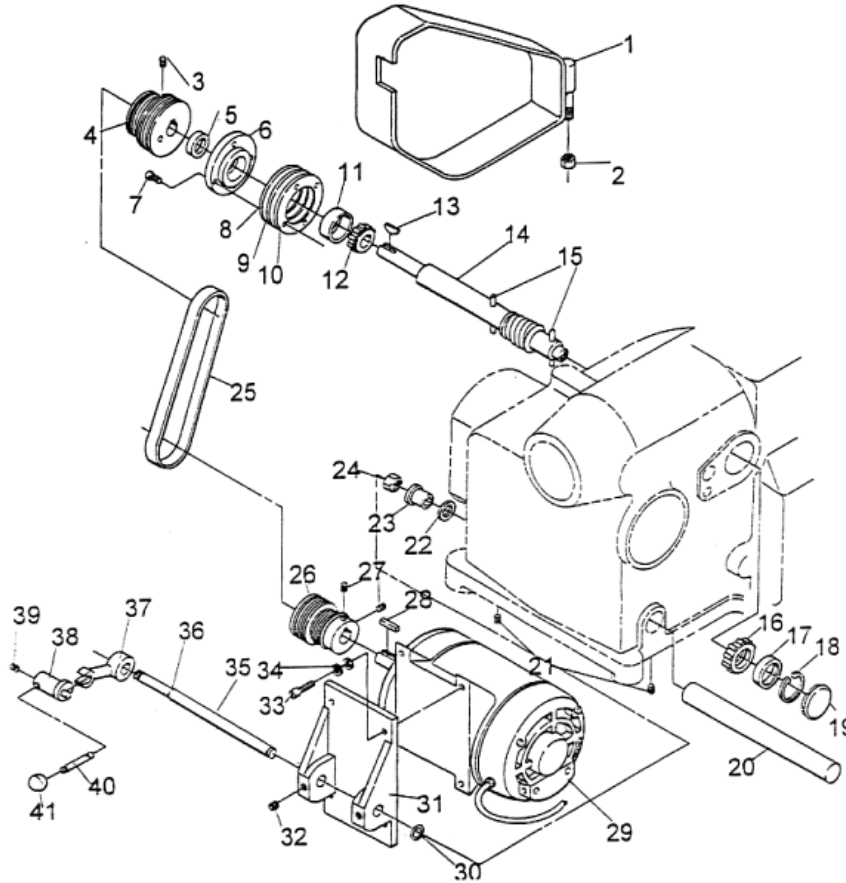
# Break Lathe Breakdown RELS 2000 - Crossfeed Assembly



Item	SVI #	Description	Qty
1	RM-40099	Lock Nut	1
2	RM-40008	Retainer	1
3	RM-40007	Spherical Washer	1
4	RM-40095A	Twin Cutter Housing	1
5	RM-40013	Red Knob	2
6	RM-40012	Brass Plug	2
7	RM-40141	Spacer	2
8	RM-40185	Square Head Screw	2
9	RM-45016	Insert w/ Screw	2
10	RM-45014	Positive Rake Tool Holder LH	1
	RM-45015	Positive Rake Tool Holder RH	1
11	RM-40142	Spring	2
12	RM-40129	Jam Nut	2
13	RM-40128	Set Screw	2
14	RM-40127	Plug	2
15	RM-40126	Groove Pin	2
16	RM-40125	Set Screw	1
17	RM-42026	Crossfeed Boot	1
18	RM-40003L	Lead Screw	1
19	RM-40020	Woodruff Key	1
20	RM-24972	Friction Washer	1
21	RM-40019	Thrust Washer	1
22	RM-40002	Crossfeed	1
23	RM-42007	Stud	1
24	RM-40009	Set Screw	1
25	RM-40011	Brass Plug	1
26	RM-40012	Brass Plug	1
27	RM-40013	Red Knob	1

Item	SVI #	Description	Qty
28	RM-40011	Brass Plug	1
29	RM-40010	Spring	1
30	RM-40009	Set Screw	1
31	RM-40089	Oilite Bushing	1
32	RM-40019	Thrust Washer	2
33	RM-40016	Dial	1
34	RM-40018	Thumb Screw	1
35	RM-40017	Dial Spring	1
36	RM-40014	Handwheel	1
37	RM-40015	Handle	1
38	RM-40150	Washer	1
39	RM-40108	Adapter	1
40	RM-40109B	Set Screw	1
41	RM-40107	Lock Nut	1
42	RM-40109A	Screw	1
43	RM-40105	Dial Rod	2
44	RM-40104	Plug	2
45	RM-40112	Spring Washer	2
46	RM-40113	Dial Micrometer	2
47	RM-42018	Set Screw	2
48	RM-40115	Dial Rod Knob	2

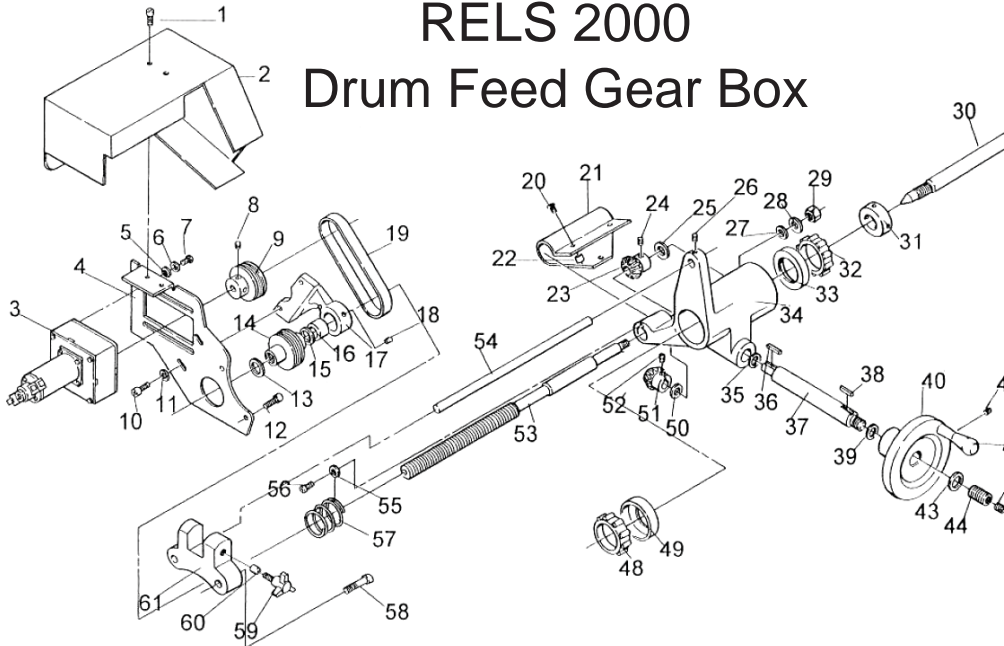
# Break Lathe Breakdown RELS 2000 - Main Motor



Item	SVI #	Description	Qty
1	RM-40065	Belt Guard	1
2	RM-40066	Lock Nut	1
3	RM-40074N	Set Screw	2
4	RM-40021	Pulley	1
5	RM-40039	Oil Seal	1
6	RM-40036	Bearing Seal Cap	1
7	RM-40038	Screw	4
8	RM-40037	Shim	1
9	RM-40037A	Shim	1
10	RM-40037B	Shim	1
11	RM-40035A	Race	1
12	RM-40035	Bearing	1
13	RM-40069	Woodruff Key	1
14	RM-40040	Drive Shaft	1
15	RM-40040A	Roll Pin	2
16	RM-40035	Bearing	1
17	RM-40035A	Race	1
18	RM-40045	Retaining Ring	1
19	RM-40042	Freeze Plug	1
20	RM-40063	Guide Bar	1
21	RM-40064	Set Screw	2

Item	SVI #	Description	Qty
22	RM-40050	O-Ring	1
23	RM-40049	Bushing	1
24	RM-40051	Hex Nut	1
25	RM-40073	Belt	1
26	RM-40022	Pulley	1
27	RM-40074N	Set Screw	2
28	RM-40052-1	Key	1
29	RM-40052	Main Motor	1
30	RM-40048	O-Ring	1
31	RM-40053	Motor Mount Bracket	1
32	RM-40057	Set Screw	2
33	RM-40203	Bolt	4
34	RM-40056	Lock Washer	4
35	RM-40047	Motor Mount Shaft	1
36	RM-40189	O-Ring	1
37	RM-40058	Belt Tension Lever	1
38	RM-40059	Belt Release Pin	1
39	RM-40060	Set Screw	1
40	RM-40061	Belt Release Handle	1
41	RM-40062	Red Knob	1

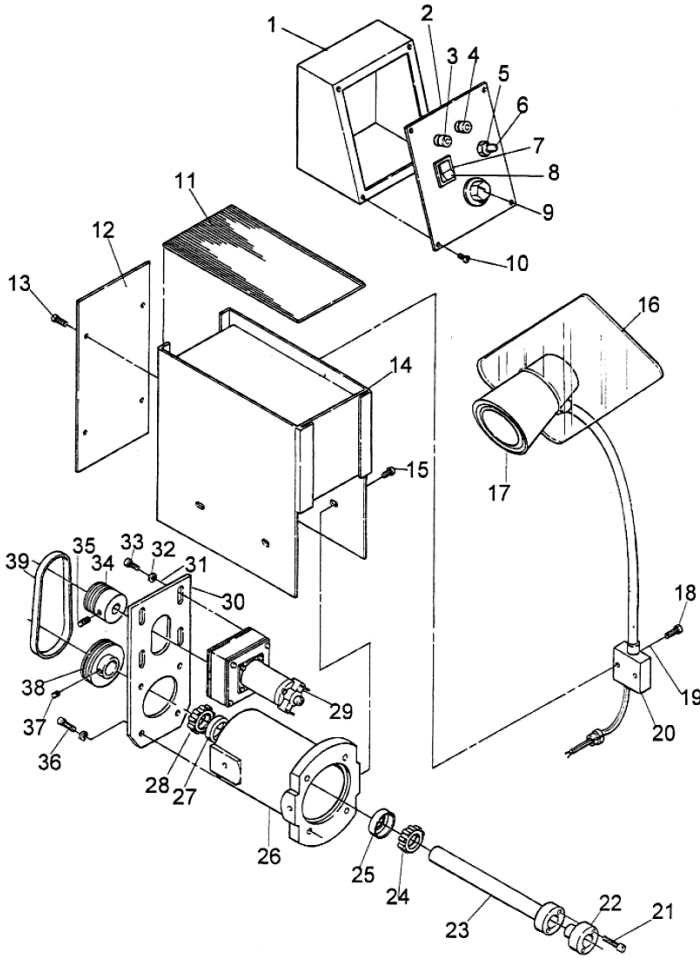
# Break Lathe Breakdown RELS 2000 Drum Feed Gear Box



Item	SVI #	Description	Qty
1	RM-40130	Screw	2
2	RM-40117	Drum Feed Cover	1
3	RM-40139	Gear Motor	1
4	RM-40116	Motor Mount Plate	1
5	RM-40199	Fender Washer	3
6	RM-40131	Washer	3
7	RM-40158	Screw	3
8	RM-40074N	Set Screw	2
9	RM-40122	Pulley	1
10	RM-40084	Screw	2
11	RM-40162	Washer	2
12	RM-40165	Screw	2
13	RM-40148	Bushing	1
14	RM-40123	Feed Screw Nut	1
15	RM-40148	Bushing	1
16	RM-40118A	Bushing	1
17	RM-40118	Lead Screw Support	1
18	RM-40072	Set Screw	1
19	RM-40074H	Belt	1
20	RM-40193	Screw	3
21	RM-40151	Feed Screw Cover	1
22	RM-42001F	Spacer	2
23	RM-40137A	Miter Gear	1
24	RM-40072	Set Screw	1
25	RM-40136	Thrust Washer	1
26	RM-40072	Set Screw	1
27	RM-40135	Washer	1
28	RM-40135	Washer	1
29	RM-40134	Lock Nut	1
30	RM-40091	Drawbar	1

Item	SVI #	Description	Qty
31	RM-40133	Nut	1
32	RM-40138A	Bearing	1
33	RM-40138B	Race	1
34	RM-40114	Drum Feed Bracket	1
35	RM-40136	Thrust Washer	1
36	RM-40149	Key	1
37	RM-40121	Gear Rod	1
38	RM-40147	Key	1
39	RM-40019	Thrust Washer	1
40	RM-40014D	Handwheel	1
42	RM-40015	Handle	1
43	RM-40150	Washer	1
44	RM-40108	Adapter	1
45	RM-40109B	Set Screw	1
46	RM-40107	Lock Nut	1
47	RM-40109A	Screw	1
48	RM-40138A	Bearing	1
49	RM-40138B	Race	1
50	RM-40136	Thrust Washer	1
51	RM-40137B	Miter Gear	1
52	RM-40072	Set Screw	1
53	RM-40124	Drum Feed Screw	1
54	RM-40071	Lock Rod	1
55	RM-40131	Washer	1
56	RM-40130	Screw	1
57	RM-40184	Spring	1
58	RM-40070	Screw	2
59	RM-40013	Red Knob	1
60	RM-40012	Brass Plug	1
61	RM-40067	Front Clamp	1

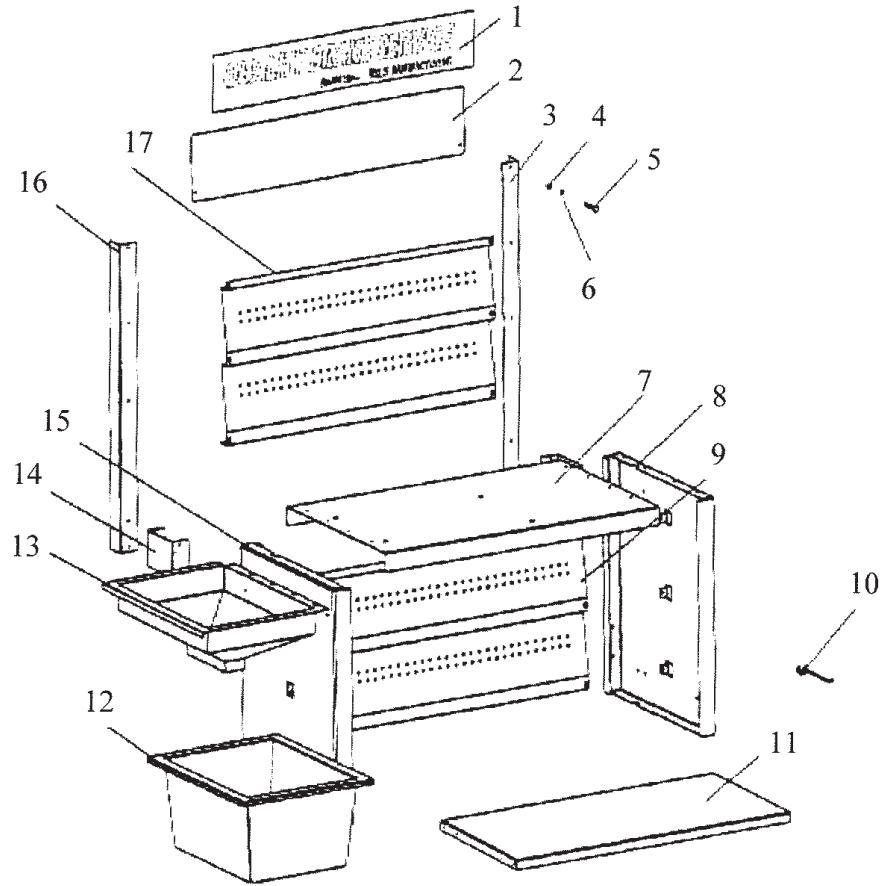
# Break Lathe Breakdown RELS 2000 - Rotor Feed Assembly



Item	SVI #	Description	Qty
1	RM-40082A	Electrical Box	1
2	RM-40082B	Electrical Box Cover	1
3	RM-40072	Fuse Holder with 2amp Fuse (#40178B)	1
4	RM-40072	Fuse Holder with 2amp Fuse (#40178B)	1
5	RM-40176	Toggle Switch	1
6	RM-40201	Toggle Switch Boot	1
7	RM-40174	Rocker Switch	1
9	RM-40175	Controller Knob	1
10	RM-40173	Screw	4
11	RM-40074M	Vinyl Pad	1
12	RM-40074K	Cover Back Panel	1
13	RM-40074P	Sheet Metal Screw	4
14	RM-40074K	Gear Box Cover	1
15	RM-40074L	Screw	3
16	RM-40194	Plastic Shield	1
17	RM-40079	Work Light	2
18	RM-40075A	Screw	4
19	RM-40075B	Nut	4
20	RM-40075	Light Holder	2
21	RM-40083	Screw	2
22	RM-40068	Lead Screw Nut	1
23	RM-40074B	Center Shaft	1
24	RM-40138A	Bearing	1
25	RM-40138B	Race	1
26	RM-40074A	Housing	1
27	RM-40138B	Race	1
28	RM-40138A	Bearing	1
29	RM-40139	Gear Motor	1
30	RM-40074C	Motor Mount Plate	1
31	RM-40199	Fender Washer	4
32	RM-40131	Washer	4
33	RM-40158	Screw	4
34	RM-40122	Small Pulley	1
35	RM-40074N	Set Screw	2
36	RM-40202	Screw	4
37	RM-40074G	Set Screw	2
38	RM-40074D	Large Pulley	1
39	RM-40074H	Belt	1
	RM-40077	Power Cord	1
	RM-40078	Cord Grip	1
	RM-40119	Control Board	1
	RM-40221	Rheostat	1

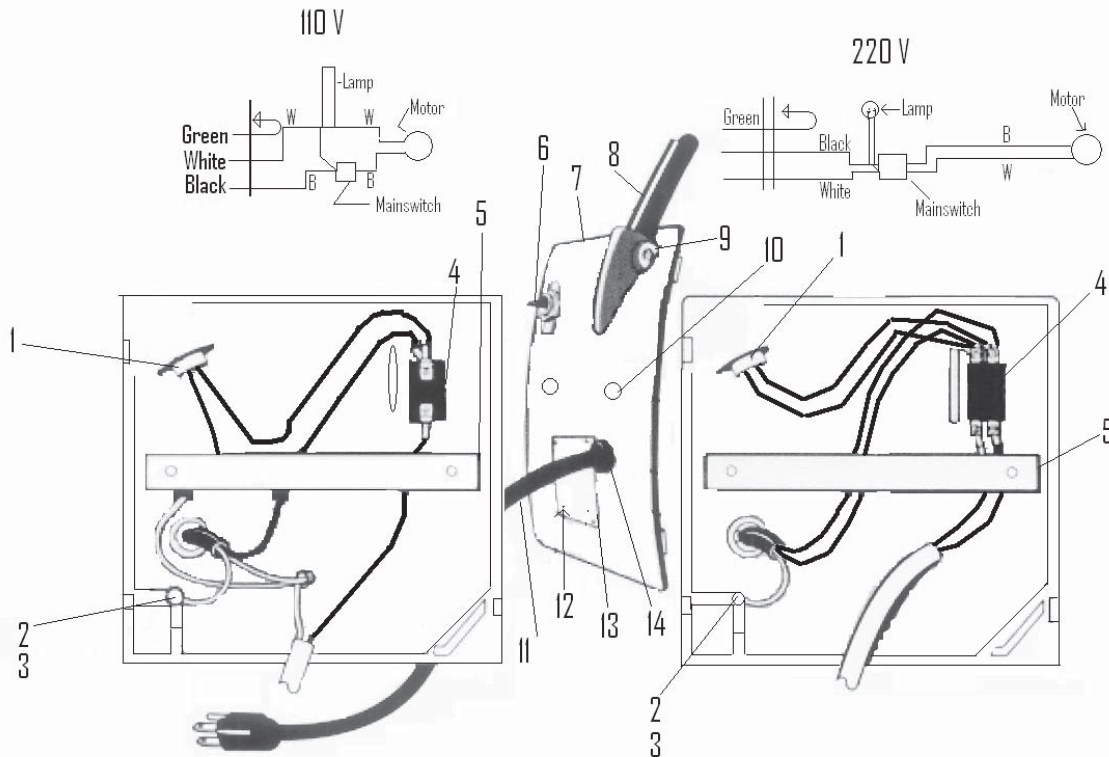
# Break Lathe Breakdown

## RELS 2000 - Lathe Workbench



Item	SVI #	Description
--	RM-40156	Bench Assembly
1	RM-40156A	Label
2	RM-40156B	Label Backboard
3	RM-40156C	Right Upright
4	RM-40205	Nut
5	RM-40203	Screw
6	RM-40056	Washer
7	RM-40156F	Top Cover Panel
8	RM-40156G	Right Side Panel
9	RM-40156E	Peg Board Panel
10	RM-40197	4" Hook
11	RM-40156J	Bottom Panel
12	RM-40168B	Chip Bucket
13	RM-40168A	Chip Funnel
14	RM-40156I	U-Joint
15	RM-40156H	Left Side Panel
16	RM-40156D	Left Upright
17	RM-40156E	Peg Board Panel

# Break Lathe Breakdown Electrical Panel Assembly for Ammco®\*



Item	SVI Part #	Ref #	Req	Description
1	BL-10366	902889, 2889	1	Insulation Bushing
2	RM-42048	921972, 21972	1	Self Tapping Screw
3	RM-42049	901926, 1926	1	Lock Washer
4	RM-40076	906893, 6893	1	110 V Switch
	BL-10367	921464, 21464	1	220 V Switch
5	RM-42047	903079, 3079	1	Clamp Strap
6	RM-42023	901185, 1185, 42043	1	Switch, Plate
7	BL-10185	910348, 10348	1	Electrical Panel
8	RM-40079	907963, 7963, 40079	1	Lamp / Work Light
	RM-42014	922763, 42014, 622763, 22763		Replacement Lamp Switch & Sprocket
	RM-42015	922764, 42015, 622764, 22764		Replacement Dust Boot for Lamp
9	RM-40009	900220, 220, 40009	1	Set Screw
10	RM-42044	903183, 3183	2	Round Head Machine Screw
11	RM-40077	902709, 2709, 40077	1	110 V Cord Set
	BL-10368	907210, 7210	1	220 V Cord Set
12	RM-40086	900306, 306, 40086	4	Drive Screw
13	RM-40085	920463, 20463	1	Electrical Caution Plate
14	RM-40078	906058, 6058	1	110 V Cord Grip
	BL-10369	906077, 6077	1	220 V Cord Grip

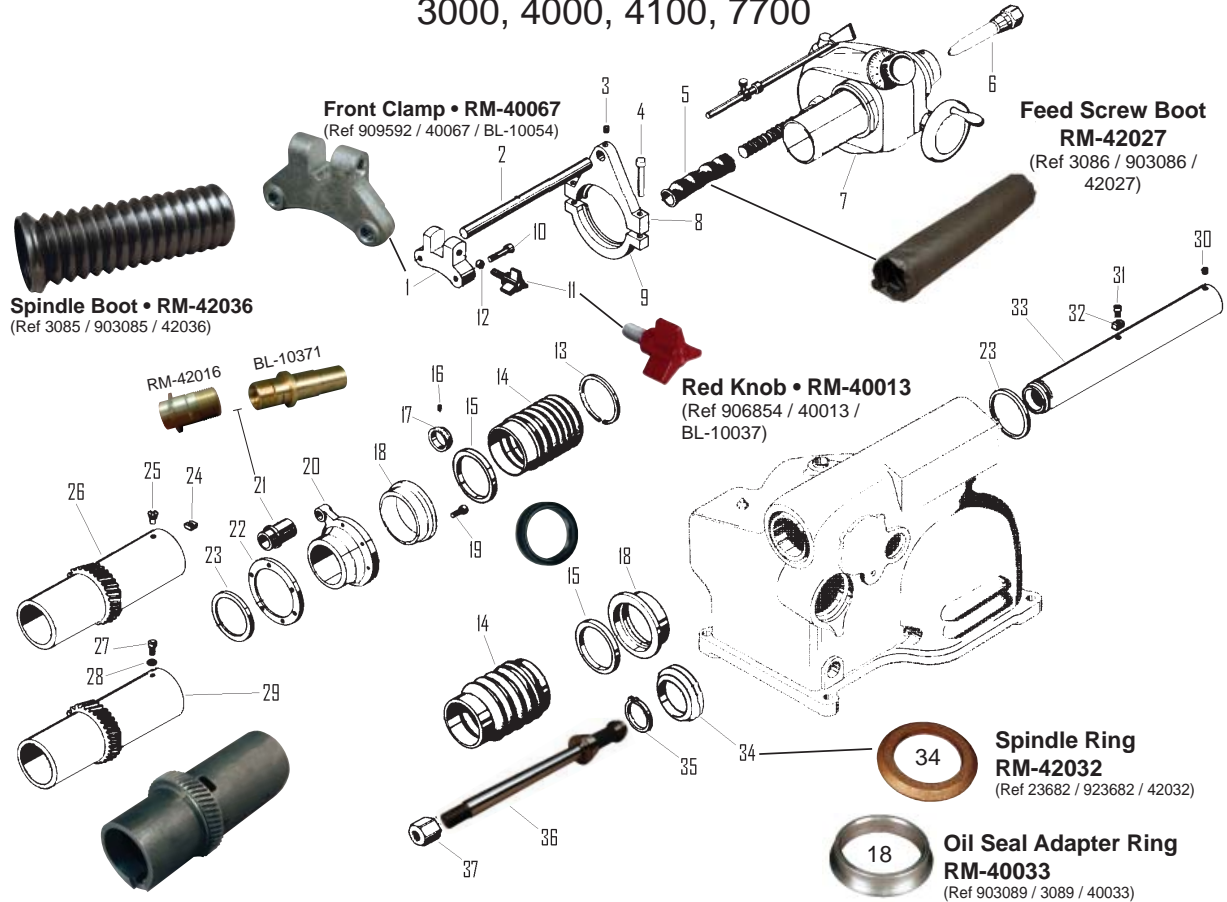


**Work Lamp • RM-40079**  
(Ref 907963 / 40079 / BL-10049)

# Break Lathe Breakdown

## Main Frame Assembly Spindle for Ammco®\*

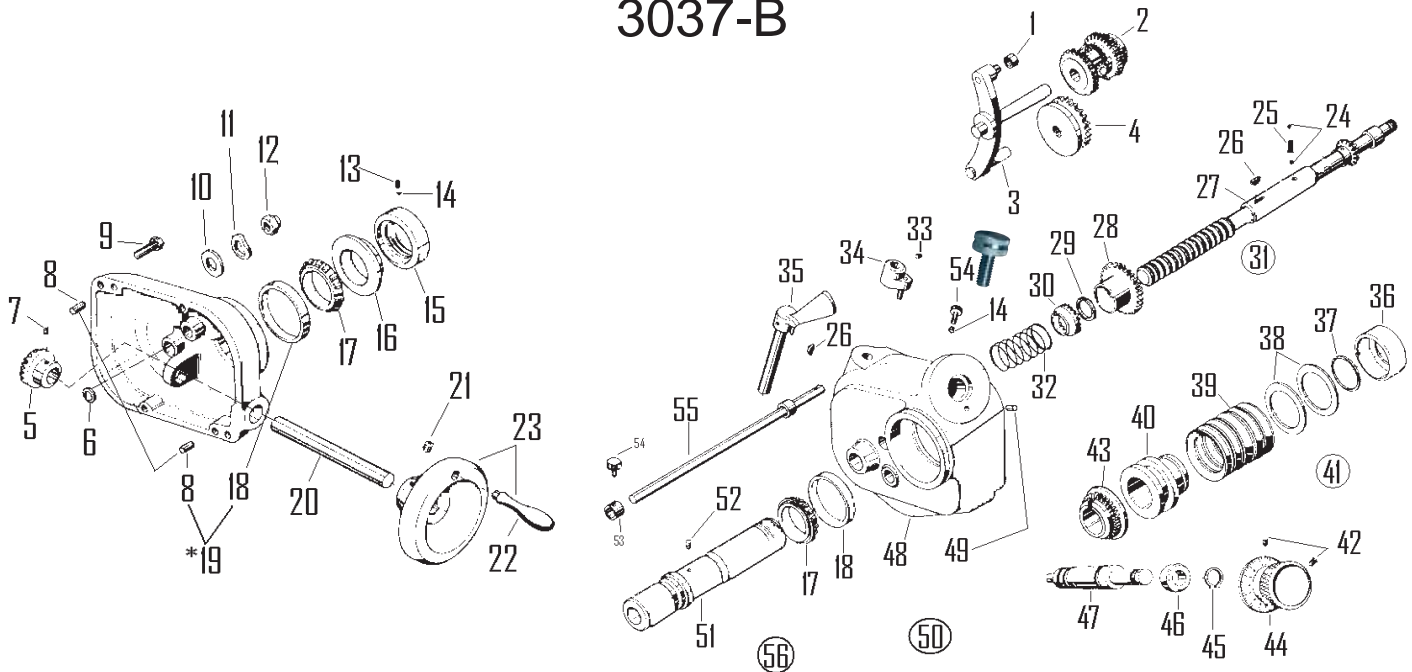
3000, 4000, 4100, 7700



Item	SVI Part #	Ref #	Req	Description
1	RM-40067	909592 / 40067	1	Front Clamp
2	RM-40071	909645 / 40071	1	Lock Rod 4000
	BL-10196	909593	1	Lock Rod 4100
3	RM-40072	900213 / 40072	1	Set Screw
4	RM-42056	906825 / 42056	2	Socket Head Capscrew
5	RM-42027	903086 / 903086 / 42027	1	Boot & Spring 3000 / 4000
	BL-10370	907703	1	Boot & Spring 4100 / 7000
6	RM-40091	907005 / 40091	1	Drawbar & Nut Assy. 3000 / 4000
	BL-10197	907716	1	Drawbar & Nut Assy. 4100 / 7700
7	BL-10198	903037B	1	Feed Mechanism 3000 / 4000
	BL-10199	907702	1	Feed Mechanism 4100 / 7700
8-9	BL-11850	909999 / 909998 / 941391	1	Rear Upper and Lower Clamp Kit
10	RM-40070	903319 / 40070	2	Socket Head Cap Screw 4000/4100
11	RM-40013	906854 / 40013	1	Red Knob
12	RM-40012	903142 / 40012	1	Brass Plug
	RM-40012-50	903142-50 / 40012-50	50	Brass Plugs (50 pack)
13	RM-42006	904435 / 42006	1	Wire Boot Ring 3000 / 7700
	RM-42003	903595 / 42003	1	Boot Spring 4000 / 4100
14	RM-42036	903085 / 42036	2	Boot
15	RM-42057	903164 / 42057	1	Oil Seal
16	RM-42018	903338 / 42018	1	Socket Head Cap Screw
17	BL-10195	904671	1	Take Up Nut

Item	SVI #	Ref #	Req	Description
18	RM-40033	903089 / 40033	2	Oil Seal Adapter Ring
19	RM-40025	900209 / 40025	6	Socket Hd Scap Screw 3000 / 7700
20	RM-42053	907344R	1	Rear Flange Assy 3000 / 4000
	BL-10193	907729R	1	Rear Flange Assy 4100 / 7700
21	RM-42016	904670 / 42016	1	Lead Screw Nut 4000 / 7000
	BL-10371	907712	1	Lead Screw Nut 4100 / 7700
22	RM-40111	903032 / 40111		Shim (Qty as required)
23	RM-40030	903033 / 40030	2	Thrust Washer
24	BL-10191	910737	1	Keyway Block 4100 / 7700
25	BL-10190	906868	1	Flat Hd Screw 4100 / 7700
26	RM-40031XL	910216 / 10216	1	Drive Quill Gear 4100 / 7700
27	RM-40032	901602 / 40032	1	Hex Head Capscrew 3000 / 4000
28	RM-40056	900283, 283, 40056	1	Lock Washer 3000 / 4000
29	RM-40031	909830 / 42060	1	Drive Quill Gear 3000 / 4000
30	RM-40029	903224 / 40029	1	Cuppoint Set Screw
31	RM-40028	906486 / 40028	1	Socket Head Capscrew
32	RM-40027	909831 / 40027	1	Drive Key
33	RM-40026	903153 / 40026	1	Body Spindle 3000 / 4000
	BL-10188	907714	1	Body Spindle 4100 / 7700
34	RM-42032	923682 / 42032	1	Adapter Ring
35	RM-40041	903159 / 40041	1	Retaining Ring
36	RM-42021	903101 / 42021	1	Arbor (1")
37	RM-40081	903102 / 40081	1	Arbor Nut

# Break Lathe Breakdown Variable Drum Feed Gearbox Assembly for Ammco®\* 3037-B



Item	SVI Part#	Ref #	Req	Description
1	RM-42077	903036, 3036	1	Roller
2	RM-42704	907338, 7338	1	Pinion Bushing Assy.
3	BL-10219	907343, 7343	1	Feed Control Lever & Assy.
4	RM-42703	903081, 3081	1	Driven Friction Disc & Bearing Assy.
5	BL-10223	903069, 3069	1	Miter Gear
6	BL-10230	904641, 4641	1	Bone Fiber Washer
7	BL-10222	903098, 3098	1	Dog Point Set Screw
8	BL-10229	903038, 3038	2	Dowel Pin
9	BL-10224	903094, 3094	4	Socket Head Capscrew
10	RM-40140	903324, 40140	4	Washer
11	BL-10225	906155, 6155	1	Wave Washer
12	RM-40134	903184 / 40134	1	Stop Nut
13	RM-40072	900213 / 40072	1	Allen Set Screw
14	RM-42096	903141 / 42096	2	Brass Plug
15	RM-42093	909443, 9443	1	Bearing Lock Nut
16	RM-42094	909444, 9444	1	Spherical Washer
17	RM-42084	903391, 3391	1	Taper Roller Bearing
18	RM-42085	903392, 3392	1	Bearing Cup (See Item #50)
19	BL-10228	909498, 9498	1	Gear Case Cover Assy. # 8 & # 18
20	BL-10231	903054, 3054	1	Shaft
21	RM-40009	900220, 220	1	Set Screw
22	RM-42022	903026, 3026	1	Crank Handle
23	RM-42054	903090, 42054	1	Handwheel Assembly
24	RM-42076	900311, 311	2	Steel Ball
25	RM-42079	903060, 3060	1	Clutch Spring
26	BL-10217	904449, 4449	2	Hy-Pro Key
27	RM-42708	909918 / 42708	1	Lead Screw/Miter Gr Assy. 3000/4000
28	BL-10236	903047, 3047	1	Sliding Clutch Gear
29	BL-10237	906163, 6163	1	Retaining Ring

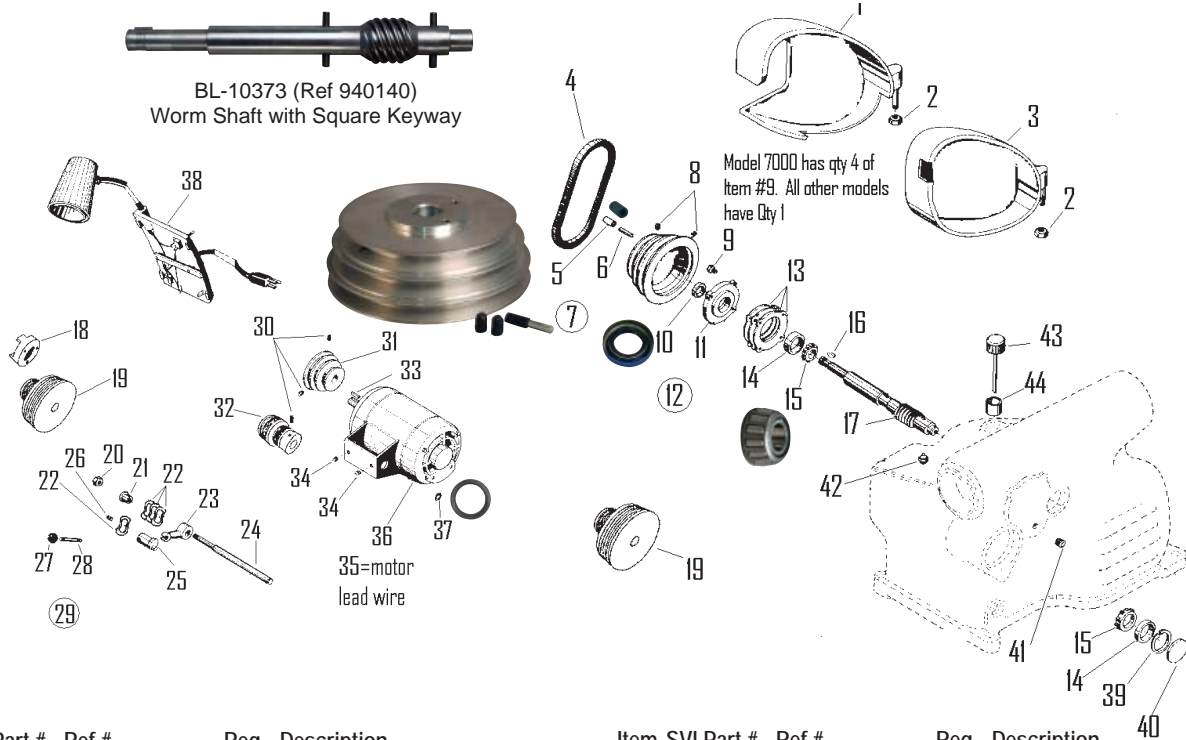
Item	SVI Part #	Ref #	Req	Description
30	BL-10238	907264, 7264	1	Clutch Jaw
31	BL-10232	908235, 8235	1	Lead Screw & Clutch Assy. 3000 / 4000
	BL-10233	908237, 8237	1	Lead Screw & Clutch Assy. 4100 / 7500 / 7700
32	BL-10239	907263, 7263	1	Coil Spring
33	BL-10216	900212, 212	1	Allen Set Screw
34	BL-10215	903058, 3058	1	Clutch Shifter Assy.
35	BL-10218	903042, 3042	1	Clutch Handle & Shaft Assy.
36	BL-10240	903061, 3061	1	Spring Loading Cup
37	BL-10242	903093, 3093	1	Retaining Ring
38	BL-10243	903064, 3064	2	Washer
39	BL-10244	903062, 3062	10	Belville Spring
40	RM-42082	903078 / 42082	1	Sliding Friction Disc
41	RM-42104	903082, 3082	1	Friction Disc Assy.
42	RM-40072	911241, 11241	2	Allen Set Screw
43	RM-42081	903077 / 42081	1	Fixed Friction Clutch
44	BL-10201	903043, 3043	1	Feed Dial Assy
45	BL-10202	903097, 3097	1	Retaining Ring
46	BL-10203	909930, 9930	1	Thrust Bearing
47	BL-10204	903066, 3066	1	Feed Adjusting Screw
48	BL-10207	903663, 3663	1	Gear Case (See Item #50)
49	BL-10206	903132, 3132	1	Groove Pin
50	BL-10205	903715, 3715	1	Gear Case Assy. Incl. #18, #48, #49
51	BL-10210	903154, 3154	1	Spindle Extension
52	RM-42083	903092, 3092	1	Groove Pin
53	BL-10214	903039, 3039	1	Stop Collar
54	RM-42024	903084 / 42024	2	Knurled Screw
55	RM-42078	903040, 3040	1	Shut Off Assy. 3000 / 4000
	BL-10213	907717, 7717	1	Shut Off Assy. 4100 / 7500 / 7700
56	RM-40120	907007, 7007	1	Spindle Ext Assy. Incl. #51, #52, #17



# Break Lathe Breakdown

## Motor Mount and Drive Shaft for Ammco®\*

### Drum & Disc Brake Lathes



Item	SVI Part #	Ref #	Req	Description
1	RM-40065	907788 / 40065	1	Belt Guard 4000 / 4100 / 7500
2	RM-40066	911273 / 40066	1	Self Locking Nut
3	BL-10254	903005 / 3005	1	Belt Guard 3000 / 7000 / 7700
4	RM-42031	903161 / 42031	1	V-Belt 3000 / 4000 / 7000
	BL-10252	910241 / 10241	1	V-Belt 4100 / 7700
	RM-40073	940141 / 40073	1	Poly V-Belt
5	BL-10251	925588	1	Rubber Tube 4000 / 4100
6	BL-10250	924239	1	Groove Pin 4000 / 4100
7	RM-42029	907784-1 / 42029	1	Pulley w/ Pin and Tube (#5 & 6)
8	RM-40009	900220 / 40009	1	Set Screw
9	RM-40038	900236 / 40038	1	Hex Head Capscrew
	RM-40038	900236 / 40038	4	HHCS- Need 4 for Model 7000
10	RM-40039	903163 / 40039	1	Oil Seal
11	RM-40036	903010 / 40036	1	Bearing Seal Cap
12	BL-10249	903186 / 3186	1	Cap and Seal Assy (# 10 & 11)
13	RM-40037	903169 / 40037	*	Shim .005"
	RM-40037A	903170 / 40037A	*	Shim .007"
	RM-40037B	903171 / 40037B	*	Shim .020"
14	RM-40035A	903394 / 40035A	2	Drive Shaft Race
15	RM-40035	903393 / 40035	2	Drive Shaft Bearing
16	RM-40069	924446 / 40069	1	Woodruff Key
	BL-10372	940139	1	Square Key
17	RM-40040	9847-C	1	Shaft, Worm w/Woodruff keyway
	BL-10373	940140	1	Shaft, Worm w/ Square keyway
18	BL-10758	9818-1	1	Cap
19	RM-40021	940146-2	1	Pulley (pin & tube not included)
20	F-HN-0500-20	903377 / 40051	1	Hex Nut
21	RM-40049	903223 / 40049	1	Bushing for Motor Mount Shaft
22	RM-40050	902364 / 40050		Wave Washer - Qty. as needed

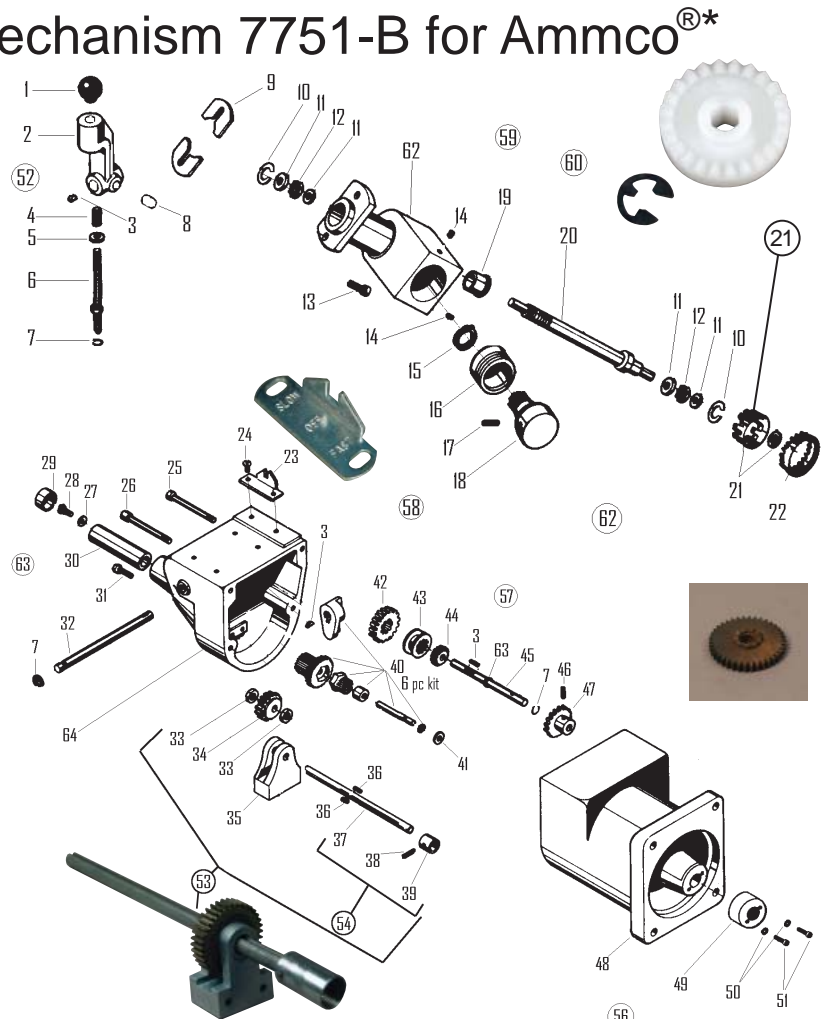
Item	SVI Part #	Ref #	Req	Description
23	RM-40058	903015 / 40058	1	Belt Tension Lever
24	RM-40047	903023 / 40047	1	Shaft, Motor Mount
25	RM-40059	903035 / 40059	1	Pin, Eccentric Belt Release
26	RM-40060	903180 / 40060	1	Socket Head Screw
27	BH-7503-45	900320 / 40062	1	Ball Knob
28	RM-40061	903088 / 40061	1	Belt Release Handle
29	BL-10248	907348 / 7348	1	Lever Belt Assy (# 27 & 28)
30	RM-40009	900220 / 40009	4	Set Screw 3000,4000,7000,7500
	BL-10374	900217 / 217	2	Set Screw 4100/7700
31	RM-42030	903024 / 42030	1	Drive Pulley 3000/4000 **
	BL-10247	903639 / 3639	1	Drive Pulley 4100/7700 **
	BL-10375	910305 / 10305	1	Drive Pulley 7000
32	RM-40022	940142 / 40021	1	Drive Pulley Poly V-Belt
33	BL-10376	925454 / 25454	1	Square Key
34	RM-40057	906864 / 40057	2	Set Screw
35	BL-10246	903244 / 3244	1	Motor Lead Wire
36	RM-40052A	90216501 / 40052A1		Motor & Mount Bracket
	RM-40052	902165 / 40052	1	Motor Only
37	RM-40028	906766 / 40048	1	Motor Mount O-Ring
38	BL-10255	910352	1	Electrical Panel Assy
39	RM-40045	903172 / 40045	1	Retaining Ring
40	RM-40042	903166 / 40042	1	Welch Plug
41	RM-40046	903372 / 40046	1	Allen Pipe Plug
42	RM-40043	922006 / 40043	1	Grease Fitting
43	BL-10253	903148 / 3148	1	Dipstick
44	RM-42055	903215 / 42055	1	Oil Filter Sleeve
---	RM-50001	940175 / 50001	-	Pulley Kit

\*\*\*For Models mfg prior to 1996. After 1996, they use #940142 / RM-40021

All names, numbers, symbols and descriptions are used for reference purposes only. It is not implied that any part listed is the product of these manufacturers. \*AMMCO is a registered trademark of Hennessy Industries, Inc. SVI International, Inc. is not associated in any way with Hennessy Industries, Inc.

# Break Lathe Breakdown Disc Brake Feed Mechanism 7751-B for Ammco®\*

Item	SVI Part #	Ref #	Req	Description
1	BH-7503-45	900320 / 40062	1	Ball Knob
2	RM-42011	907744 / 42011	1	Body, Shifter Handle
3	RM-40020	903176 / 40020	5	Woodruff Key
4	BL-10301	907699	1	Spring
5	BL-10300	906451	1	Washer
6	BL-10299	907746	1	Shifter Handle Pin
7	BL-10281	905613	2	Retaining Ring
8	RM-40009	900220 / 40009	1	Set Screw
9	BL-10318	907908	2	Shim .005"
	BL-10319	907903	2	Shim .010"
	BL-10320	907904	2	Shim .020"
	BL-10321	907905	2	Shim .030"
10	BL-10378	905639	1	"C" Clip
11	RM-40136	906872	2	Travel Washer
12	RM-42088	906871	1	Bearing Thrust Needle
13	BL-10290	903221	4	Socket Head Set Screw
14	BL-10311	906834	2	Cone Point Set Screw
15	BL-10314	903174	1	Retaining Ring
16	BL-10315	909825	1	Spacer and Bushing Assy
17	BL-10317	904096	1	Roll Pin
18	BL-10316	909822	1	Coupling and Gear Assy
19	RM-42116	906749	1	Oilite Bushing
20	BL-10379	907997	1	Worm Drive Assy (See Kit)
	BL-10310	907992		Worm Drive Assy KIT
21	RM-42038	907996 / 42038	1	Shear Gear and Ring Assy
22	RM-42114	906446	1	Dot Plug
23	RM-42012	907747 / 42012	1	Plate Index
24	BL-10297	904508	2	Rnd. Hd. Machine Screw
25	BL-10296	906391	2	Hex Head Machine Screw
26	BL-10295	906392	1	Hex Head Machine Screw
27	BL-10292	904789	1	Washer
28	BL-10293	906254	1	Socket Head Capscrew
29	RM-42109	906974	1	Tube Cap
30	BL-10289	907783	1	Tube
31	BL-10290	903221	2	Socket Head Capscrew
32	RM-42090	907748	1	Shift Shaft
33	RM-42108	906973	2	Thrust Washer
34	BL-10276	907778	1	Drive Gear <i>(Order Kit BL-10382 Rod &amp; Coupling Assembly)</i>
35	RM-42092	907775 / 42092	1	Trap
36	RM-42107	906937	2	Dowel Pin
37	RM-42005	907774 / 42005	1	Drive Rod
38	BL-10380	940403	1	Roll Pin
39	BL-10381	940717	1	Coupler
40	BL-10322	924516	1	Shifter & Gear Assy
41	RM-42106	906350	1	Bone Shim Washer
42	BL-10286	909812	1	Coarse Feed Gear
43	BL-10285	909813	1	Clutch
44	BL-10284	909816	1	Fine Feed Gear
45	BL-10283	906138	1	Retaining Ring
46	BL-10280	904006	1	Roll Pin
47	BL-10279	907994	1	Helix Gear
48	BL-10265	907790	1	Gear Case



Item	SVI Part #	Ref #	Req	Description
49	Order kit BL-10324 or BL-10262			
--	BL-10324	928529	1	Lead Screw Nut Kit (49, 51)
--	BL-10262	910870	1	Gear Case Assembly
50	BL-10263	903910	2	Lock Washer
51	RM-40083	928367	2	Cap Screw
52	BL-10298	907742	1	Handle Assy (#1,2,4,5,6,7)
53	BL-10382	940718	1	Rod & Coupling Assy (#33-39)
54	BL-10383	940719	1	Univ. Coupling Assy (#37-39)
56	BL-10262	910870	1	Gear Case Assy (48-51)
57	BL-10278	909814	1	Shifter Shaft Assy (42-47,3,63,7)
58	RM-42112	909821	1	Coupling Assy (15-18)
59	BL-10303	924241	1	Worm Drive Assy (10-12, 19-20, 62)
60	BL-10384	940401	1	Worm Shaft Repair Kit (10-12, 19-20, 62)
61	RM-42117	909815	1	Driven Assy Right Angle Drive (# 55 & # 65)
62	BL-10308	907998 / 924241	1	Drive Housing
63	RM-42091	907764	1	Shaft Clutch (#30 plus cover)
64	BL-10288	907902	1	Gear Case Cover & Tube Assy



**40** BL-10322  
Shifter & Gear Assy.

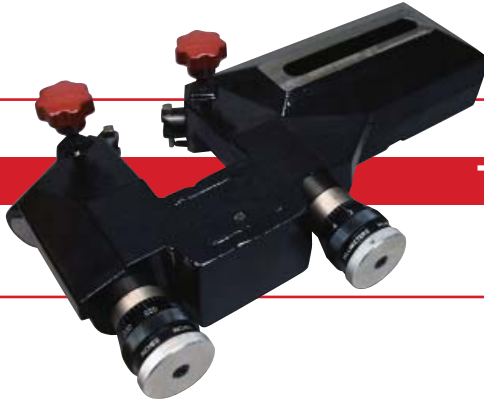


**58** RM-42112  
(Ref 909821, BL-10313)  
Coupling Assy



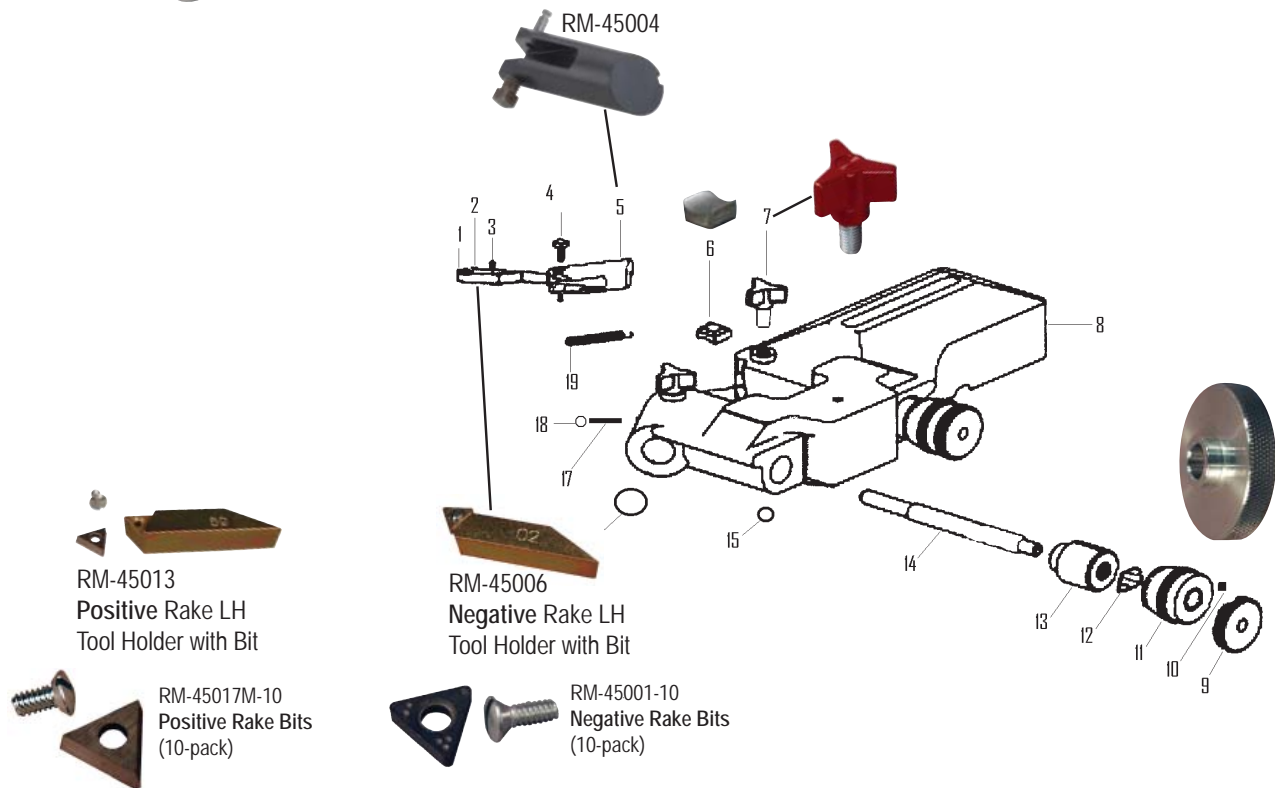
**49** BL-10324  
Lead Screw Nut Kit

# Break Lathe Breakdown 6950 Twin Cutter for Ammco®\*



Call SVI RELS today for new replacement  
**Twin Cutter for Ammco® Brake Lathes**

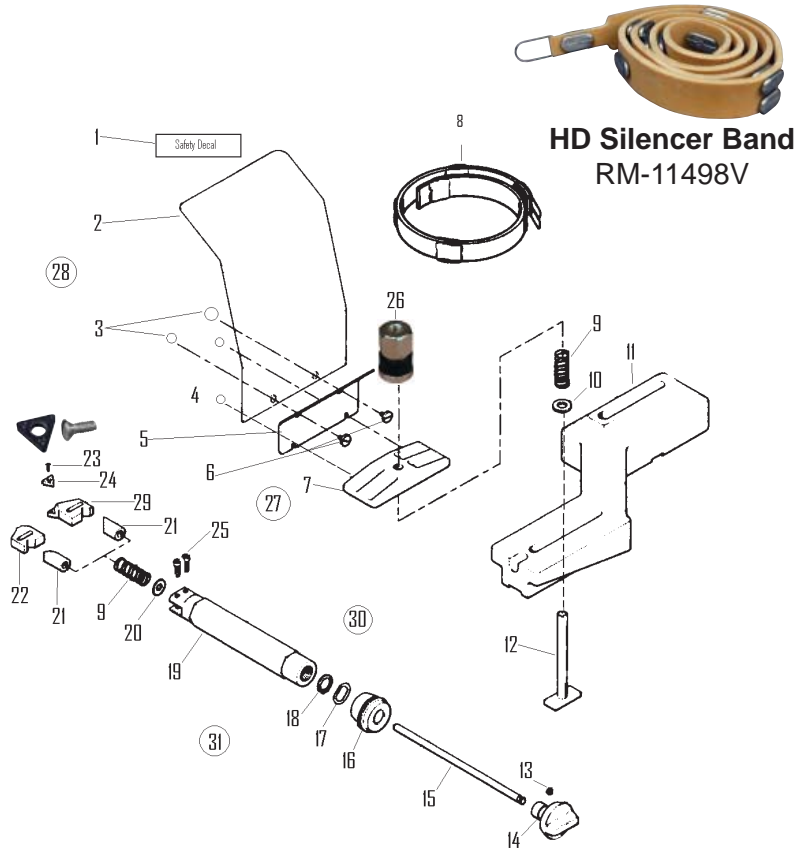
**Order RM-40095 Series Twin Cutters**  
 Specify Negative or Positive Rake Bits



Item	SVI Part #	Ref #	Req	Description
1	RM-45017M-10	906918 / (-10)	2	Positive Rake Carbide Bit
		45017 / 45017-10		Positive Rake Carbide Bit 10-Pack
	RM-45001-10	906914-10	2	Negative Rake Carbide Bit 10-Pack
		45001-10		
2	RM-45019	906499 / 45019		Screw (Sold as a 10 pk.)
3	RM-45012	925968 / 45012	1	Positive Rake RH Tool Holder Bit
	RM-45013	925969 / 45013	1	Positive Rake LH Tool Holder Bit
	RM-45005	910701 / 45005	1	Negative Rake RH Tool Holder Bit
	BL-30011	910702 / 45006	1	Negative Rake LH Tool Holder Bit
4	RM-40185	909249 / 40185	2	Square Head Set Screw
5	RM-45004	910650 / 45004	1	Left Hand Tool Holder
	RM-45003	910651 / 45003	1	Right Hand Tool Holder
6	RM-40141	928584 / 40141	2	Spacer for Twin Cutter
7	RM-40013	906854 / 40013	1	Red Knob

Item	SVI Part #	Ref #	Req	Description
8	BL-10377	928572	1	Twin Cutter Housing
9	RM-40115	906923 / 40115	2	Dial Rod Knob
10	RM-42018	903338 / 42018	2	Set Screw
11	RM-40113	906907 / 40113	2	Micrometer Dial
12	RM-40112	906929 / 40112	2	Spring Washer
	RM-40112-10			Spring Washers (10-Pack)
13	RM-40104	906906 / 40104	2	Dial Plug
14	RM-40105	906908 / 40105	2	Dial Rod
15	RM-40125	906109 / 40125	2	Set Screw 3/16-16
16	RM-40127	906977 / 40127	2	Dot Plug
17	RM-40129	903528 / 40129	2	Hex Nut
18	RM-40128	909879 / 40128	2	Locating Screw
19	RM-40142	906905 / 40142	1	Spring
20	RM-40103	906901 / 40103	1	Dial Assembly

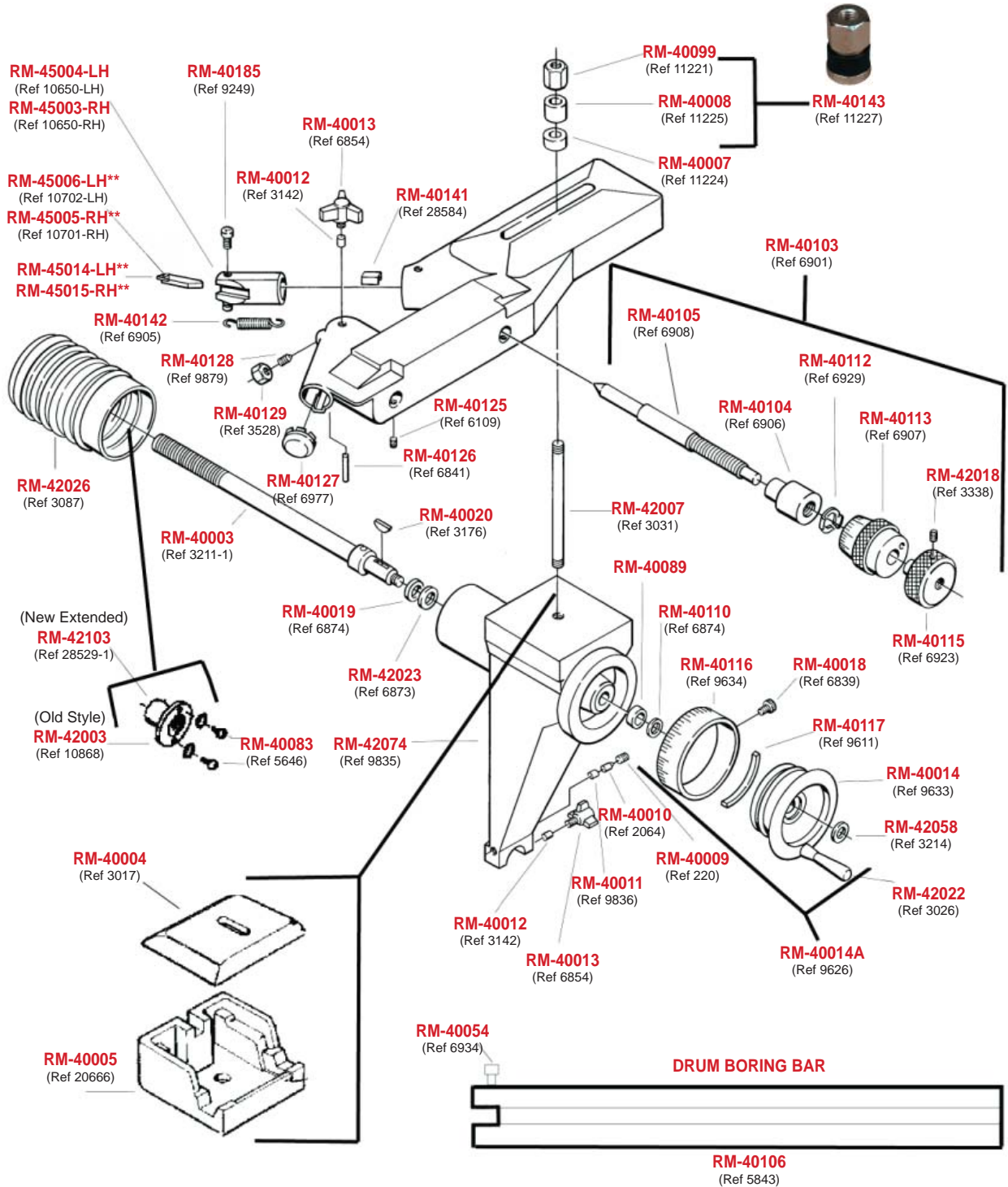
# Break Lathe Breakdown 7900 Twin Cutter for Ammco®\*



Item	SVI Part #	Ref #	Req	Description
1	BL-10335	926016	1	Safety Decal
2	RM-40194	911154 / 40194	1	Shield
3	RM-40155	911166 / 40155	2	Nut Insert
4	BL-10297	904508	2	Pan Head Machine Screw
5	BL-10334	926014	1	Bracket
6	RM-40154	911150	2	Retainer Screw
7	BL-10331	925985	1	Clamp
8	RM-11498V	906930	1	HD Silencer Band Assy
9	BL-10329	925756	3	Compression Spring
10	RM-40150	903214 / 42058	1	Flat Washer
11	BL-10326	925982	1	Tool Bar Support
12	BL-10328	923556	1	T Bolt
13	RM-42018	903338 / 42018	1	Cup Point Set Screw
14	BL-10345	925751	1	Depth Dial
15	BL-10344	925983	1	Dial Rod
16	BL-10343	925752	1	Micrometer Dial

Item	SVI Part #	Ref #	Req	Description
17	BL-10342	925758	1	Wave Washer
18	BL-10341	925759	1	External Retaining Ring
19	BL-10340	925984	1	Boring Bar
20	BL-10338	924922	1	Flat Washer
21	BL-10337	925754	1	Sleeve
22	BL-10348	925761	1	Holder
23	RM-45019	906499 / 45019	1	Oval Head Machine Screw
24	RM-45001-10	906914-10 / 45001-10	1	Carbide Bit (Sold as a 10-pack)
25	BL-10339	925757	1	Shoulder Screw
26	RM-40143	911227 / 40143	1	Nut/Washer Self-Align Assy
27	BL-10330	926018	1	Clamp Assy (# 4 & #7)
28	BL-10333	926015	1	Shield Assy (# 1, 2, 3, 5, 6)
29	BL-10336	925762	1	Holder
30	BL-10347	925980	1	Tool Bar, RH Assy (13-21, 23-25, 29, 9)
31	BL-10346	925981	1	Tool Bar, LH Assy (13-23, 29, 9)

# Break Lathe Breakdown Crossfeed Assembly for Ammco®\*

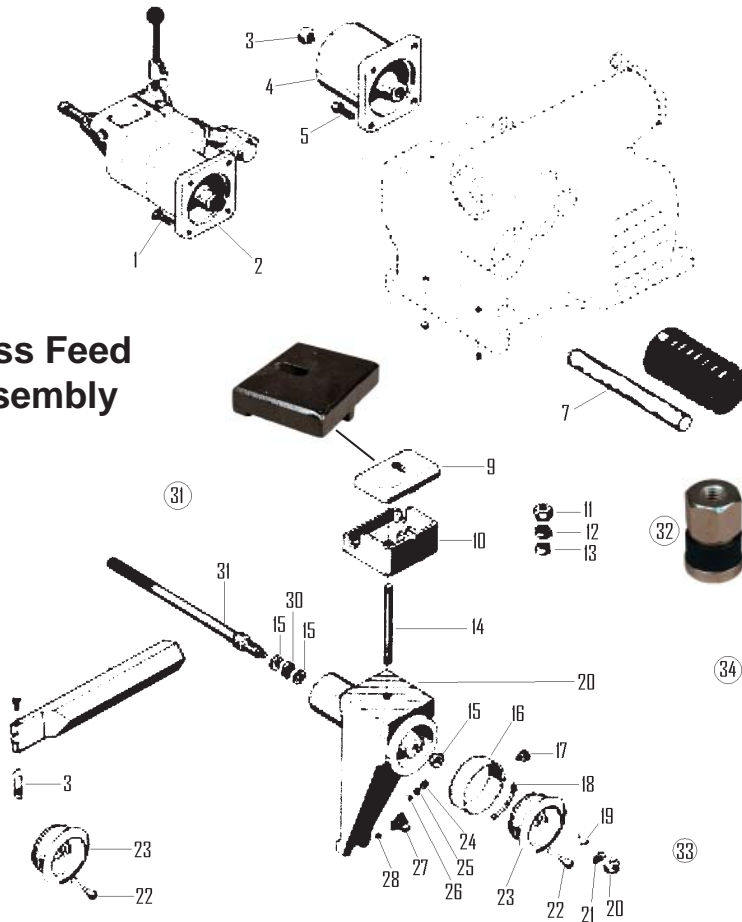


\* RELS Tool Holder & Bit provide superior rotor surface.  
 Fits models 3000, 4000, 4100, 7000, 7700.  
 Requires RM-45016 replacement carbide bit.

\*\* Negative Rake Carbide Holder requires  
 RM-45001 replacement carbide bit.

## Crossfeed Assembly

## Cross Feed Assembly



**Crossfeed Handwheel Assembly**  
**RM-40014A**

(Ref 909626 / 40014A / BL-10156)



**Lower Clamp** (not for 7500)  
**RM-40005**

(Ref 920666, 20666, BL-10067)



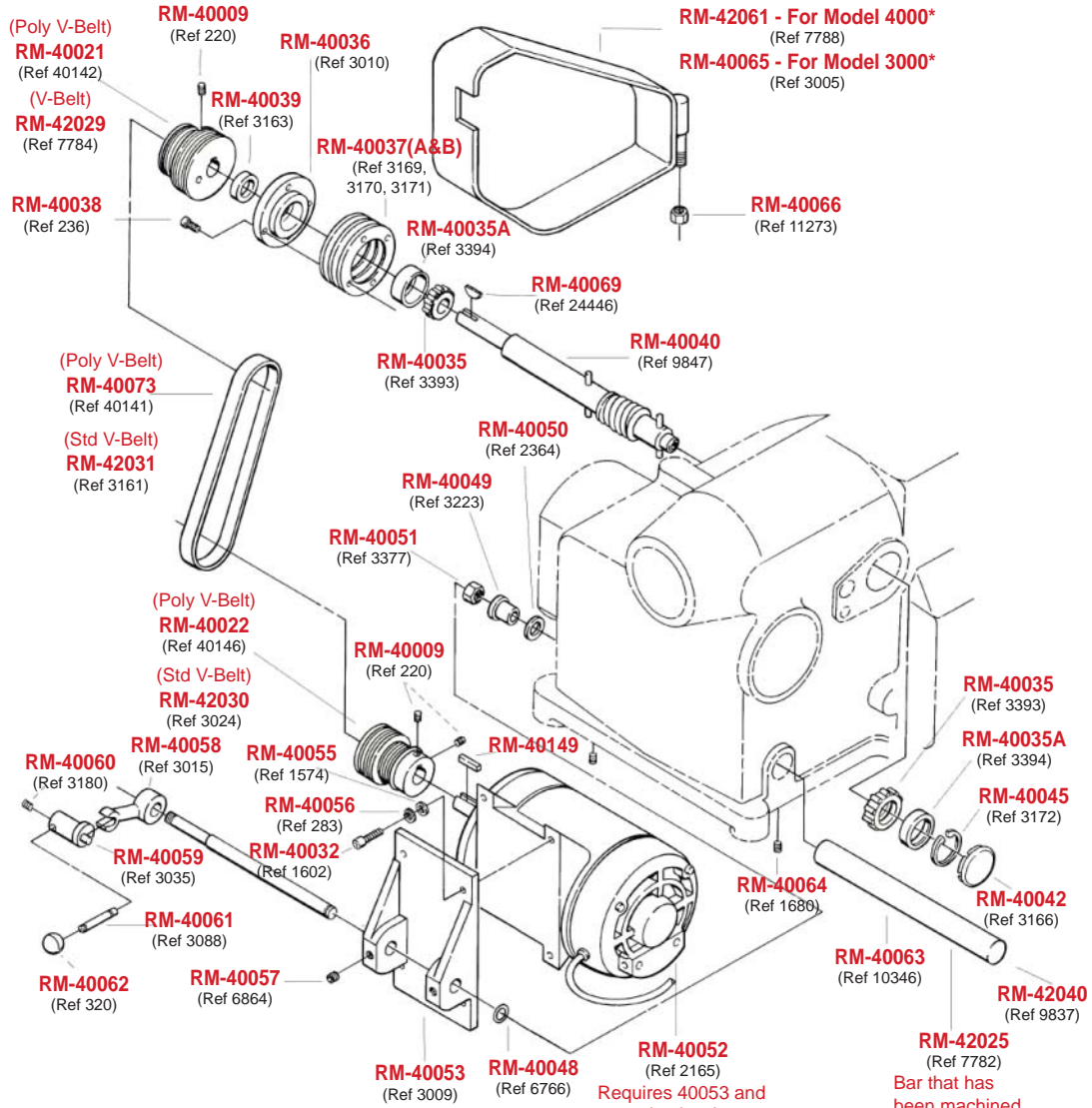
**Std. Negative Rake Drum Tool Holder**  
**RM-45007**

(Ref 909872 / 9872 / 45007)

Item	SVI Part #	Ref #	Req	Description
1	RM-40001	900237 / 40001	4	Cap Screw
2	BL-10149	907751B	1	Gearbox Assy
3	RM-40001	900237 / 40001	1	Nut 3000 / 7700
4	BL-10260	903007	1	Lead Capscrew 3000 / 7700
5	BL-10259	901127	4	Capscrew 3000 / 7700
7	BL-10170	910346 / 40063	1	Guide Bar
9	RM-40004	903017 / 40004	1	Clamp, Boring Bar Upper (not for 7500)
10	RM-40005	920666 / 40005	1	Clamp, Boring Bar Lower (not for 7500)
11	RM-40099	911221 / 40099	1	Locking Nut
12	RM-40008	911225 / 40008	1	Retainer
13	RM-40007	911224 / 40007	1	Washer
14	RM-42007	903031 / 42007	1	Stud, Boring Bar
15	RM-40110	906874 / 40110	1	Race / Friction Washer
16	RM-40016	909634 / 40116	1	Dial
17	RM-40018	906839 / 40018	1	Set Screw
18	RM-40017	909611 / 40017	1	Dial Spring
22	RM-42022	903026 / 42022	1	Handwheel Crank
23	RM-40014	909633 / 40014	1	Handwheel
24	RM-40009	900220 / 40009	1	Set Screw
25	RM-40010	902064 / 40010	1	Spring
	RM-40010-30	90206430 / 40010-30		Spring (30-Pack)
26	RM-40011	909836 / 40011	1	Plug
30	RM-42023	906873 / 42023	1	Needle Thrust Bearing
31	RM-40003	903211-1 / 40003	1	Lead Screw Assy
32	RM-40143	911227 / 40143	1	Hex Nut/Washer, Self Align Assy
33	RM-40014A	909626 / 40014A	1	Crossfeed Handwheel Assy
34	BL-10256	907345	1	Crossfeed Assy
35	RM-45007	909872 / 45007	1	Std. Negative Rake Drum Tool Holder

SVI  
is your  
answer!

# Break Lathe Breakdown Main Motor Assembly for Ammco®\*

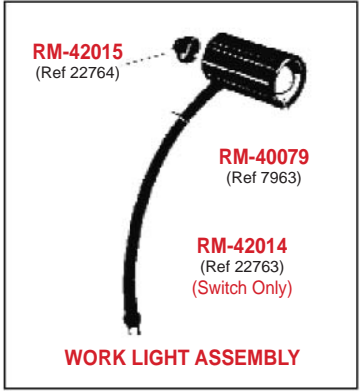
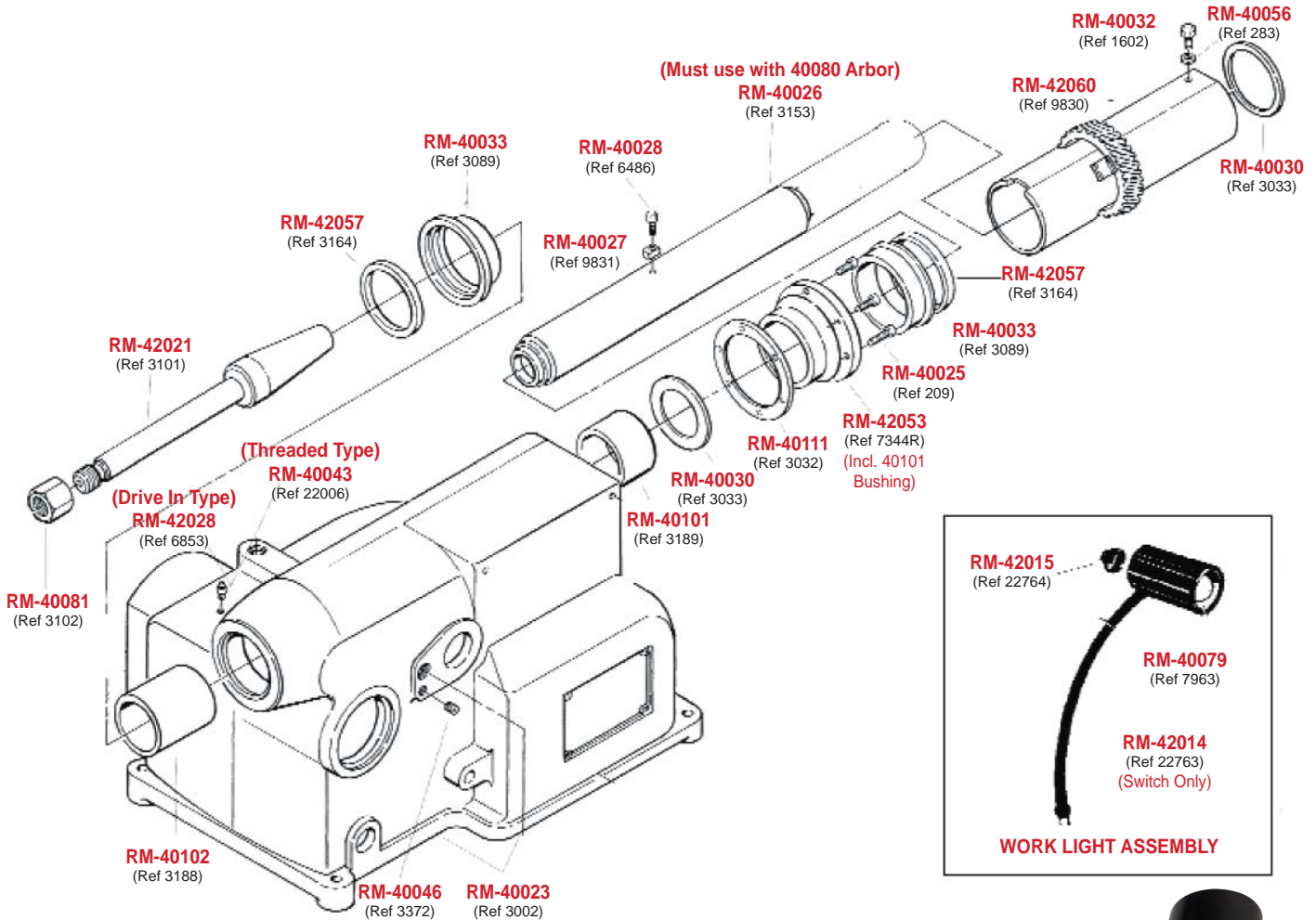


\*Must be used with serpentine pulleys and belt.

Requires 40053 and mounting hardware (4) each of 40203, 40056, 40055. Old Ammco® base and hardware will work, if so equipped.

RM-42025 (Ref 7782)  
 Bar that has been machined down, used on older machines

# Break Lathe Breakdown Spindle Assembly for Ammco®\*

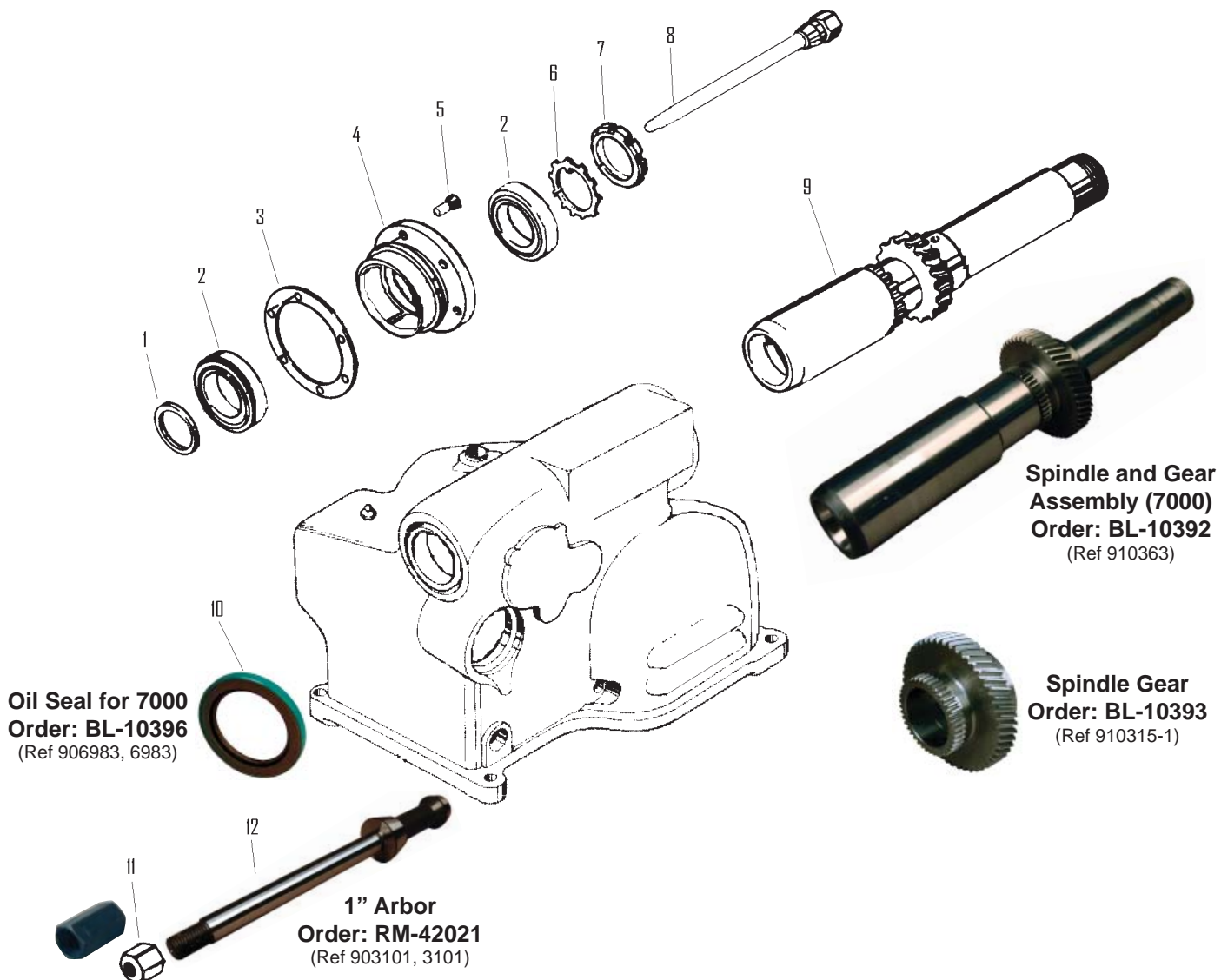




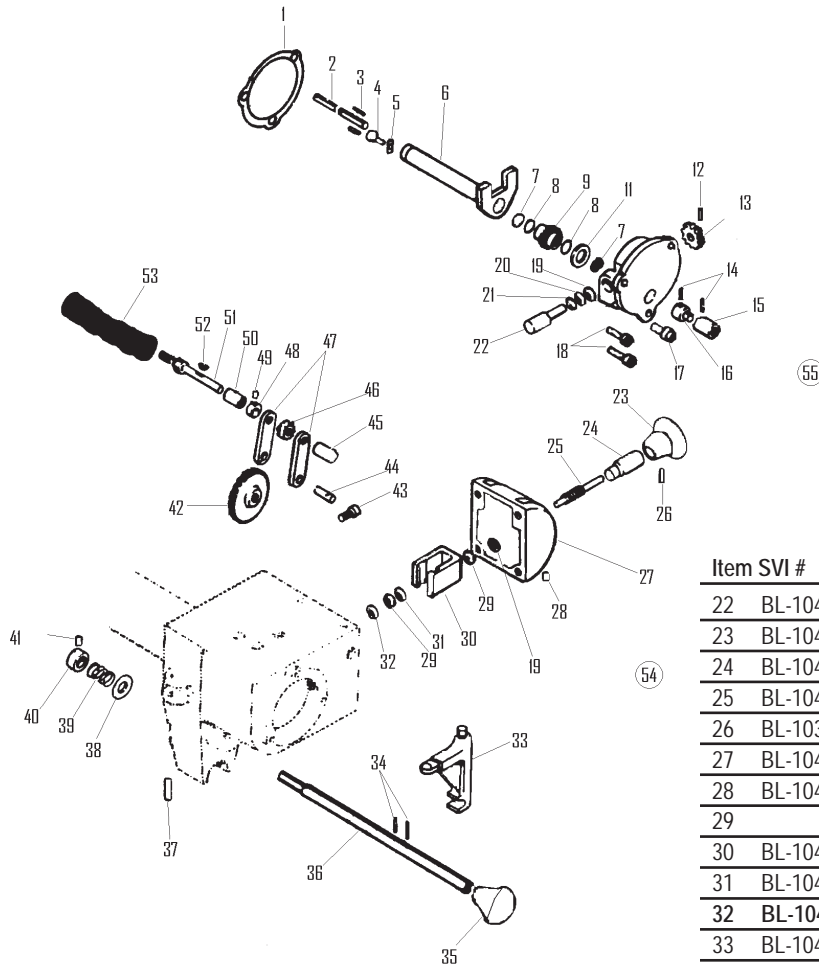
# Break Lathe Breakdown 7000 / 7500 Spindle Assembly for Ammco®\*

Item	SVI Part #	Ref #	Req	Description
1	BL-10385	910303 / 10303	1	Spacer
2	BL-10386	906979 / 6979	2	Bearing
3	RM-40111	903032 / 40111	1	Shim
4	BL-10387	910316 / 10316	1	Rear Flange
5	RM-40025	900209 / 40025	6	Screw
6	BL-10388	906981 / 6981	1	Lock Washer
7	BL-10389	906980 / 6980	1	Lock Nut
8	BL-10390	910364 / 10364	1	Drawbar

Item	SVI Part #	Ref #	Req	Description
9	BL-10391	940021	1	Spindle and Gear Assy 7500
	BL-10392	910363 / 10363	1	Spindle and Gear Assy 7000
	BL-10393	910315-1	1	Spindle Gear <i>(gear only)</i>
	F-RP-0250-1000	903177	1	Roll Pin
10	BL-10395	940720	1	Oil Seal for 7500
	BL-10396	906983 / 6983	1	Oil Seal for 7000
11	RM-40081	903102 / 40081	1	Arbor Nut
12	RM-42021	903101 / 42021	1	Arbor (1")



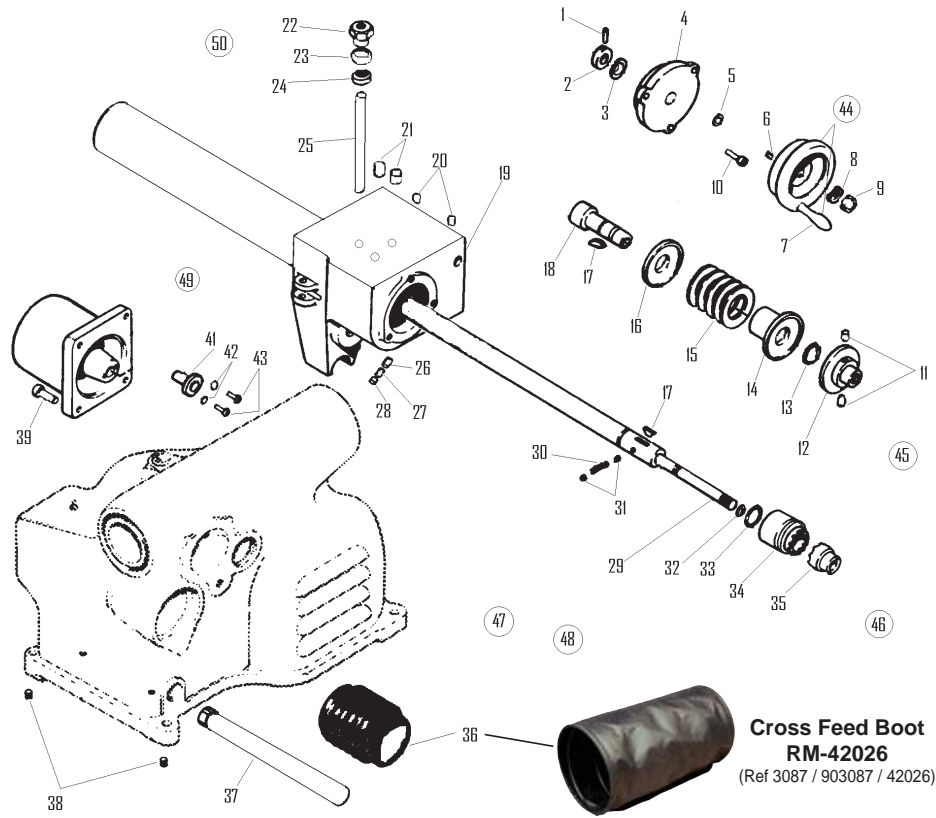
# Break Lathe Breakdown 7000 Cross Feed Controls for Ammco®\*



Item SVI #	Ref #	Req	Description
1	BL-10397 910359	1	Gear Support Gasket
2	BL-10398 928822	1	Drive Rod
3			Available in Kit (BL-10437)
4	RM-40152 905646 / 40152	2	SH Cap Screw
5			Available in Kit (BL-10437)
6	BL-10400 928799	1	Oil Tube Assy
7			Available in Kit (BL-10437)
8			Available in Kit (BL-10437)
9	BL-10401 928823	1	Worm Gear
11	BL-10402 928741	2	Sealed Drawn Cup Bearing
12	BL-10280 904006	1	Roll Pin
13	BL-10403 910311	1	Drive Gear
14	BL-10272 906106	2	Roll Pin
15	BL-10404 910377	1	Drive Coupling
16	BL-10405 910376	1	Drive Coupling
17	BL-10406 906985	1	Shoulder Screw
18	BL-10290 903221	2	SH Cap Screw
19	RM-42108 906973	3	Thrust Washers
20	BL-10407 906976	1	Thrust Bearing
21	BL-10408 906975	1	Thrust Washer

Item SVI #	Ref #	Req	Description
22	BL-10409 910301	1	Worm
23	BL-10410 910331	1	Feed Control Knob
24	BL-10411 910336	1	Bushing
25	BL-10412 910337	1	Adjusting Rod
26	BL-10317 904096	1	Roll Pin
27	BL-10413 910330	1	Cover
28	BL-10414 906891	1	Set Screw
29			Available in Kit (BL-10436)
30	BL-10415 910321	1	Fork
31	BL-10416 928889	1	Wave Washer
32	<b>BL-10417 902304</b>	<b>1</b>	<b>Retaining Ring</b>
33	BL-10418 910365	1	Arm & Pin Assy
34	BL-10419 901963	2	Pin
35	BL-10420 906986	1	Knob
36	BL-10421 910344	1	Shut-Off Rod
37	BL-10394 903177	1	Pin
38	BL-10422 900279	1	Washer
39	BL-10423 903493	1	Spring
40	BL-10214 903039	1	Collar
41	BL-10216 900212	1	Set Screw
42	BL-10424 910326	1	Friction Drive Gear
43	BL-10425 900208	4	SH Screw
44	BL-10426 906967	1	Friction Drive Shaft
45	BL-10427 910341	1	Support Bushing
46	BL-10428 910327	1	Gear
47	BL-10429 910329	2	Link
48	BL-10430 910379	1	Stop Collar
49	BL-10431 903653	1	Roll Pin
50	BL-10432 910338	1	Bushing
51	BL-10433 910378	1	Input Shaft
52	BL-10434 906971	1	Key
53	BL-10435 928824	1	Boot & Spring
54	BL-10436 910354	1	Cross Slide Speed Control Cover Assy. (Items #19, 23-32)
55	BL-10437 928809	1	Cross Feed Power Take-Off Assy. (Items # 1-22)

# Break Lathe Breakdown 7000 Cross Feed Drive for Ammco®\*

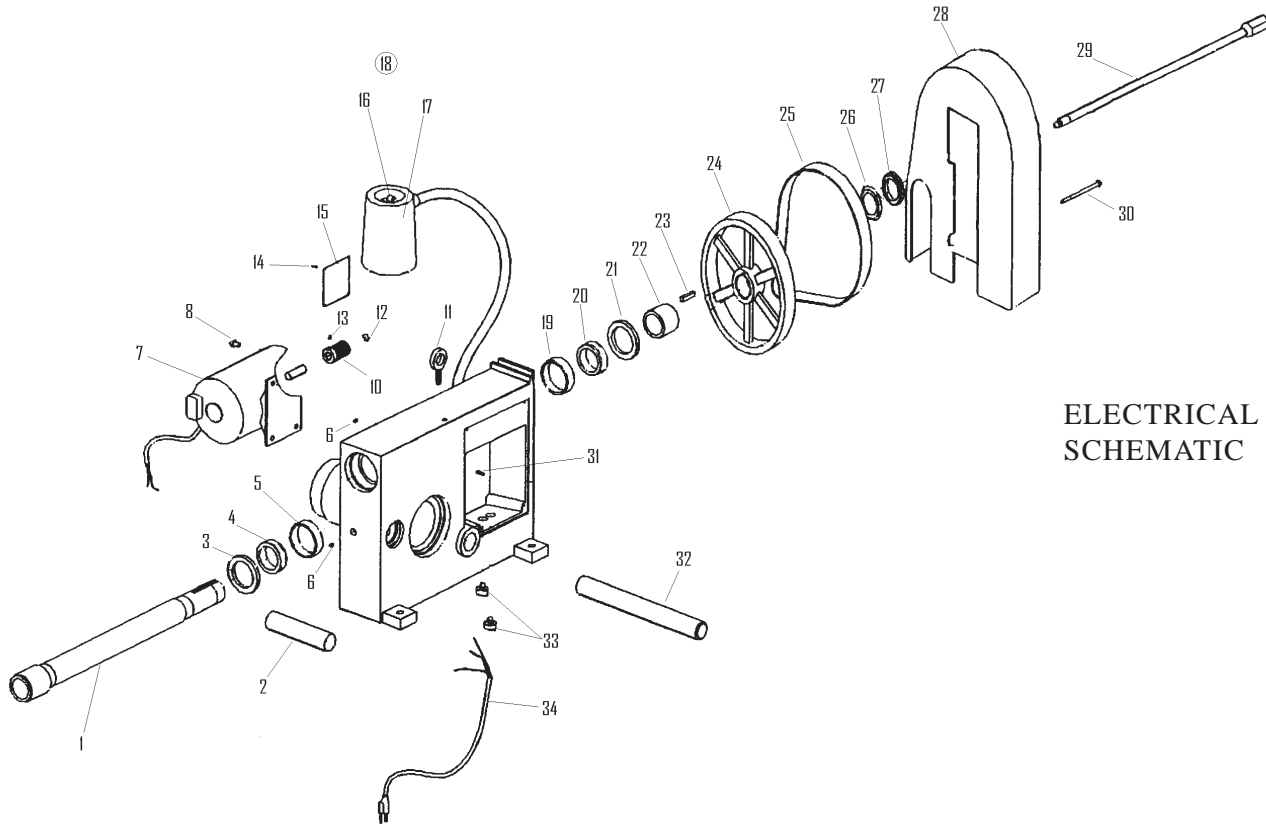


Item	SVI #	Ref #	Req	Description
1	BL-10280	904006	1	Roll Pin
2	BL-10399	910334	1	Stop Collar
3	RM-42108	906973	1	Thrust Washer
4	BL-10438	910358	1	Cover & Bushing Assy
5	BL-10439	906726	1	Washer
6	BL-10440	906972	1	Key
7	RM-42022	903026 / 42022	1	Handwheel Handle
8	BL-10441	900278	1	Washer
9	BL-10442	928299	1	Nut
10	BL-10425	900208	3	SH Capscrew
11	BL-10443	911102	2	Set Screw
12	BL-10444	910324	1	Fixed Friction Disc
13	BL-10314	903174	1	Retaining Ring
14	BL-10445	910325	1	Friction Disc
15	BL-10244	903062	10	Bellville Spring
16	BL-10446	910335	1	Retainer
17	RM-40020	903176 / 40020	2	Key
18	BL-10447	910356	1	Drive Shaft & Pin Assy
19	BL-10448	910323	1	Cross Feed & Bushing Assy
20	BL-10216	900212	2	Set Screw
21	BL-10449	906990	2	Set Screw
22	RM-40099	911221 / 40099	1	Locking Nut
23	RM-40008	911225 / 40008	1	Retainer
24	RM-40007	911224 / 40007	1	Washer
25	RM-42007	903031 / 42007	1	Tool Clamp Stud

Item	SVI #	Ref #	Req	Description
26	RM-40009	900220 / 40009	1	Set Screw
27	RM-40010	902064 / 40010	1	Spring
28	RM-40011	909836 / 40011	2	Plug
29	BL-10450	910318	1	Lead Screw
30	RM-42076	900311	1	Steel Ball
31	RM-42079	903060	2	Spring
32	BL-10283	906138	1	Snap Ring
33	BL-10451	906969	1	Snap Ring
34	BL-10452	910322	1	Clutch, Driven
35	BL-10453	910320	1	Clutch, Drive
36	RM-42026	903087 / 42026	1	Cross Feed Boot
37	BL-10170	910346 / 40063	1	Cross Feed Guide Bar
38	RM-40064	901680 / 40064	2	Set Screw
39	BL-10259	901127	4	SH Capscrew
41				Available in Kit (BL-10459)
42	BL-10263	903910	1	Lock Washer
43	RM-40083	928367	2	Machine Screw
44	BL-10454	910353	1	Handwheel Assy
45	BL-10455	910355	1	Friction Drive Assy (11-18)
46	BL-10456	925310	1	Lead Screw & Clutch Assy (29-35)
47	BL-10457	910357	1	Lead Screw & Clutch Assy Includes (1-10) & 45, 46
48	BL-10458	910350	1	Cross Feed Assy (1-10, 19-21, 45-47)
49	BL-10459	928368	1	Lead Screw Cap Assy (40-43)

# Break Lathe Breakdown

## 3850 / 3860 Drum & Disc Mainframe Assembly for Ammco®\*

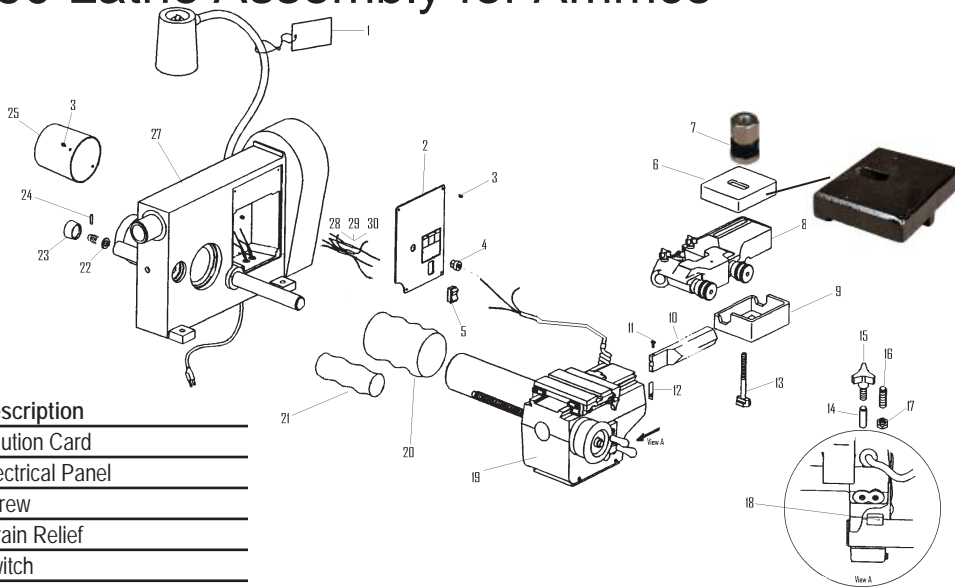


ELECTRICAL SCHEMATIC

Item	SVI #	Ref #	Req	Description
1	BL-10460	29186 / 929186	1	Spindle
2	BL-11605	29164 / 929164	1	Rotor Feed Tube Protector
3	BL-10462	25704 / 925704	1	Seal
4	BL-10463	25705 / 925705	1	Bearing Cone
5	BL-10464	25706 / 925706	1	Bearing Cup
6	BL-10465	100305	2	Grease Fitting
7	BL-10466	29266 / 929266	1	Drive Motor
8	BL-10467	29212 / 929212	4	Flat Head Hex Screw
10	BL-10468	29645 / 929645	1	Motor Sheave
11	BL-10469	29282 / 929282	1	Eye Bolt
12	BL-10470	29235 / 929235	1	Internal Retaining Ring
13	BL-10471	29194 / 929194	1	Socket Head Hex Capscrew
14	RM-40086	306 / 900306 / 40086	8	Drive Screw
15	BL-10472	29244 / 929244	1	Serial Plate
16	RM-42014	22763 / 922763	1	Lamp Switch
17	BL-10473	29236 / 929236	1	Lamp Assembly
18	RM-42015	22764 / 922764	1	Dust Boot

Item	SVI #	Ref #	Req	Description
19	BL-10474	25711 / 925711	1	Bearing Cup
20	BL-10475	25710 / 925710	1	Bearing Cone
21	BL-10476	25709 / 925709	1	Seal
22	BL-10477	29169 / 929169	1	Spacer
23	BL-10478	29203 / 929203	1	Square Key
24	BL-10479	29644 / 929644	1	Spindle Sheave
25	BL-10480	29646 / 929646	1	Belt
26	BL-10388	6981 / 906981	1	Spindle Bearing Lock Ring
27	BL-10389	6980 / 906980	1	Spindle Bearing Adj Nut
28	BL-10481	29640 / 929640	1	Pulley Cover
29	BL-10482	29184 / 929184	1	Draw Bar
30	BL-10483	29232 / 229232	1	Flat Hd Whz Lock Screw
31	BL-10484	6824 / 906824	1	Screw
32	BL-10485	29163 / 929163	1	Guide Bar
33	BL-10486	25783 / 925783	2	Relief Strain
34	BL-10487	29239 / 929239	1	Power Cord

## Break Lathe Breakdown 3850 / 3860 Lathe Assembly for Ammco®\*

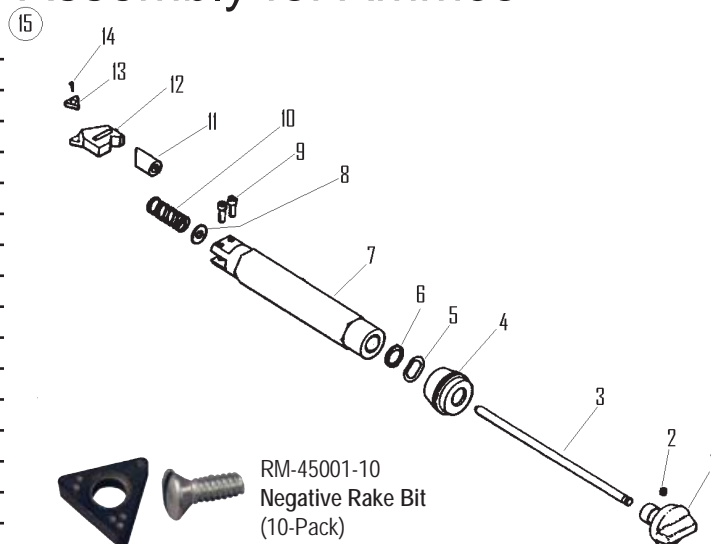


ItemSVI#	Ref#	Req	Description
1	BL-10491 3559 / 903559	1	Caution Card
2	BL-10492 29238 / 929238	1	Electrical Panel
3	BL-10493 29227 / 929227	6	Screw
4	BL-10494 21144 / 921144	1	Strain Relief
5	BL-10495 29242 / 929242	1	Switch
6	RM-40004 3017 / 903017 / 40004	1	Top clamp-boring bar
7	RM-40143 11227 / 911227 / 40143	1	Nut
8	BL-10496 28800 / 928800	1	Twin Cutter Assy 3850
	BL-10497 29800 / 929800	1	Twin Cutter Assy 3860
9	BL-10498 2066 / 902066	1	Bottom clamp-boring bar
10	BL-10359 29240 / 929240	1	Boring Bar Assy 3850
11	RM-40185 5689 / 905689 / 40185	1	Screw 3850
12	RM-45028 5390 / 905390 / 45028	1	Tool Bit Holder 3850
13	BL-10499 29259 / 929259	1	Bolt
15	RM-40013 6854 / 906854 / 40013	1	Knob
16	BL-10502 29201 / 929201	1	Screw
17	BL-10503 29230 / 929230	1	Jam Nut
18	BL-10504 29187 / 929187	1	Crossfeed Gib

ItemSVI#	Ref#	Req	Description
19	BL-10505 29300 / 929300	1	Crossfeed Assy
20	BL-10363 29191 / 929191	1	Crsfd Boot/Ret Ring assy
21	BL-10362 29190 / 929190	1	Lead Screw Bt/Ret Rg assy
22	BL-10506 29217 / 929217	1	Washer
23	BL-10507 29216 / 929216	1	Cap Plug
24	BL-10508 29181 / 929181	1	Pin
25	BL-10509 29198 / 929198	1	Cap, End, Crossfeed
27	BL-10510 29400 / 929400	1	Mainframe Assy
28	BL-10511 29252 / 929252	1	3-wire black wiring harness
29	BL-10512 29157 / 929157	1	4-wire wiring harness
30	BL-10513 29155 / 929155	1	3-wire red wiring harness

## Break Lathe Breakdown 3860 Drum Boring Bar Assembly for Ammco®\*

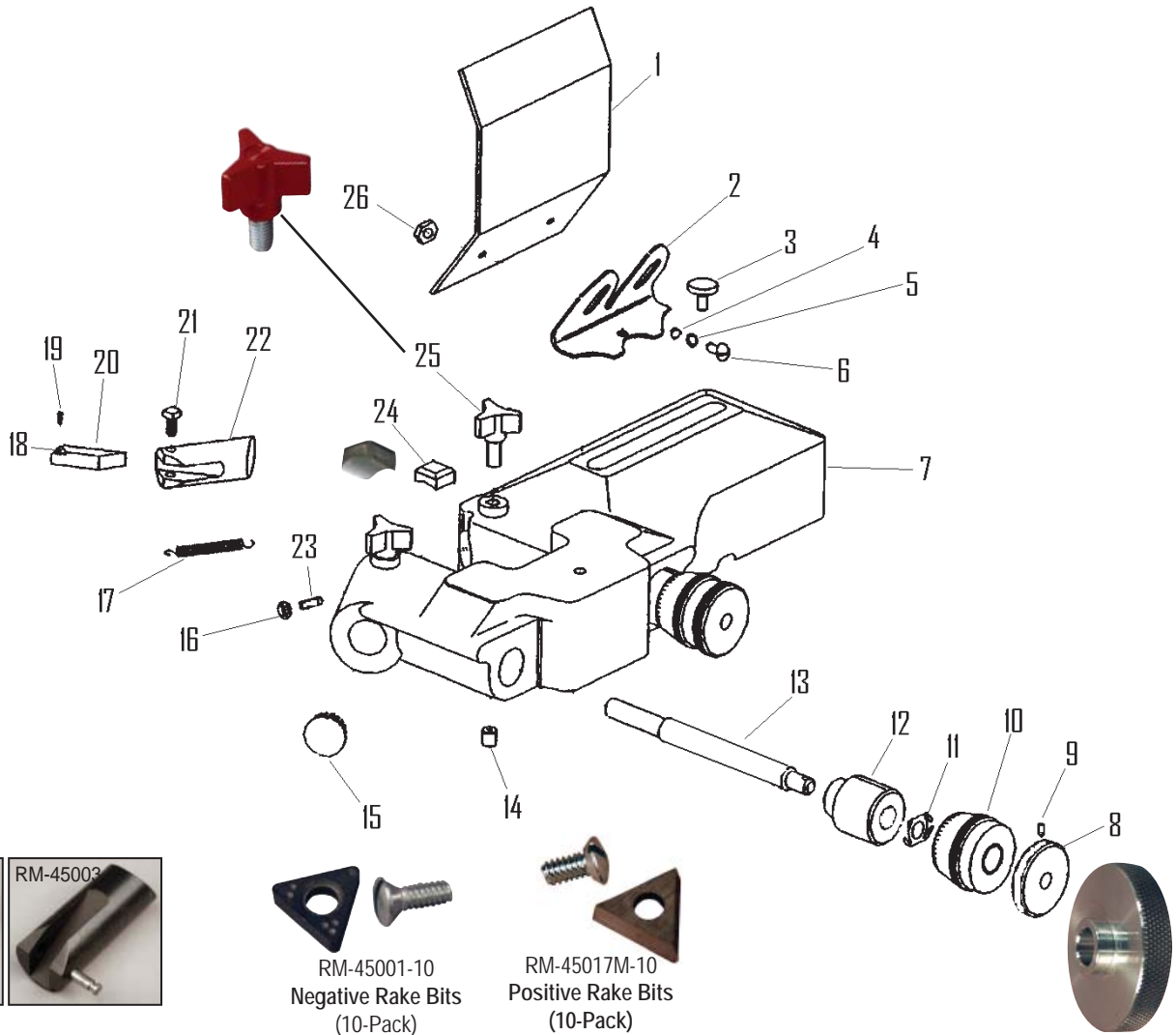
Item SVI #	Ref #	Req	Description
1	BL-10345 25751 / 925751	1	Dial
2	RM-42018 3338 / 903338 / 42018	1	Screw
3	BL-10488 25755 / 925755	1	Rod Dial
4	BL-10343 25752 / 925752	1	Micrometer Dial
5	BL-10342 25758 / 925758	1	Wave Washer
6	BL-10341 25759 / 925759	1	External Ret. Ring
7	BL-10489 25753 / 925753	1	Boring Bar
8	BL-10339 25757 / 925757	2	Screw
9	BL-10338 24922 / 924922	1	Washer
10	BL-10329 25756 / 925756	1	Spring
11	BL-10337 25754 / 925754	1	Sleeve
12	BL-10336 25762 / 925762	1	Holder
13	RM-45001-10 6914 / 906914 / 45001	1	Bit (sold as a 10-Pack)
14	RM-45019 6499 / 906499 / 45019	1	Screw
15	BL-10490 25750 / 925750	1	RH Tool Assembly



Page 93

# Break Lathe Breakdown

## 3850 / 3860 Twin Cutter & Safety Shield for Ammco®\*



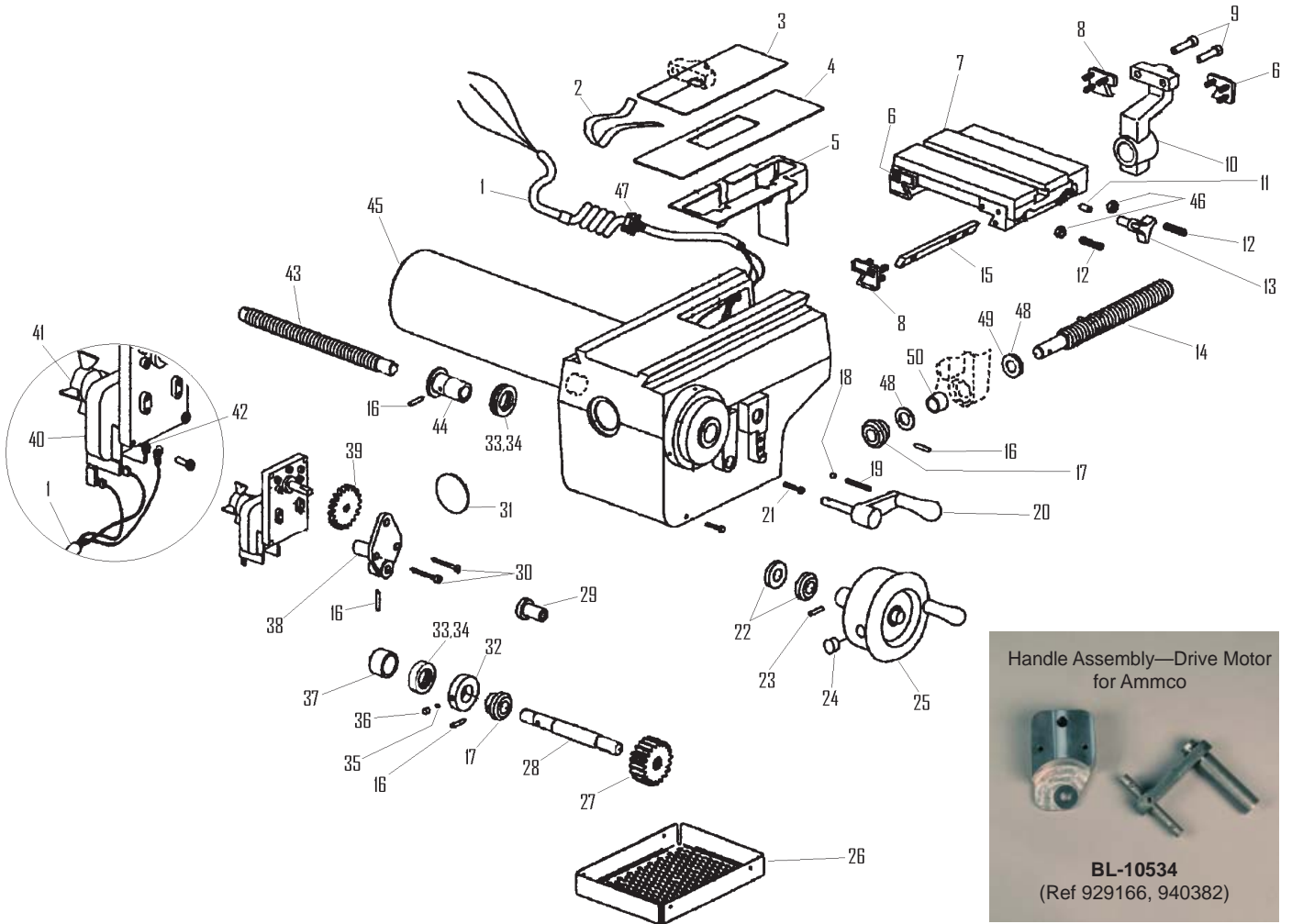
ItemSVI #	Ref #	Req	Description
1	RM-40194 11154 / 911154 / 40194	1	Shield
2	RM-42001B 29254 / 629254 / 42001B	1	Bracket
3	RM-42001G 11152 / 911152 / 42001G	1	Screw
4	BL-10514 4379 / 604379	2	Washer
5	BL-10515 27592 / 927592	2	Spacer
6	BL-10516 24100 / 624100	2	Screw
7	BL-10377 28572 / 928572	1	Twin Cutter Housing
8	RM-40115 6923 / 906923 / 40115	2	Dial Rod Knob
9	RM-42018 3338 / 903338 / 42018	2	Set Screw
10	RM-40113 6907 / 906907 / 40113	2	Micrometer Dial
11	RM-40112 6929 / 906929 / 40112	2	Spring Washer
12	RM-40104 6906 / 906906 / 40104	2	Dial Plug
13	RM-40105 6908 / 906908 / 40105	2	Dial Rod
14	RM-40125 6109 / 906109 / 40125	2	Set Screw
15	RM-40127 6977 / 906977 / 40127	1	Plug
16	RM-40129 3528 / 903528 / 40129	2	Hex Nut

ItemSVI #	Ref #	Req	Description
17	RM-40142 6905 / 906905 / 40142	2	Spring
18	RM-45017M-10 6918 / 906918 / 45017	2	Bit, Pos Rake for 3850 (10-pk)
	RM-45001-10 6914 / 906914 / 45001	2	Bit, Neg Rake for 3860 (10-pk)
19	RM-45019 6499 / 906499 / 45019	2	Screw
20	RM-45012 25968 / 925968 / 45012	1	RH Toolbit holder for 3850
	RM-45013 25969 / 925969 / 45013	1	LH Toolbit holder for 3850
	RM-45005 10701 / 910701 / 45005	1	RH Toolbit holder for 3860
	RM-45006 10702 / 910702 / 45006	2	LH Toolbit holder for 3860
21	RM-40185 9249 / 909249 / 40185	2	Screw
22	RM-45004 10650 / 910650 / 45004	1	LH Tool Holder
	RM-45003 10651 / 910651 / 45003	1	RH Tool Holder
23	RM-40128 9879 / 909879 / 40128	2	Locating Screw
24	RM-40141 28584 / 928584 / 40141	2	Gib, Tool Holder
25	RM-40013 6854 / 906854 / 40013	2	Knob
26	BL-10517 24557	2	Nut

P  
a  
g  
e

# Break Lathe Breakdown

## 3850 / 3860 Crossfeed Assembly for Ammco®\*



# Break Lathe Breakdown

## 3850 / 3860 Crossfeed Assembly for Ammco®\*

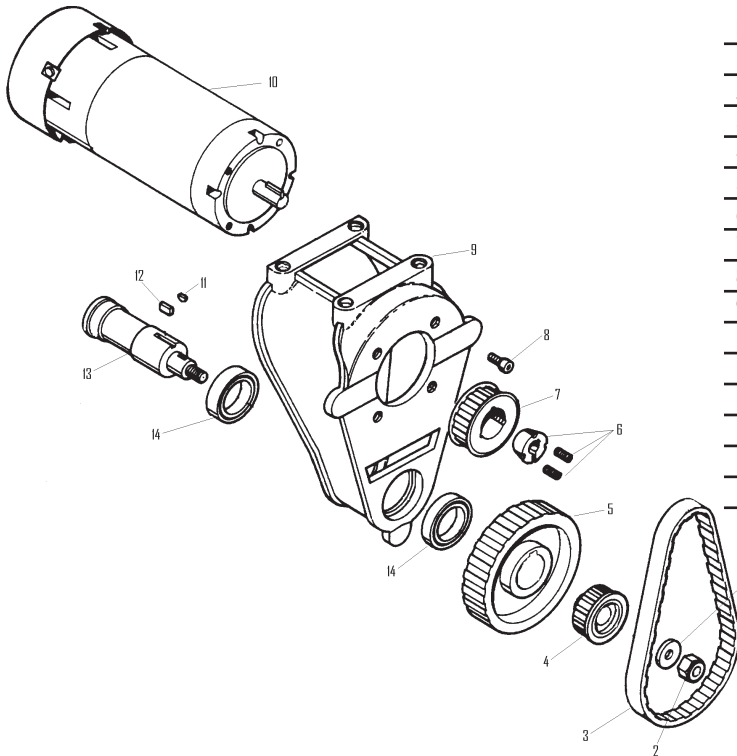
(continued)

Item	SVI #	Ref #	Req Description
1	BL-10518	29253 / 92953	1 Pigtail Cord
2			Electrical Tape
3	BL-10519	29205 / 929205	1 Top Cover
4	BL-10520	29204 / 929204	1 Bottom Cover
5	BL-10521	29202 / 929202	1 Drum Slide Cover
6	BL-10522	29207 / 929207	2 RH Wiper, Tool Slide
7	BL-10523	29156 / 929156	1 Drum Slide
8	BL-10524	29206 / 929206	2 LH Wiper, Tool Slide
9	BL-10526	29231 / 929231	2 Cap Screw
10	BL-10527	29174 / 929174	1 Nut, Drum Slide
11	BL-10528	29229 / 929229	1 Brass Plug
12		29199 / 929199	2 Screw
13	RM-40013	6854 / 906854 / 40013	1 Knob
14	BL-10529	29183 / 929183	1 Lead Screw
15	BL-10530	29170 / 929170	1 Gib, Slide Tool
16	BL-10508	29181 / 929181	4 Drive Lock Groove Pin
17	BL-10531	29182 / 929182	1 Miter Gear
18	BL-10532	24008 / 924008	4 Ball
19	BL-10533	29167 / 929167	1 Spring
20	BL-10534	29166 / 929166 / 940382	1 Handle Assy-Drive Mtr Eng.
21	BL-10535	29246 / 929246	4 Self-tapping Screw
22	BL-10536	40279 / 940279	2 Wiper Ring
23	BL-10537	6424 / 906424	1 Roll Pin
24	BL-10538	40483 / 940483	2 Dome Plug
25	BL-10539	29171 / 929171	1 Handwheel Assy
26	BL-10540	29245 / 929245	1 Bottom Crossfeed Cover
27	BL-10541	29213 / 929213	1 Driven Gear

Item	SVI #	Ref #	Req Description
28	BL-10542	29224 / 929224	1 Shaft
29	BL-10543	29333 / 929333	1 Bushing
30	BL-10544	29234 / 929234	2 Socket Hd Capscrew
31	RM-40042	3166 / 903166 / 40042	1 Expansion Plug
32	BL-10545	29276 / 929276	1 Bearing Collar
33	BL-10546	29220 / 929220	4 Race, Thrust
34	BL-10547	29221 / 929221	2 Bearing, Thrust
35	RM-42096	3141 / 903141 / 92096	1 Brass Plug
36	BL-10471	29194 / 929194	1 Screw
37	BL-10548	29223 / 929223	1 Bronze Bushing
38	BL-10549	29175 / 929175	1 Drive Motor Bracket
39	BL-10550	29214 / 929214	1 Drive Gear
40	BL-10551	29233 / 929233	1 Slide Motor
41	BL-10552	26321-1 / 926321-1	1 Slide Motor Fan
42	BL-10263	3910 / 903910	1 Washer
43	BL-10553	29218 / 929218	1 Rotor Feed Lead Screw
44	BL-10554	29219 / 929219	1 Coupler Assy
45	BL-10555	29158 / 929158	1 Crossfeed
46	BL-10556	29211 / 929211	2 Locknut
47	BL-10486	25783 / 925783	1 Strain Relief
48	BL-10557	29178 / 929178	3 Race, Thrust
49	BL-10558	29179 / 929179	1 Bearing, Thrust
50	BL-10559	29180 / 929180	1 Bronze Bushing
51	BL-10560	27361 / 927361	9 Screw
52	BL-10561	40485 / 940485	1 Handwheel Shield
53	BL-10562	40484 / 940484	2 LH Cover Strip
54	BL-10563	40486 / 940486	2 LH Assy Cover



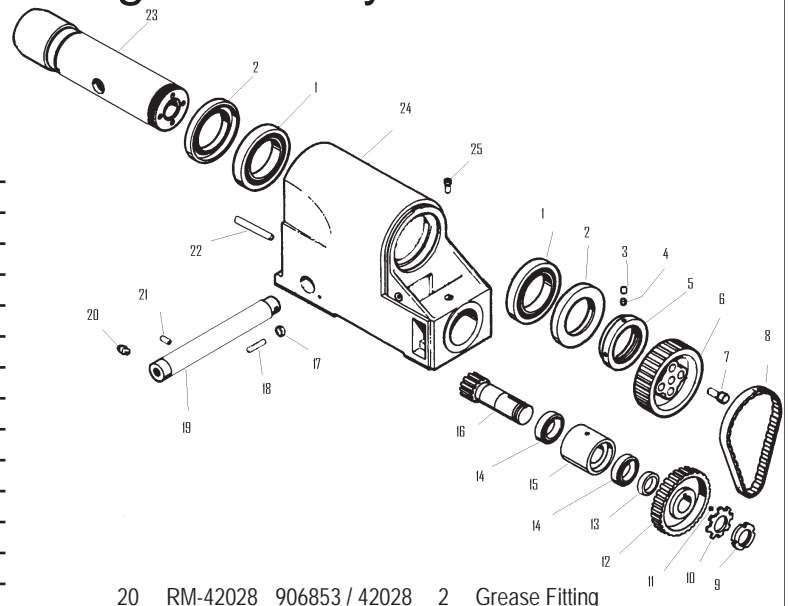
## Break Lathe Breakdown 6000, 6002 Drive Motor Bracket Assembly for Ammco®\*



Item SVI #	Ref #	Req	Description
1	BL-10564	906941	1 Washer
2	BL-10565	920896	1 Lock Nut
3	BL-10566	920897	1 Drive Belt
4	BL-10567	921315	1 Pulley
5	BL-10568	921072	1 Pulley
6	BL-10569	920898	1 Taper lock bushing w/screws
7	BL-10570	920899	1 Pulley
8	BL-10571	905578	4 Cap screws
9	BL-10572	920761	1 Drive Bracket
10	BL-10573	922695	1 Drive Motor w/ Key
11	BL-10574	920918	1 Woodruff Key
12	BL-10575	905022	1 Key
13	BL-10576	921071	1 Lower Pulley Shaft
14	BL-10577	905505	2 Bearing
15	BL-10578	921756	2 Replacement Brush

## Break Lathe Breakdown 6000, 6002 Spindle Housing Assembly for Ammco®\*

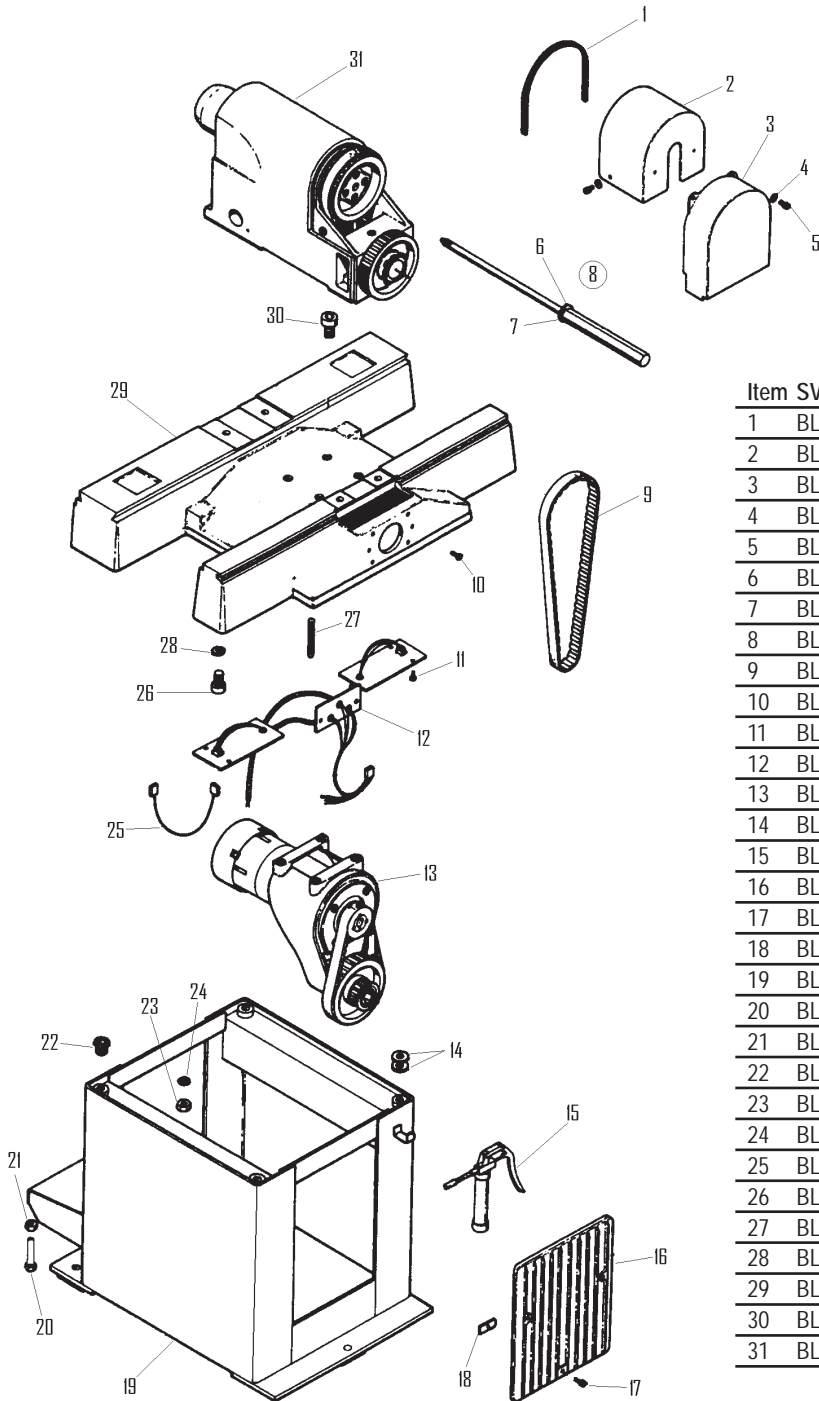
Item SVI #	Ref #	Req	Description
1	BL-10579	921263	2 Bearing
2	BL-10580	921264	2 Seal
3	BL-10581	902993	1 Set Screw
4	BL-10582	921267	1 Nylon Plug
5	BL-10583	921261	1 Bearing Locknut
6	BL-10584	920762	1 Spindle Pulley
7	BL-10585	905535	4 Cap Screw
8	BL-10586	921265	1 Drive Belt
9	BL-10587	905508	1 Lock Nut
10	BL-10588	905510	1 Bearing Lock Washer
11	BL-10575	905022	1 Key
12	BL-10568	921072	1 Pulley
13	BL-10591	925665	1 Spacer
14	BL-10577	905505	2 Bearing
15	BL-10592	921262	1 Counter Shft Bushing
16	BL-10593	921671	1 Pulley Shft Assy
17	RM-40129	903528 / 40129	2 Jam Nut
18	BL-10594	905543	2 Set Screw
19	BL-10595	922596	2 Lead Screw & Nut assy



20	RM-42028	906853 / 42028	2 Grease Fitting
21	BL-10317	904096	2 Roll Pin
22	BL-10596	921273	2 Lock Rod
23	BL-10597	920760	1 Spindle
24	BL-10598	920752	1 Spindle Housing
25	BL-10571	905578	1 Cap Screw

# Break Lathe Breakdown

## 6000, 6002 Base & Bead Assembly for Ammco®\*



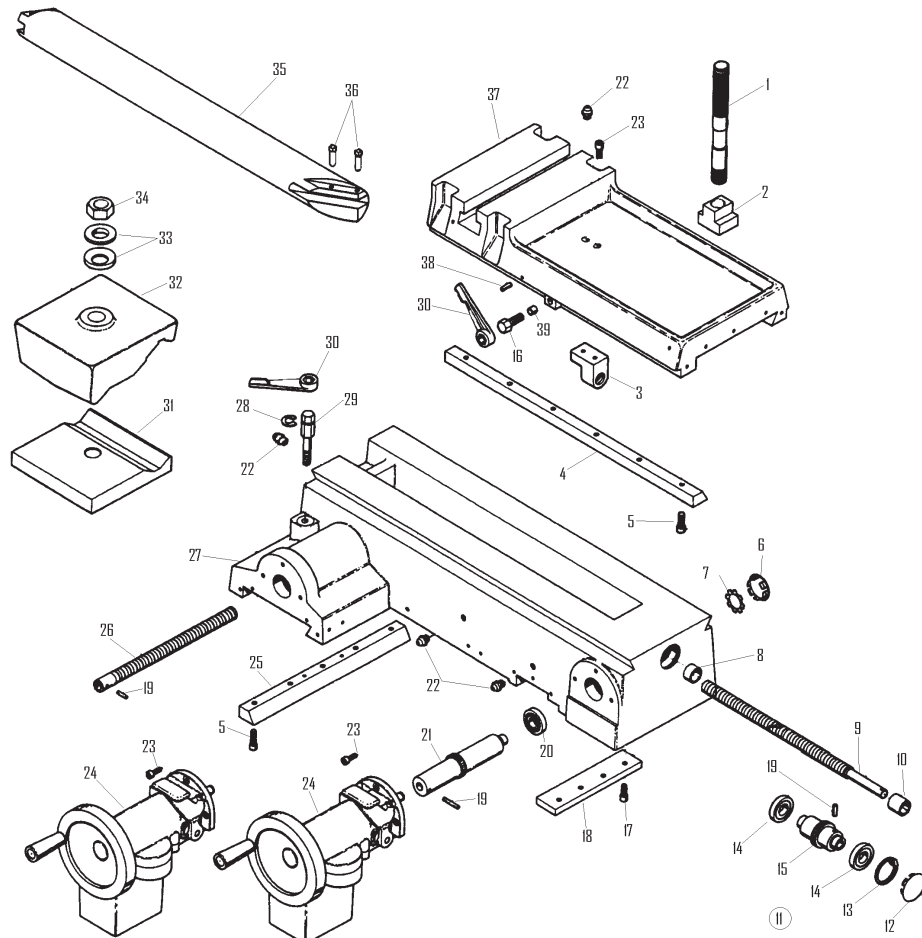
Item	SVI #	Ref #	Req	Description
1	BL-10589	922487	1	Upper Belt Guard Seal
2	BL-10590	921156	1	Upper Belt Guard
3	BL-10514	904379	4	Washer
4	BL-10599	902799	4	Cap Screw
5	BL-10600	921157	1	Lower Belt Guard
6	BL-10601	922127	1	Retaining Ring
7	BL-10602	921331	1	Drawbar Washer
8	BL-10603	921327	1	Drawbar Assy
9	BL-10604	921281	1	Drive Belt
10	BL-10605	921061	2	Screw
11	BL-10606	921986	4	Screw
12	BL-10607	921226	1	Bed Wiring Assy
13	BL-10608	921118	1	Motor Bracket Assy
14	BL-10609	921225	3	Spherical Washer Set
15	BL-10610	921654	1	Grease Gun
16	BL-10611	920880	2	Access Panel
17	BL-10612	921255	6	Nylock Cap Screw
18	BL-10613	921222	6	Access Lock
19	BL-10614	921208	1	Base Weldment
20	BL-10615	906052	2	Screw
21	BL-10616	906123	2	Nut
22	BL-10617	905095	1	Jack Screw
23	BL-10618	920938	4	Nut
24	BL-10619	920937	4	Lock Washer
25	BL-10620	921300	2	Jumper Wire
26	BL-10585	905535	4	Screw
27	BL-10621	921507	4	Stud
28	BL-10622	903476	4	Lock Washer
29	BL-10623	920753	1	Bed
30	BL-10624	901218	4	Screw
31	BL-10625	921259	1	Spindle Housing Assy

# Break Lathe Breakdown

## 6000, 6002 Saddle Assembly for Ammco®\*

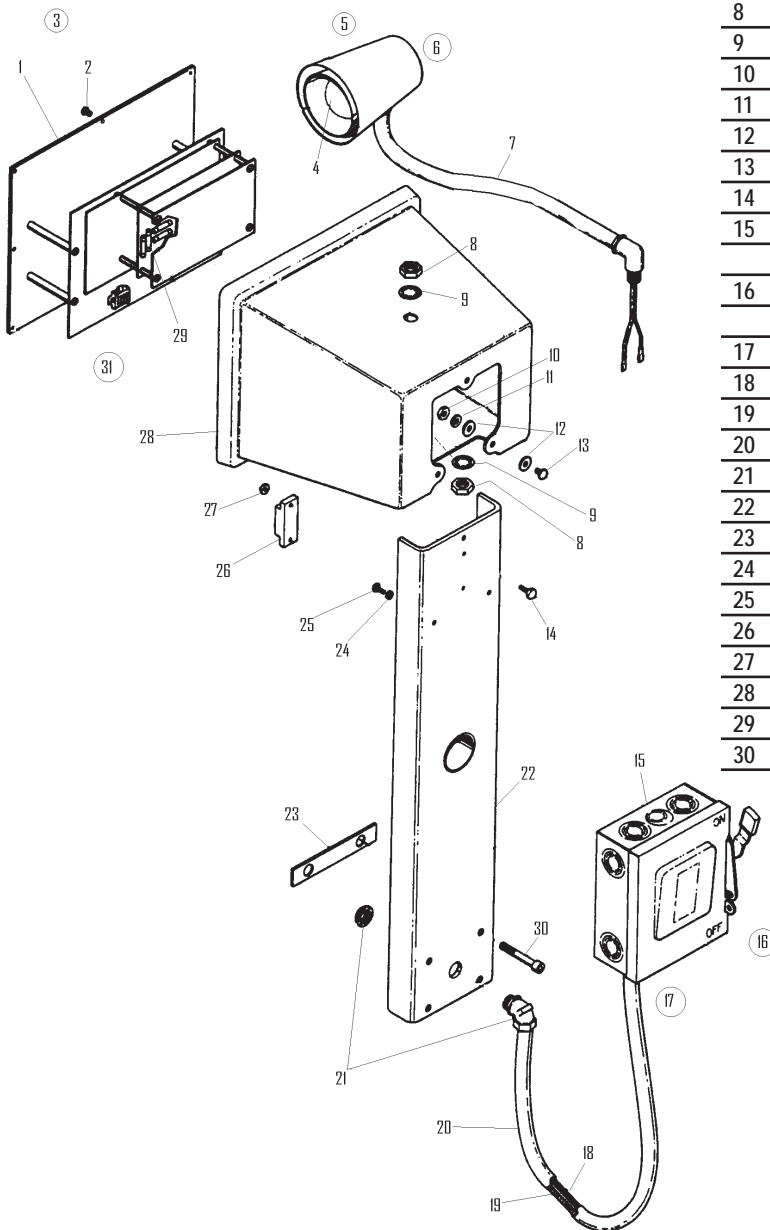
Item SVI #	Ref #	Req	Description
1	BL-10626	921326	1 Stud
2	BL-10627	921325	1 "T" Nut
3	BL-10628	921069	1 Lead Screw Nut
4	BL-10629	921239	1 Cross Slide Gib
5	BL-10612	921255	11 Cap Screw
6	RM-42114	906446	1 Plug Button (6446)
7	BL-10630	922135	1 Retaining Ring
8	BL-10631	905244	1 Spacer
9	BL-10632	921235	1 Lead Screw
10	BL-10633	922762	1 Spacer
11	BL-10634	921234	1 Lead Screw Assy
12	BL-10635	922136	1 Plug Button
13	BL-10636	921244	1 Retaining Ring
14	BL-10637	921233	2 Bearing
15	BL-10638	921236	1 Shaft
16	BL-10639	921242	1 Lock Stud
17	BL-10640	906772	4 Cap Screw
18	BL-10641	921245	1 Hold Down
19	BL-10537	906424	3 Roll Pin
20	BL-10642	921707	1 Bearing
21	BL-10643	921286	1 Driving Shaft

Item SVI #	Ref #	Req	Description
22	BL-10644	902999	4 Grease Fitting
23	BL-10645	921256	8 Cap Screw
24	BL-10646	920850	2 Gear Box Assy
25	BL-10647	921240	1 Saddle Gib
26	BL-10648	921308	1 Lead Screw
27	BL-10649	922599	1 Saddle, RH
	BL-10650	922598	1 Saddle, LH
28	BL-10378	905639	1 E-Ring
29	BL-10651	921241	1 Lock Stud
30	BL-10652	920673	2 Lock Handle
31	BL-10653	923516	1 Boring Bar Base Plate
32	BL-10654	923517	1 Top Boring Bar Clamp
33	BL-10655	905198	1 Washer Set
34	BL-10656	905190	1 Clamp Nut
35	BL-10657	906669	1 Boring Bar
36	RM-40185	905689 / 40185	2 Screw
37	BL-10658	920754	1 Cross Slide, RH
	BL-10659	920755	1 Cross Slide, LH
38	BL-10660	906940	1 Roll Pin
39	BL-10661	921243	1 Plug



# Break Lathe Breakdown

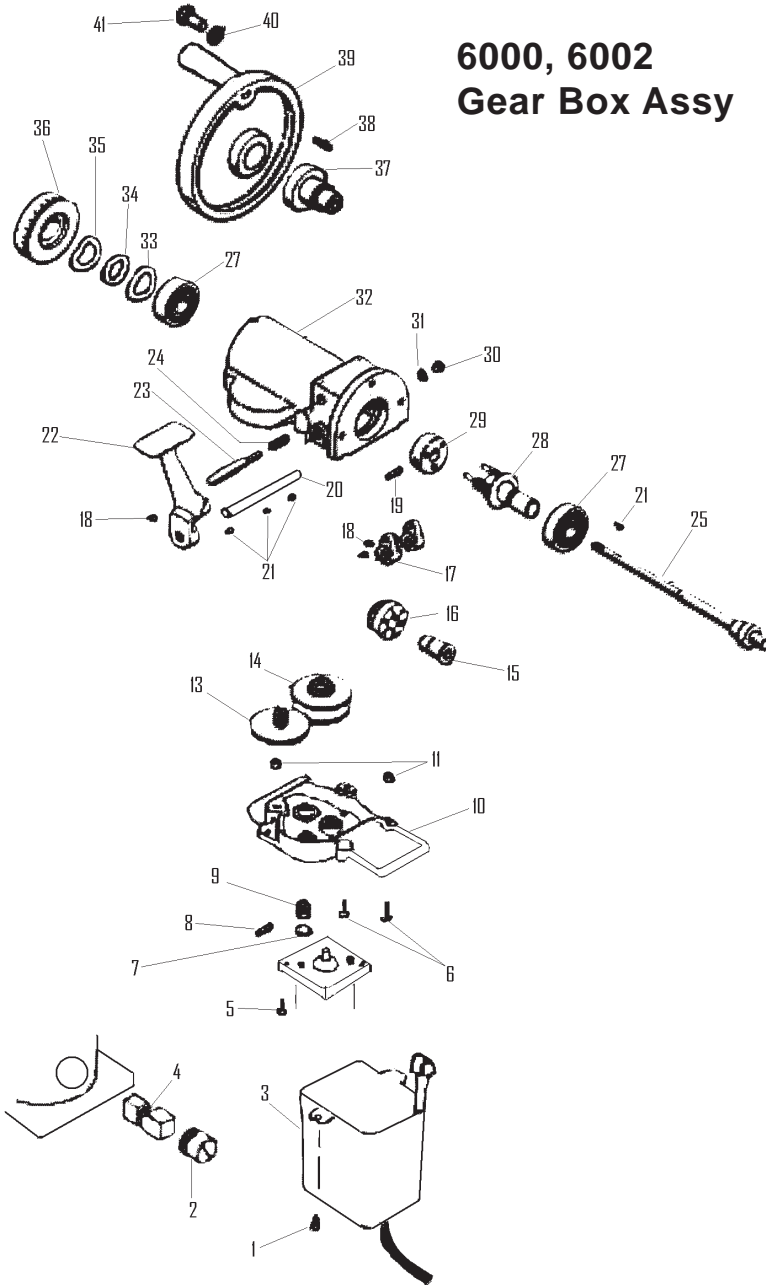
## 6000, 6002 Control Box Assembly for Ammco®\*



Item	SVI #	Ref #	Req	Description
1	BL-10662	921301	1	Control Panel Assy
2	BL-10663	921094	8	Screw
3	BL-10664	921762	1	Pilot lamp - Not Shown For Main Power Switch
4	BL-10665	922034	1	50 Watt Bulb, 220 V
5	BL-10666	925902	1	O-ring Bulb seal-not shown
6	RM-42014	922763	1	Repl. Lamp Switch/Socket
	RM-42015	922764	1	Lamp Switch Dust Boot Kit
7	BL-10667	921409	1	Lamp Assy
8	BL-10668	921411	2	Nut
9	BL-10669	921412	2	Lock Washer
10	RM-40129	903528 / 40129	3	Nut
11	BL-10670	905592	3	Lock Washer
12	BL-10671	900336	6	Washer
13	BL-10672	905544	3	Screw
14	BL-10673	922030	2	Screw
15	BL-10674	922033	1	Disconnect Box Assy
	BL-10675	922482	1	CSA Disc. Box Assy
16	BL-10676	922481	2	20 amp,250V, Class k5, Dual Element Cart. Fuse
17	BL-10677	921448	1	Straight Connector
18	BL-10678	921451-02		12-1/2 Line Wire
19	BL-10679	921451-01		12-1/2 Line Wire
20	BL-10680	921449	6	Liquid Tight Flexible Conduit
21	BL-10681	921447	1	90 degree Connector
22	BL-10682	921332	1	Post Weldment
23	BL-10683	921324	1	Shim
24	RM-42049	901926 / 42049	1	Lock Washer
25	RM-42048	921972 / 42048	1	Screw
26	BL-10684	921336	1	Terminal Block
27	BL-10685	906492	2	Nut
28	BL-10686	920764	1	Control Box
29	BL-10687	922031	4	.5 amp, 250V slow-blow fuse
30	BL-10688	921228	4	Cap Screw

# Break Lathe Breakdown

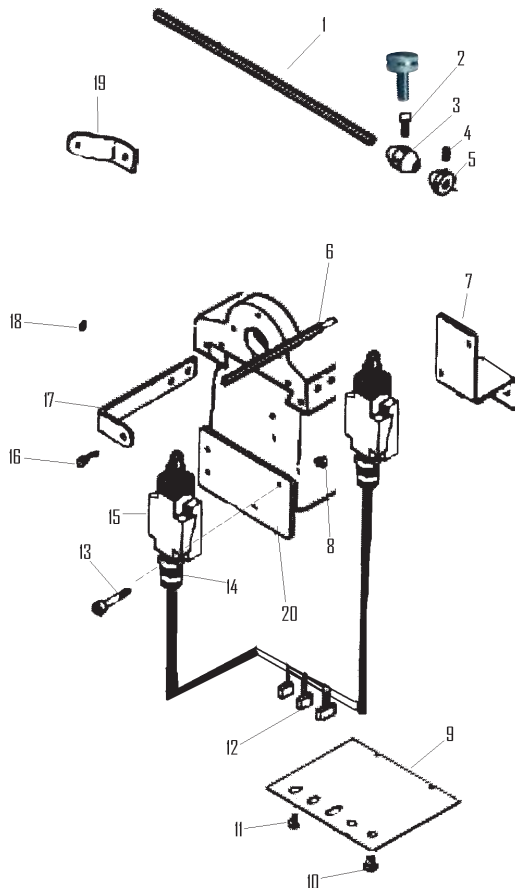
## 6000, 6002 Gear Box Assembly for Ammco®\*



### 6000, 6002 Gear Box Assy

Item	SVI #	Ref #	Req	Description
1	BL-10689	921083	1	Motor Cover Assy
2	BL-10690	922003	2	Replacement Brush
3	RM-40152	905646 / 40152	4	Cap Screw
4	BL-10293	906254	2	Cap Screw
5	BL-10691	925920	1	Washer
6	BL-10692	900205	4	Cap Screw
7-9	BL-10721	922005	1	Motor & Gear Assy
7	BL-10693	922001	1	Washer
8	BL-10694	904292	1	Roll Pin
9	BL-10695	922002	1	Gear
10	BL-10696	920830	1	Cover
11	BL-10697	921502	2	Bushing
13	BL-10698	921066	1	Gear Assy
14	BL-10699	921065	1	Gear Assy
15	BL-10700	920839	1	Bushing
16	BL-10701	920841	1	Bevel Gear
17	BL-10702	920834	2	Shifter
18	RM-40072	900213 / 40072	3	Set Screw
19	BL-10703	903826	1	Roll Pin
20	BL-10704	920835	1	Shaft
21	BL-10434	906971	4	Woodruff Key
22	BL-10705	920837	1	Handle
23	BL-10706	920854	1	Plunger
24	BL-10707	920870	1	Spring
25	BL-10708	920847	1	Shaft
27	BL-10709	920861	2	Bearing
28	BL-10710	920859	1	Clutch Assy
29	BL-10711	920846	1	Clutch Block
30	BL-10712	921067	1	Screw
31	BL-10292	904789	1	Washer
32	BL-10713	920829	1	Gear Case
33	BL-10714	906289	1	Retaining Ring
34	BL-10715	921081	1	Wave Washer
35	BL-10716	921080	1	Feed Dial
36	BL-10300	906451	1	Washer
37	RM-40134	903184 / 40134	1	Lock Nut
38	BL-10717	920862	1	Plug
39	BL-10718	920832	1	Hand Wheel
40	BL-10719	920852	1	Handle
41	BL-10720	904639	1	O-ring

## Break Lathe Breakdown 6000, 6002 Limit Switch Assembly for Ammco®\*

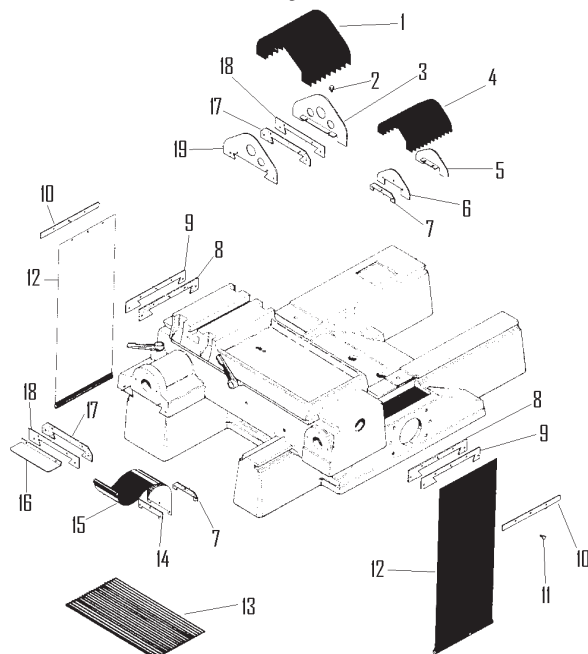


Item	SVI #	Ref #	Req	Description
1	BL-10722	22588 / 922588	2	Cross Slide Rod
2	RM-42024	3084 / 903084 / 42024	6	Lock Screw
3	BL-10723	22589 / 922589	6	Adjustable Stop
4	RM-42018	3338 / 903338 / 42018	8	Set Screw
5	BL-10724	22591 / 922591	8	End Stop
6	BL-10725	22587 / 922587	2	Saddle Rod
7	BL-10726	22592 / 922592	2	Cross Slide Microswitch Bracket
8	BL-10727	11213 / 911213	8	Nut
9	BL-10728	21253 / 921253	2	Saddle Cover
10	BL-10729	20259 / 920259	4	Cord Grip
11	BL-10606	21986 / 921986	8	Self Tapping Screw w/washer
12	BL-10730	22603 / 922603	1	RH Limit Switch Wiring Harness
	BL-10731	22602 / 922602	1	LH Limit Switch Wiring Harness
13	BL-10732	22585 / 922585	8	Socket Head Screw
14	BL-10733	22583 / 922583	4	Cord Grip
15	BL-10734	22582 / 922582	4	Microswitch
16	BL-10735	2189 / 902189	22	Hex Head Screw
17	BL-10736	22594 / 922594	2	Saddle Rod Bracket
18	BL-10514	4379 / 604379	4	Washer
19	BL-10737	22590 / 922590	2	Cross Slide Rod Bracket
20	BL-10738	22593 / 922593	2	Saddle Microswitch Bracket

## Break Lathe Breakdown

### 6000, 6002 Dovetail Wipers & Covers Assy. for Ammco®\*

Item	SVI #	Ref #	Req	Description
1	BL-10739	21279 / 921279	2	Front Cover
2	BL-10606	21986 / 921986	8	Self Tapping Screw w/Washer
3	BL-10740	21280 / 921280	2	Inner Front Cover
4	BL-10741	21271 / 921271	2	Inner Rear Cover
5	BL-10742	21272 / 921272	2	Cover Bracket
6	BL-10743	21270 / 921270	2	Inner, Rear Wiper Shield
7	BL-10744	21269 / 921269	4	Rear Wiper
8	BL-10745	21304 / 921304	4	Wiper
9	BL-10746	21303 / 921303	4	Wiper Shield
10	BL-10747	21302 / 921302	4	Cover Shield
11	BL-10748	21985 / 921985	48	Hex Head Self Tapping Screw
12	BL-10749	21305 / 921305	4	Dovetail Cover Assy
13	BL-10750	21731 / 921731	1	RH Cross Slide Mat
	BL-10751	21732 / 921732	1	LH Cross Slide Mat
14	BL-10752	21285 / 921285	2	Outer Wiper Shield
15	BL-10753	21282 / 921282	2	Outer, Rear Cover Assy
16	BL-10754	21288 / 921288	2	Outer Dovetail Cover
17	BL-10755	21277 / 921277	2	Front Wiper
18	BL-10756	21287 / 921287	4	Outer Wiper Shield
19	BL-10757	21278 / 921278	4	Inner Front Wiper Shield



# Brake Lathe Repair Parts

SVI RELS #	For OEM	Ref #	Description
BL-10149	Ammco®	907751B 7551B	Gearbox Assembly
BL-10153-OE	Ammco®	907788 7788	Belt Guard- Blue
BL-10185	Ammco®	910348 10348	Electrical Panel
BL-10187	Ammco®	903002 3002	Main Frame
BL-10188	Ammco®	907714 7714	Spindle Body 4100/7700
BL-10189	Ammco®	910216 10216	Drive Quill 4100/7700
BL-10190	Ammco®	906868 6868	Flat Head Screw 4100/7700
BL-10191	Ammco®	910737 10737	Keyway Block 4100/7700
BL-10192	Ammco®	904670 4670	Lead Screw Nut - Drum
BL-10193	Ammco®	907729R 7729R	Rear Flange Assembly 4100/7700
BL-10194	Ammco®		Socket Head Capscrew 4000/4100
BL-10195	Ammco®	904671 4671	Take Up Nut
BL-10196	Ammco®	909593 9593	Lock Rod 4100
BL-10197	Ammco®	907716 7716	Drawbar & Nut Assy 4100/7700
BL-10198	Ammco®	903037 3037	Drum Feed Mechanism 3000/4000
BL-10199	Ammco®	907702 7702	Feed Mechanism 4100/7700
BL-10201	Ammco®	903043 3043	Feed Dial Assembly
BL-10202	Ammco®	903097 3097	Retaining Ring
BL-10203	Ammco®	909930 9930	Thrust Bearing
BL-10204	Ammco®	903066 3066	Feed Adjusting Screw
BL-10205	Ammco®	903715 3715	Gear Case Assembly
BL-10206	Ammco®	903132 3132	Groove Pin
BL-10207	Ammco®	903663 3663	Gear Case
BL-10210	Ammco®	903154 3154	Spindle Extension
BL-10213	Ammco®	907717 7717	Shut-Off Assembly- 4100/7700
BL-10215	Ammco®	903058 3058	Clutch Shifter Assembly
BL-10216	Ammco®	900212 212	Allen Set Screw
BL-10217	Ammco®	904449 4449	Hy-Pro Key
BL-10218	Ammco®	903042 3042	Clutch Handle & Shaft Assembly
BL-10219	Ammco®	907343 7343	Feed Control Lever & Diff. Assy.
BL-10222	Ammco®	903098 3098	Dog Point Set Screw
BL-10223	Ammco®	903069 3069	Miter Gear
BL-10224	Ammco®	390094	Socket Head Cap Screw
BL-10225	Ammco®	906155 6155	Wave Washer
BL-10228	Ammco®	909498 9498	Gear Case Cover Assy
BL-10229	Ammco®	903038 3038	Dowel Pin
BL-10230	Ammco®	904641 4641	Bone Fiber Washer
BL-10231	Ammco®	903054 3054	Shaft
BL-10232	Ammco®	908235 8235	Lead Screw & Clutch Assy- 3000/4000
BL-10233	Ammco®	908237 8237	Lead Screw & Clutch Assy- 4100/7700
BL-10236	Ammco®	903047 3047	Sliding Clutch Gear
BL-10237	Ammco®	906163 6163	Retaining Ring
BL-10238	Ammco®	907264 7264	Clutch Jaw
BL-10239	Ammco®	907263 7263	Coil Spring
BL-10240	Ammco®	903061 3061	Spring Loading Cup
BL-10242	Ammco®	903093 3093	Retaining Ring
BL-10243	Ammco®	903064 3064	Washer
BL-10244	Ammco®	903062 3062	Belville Spring
BL-10245	Ammco®	907706 7706	Motor & Mounting Bracket Assy
BL-10246	Ammco®	903244 3244	Lead Wire Assembly
BL-10247	Ammco®	903639 3639	Drive Pulley- 4100/7700
BL-10248	Ammco®	907348 7348	Lever Belt Release Assembly

SVI RELS #	For OEM	Ref #	Description
BL-10249	Ammco®	903186 3186	Cap & Seal Assembly
BL-10250	Ammco®	924239 24239	Groove Pin- 4000/4100
BL-10251	Ammco®	925588 25588	Rubber Tube- 4000/4100
BL-10252	Ammco®	910241 10241	"V" Belt- 4100/7700
BL-10253	Ammco®	903148 3148	Dipstick
BL-10254	Ammco®	903005 3005	Belt Guard- 3000/7700
BL-10255	Ammco®	910352 10352	Electrical Panel Assembly
BL-10256	Ammco®	907345 7345	Cross Feed Assembly
BL-10257	Ammco®	905844 5844	Boring Bar & Screw Assy 4100/7700
BL-10258	Ammco®	907751 7751	Gear Box Assembly 4000/4100
BL-10258-E	Ammco®	907751 7751	Electrical Feed Gearbox - 4000
BL-10259	Ammco®	901127 1127	Cap Screw 3000/7700
BL-10260	Ammco®	903007 3007	Lead Screw Cap- 3000/7700
BL-10261	Ammco®	903185 3185	Nut- 3000/7700
BL-10262	Ammco®	910870 10870	Gear Case Assembly
BL-10263	Ammco®	903910 3910	Lock Washer
BL-10265	Ammco®	907790 7790	Gear Case
BL-10267	Ammco®	909541 9541	Universal Coupling Assembly
BL-10268	Ammco®	921048 21048	Retaining Ring
BL-10269	Ammco®	910272 10272	Spacer
BL-10270	Ammco®	903825 3825	Roll Pin
BL-10271	Ammco®	909539 9539	Coupling
BL-10272	Ammco®	906106 6106	Roll Pin
BL-10273	Ammco®	909540 9540	Universal Coupling
BL-10276	Ammco®	907778 7778	Drive Gear
BL-10278	Ammco®	909814 9814	Shifter Shaft Assembly
BL-10279	Ammco®	907994 7994	Helix Gear
BL-10280	Ammco®	904006 4006	Roll Pin
BL-10281	Ammco®	905613 5613	Retaining Ring
BL-10283	Ammco®	906138 6138	Retaining Ring
BL-10284	Ammco®	909816 9816	Fine Feed Gear
BL-10285	Ammco®	909813 9813	Clutch
BL-10286	Ammco®	909812 9812	Coarse Feed Gear
BL-10288	Ammco®	907902 7902	Gear Case Cover & Tube Assy
BL-10289	Ammco®	907783 7783	Tube
BL-10290	Ammco®	903221 3221	Socket Head Cap Screw
BL-10291	Ammco®	906924 6924	Spring
BL-10292	Ammco®	904789 4789	Washer
BL-10293	Ammco®	906254 6254	Socket Head Cap Screw
BL-10295	Ammco®	906392 6392	Hex Head Machine Screw
BL-10296	Ammco®	906391 6391	Hex Head Machine Screw
BL-10297	Ammco®	904508 4508	Round Head Machine Screw
BL-10298	Ammco®	907742 7742	Shifter Handle Assembly
BL-10299	Ammco®	907746 7746	Shifter Handle Pin
BL-10300	Ammco®	906451 6451	Washer
BL-10301	Ammco®	907699 7699	Spring
BL-10303	Ammco®	924241 24241	Worm Drive Assembly
BL-10304	Ammco®	906742 6742	Roll Pin
BL-10305	Ammco®	907995 7995	Thrust Collar
BL-10308	Ammco®	907998 7998	Drive Housing
BL-10310	Ammco®	907992 7992	Worm Drive Assembly
BL-10311	Ammco®	906834 6834	Cone Point Set Screw
BL-10314	Ammco®	903174 903174	Retaining Ring
BL-10315	Ammco®	909825 9825	Spacer & Bushing Assembly
BL-10316	Ammco®	909822 9822	Coupling & Gear Assembly

# Brake Lathe Repair Parts

SVI RELS #	For OEM	Ref #	Description
BL-10317	Ammco®*	904096 4096	Roll Pin
BL-10318	Ammco®*	907908 7908	Shim .005"
BL-10319	Ammco®*	907903 7903	Shim .010"
BL-10320	Ammco®*	907904 7904	Shim .020"
BL-10321	Ammco®*	907905 7905	Shim .030"
BL-10322	Ammco®*	924516 24516	Shifter & Intermediate Gear Assy
BL-10324	Ammco®*	928529 28529	Lead Screw Nut Kit
BL-10325	Ammco®*	911153 11153	Bracket
BL-10326	Ammco®*	925982 29582	Tool Bar Support
BL-10327	Ammco®*	926027 26027	Name Plate
BL-10328	Ammco®*	923556 23556	T-Bolt
BL-10329	Ammco®*	925756 25756	Compression Spring
BL-10330	Ammco®*	926018 26018	Clamp Assembly
BL-10331	Ammco®*	925985 25985	Clamp
BL-10332	Ammco®*	904508 4508	Round Head Machine Screw
BL-10333	Ammco®*	926015 26015	Safety Shield Assembly
BL-10334	Ammco®*	926014 26014	Bracket
BL-10335	Ammco®*	926016 26016	Safety Decal
BL-10336	Ammco®*	925762 25762	LH Tool Holder
BL-10337	Ammco®*	925754 25754	Sleeve
BL-10338	Ammco®*	924922 24922	Flat Washer
BL-10339	Ammco®*	925757 25757	Shoulder Screw
BL-10340	Ammco®*	925984 25984	Boring Bar
BL-10341	Ammco®*	925759 25759	External Retaining Ring -10 pack
BL-10342	Ammco®*	925758 25758	Wave Washer
BL-10343	Ammco®*	925752 25752	Micrometer Dial
BL-10344	Ammco®*	925983 25983	Dial Rod
BL-10345	Ammco®*	925751 25751	Depth Dial
BL-10346	Ammco®*	925981 25981	LH Tool Bar Assembly
BL-10347	Ammco®*	925980 25980	RH Tool Bar Assembly
BL-10348	Ammco®*	925761 25761	Holder
BL-10351	Ammco®*	925717 25717	Bushing
BL-10352	Ammco®*	925719 25719	Pulley
BL-10353	Ammco®*	902850 2850	Digital Indicator Set
BL-10354	Ammco®*	902777 2777	Electronic Digital Rotor Micrometer
BL-10355	Ammco®*	908600 8600	Electronic Digital Drum Micrometer
BL-10356	Ammco®*	929752 29752	Indicator Gauge
BL-10357	Ammco®*	901101 1101	1" Arbor -use BL-20109 nut
BL-10358	Ammco®*	904101 4101	Arbor use with BL-10021 nut
BL-10359	Ammco®*	929240 29240	Boring Bar: 1-1/2" hex bar, 16-1/2" lng
BL-10360	Ammco®*	909491 9491	Safety Shield for 6000
BL-10361	Ammco®*	928824 28824	Boot & Spring
BL-10362	Ammco®*	929190 29190	Leadscrew Boot
BL-10363	Ammco®*	929191 29191	Cross Feed Boot
BL-10364	Ammco®*	904282 4282	Bearing Protector
BL-10365	Ammco®*	906003 6003	LH Saddle Assy
BL-10366	Ammco®*	902889 2889	Insulation Bushing
BL-10367	Ammco®*	921464 21464	220 V Switch
BL-10368	Ammco®*	907210 7210	220 V Cord Set
BL-10369	Ammco®*	906077 6077	220 V Cord Grip
BL-10370	Ammco®*	907703 7703	Boot & spring 4100,7000
BL-10371	Ammco®*	907712 7712	Lead Screw Nut 4100,7700
BL-10372	Ammco®*	940139 40139	Square Key

SVI RELS #	For OEM	Ref #	Description
BL-10373	Ammco®*	940140 40140 909847C 9847C	Shaft Worm w/square keyway
BL-10374	Ammco®*	900217 217	Set Screw
BL-10375	Ammco®*	910305 10305	Drive Pulley 7000
BL-10376	Ammco®*	925454 25454	Square Key
BL-10377	Ammco®*	928572 28572	6950 Twin Cutter Housing
BL-10378	Ammco®*	905639 5639	"C" Clip
BL-10379	Ammco®*	907997 7997	Worm Drive Assy
BL-10380	Ammco®*	940403 40403	Roll Pin
BL-10381	Ammco®*	940717 40717	Coupler
BL-10382	Ammco®*	940718 40718	Rod & Coupling Assy
BL-10383	Ammco®*	940719 40719	Universal Coupling Assy
BL-10384	Ammco®*	940401 40401	Worm shaft Repair kit
BL-10385	Ammco®*	910303 10303	Spacer
BL-10386	Ammco®*	906979 6979	Bearing
BL-10387	Ammco®*	910316 10316	Rear Flange
BL-10388	Ammco®*	906981 6981	Lock Washer
BL-10389	Ammco®*	906980 6980	Lock Nut
BL-10390	Ammco®*	910364 10364	Drawbar & Nut Assy 4100/7700
BL-10391	Ammco®*	940021 40021	Spindle & Gear Assy 7500
BL-10392	Ammco®*	910363 10363	Spindle & Gear Assy 7000
BL-10393	Ammco®*	910315-1 10315-1	Spindle Gear
BL-10394	Ammco®*	903177 3177	Roll Pin
BL-10395	Ammco®*	940720 40720	Oil Seal for 7500
BL-10396	Ammco®*	906983 6983	Oil Seal for 7000
BL-10397	Ammco®*	910359 10359	Gear Support Gasket
BL-10398	Ammco®*	928822 28822	Drive Rod
BL-10399	Ammco®*	910334 10334	Stop Collar
BL-10400	Ammco®*	928799 28799	Oil Tuve Assy
BL-10401	Ammco®*	928823 28823	Worm Gear
BL-10402	Ammco®*	928741 28741	Sealed Drawn Cup bearing
BL-10403	Ammco®*	910311 10311	Drive Gear
BL-10404	Ammco®*	910377 10377	Drive Coupling
BL-10405	Ammco®*	910376 10376	Drive Coupling
BL-10406	Ammco®*	906985 6985	Shoulder Screw
BL-10407	Ammco®*	906976 6976	Thrust bearing
BL-10408	Ammco®*	906975 6975	Thrust washers
BL-10409	Ammco®*	910301 10301	Worm
BL-10410	Ammco®*	910331 10331	Feed Control Know
BL-10411	Ammco®*	910336 10336	Bushing
BL-10412	Ammco®*	910337 10337	Adjusting Rod
BL-10413	Ammco®*	910330 10330	Cover
BL-10414	Ammco®*	906891 6891	Set Screw
BL-10415	Ammco®*	910321 10321	Fork
BL-10416	Ammco®*	928889 28889	Wave Washer
BL-10417	Ammco®*	902304 2304	Wheel Clip
BL-10418	Ammco®*	910365 10365	Arm & Pin Assy
BL-10419	Ammco®*	901963 1963	Pin
BL-10420	Ammco®*	906986 6986	Knob
BL-10421	Ammco®*	910344 10344	Shut off Rod
BL-10422	Ammco®*	900279 279	Washer
BL-10423	Ammco®*	903493 3493	Spring
BL-10424	Ammco®*	910326 10326	Friction Drive Gear
BL-10425	Ammco®*	900208 208	SH Screw
BL-10426	Ammco®*	906967 6967	Friction drive shaft
BL-10427	Ammco®*	910341 10341	Support bushing



# Brake Lathe Repair Parts

SVI RELS #	For OEM	Ref #	Description	SVI RELS #	For OEM	Ref #	Description	
BL-10428	Ammco®*	910327	10327	Gear	BL-10483	Ammco®*	929232 29232	Flat Head Whiz Lock Screw
BL-10429	Ammco®*	910329	10329	Link	BL-10484	Ammco®*	906824 6824	Screw
BL-10430	Ammco®*	910379	10379	Stop Collar	BL-10485	Ammco®*	929163 29163	Guide Bar
BL-10431	Ammco®*	903653	3653	Roll pin	BL-10486	Ammco®*	625783 25783	Relief Strain
BL-10432	Ammco®*	910338	10338	Bushing	BL-10487	Ammco®*	929239 29239	Power Cord
BL-10433	Ammco®*	910378	10378	Input Shaft	BL-10488	Ammco®*	925755 25755	Rod Dial
BL-10434	Ammco®*	906971	6971	Key	BL-10489	Ammco®*	925753 25753	Boring Bar
BL-10435	Ammco®*	928824	28824	Boot & Spring	BL-10490	Ammco®*	925750 25750	RH Tool Assy
BL-10436	Ammco®*	910354	10354	Cross Slide Speed Control Cover Assy	BL-10491	Ammco®*	903559 3559	Cauton Card
BL-10437	Ammco®*	928809	28809	Cross Feed Power Take Off Assy	BL-10492	Ammco®*	929238 29238	Electrical Panel
BL-10438	Ammco®*	910358	10358	Cover & Bushing Assy	BL-10493	Ammco®*	929227 29227	Screw
BL-10439	Ammco®*	906726	6726	Washer	BL-10494	Ammco®*	921144 21144	Strain Relief
BL-10440	Ammco®*	906972	6972	Key	BL-10495	Ammco®*	929242 29242	Switch
BL-10441	Ammco®*	900278	278	Washer	BL-10496	Ammco®*	928800 28800	Twin Cutter Assy 3850
BL-10442	Ammco®*	928299	28299	Nut	BL-10497	Ammco®*	929800 29800	Twin Cutter Assy 3860
BL-10443	Ammco®*	911102	11102	Set Screw	BL-10498	Ammco®*	902066 2066	Bottom Clamp-boring bar
BL-10444	Ammco®*	910324	10324	Fixed Friction Disc	BL-10499	Ammco®*	929259 29259	Bolt
BL-10445	Ammco®*	910325	10325	Friction Disc	BL-10500	Ammco®*		Kit "A" Overhaul kit for 4000 Based Models
BL-10446	Ammco®*	910335	10335	Retainer	BL-10501	Ammco®*		Kit "B" Tune-Up Kit for 4000 Based Models
BL-10447	Ammco®*	910356	10356	Drive Shaft & Pin Assy	BL-10502	Ammco®*	929201 29201	Screw
BL-10448	Ammco®*	910323	10323	Cross Feed & Bushing Assy	BL-10503	Ammco®*	929230 29230	Jam Nut
BL-10449	Ammco®*	906990	6990	Set Screw	BL-10504	Ammco®*	929187 29187	Crossfeed Gib
BL-10450	Ammco®*	910318	10318	Lead Screw	BL-10505	Ammco®*	929300 29300	Crossfeed Assy
BL-10451	Ammco®*	906969	6969	Snap Ring	BL-10506	Ammco®*	929217 29217	Washer
BL-10452	Ammco®*	910322	10322	Clutch, Driven	BL-10507	Ammco®*	929216 29216	Cap Plug
BL-10453	Ammco®*	910320	10320	Clutch, Drive	BL-10508	Ammco®*	929181 29181	Pin
BL-10454	Ammco®*	910353	10353	Handwheel Assy	BL-10509	Ammco®*	929198 29198	Cap End Crossfeed
BL-10455	Ammco®*	910355	10355	Friction Drive Assy	BL-10510	Ammco®*	929400 29400	Mainframe assy
BL-10456	Ammco®*	925310	25310	Lead Screw & Clutch Assy	BL-10511	Ammco®*	929252 29252	3-wire black wiring harness
BL-10457	Ammco®*	910357	10357	Lead Screw & Clutch Assy	BL-10512	Ammco®*	929157 29157	4-wire wiring harness
BL-10458	Ammco®*	910350	10350	Cross Feed Assy	BL-10513	Ammco®*	929155 29155	3-wire red wiring harness
BL-10459	Ammco®*	928368	28368	Lead Screw Cap Assy	BL-10514	Ammco®*	604379 4379	Washer
BL-10460	Ammco®*	929186	29186	Spindle	BL-10515	Ammco®*	927592 27592	Spacer
BL-10461	Ammco®*	921864	21864	Rotor Feed Tube Protector	BL-10516	Ammco®*	624100 24100	Screw
BL-10462	Ammco®*	625704	25704	Sealed Drawn Cup Bearing	BL-10517	Ammco®*	624557 24557	Nut
BL-10463	Ammco®*	925705	25705	Bearing Cone	BL-10518	Ammco®*	929253 29253	Pigtail Cord
BL-10464	Ammco®*	925706	25706	Bearing Cup	BL-10519	Ammco®*	929205 29205	Top Cover
BL-10465	Ammco®*	100305		Grease Fitting	BL-10520	Ammco®*	929204 29204	Bottom Cover
BL-10466	Ammco®*	929266	29266	Drive Motor	BL-10521	Ammco®*	929202 29202	Drum Slide Cover
BL-10467	Ammco®*	929212	29212	Flat Head Hex Screw	BL-10522	Ammco®*	929207 29207	RH wiper, tool slide
BL-10468	Ammco®*	929645	29645	Motor Sheave	BL-10523	Ammco®*	929156 29156	Drum Slide
BL-10469	Ammco®*	929282	29282	Eye Bolt	BL-10524	Ammco®*	929206 29206	LH Wiper, Tool slide
BL-10470	Ammco®*	929235	29235	Internal Retaining Ring	BL-10525	Ammco®*	929231 29231	Cap Screw
BL-10471	Ammco®*	929194	29194	Socket head hex capscrew	BL-10526	Ammco®*	929174 29174	Nut, Drum slide
BL-10472	Ammco®*	929244	29224	Serial Plate	BL-10527	Ammco®*	929229 29229	Brass Plug
BL-10473	Ammco®*	929236	29236	Lamp Assy	BL-10528	Ammco®*	929199 29199	Screw
BL-10474	Ammco®*	925711	25711	Bearing Cup	BL-10529	Ammco®*	929183 29183	Lead Screw
BL-10475	Ammco®*	925710	25710	Bearing Cone	BL-10530	Ammco®*	929170 29170	Glib, Slide tool
BL-10476	Ammco®*	625709	25709	Seal	BL-10531	Ammco®*	929182 29182	Miter Gear
BL-10477	Ammco®*	929169	29169	Spacer	BL-10532	Ammco®*	924008 24008	Ball
BL-10478	Ammco®*	929203	29203	Square Key	BL-10533	Ammco®*	929167 29167	Spring
BL-10479	Ammco®*	929644	29644	Spindle Sheave	BL-10534	Ammco®*	929166 940382 29166 40382	Handly assy-Drive Mtr Eng.
BL-10480	Ammco®*	929646	29646	Belt	BL-10535	Ammco®*	929246 29246	Self-tapping Screw
BL-10481	Ammco®*	929640	29640	Pulley Cover - Blue	BL-10536	Ammco®*	940279 40279	Wiper Ring
BL-10482	Ammco®*	929184	29184	Draw Bar				

# Brake Lathe Repair Parts

SVI RELS #	For OEM	Ref #	Description
BL-10537	Ammco®*	906424 6424	Roll pin
BL-10538	Ammco®*	940483 40483	Dome Plug
BL-10539	Ammco®*	929171 29171	Handwheel Assy
BL-10540	Ammco®*	929245 29245	Bottom Crossfeed Cover
BL-10541	Ammco®*	929213 29213	Driven Gear
BL-10542	Ammco®*	929224 29224	Shaft Worm w/square keyway
BL-10543	Ammco®*	929333 29333	Bushing
BL-10544	Ammco®*	929234 29234	Socket Hd Capscrew
BL-10545	Ammco®*	929276 29276	Bearing Collar
BL-10546	Ammco®*	929220 29220	Race Thrust
BL-10547	Ammco®*	929221 29221	Bearing, Thrust
BL-10548	Ammco®*	929223 29223	Bronze Bushing
BL-10549	Ammco®*	929175 29175	Drive Motor Bracket
BL-10550	Ammco®*	929214 29214	Drive Gear
BL-10551	Ammco®*	929233 29233	Slide Motor
BL-10552	Ammco®*	926321-1 26321-1	Slide Motor Fan
BL-10553	Ammco®*	929218 29218	Rotor Feed Lead Screw
BL-10554	Ammco®*	929219 29219	Coupler Assy
BL-10555	Ammco®*	929158 29158	Crossfeed
BL-10556	Ammco®*	929211 29211	Locknut
BL-10557	Ammco®*	929178 29178	Thrust, Race
BL-10558	Ammco®*	929179 29179	Bearing, Thrust
BL-10559	Ammco®*	929180 29180	Bronze Bushing
BL-10560	Ammco®*	927361 27361	Screw
BL-10561	Ammco®*	940485 40485	Handwheel Shield
BL-10562	Ammco®*	940484 40484	LH Cover strip
BL-10563	Ammco®*	940486 40486	LH Assy cover
BL-10564	Ammco®*	906941 6941	Washer
BL-10565	Ammco®*	920896 20896	Locknut
BL-10566	Ammco®*	920897 20897	Drive Belt
BL-10567	Ammco®*	921315 21315	Pulley
BL-10568	Ammco®*	921072 21072	Pulley
BL-10569	Ammco®*	920898 20898	Taper Lock Bushing w/ Screws
BL-10570	Ammco®*	920899 20899	Pulley
BL-10571	Ammco®*	905578 905578	Cap Screws
BL-10572	Ammco®*	920761 20761	Drive Bracket
BL-10573	Ammco®*	922695 22695	Drive Motor w/key
BL-10574	Ammco®*	920918 20918	Woodruff key
BL-10575	Ammco®*	905022 5022	Key
BL-10576	Ammco®*	921071 21071	Lower pulley shaft
BL-10577	Ammco®*	905505 5505	Bearing
BL-10578	Ammco®*	921756 21756	Replacement Brush
BL-10579	Ammco®*	921263 21263	Bearing
BL-10580	Ammco®*	921264 21264	Seal
BL-10581	Ammco®*	902993 2993	Set Screw
BL-10582	Ammco®*	921267 21267	Nylon Plug
BL-10583	Ammco®*	921261 21261	Bearing Lock Nut
BL-10584	Ammco®*	920762 20762	Spindle Pulley
BL-10585	Ammco®*	905535 5535	Cap screw
BL-10586	Ammco®*	921265 21265	Drive Belt
BL-10587	Ammco®*	905508 5508	Locknut
BL-10588	Ammco®*	905510 5510	Bearing Lock Washer
BL-10589	Ammco®*	922487 22487	Upper Belt Guard Seal
BL-10590	Ammco®*	921156 21156	Upper Belt Guard
BL-10591	Ammco®*	925665 25665	Spacer
BL-10592	Ammco®*	921262 21262	Counter Shaft Bushing

SVI RELS #	For OEM	Ref #	Description
BL-10593	Ammco®*	921671 21671	Pulley Shaft assy
BL-10594	Ammco®*	905543 5543	Set Screw
BL-10595	Ammco®*	922596 22596	Lead Screw & Nut Assy
BL-10596	Ammco®*	921273 21273	Lock Rod
BL-10597	Ammco®*	920760 20760	Spindle
BL-10598	Ammco®*	920752 20752	Spindle Housing
BL-10599	Ammco®*	902799 2799	Cap Screw
BL-10600	Ammco®*	921157 21157	Lower Belt Guard
BL-10601	Ammco®*	922127 22127	Retaining Ring
BL-10602	Ammco®*	921331 21331	Drawbar Washer
BL-10603	Ammco®*	921327 21327	Drawbar assy
BL-10604	Ammco®*	921281 21281	Drive Belt
BL-10605	Ammco®*	921061 21061	Screw
BL-10606	Ammco®*	921986 21986	Screw
BL-10607	Ammco®*	921226 21226	Bed Wiring Assy
BL-10608	Ammco®*	921118 21118	Motor Bracket Assy
BL-10609	Ammco®*	921225 21225	Spherical Washer set
BL-10610	Ammco®*	921654 21654	Grease Gun
BL-10611	Ammco®*	920880 20880	Access Panel
BL-10612	Ammco®*	921255 21255	Nylock Cap Screw
BL-10613	Ammco®*	921222 21222	Access Lock
BL-10614	Ammco®*	921208 21208	Base Weldment
BL-10615	Ammco®*	906052 6052	Screw
BL-10616	Ammco®*	906123 6123	Nut
BL-10617	Ammco®*	905095 5095	Jack Screw
BL-10618	Ammco®*	920938 20938	Nut
BL-10619	Ammco®*	920937 20937	Lock Washer
BL-10620	Ammco®*	921300 21300	Jumper wire
BL-10621	Ammco®*	921507 21507	Stud
BL-10622	Ammco®*	903476 3476	Lock Washer
BL-10623	Ammco®*	920753 20753	Bed Wiring Assy
BL-10624	Ammco®*	901218 1218	Screw
BL-10625	Ammco®*	901259 1259	Spindle Housing Assy
BL-10626	Ammco®*	921326 21326	Stud
BL-10627	Ammco®*	921325 21325	"T" Nut
BL-10628	Ammco®*	921069 21069	Lead Screw Nut
BL-10629	Ammco®*	921239 21239	Cross Slide Gib
BL-10630	Ammco®*	922135 22135	Retaining ring
BL-10631	Ammco®*	905244 5244	Spacer
BL-10632	Ammco®*	921235 21235	Lead Screw
BL-10633	Ammco®*	922762 22762	Spacer
BL-10634	Ammco®*	921234 21234	Lead Screw Assy
BL-10635	Ammco®*	922136 22136	Plug Button
BL-10636	Ammco®*	921244 21244	Retaining Ring
BL-10637	Ammco®*	921233 21233	Bearing
BL-10638	Ammco®*	921236 21236	Shaft
BL-10639	Ammco®*	921242 21242	Lock Stud
BL-10640	Ammco®*	906772 6772	Cap Screw
BL-10641	Ammco®*	921245 21245	Hold Down
BL-10642	Ammco®*	902177 2177	Bearing
BL-10643	Ammco®*	921286 21286	Driving Shaft
BL-10644	Ammco®*	902999 2999	Grease Fitting
BL-10645	Ammco®*	921256 21256	Cap Screw
BL-10646	Ammco®*	920850 20850	Gear Box Assy
BL-10647	Ammco®*	921240 21240	Saddle Gib
BL-10648	Ammco®*	921308 21308	Lead Screw

# Brake Lathe Repair Parts

SVI RELS #	For OEM	Ref #	Description	SVI RELS #	For OEM	Ref #	Description		
BL-10649	Ammco®*	922599	22599	RH Saddle	BL-10705	Ammco®*	920837	20837	Handle
BL-10650	Ammco®*	922598	22598	LH Saddle	BL-10706	Ammco®*	920854	20854	Plunger
BL-10651	Ammco®*	921241	21241	Lock Stud	BL-10707	Ammco®*	920870	20870	Spring
BL-10652	Ammco®*	920673	20673	Lock Handle	BL-10708	Ammco®*	920847	20847	Shaft
BL-10653	Ammco®*	923516	23516	Boring Bar Base Plate	BL-10709	Ammco®*	920861	20861	Bearing
BL-10654	Ammco®*	923517	23517	Top Boring Bar Clamp	BL-10710	Ammco®*	920859	20859	Clutch Assy
BL-10655	Ammco®*	905198	5198	Washer Set	BL-10711	Ammco®*	920846	20846	Clutch block
BL-10656	Ammco®*	905190	5190	Clamp Nut	BL-10712	Ammco®*	921067	21067	Screw
BL-10657	Ammco®*	906669	6669	Boring Bar	BL-10713	Ammco®*	920829	20829	Gear Case
BL-10658	Ammco®*	920754	20754	RH Cross Slide	BL-10714	Ammco®*	906289	6289	Retaining ring
BL-10659	Ammco®*	920755	20755	LH Cross Slide	BL-10715	Ammco®*	921081	21081	Wave Washer
BL-10660	Ammco®*	906940	6940	Roll pin	BL-10716	Ammco®*	921080	21080	Feed Dial
BL-10661	Ammco®*	921243	21243	Plug	BL-10717	Ammco®*	920862	20862	Plug
BL-10662	Ammco®*	921301	21301	Control Paney Assy	BL-10718	Ammco®*	920832	20832	Hand Wheel
BL-10663	Ammco®*	921094	21094	Screw	BL-10719	Ammco®*	920852	20852	Handle
BL-10664	Ammco®*	921762	21762	Pilot lamp for main power switch	BL-10720	Ammco®*	904639	4639	O-Ring
BL-10665	Ammco®*	922034	22034	50 watt bulb, 220 V	BL-10721	Ammco®*	922005	22005	Motor & Gear Assy
BL-10666	Ammco®*	925902	25902	O-Ring Bulb Seal	BL-10722	Ammco®*	922588	22588	Cross Slide Rod
BL-10667	Ammco®*	921409	21409	Lamp Assy	BL-10723	Ammco®*	922589	22589	Adjustable Stop
BL-10668	Ammco®*	921411	21411	Nut	BL-10724	Ammco®*	922591	22591	End Stop
BL-10669	Ammco®*	921412	21412	Lock Washer	BL-10725	Ammco®*	922587	22587	Saddle Rod
BL-10670	Ammco®*	905592	5592	Lock Washer	BL-10726	Ammco®*	922592	22592	Cross Slide Microswitch Bracket
BL-10671	Ammco®*	900336	336	Washer	BL-10727	Ammco®*	911213	11213	Nut
BL-10672	Ammco®*	905544	5544	Screw	BL-10728	Ammco®*	921253	21253	Saddle Cover
BL-10673	Ammco®*	922030	22030	Screw	BL-10729	Ammco®*	920259	20259	Cord Grip
BL-10674	Ammco®*	922033	22033	Disconnect Box Assy	BL-10730	Ammco®*	922603	22603	RH Limit Switch Wiring Harness
BL-10675	Ammco®*	922482	22482	CSA Disconnect Box Assy	BL-10731	Ammco®*	922602	22602	LH Limit Switch Wiring Harness
BL-10676	Ammco®*	922481	22481	Fuse	BL-10732	Ammco®*	922585	22585	Socket Head Screw
BL-10677	Ammco®*	921448	21448	Straight Connector	BL-10733	Ammco®*	922583	22583	Cord Grip
BL-10678	Ammco®*	921451-02	21451-02	12-1/2 line wire	BL-10734	Ammco®*	922582	22582	Microswitch
BL-10679	Ammco®*	921451-01	21451-01	12-1/2 line wire	BL-10735	Ammco®*	902189	2189	Hex Head Screw
BL-10680	Ammco®*	921449	21449	Liquid Tight Flexible Conduit	BL-10736	Ammco®*	922594	22594	Saddle Rod Bracket
BL-10681	Ammco®*	921447	21447	90 degree Connector	BL-10737	Ammco®*	922590	22590	Cross Slide Rod Bracket
BL-10682	Ammco®*	921332	21332	Post Weldment	BL-10738	Ammco®*	922593	22593	Saddle Microswitch Bracket
BL-10683	Ammco®*	921324	21324	Shim	BL-10739	Ammco®*	921279	21279	Front Cover
BL-10684	Ammco®*	921336	21336	Terminal Block	BL-10740	Ammco®*	921280	21280	Inner Front Cover
BL-10685	Ammco®*	906492	6492	Nut	BL-10741	Ammco®*	921271	21271	Inner Rear Cover
BL-10686	Ammco®*	920764	20764	Control Box	BL-10742	Ammco®*	921272	21272	Cover Bracket
BL-10687	Ammco®*	922031	22031	.5 amp,250V,Slow-blow fuse	BL-10743	Ammco®*	921270	21270	Inner,Rear Wiper Shield
BL-10688	Ammco®*	921228	21228	Cap Screw	BL-10744	Ammco®*	921269	21269	Rear Wiper
BL-10689	Ammco®*	921083	21083	Motor Cover Assy	BL-10745	Ammco®*	921304	21304	Wiper
BL-10690	Ammco®*	922003	22003	Replacement Brush	BL-10746	Ammco®*	921303	21303	Wiper Shield
BL-10691	Ammco®*	925920	25920	Washer	BL-10747	Ammco®*	921302	21302	Cover Shield
BL-10692	Ammco®*	900205	205	Cap Screw	BL-10748	Ammco®*	921985	21985	Hex Head Self Tapping Screw
BL-10693	Ammco®*	922001	22001	Washer	BL-10749	Ammco®*	921305	21305	Dovetail Cover Assy
BL-10694	Ammco®*	904292	4292	Roll pin	BL-10750	Ammco®*	921731	21731	RH Cross Slide Mat
BL-10695	Ammco®*	922002	22002	Gear	BL-10751	Ammco®*	921732	21732	LH Cross Slide Mat
BL-10696	Ammco®*	920830	20830	Cover	BL-10752	Ammco®*	921285	21285	Outer Wiper Shield
BL-10697	Ammco®*	921502	21502	Bushing	BL-10753	Ammco®*	921282	21282	Outer, Rear Cover Assy
BL-10698	Ammco®*	921066	21066	Gear Assy	BL-10754	Ammco®*	921288	21288	Outer Dovetail Cover
BL-10699	Ammco®*	921065	21065	Gear Assy	BL-10755	Ammco®*	921277	21277	Front Wiper
BL-10700	Ammco®*	920839	20839	Bushing	BL-10756	Ammco®*	921287	21287	Outer Wiper Shield
BL-10701	Ammco®*	920841	20841	Bevel Gear	BL-10757	Ammco®*	921278	21278	Inner Front Wiper Shield
BL-10702	Ammco®*	920834	20834	Shifter	BL-10758	Ammco®*	9818-1	9818-1	Cap
BL-10703	Ammco®*	903826	3826	Roll Pin	BL-10759	Ammco®*	940581	40581	Pulley for 4000 GM
BL-10704	Ammco®*	920835	20835	Shaft	BL-10760	Ammco®*	906936	6936	Cross Feed Extension Kit

# Brake Lathe Repair Parts

SVI RELS #	For OEM	Ref #	Description
BL-10761	Ammco®*	926585 26585	Spacer Adapter
BL-10762	Ammco®*	940921 40921	Double Chuck Adapter Set
BL-10763	Ammco®*	900218 218	Set Screw
BL-10764	Ammco®*	900251 251	Hex Nut
BL-10765	Ammco®*	900339 339	Groove Pin
BL-10766	Ammco®*	900378 378	Socket Head Set Screw
BL-10767	Ammco®*	900577 577	Clamp
BL-10768	Ammco®*	900579 579	Screw
BL-10769	Ammco®*	900615 615	Carrier
BL-10770	Ammco®*	900616 616	Carrier
BL-10771	Ammco®*	900625 625	Stone
BL-10772	Ammco®*	9006681 6681	Container
BL-10773	Ammco®*	901724 1724	Lock Washer
BL-10774	Ammco®*	901879 1879	Screw
BL-10775	Ammco®*	901890 1890	Rivet
BL-10776	Ammco®*	901987 1987	Machine Screw
BL-10777	Ammco®*	90216501 2165-01	Motor Kit
BL-10778	Ammco®*	902268 2268	Socket Head Cap Screw
BL-10779	Ammco®*	902291 2291	Washer
BL-10780	Ammco®*	902322 2322	Machine Screw
BL-10781	Ammco®*	902561 2561	Liquid Adhesive
BL-10782	Ammco®*	9028742	Digital Micrometer
BL-10783	Ammco®*	902897 2897	Assembly
BL-10784	Ammco®*	902913 2913	Mounting Plate
BL-10785	Ammco®*	902986 2986	Hex Jam Nut
BL-10786	Ammco®*	902991 2991	Hex Head Cap Screw
BL-10787	Ammco®*	902992 2992	Hex Head Cap Screw
BL-10788	Ammco®*	902994 2994	Hex Head Cap Screw
BL-10789	Ammco®*	902995 2995	Roll Pin
BL-10790	Ammco®*	902996 2996	Bearing
BL-10791	Ammco®*	902997 2997	Bearing
BL-10792	Ammco®*	9030241	Pulley
BL-10793	Ammco®*	903053SA	Drum Gear Box Handwheel Assy
BL-10794	Ammco®*	903056 3056	Clutch Shifter
BL-10795	Ammco®*	903057 3057	Clutch Handle & Shaft Assembly
BL-10796	Ammco®*	903070 3070	Pinion Bushing Assembly
BL-10797	Ammco®*	903073 3073	Pinion Bushing Assembly
BL-10798	Ammco®*	903094 3094	Cap Screw
BL-10799	Ammco®*	903105 3105	Nut
BL-10800	Ammco®*	903126 3126	Groove Pin
BL-10801	Ammco®*	903129 3129	Pin
BL-10802	Ammco®*	903133 3133	Roll Pin
BL-10803	Ammco®*	9032111	Crossfeed Leadscrew
BL-10804	Ammco®*	903320 3320	External Retaining Ring
BL-10805	Ammco®*	903360 3360	Spring
BL-10806	Ammco®*	903398 3398	Set Screw
BL-10807	Ammco®*	903399 3399	Washer
BL-10808	Ammco®*	903433 3433	Vertical Support
BL-10809	Ammco®*	903437 3437	Pedestal
BL-10810	Ammco®*	903451 3451	Bracket
BL-10811	Ammco®*	903463 3463	Cam Lever
BL-10812	Ammco®*	903465 3465	Bracket
BL-10813	Ammco®*	903466 3466	Roller
BL-10814	Ammco®*	903467 3467	Shaft
BL-10815	Ammco®*	903471 3471	Sleeve Retainer
BL-10816	Ammco®*	903479 3479	Hex Nut

SVI RELS #	For OEM	Ref #	Description
BL-10817	Ammco®*	903529 3529	Spring
BL-10818	Ammco®*	903557 3557	Top Plate
BL-10819	Ammco®*	903567 3567	Drive Shank
BL-10820	Ammco®*	903669SA	Feed Mechanism
BL-10821	Ammco®*	903803 3803	Arm
BL-10822	Ammco®*	903815 3815	Screw
BL-10823	Ammco®*	903959 3959	Stone
BL-10824	Ammco®*	904397 4397	Roll Pin
BL-10825	Ammco®*	904425 4425	Hex Head Cap Screw
BL-10826	Ammco®*	904437 4437	Boot
BL-10827	Ammco®*	905381 5381	Screw
BL-10828	Ammco®*	905477 5477	Grinding Wheel Guard
BL-10829	Ammco®*	905520 5520	External Retaining Ring
BL-10830	Ammco®*	905541 5541	Set Screw
BL-10831	Ammco®*	905545 5545	Connector
BL-10832	Ammco®*	905549 5549	Screw
BL-10833	Ammco®*	905562 5562	Roll Pin
BL-10834	Ammco®*	905563 5563	Roll Pin
BL-10835	Ammco®*	905660 5660	Socket Head Set Screw
BL-10836	Ammco®*	905678 5678	Machine Screw
BL-10837	Ammco®*	905796 5796	Adapter
BL-10838	Ammco®*	905845 5845	Bar & Screw Assembly
BL-10839	Ammco®*	906033 6033	Screw
BL-10840	Ammco®*	906046 6046	Outlet
BL-10841	Ammco®*	906047 6047	Outlet
BL-10842	Ammco®*	906055 6055	Hex Nut
BL-10843	Ammco®*	906066 6066	Hex Head Cap Screw
BL-10844	Ammco®*	906101 6101	Machine Screw
BL-10845	Ammco®*	906113 6113	External Retaining Ring
BL-10846	Ammco®*	906140 6140	Retaining ring
BL-10847	Ammco®*	906148 6148	Set Screw
BL-10848	Ammco®*	906353 6353	Socket Head Cap Screw
BL-10849	Ammco®*	906354 6354	Hex Head Cap Screw
BL-10850	Ammco®*	906358 6358	Nut
BL-10851	Ammco®*	906394 6394	Cable Clamp
BL-10852	Ammco®*	906423 6423	Groove Pin
BL-10853	Ammco®*	906488 6488	Socket Head Set Screw
BL-10854	Ammco®*	906497 6497	Stud
BL-10855	Ammco®*	906506 6506	Set Screw
BL-10856	Ammco®*	906509 6509	Jam Nut
BL-10857	Ammco®*	906648 6648	O-ring
BL-10858	Ammco®*	906712 6712	Stud
BL-10859	Ammco®*	906716 6716	Machine Screw
BL-10860	Ammco®*	906743 6743	Retaining ring
BL-10861	Ammco®*	906812 6812	Spring
BL-10862	Ammco®*	906820 6820	Hex Head Cap Screw
BL-10863	Ammco®*	906842 6842	Hex Head Cap Screw
BL-10864	Ammco®*	906844 6844	Set Screw
BL-10865	Ammco®*	906845 908528 6845 8528	Repair Kit (lens)
BL-10866	Ammco®*	906887 6887	C-Ring
BL-10867	Ammco®*	906933 6933	Washer
BL-10868	Ammco®*	906939 6939	Hex Nut
BL-10869	Ammco®*	906960 6960	Muffler
BL-10870	Ammco®*	906962 6962	Roll Pin
BL-10871	Ammco®*	906993 6993	Retaining Ring

# Brake Lathe Repair Parts

SVI RELS #	For OEM	Ref #	Description	SVI RELS #	For OEM	Ref #	Description
BL-10872	Ammco®*	907006SA	Cover Assembly	BL-10928	Ammco®*	908521 8521	Repair Kit (lens)
BL-10874	Ammco®*	907015 7015	Decal	BL-10929	Ammco®*	908524 8524	Dial
BL-10875	Ammco®*	9073131	Gasket	BL-10930	Ammco®*	908525 8525	Bushing
BL-10876	Ammco®*	9073132	Chain Assembly	BL-10931	Ammco®*	908526 8526	Pinion
BL-10877	Ammco®*	9073133	Coupler	BL-10932	Ammco®*	908527 8527	Pointer
BL-10878	Ammco®*	9073141	Plug	BL-10933	Ammco®*	908528 8528	Repair Kit (lens)
BL-10879	Ammco®*	9073142	Chain Assembly	BL-10934	Ammco®*	908529 8529	Repair Kit (lens)
BL-10880	Ammco®*	9073301	Gasket	BL-10935	Ammco®*	908530 8530	Anvil Arm
BL-10881	Ammco®*	9073302	Chain Assembly	BL-10936	Ammco®*	908531 8531	Shaft
BL-10882	Ammco®*	9073311	Gasket	BL-10937	Ammco®*	908540 8540	Dial
BL-10883	Ammco®*	9073312	Chain Assembly	BL-10938	Ammco®*	908540W 8540W	Dial-Metric
BL-10884	Ammco®*	9073313	Bleeder	BL-10939	Ammco®*	908541 8541	Shaft
BL-10885	Ammco®*	9073351	Gasket	BL-10940	Ammco®*	908555 8555	Shank
BL-10886	Ammco®*	9073352	Chain Assembly	BL-10941	Ammco®*	908557 8557	Felt
BL-10887	Ammco®*	907339 7339	Pinion Bushing Assembly	BL-10942	Ammco®*	908561 8561	Screw
BL-10888	Ammco®*	907341 7349	Pinion Bushing Assembly	BL-10943	Ammco®*	908579 8579	Bracket
BL-10889	Ammco®*	907344R 7344R	Leadscrew Flange	BL-10944	Ammco®*	90869101	Screw
BL-10890	Ammco®*	907344R1 7344R1	Leadscrew Flange, GM	BL-10945	Ammco®*	90924925GP	Screw
BL-10891	Ammco®*	907347 7347	Spindle Assembly	BL-10946	Ammco®*	90947902	Body
BL-10892	Ammco®*	907381 7381	Cup	BL-10947	Ammco®*	9094983P	Cover
BL-10893	Ammco®*	907694 7694	Clamp	BL-10948	Ammco®*	909546 9549	Universal Coupling assy
BL-10894	Ammco®*	907726 7726	Bearing and Sleeve	BL-10949	Ammco®*	909594 9594	Instruction
BL-10895	Ammco®*	907727 7727	Sleeve	BL-10950	Ammco®*	909597 9597	Dial
BL-10896	Ammco®*	9077292R	Leadscrew Flange	BL-10951	Ammco®*	909619 9619	Handwheel Kit
BL-10897	Ammco®*	907729R 7729R	Leadscrew Flange	BL-10952	Ammco®*	909623P 9623P	Handwheel for Crossfeed
BL-10898	Ammco®*	907742SA 7742SA	Handle, Saturn	BL-10953	Ammco®*	909623SA 9623SA	Handwheel for Crossfeed
BL-10899	Ammco®*	907744SA 7744SA	Handle Shifter Body	BL-10954	Ammco®*	909673 9673	Rod
BL-10900	Ammco®*	907768 7768	Collar	BL-10955	Ammco®*	909675 9675	Rod
BL-10901	Ammco®*	907783P 7783P	Belt Guard	BL-10956	Ammco®*	909678 9678	Scale
BL-10902	Ammco®*	907788SA	Belt Guard, Saturn	BL-10957	Ammco®*	909693 9693	Instruction
BL-10904	Ammco®*	907824 7824	Plunger	BL-10958	Ammco®*	909732 9732	Spring
BL-10905	Ammco®*	907838 7838	Screw	BL-10959	Ammco®*	909769 9769	Cushion
BL-10906	Ammco®*	907881 7881	Bar & Screw Assembly	BL-10960	Ammco®*	909777 9777	Short Lead Screw & Miter Gear Assy
BL-10907	Ammco®*	907888 7888	Bar & Screw Assembly	BL-10961	Ammco®*	9098151	Drive Assembly, GM
BL-10908	Ammco®*	907902 7902	Cover	BL-10962	Ammco®*	9098153	Drive
BL-10909	Ammco®*	9079023P	Cover	BL-10963	Ammco®*	909815SA	Drive, Saturn
BL-10910	Ammco®*	907998SA	Worm Drive Assembly	BL-10964	Ammco®*	9098181	Disc
BL-10911	Ammco®*	908236 8236	Short Lead Screw & Miter Gear Assy	BL-10965	Ammco®*	909826	Spacer & Bushing Assembly
BL-10912	Ammco®*	908238 8238	Long Lead Screw & Miter Gear Assy	BL-10966	Ammco®*	909835404P	Crossfeed
BL-10913	Ammco®*	90823201	Jaw	BL-10967	Ammco®*	909835SA	Crossfeed, Saturn
BL-10914	Ammco®*	908499 8499	Spring	BL-10968	Ammco®*	909902 9902	Safety Pin
BL-10915	Ammco®*	908502 8502	Body Assembly	BL-10969	Ammco®*	909903 9903	Bolt
BL-10916	Ammco®*	90850250	Body Assembly - Metric	BL-10970	Ammco®*	909906 9906	Gasket
BL-10917	Ammco®*	908502C 8502C	Body Assembly	BL-10971	Ammco®*	909908 9908	Cylinder
BL-10918	Ammco®*	908502W 8502W	Body Assembly	BL-10972	Ammco®*	909909 9909	Handle
BL-10919	Ammco®*	908507 8507	Dial Assembly	BL-10973	Ammco®*	909966 9966-10	Hook, 10 pack
BL-10920	Ammco®*	908509C 8509C	Dial Assembly	BL-10974	Ammco®*	909967 9967	Hook
BL-10921	Ammco®*	908508 8508	Dial Assembly - Metric	BL-10975	Ammco®*	90996820	Gear
BL-10922	Ammco®*	908515 8515	Body	BL-10976	Ammco®*	909986 9986	Spacer
BL-10923	Ammco®*	908516 8516	Plug	BL-10977	Ammco®*	909994 9994	Screw for Plunger Assembly
BL-10924	Ammco®*	908517 8517	Repair Kit (lens)	BL-10978	Ammco®*	9100305	Lube Fitting
BL-10925	Ammco®*	908518 8518	Plunger	BL-10979	Ammco®*	910217 10217	Spacer
BL-10926	Ammco®*	908519 8519	Repair Kit (lens)	BL-10980	Ammco®*	910218 10218	Retainer
BL-10927	Ammco®*	908520 8520	Stud	BL-10981	Ammco®*	910219 10219	Spacer
				BL-10982	Ammco®*	910257 10257	Bar & Screw Assembly

# Brake Lathe Repair Parts

SVI RELS #	For OEM	Ref #	Description
BL-10983	Ammco®*	910276 10276	Spring
BL-10984	Ammco®*	910277 10277	Rod
BL-10985	Ammco®*	910279 10279	Connector
BL-10986	Ammco®*	910280 10280	Wheel
BL-10987	Ammco®*	910282 10282	Link
BL-10988	Ammco®*	910283 10283	Support
BL-10989	Ammco®*	9102841 102841	Silencer
BL-10990	Ammco®*	9102842 102842	Silencer
BL-10991	Ammco®*	910295 10295	Screw for Plunger Assembly
BL-10992	Ammco®*	910306 10306	Drawbar & Nut Assy 4100/7700
BL-10993	Ammco®*	910307 10307	Nut
BL-10994	Ammco®*	910309 10309	Spindle & Gear Assy 7000
BL-10995	Ammco®*	910315 10315	Spindle Gear for 7000
BL-10996	Ammco®*	9103151 103151	Spindle & Gear for 7500
BL-10997	Ammco®*	910340 10340	Drive Rod
BL-10998	Ammco®*	910347 10347	Stud
BL-10999	Ammco®*	910348 10348	Electric Panel
BL-11000	Ammco®*	9103483P	Electric Panel
BL-11001	Ammco®*	910348SA	Electric Panel
BL-11002	Ammco®*	9103524P	Electric Panel
BL-11003	Ammco®*	910352SA	Electric Panel
BL-11005	Ammco®*	910492 10492	Carton
BL-11006	Ammco®*	910494 10494	Carton
BL-11007	Ammco®*	9104991 104991	Carton
BL-11008	Ammco®*	9104992 104992	Scored Pad
BL-11009	Ammco®*	910605 10605	Arm
BL-11010	Ammco®*	910643 10643	Screw
BL-11011	Ammco®*	910644 10644	Knob
BL-11012	Ammco®*	910645 10645	Barrel
BL-11013	Ammco®*	910711 10711	Spring
BL-11014	Ammco®*	910737 10737	Stop Block
BL-11015	Ammco®*	910745 10745	Plug
BL-11016	Ammco®*	910746 10746	Locator
BL-11017	Ammco®*	910749 10749	Power Cord
BL-11018	Ammco®*	9110070	Screw
BL-11019	Ammco®*	9110730	Chart
BL-11020	Ammco®*	9111447	Nylon Hex Head Capscrew
BL-11021	Ammco®*	911220K 11220K	
BL-11022	Ammco®*	911222 11222	Stud
BL-11023	Ammco®*	911227GP	Nut
BL-11024	Ammco®*	920089 20089	Tube & Pad Assembly
BL-11025	Ammco®*	920260 20260	Rivet
BL-11026	Ammco®*	920264 20264	Washer
BL-11027	Ammco®*	920276 20276	Hex Nut
BL-11028	Ammco®*	920287 20287	Removal Tool
BL-11029	Ammco®*	920379 20379	Ball
BL-11030	Ammco®*	920423 20423	Adjusting Nut
BL-11031	Ammco®*	920424 20424	Spacer
BL-11032	Ammco®*	920432 20432	Bushing
BL-11033	Ammco®*	920433 20433	Screw
BL-11034	Ammco®*	920434 20434	Race
BL-11035	Ammco®*	920435 20435	Spring
BL-11036	Ammco®*	920465 20465	Sticker
BL-11037	Ammco®*	920531 20531	Washer
BL-11038	Ammco®*	920545 20545	Washer
BL-11039	Ammco®*	920566 20566	Plate

SVI RELS #	For OEM	Ref #	Description
BL-11040	Ammco®*	920615 20615	Capscrew
BL-11041	Ammco®*	920620 20620	Caster
BL-11042	Ammco®*	920621 20621	Socket
BL-11043	Ammco®*	920662 20662	Slide Tool
BL-11044	Ammco®*	920663 20663	Dovetail
BL-11045	Ammco®*	920664 20664	Leadscrew Nut
BL-11046	Ammco®*	920665 20665	Leadscrew Nut
BL-11047	Ammco®*	9206662P	Lower Boring Bar Clamp
BL-11048	Ammco®*	9206663GP	Upper Boring Bar Clamp
BL-11049	Ammco®*	9206664P	Lower Boring Bar Clamp
BL-11050	Ammco®*	920666P	Lower Boring Bar Clamp
BL-11051	Ammco®*	920666SA	Lower Boring Bar Clamp
BL-11052	Ammco®*	920667 20667	Left Hand Knob
BL-11053	Ammco®*	920668 20668	Right Hand Knob
BL-11054	Ammco®*	920669 20669	Wiper
BL-11055	Ammco®*	920670 20670	Wiper
BL-11056	Ammco®*	920671 20671	Tool Bar
BL-11057	Ammco®*	920674 20674	Gib
BL-11058	Ammco®*	920675 20675	Stud
BL-11059	Ammco®*	920676 20676	Lock
BL-11060	Ammco®*	920677 20677	Plug
BL-11061	Ammco®*	920678 20678	Right Hand Leadscrew & Collet
BL-11062	Ammco®*	920679 20679	Left Hand Leadscrew & Collet
BL-11063	Ammco®*	920683 20683	Right Hand Clamp
BL-11064	Ammco®*	920717 20717	Valve
BL-11065	Ammco®*	920720 20720	Nipple
BL-11066	Ammco®*	920722 20722	Fitting
BL-11067	Ammco®*	920724 20724	Base
BL-11068	Ammco®*	920777 20777	Lock Washer
BL-11069	Ammco®*	920780 20780	Wheel Mount
BL-11070	Ammco®*	920831 20831	Cover
BL-11071	Ammco®*	920908 20908	Rod
BL-11072	Ammco®*	920915 20915	Left Hand Leg
BL-11073	Ammco®*	920915 20915	Right Hand Leg
BL-11074	Ammco®*	921016 21016	Washer
BL-11075	Ammco®*	921017 21017	Nut
BL-11076	Ammco®*	921018 21018	Spacer
BL-11077	Ammco®*	921021 21021	Washer
BL-11078	Ammco®*	921022 21022	Shoe
BL-11079	Ammco®*	921026 21026	Drive Shaft
BL-11080	Ammco®*	921027 21027	Drive Pulley
BL-11081	Ammco®*	921028 21028	Pulley
BL-11082	Ammco®*	921029 21029	Cover
BL-11083	Ammco®*	921031 21031	Case
BL-11084	Ammco®*	921032 21032	Housing
BL-11085	Ammco®*	921037 21037	Motor
BL-11086	Ammco®*	921040 21040	Motor Assembly
BL-11087	Ammco®*	921041 21041	Retaining Ring
BL-11088	Ammco®*	921043 21043	Retaining Ring
BL-11089	Ammco®*	921044 21044	Belt
BL-11090	Ammco®*	921045 21045	Ring
BL-11091	Ammco®*	921046 21046	Screw
BL-11092	Ammco®*	92107501	Connector
BL-11093	Ammco®*	92107502	Connector
BL-11094	Ammco®*	92107506	Connector
BL-11095	Ammco®*	52107507	Connector

# Brake Lathe Repair Parts

SVI RELS #	For OEM	Ref #	Description	SVI RELS #	For OEM	Ref #	Description
BL-11096	Ammco®*	921082	21082 Washer	BL-11154	Ammco®*	921925	21925 Terminal
BL-11097	Ammco®*	92109801	Cable Tie	BL-11155	Ammco®*	921966	21966 Label
BL-11098	Ammco®*	98109802	Cable Tie	BL-11156	Ammco®*	921978	21978 Metric Barrel
BL-11099	Ammco®*	921171	21171 Screw	BL-11157	Ammco®*	922004	22004 Cap
BL-11100	Ammco®*	921180	21180 Capscrew	BL-11158	Ammco®*	922017	22017 Mounting Bracket
BL-11101	Ammco®*	921187	21187 Housing	BL-11159	Ammco®*	922018	22018 Nut
BL-11102	Ammco®*	921188	21188 Shaft	BL-11160	Ammco®*	922022	22022 Rod
BL-11103	Ammco®*	921196	21196 Motor Assembly	BL-11161	Ammco®*	922023	22023 Shield
BL-11104	Ammco®*	921200	21200 Motor Assembly	BL-11162	Ammco®*	922024	22024 Clamp
BL-11105	Ammco®*	921202	21202 Motor Assembly	BL-11163	Ammco®*	922029	22029 Post Weldment
BL-11106	Ammco®*	921322	21322 Shim Gasket	BL-11164	Ammco®*	922032	22032 Fuse Holder
BL-11107	Ammco®*	921323	21323 Terminal	BL-11165	Ammco®*	922043	22043 Pressure Hose
BL-11108	Ammco®*	921349	21349 Switch	BL-11166	Ammco®*	922044	22044 Valve
BL-11109	Ammco®*	921358	21358 Decal	BL-11167	Ammco®*	922045	22045 Safety Valve
BL-11110	Ammco®*	921359	21359 Decal	BL-11168	Ammco®*	922046	22046 Plug
BL-11111	Ammco®*	921388	21388 Scale	BL-11169	Ammco®*	922047	22047 Coupler
BL-11112	Ammco®*	921395	21395 Bolster	BL-11170	Ammco®*	922048	22048 Handle
BL-11113	Ammco®*	921397	21397 Socket	BL-11171	Ammco®*	922049	22049 Wheel
BL-11114	Ammco®*	921400	21400 Toolbit	BL-11172	Ammco®*	922050	22050 Diaphragm
BL-11115	Ammco®*	921401	21401 Toolbit	BL-11173	Ammco®*	922051	22051 Air Release Body
BL-11116	Ammco®*	921410	21410 Bushing	BL-11174	Ammco®*	922052	22052 Washer
BL-11117	Ammco®*	921444	21444 Decal	BL-11175	Ammco®*	922053	22053 Tee Fitting
BL-11118	Ammco®*	921445	21445 Capscrew	BL-11176	Ammco®*	922054	22054 Core
BL-11119	Ammco®*	921446	21446 Lockwasher	BL-11177	Ammco®*	922055	22055 Nut
BL-11120	Ammco®*	921450	21450 Switch	BL-11178	Ammco®*	922056	22056 Nut
BL-11121	Ammco®*	92145101	10 Gauge Red Wire	BL-11179	Ammco®*	922057	22057 Syringe
BL-11122	Ammco®*	92145103	10 Gauge White Wire	BL-11180	Ammco®*	922058	22058 Funnel
BL-11123	Ammco®*	921452	21452 Push-On Terminal	BL-11181	Ammco®*	922059	22059 Nozzle
BL-11124	Ammco®*	921458	21458 Nameplate	BL-11187	Ammco®*	922142	22142 1/4 x 18 NPT Male
BL-11125	Ammco®*	921460	21460 Small Circuit Board	BL-11190	Ammco®*	922243	22243 Plate
BL-11126	Ammco®*	921461	21461 Large Circuit Board	BL-11191	Ammco®*	922331	22331 Nyliner
BL-11127	Ammco®*	921470	21470 Decal	BL-11192	Ammco®*	922338	22338 Tube
BL-11128	Ammco®*	921479	21479 Plug	BL-11193	Ammco®*	922341	22341 Adapter
BL-11129	Ammco®*	921481	21481 Wiring Harness	BL-11194	Ammco®*	922346	22346 Cup
BL-11130	Ammco®*	921488	21488 Screw	BL-11195	Ammco®*	922384	22384 Spring
BL-11133	Ammco®*	921557	21557 Lockwasher	BL-11196	Ammco®*	922396	22396 Sleeve
BL-11134	Ammco®*	921584	21584 Arm Assembly	BL-11197	Ammco®*	922397	22397 Barrel
BL-11135	Ammco®*	921586	21586 Main Tube	BL-11198	Ammco®*	922398	22398 Ring
BL-11136	Ammco®*	921587	21587 Spring	BL-11199	Ammco®*	922402	22402 Screw
BL-11137	Ammco®*	921590	21590 Clamp	BL-11200	Ammco®*	922403	22403 Wearstrip
BL-11138	Ammco®*	921658	21658 Accessory & Wrench	BL-11201	Ammco®*	922404	22404 Spring
BL-11139	Ammco®*	921664	21664 Warning Label	BL-11202	Ammco®*	922405	22405 Sleeve
BL-11140	Ammco®*	921687	21687 Tool	BL-11203	Ammco®*	922406	22406 Barrel
BL-11141	Ammco®*	921703	21703 Screw	BL-11204	Ammco®*	922407	22407 Screw
BL-11142	Ammco®*	921707	21707 Ball Bearing	BL-11205	Ammco®*	922409	22409 Nameplate
BL-11143	Ammco®*	921725	21725 Wire Connector	BL-11206	Ammco®*	922416	22416 Shut-Off Assembly- 3000/4000
BL-11144	Ammco®*	92174301	Kit for Motor	BL-11207	Ammco®*	922512	22512 Screw
BL-11145	Ammco®*	921754	21754 Brush	BL-11208	Ammco®*	922538	22538 Tube
BL-11146	Ammco®*	921755	21755 Brush Holder	BL-11209	Ammco®*	922547	22547 Protector
BL-11147	Ammco®*	921812	21812 Tray	BL-11210	Ammco®*	922548	22548 Protector
BL-11148	Ammco®*	921813	21813 Hook	BL-11211	Ammco®*	922549	22549 Screw
BL-11149	Ammco®*	921828	21828 Sling	BL-11212	Ammco®*	922551	22551 Panel
BL-11150	Ammco®*	921846	21846 Screw	BL-11213	Ammco®*	922597	22597 Lead Screw & Nut Assy
BL-11151	Ammco®*	921920	21920 Wiring Assembly	BL-11214	Ammco®*	922609	22609 Left Hand Microswitch Kit
BL-11152	Ammco®*	921923	21923 Terminal	BL-11215	Ammco®*	922610	22610 Right Hand Microswitch Kit
BL-11153	Ammco®*	921924	21924 Terminal	BL-11216	Ammco®*	922628	22628 Template

# Brake Lathe Repair Parts

SVI RELS #	For OEM	Ref #	Description
BL-11217	Ammco®*	922630 22630	Capscrew
BL-11218	Ammco®*	922763 22763	Switch & Socket Kit
BL-11219	Ammco®*	922764 22764	Boot
BL-11220	Ammco®*	922956 22956	Capscrew
BL-11221	Ammco®*	9237481 237481	Funnel
BL-11222	Ammco®*	9237491 237491	Bucket
BL-11223	Ammco®*	924100-20	Screw, package of 20
BL-11224	Ammco®*	924210 24210	Scale
BL-11225	Ammco®*	924211 24211	Shoulder Screw
BL-11226	Ammco®*	924212 24212	Pivot
BL-11227	Ammco®*	924213 24213	Pointer
BL-11228	Ammco®*	924214 24214	Post Weldment
BL-11229	Ammco®*	924215 24215	Quadrant
BL-11230	Ammco®*	924216 24216	Leg
BL-11231	Ammco®*	924217 24217	Head
BL-11232	Ammco®*	924220 24220	Post
BL-11233	Ammco®*	924221 24221	Leg
BL-11234	Ammco®*	924222 24222	Head
BL-11235	Ammco®*	924223 24223	Leg
BL-11236	Ammco®*	924224 24224	Scribe
BL-11237	Ammco®*	924225 24225	Shaft
BL-11238	Ammco®*	924226 24226	Scribe
BL-11239	Ammco®*	924227 24227	Scribe
BL-11240	Ammco®*	924228 24228	Shaft
BL-11241	Ammco®*	9242413P	Worm Drive
BL-11242	Ammco®*	924290 24290	Plate
BL-11243	Ammco®*	924299 24299	Bowl
BL-11244	Ammco®*	924302 24302	Base
BL-11245	Ammco®*	924303 24303	Piston
BL-11246	Ammco®*	924307 24307	Bottom Screw
BL-11247	Ammco®*	924308 24308	Shield
BL-11248	Ammco®*	924312 24312	Base
BL-11249	Ammco®*	924420 24420	Screw
BL-11250	Ammco®*	924422 24422	Shim
BL-11251	Ammco®*	924430 24430	Hook
BL-11252	Ammco®*	924469 24469	Repair Kit
BL-11253	Ammco®*	924471 24471	Plate
BL-11254	Ammco®*	924475 24475	Mount
BL-11255	Ammco®*	924507 24507	Hardware
BL-11256	Ammco®*	924510 24510	Spacer
BL-11257	Ammco®*	924557 24557	Hex Nut
BL-11258	Ammco®*	924660 24660	Elbow
BL-11259	Ammco®*	92475910GP	Screw, package of 10
BL-11260	Ammco®*	924782 24782	Machine Screw
BL-11261	Ammco®*	924999 24999	Frame
BL-11262	Ammco®*	925008 25008	Gear
BL-11264	Ammco®*	925079 25079	Screw
BL-11265	Ammco®*	925127 25127	Nut
BL-11266	Ammco®*	925128 25128	Tray
BL-11267	Ammco®*	925135 25135	Jaw
BL-11268	Ammco®*	925137 25137	Jaw
BL-11269	Ammco®*	925138 25138	Jaw
BL-11270	Ammco®*	925139 25139	Jaw
BL-11271	Ammco®*	925140 25140	Jaw
BL-11272	Ammco®*	925142 25142	Foam Pad
BL-11273	Ammco®*	925150 25150	Washer

SVI RELS #	For OEM	Ref #	Description
BL-11274	Ammco®*	925151 25151	Screw
BL-11275	Ammco®*	925181 25181	Bushing
BL-11276	Ammco®*	925182SA	Gear Case Assembly
BL-11277	Ammco®*	925184SA	Gear Case Assembly
BL-11278	Ammco®*	9252371P	Blue Bracket
BL-11279	Ammco®*	9252372P	Black Bracket
BL-11280	Ammco®*	925237P	Bracket
BL-11281	Ammco®*	9252551	Sign
BL-11282	Ammco®*	9252551GM	Sign, GM
BL-11283	Ammco®*	9252551SA	Sign, Saturn
BL-11284	Ammco®*	925255F	Sign, Firestone
BL-11285	Ammco®*	925255FD	Sign, Ford
BL-11286	Ammco®*	925255M	Sign, Midas
BL-11287	Ammco®*	925270 25270	Capscrew
BL-11288	Ammco®*	925271 25271	Capscrew
BL-11289	Ammco®*	925317 25317	Collar
BL-11290	Ammco®*	925324 25324	Knob
BL-11291	Ammco®*	925325 25325	Locking Pin
BL-11292	Ammco®*	925640 25640	Lock Nut
BL-11293	Ammco®*	925662 25662	Pressure Gauge
BL-11294	Ammco®*	925663 25663	Safety Valve
BL-11295	Ammco®*	925704 25704	Seal
BL-11296	Ammco®*	925707 25707	Seal
BL-11297	Ammco®*	925708 25708	Seal
BL-11298	Ammco®*	925709 25709	Seal
BL-11299	Ammco®*	92571310GP	Retaining Ring, 10 pack
BL-11300	Ammco®*	925714 25714	Race
BL-11301	Ammco®*	925715 25715	Retaining Ring
BL-11302	Ammco®*	925718GP	Spindle
BL-11303	Ammco®*	925723 25723	Sleeve
BL-11304	Ammco®*	925725GP	Drawbar
BL-11305	Ammco®*	925726 25726	Nut
BL-11306	Ammco®*	925727GP	Spacer
BL-11307	Ammco®*	925728GP	Drive Pulley
BL-11308	Ammco®*	925744GP	Bracket
BL-11309	Ammco®*	925745 25745	Motor
BL-11310	Ammco®*	925746GP	Belt
BL-11311	Ammco®*	925747GP	V-Belt
BL-11312	Ammco®*	925748 25748	Spacer
BL-11313	Ammco®*	925749GP	Slide
BL-11314	Ammco®*	925757GP	Screw
BL-11315	Ammco®*	925765GP	Handwheel
BL-11316	Ammco®*	925766GP	Leadscrew
BL-11317	Ammco®*	925767 25767	Coupler
BL-11318	Ammco®*	925768 25768	Bushing
BL-11319	Ammco®*	925769 25769	Gib
BL-11320	Ammco®*	925769GP	Gib
BL-11321	Ammco®*	925771 25771	Wiper, 8 per package
BL-11322	Ammco®*	9257718GP	Wiper, 8 per package
BL-11323	Ammco®*	925772GP	End Plate
BL-11324	Ammco®*	9257732GP	Gusset
BL-11325	Ammco®*	925774 25774	Shield
BL-11326	Ammco®*	925788 25788	Screw
BL-11327	Ammco®*	925789 25789	Screw
BL-11328	Ammco®*	92579110GP	Nut, (10-pk)
BL-11329	Ammco®*	925792 25792	External Retaining Ring



# Brake Lathe Repair Parts

SVI RELS #	For OEM	Ref #	Description	SVI RELS #	For OEM	Ref #	Description
BL-11330	Ammco®*	925793 25793	External Retaining Ring	BL-11386	Ammco®*	926510 26510	Gib Toolholder
BL-11331	Ammco®*	9257942GP	Nut	BL-11387	Ammco®*	926510 26510	Carriage Gib
BL-11332	Ammco®*	925796GP	Stud	BL-11388	Ammco®*	926515 26515	Feed Shaft
BL-11333	Ammco®*	925797GP	Spacer	BL-11389	Ammco®*	926516 26516	Leadscrew
BL-11334	Ammco®*	925798GP	Idler	BL-11390	Ammco®*	926518 26518	Bearing
BL-11335	Ammco®*	925799GP	Pulley	BL-11391	Ammco®*	926520BL	Blue Dial
BL-11336	Ammco®*	925801 25801	Sleeve	BL-11392	Ammco®*	926520RD	Red Dial
BL-11337	Ammco®*	925802 25802	Shaft	BL-11393	Ammco®*	926521 26521	Dial
BL-11338	Ammco®*	925803 25803	Shaft	BL-11394	Ammco®*	926522 26522	Washer
BL-11339	Ammco®*	925804GP	Gear	BL-11395	Ammco®*	926523 26523	Pinion
BL-11340	Ammco®*	9258072GP	Washer	BL-11396	Ammco®*	926524 26524	Leadscrew
BL-11341	Ammco®*	925810 25810	Screw	BL-11397	Ammco®*	926525 26525	Coupler
BL-11342	Ammco®*	925812GP	Motor Cord	BL-11398	Ammco®*	926526 26526	Leadscrew
BL-11343	Ammco®*	925813GP	Power Cord	BL-11399	Ammco®*	926527 26527	Coupler
BL-11344	Ammco®*	925814 25814	Wire	BL-11400	Ammco®*	926528 26528	Miter
BL-11345	Ammco®*	925822GP	Black Wire	BL-11401	Ammco®*	926529 26529	Shaft
BL-11346	Ammco®*	925837GP	Knob	BL-11402	Ammco®*	926530 26530	Motor
BL-11347	Ammco®*	925843 25843	Decal	BL-11403	Ammco®*	926531 26531	Mainframe
BL-11348	Ammco®*	925856 25856	Retainer	BL-11404	Ammco®*	926534 26534	Cover
BL-11349	Ammco®*	925857 25857	External Retaining Ring	BL-11405	Ammco®*	926535 26535	Carriage Assembly
BL-11350	Ammco®*	925873 25873	Fastener	BL-11406	Ammco®*	926536 26536	Gear Rack Assembly
BL-11351	Ammco®*	925912GP	Belt Guard	BL-11407	Ammco®*	926537 26537	Bracket
BL-11352	Ammco®*	925913 25913	Stud	BL-11408	Ammco®*	926538 26538	Wiper
BL-11353	Ammco®*	925941SP1	Decal in Spanish	BL-11409	Ammco®*	926539 26539	Cord
BL-11354	Ammco®*	925982K	Tool Bar Support	BL-11410	Ammco®*	926541 26541	Screw
BL-11355	Ammco®*	926002 26002	Rivet	BL-11411	Ammco®*	926542 26542	Left Hand Shield
BL-11356	Ammco®*	926017 26017	Friction Disc Assembly	BL-11412	Ammco®*	926543 26543	Right Hand Shield
BL-11357	Ammco®*	9260182P	Clamp	BL-11413	Ammco®*	926544 26544	Knob
BL-11358	Ammco®*	926032 26032	Shaft	BL-11414	Ammco®*	926546 26546	Set Screw
BL-11359	Ammco®*	926033 26033	Driver	BL-11415	Ammco®*	926548 26548	Screw
BL-11360	Ammco®*	926034 26034	Flex Shaft & Driver	BL-11416	Ammco®*	926555 26555	Rod
BL-11361	Ammco®*	926035 26035	Body	BL-11417	Ammco®*	926582 26582	Ring
BL-11362	Ammco®*	9260392	Printer with Power Cord	BL-11418	Ammco®*	926583 26583	Centering Cone
BL-11363	Ammco®*	926056 26056	Clip	BL-11419	Ammco®*	926584 26584	Hex Nut
BL-11364	Ammco®*	926057 26057	Washer	BL-11420	Ammco®*	926586 26586	Hubless Adapter
BL-11365	Ammco®*	926202 26202	Nameplate	BL-11421	Ammco®*	926587 26587	Clamping Plate
BL-11366	Ammco®*	926203 26203	Retaining Ring	BL-11422	Ammco®*	926588 26588	Clamping Plate
BL-11367	Ammco®*	926206 26206	Electric Cord	BL-11423	Ammco®*	926649 26649	Tray
BL-11368	Ammco®*	926207 26207	Electric Cord	BL-11424	Ammco®*	926698 26698	Pad
BL-11369	Ammco®*	926208 26208	Electric Cord	BL-11425	Ammco®*	926699 26699	Tray
BL-11370	Ammco®*	926211 26211	Rcpt Flanged Female	BL-11426	Ammco®*	926700 26700	Pinion
BL-11371	Ammco®*	926212 26212	Rcpt Flanged Inlet	BL-11427	Ammco®*	926701 26701	Spacer
BL-11372	Ammco®*	926213 26213	Cover	BL-11428	Ammco®*	926702 26702	Bearing
BL-11373	Ammco®*	926215 26215	Plate	BL-11429	Ammco®*	926703 26703	Retaining Ring
BL-11374	Ammco®*	9263211 263211	Fan	BL-11430	Ammco®*	926704 26704	Driver
BL-11375	Ammco®*	926321GP	Motor	BL-11431	Ammco®*	926722 26722	Screw
BL-11376	Ammco®*	926322GP	Motor	BL-11432	Ammco®*	927050 27050	Seal Kit
BL-11377	Ammco®*	926368 26368	Adapter	BL-11433	Ammco®*	927059 27059	Switch Set Screw
BL-11378	Ammco®*	926391 26391	Grease	BL-11434	Ammco®*	927061 27061	Base
BL-11379	Ammco®*	926444 26444	Box	BL-11435	Ammco®*	927062 27062	Upright
BL-11380	Ammco®*	926445 26445	Box	BL-11436	Ammco®*	927069 27069	Shaft
BL-11381	Ammco®*	926505 26505	Support	BL-11437	Ammco®*	927071 27071	Screw
BL-11382	Ammco®*	926506BL	Blue Toolholder	BL-11438	Ammco®*	927072 27072	Switch
BL-11383	Ammco®*	926506RD	Red Toolholder	BL-11439	Ammco®*	927076 27076	Screw
BL-11384	Ammco®*	926507 26507	End Plate	BL-11440	Ammco®*	927081 27081	Motor
BL-11385	Ammco®*	926509 26509	Pinion	BL-11441	Ammco®*	927082 27082	Motor

## Brake Lathe Repair Parts

SVI RELS #	For OEM	Ref #	Description
BL-11442	Ammco®*	9270831R	Reducer
BL-11443	Ammco®*	927085 27085	Front Panel
BL-11444	Ammco®*	92708601	Blue Mounting Bolt
BL-11445	Ammco®*	92708602	Yellow Mounting Bolt
BL-11446	Ammco®*	92708603	Mounting Bolt
BL-11447	Ammco®*	92708604	Orange Mounting Bolt
BL-11448	Ammco®*	92708901	Adapter
BL-11449	Ammco®*	92708902	Adapter
BL-11450	Ammco®*	92708903	Adapter
BL-11451	Ammco®*	92708904	Adapter
BL-11452	Ammco®*	92708905	Adapter
BL-11453	Ammco®*	927102 27102	Bearing
BL-11454	Ammco®*	927107 27107	Microswitch
BL-11455	Ammco®*	927108 27108	Stop
BL-11456	Ammco®*	927109 27109	Switch
BL-11457	Ammco®*	927110 27110	Screw
BL-11458	Ammco®*	927111 27111	Spring
BL-11459	Ammco®*	927112 27112	External Retaining Ring
BL-11460	Ammco®*	927114 27114	Wire
BL-11461	Ammco®*	927115 27115	Rivet
BL-11462	Ammco®*	927118 27118	Right Hand Toolholder
BL-11463	Ammco®*	927119 27119	Left Hand Toolholder
BL-11464	Ammco®*	927121 27121	Motor
BL-11465	Ammco®*	927123 27123	Power Cord
BL-11466	Ammco®*	927124 27124	Guard
BL-11467	Ammco®*	927128 27128	Hex Head Capscrew
BL-11468	Ammco®*	927137 27137	Ring
BL-11469	Ammco®*	927159 27159	Plate
BL-11470	Ammco®*	927164 27164	Circuit Breaker
BL-11471	Ammco®*	927166 27166	Caster
BL-11472	Ammco®*	927179 27179	Power Cord
BL-11473	Ammco®*	927182 27182	Jumper
BL-11474	Ammco®*	927183 27183	Screw
BL-11475	Ammco®*	927185 27185	Knob
BL-11476	Ammco®*	927199 27199	Encoder
BL-11477	Ammco®*	927200 27200	Clinometer
BL-11478	Ammco®*	927212 27212	Washer
BL-11479	Ammco®*	927221 27221	Leg
BL-11480	Ammco®*	927232 27232	Kit
BL-11481	Ammco®*	927241 27241	Bearing
BL-11482	Ammco®*	927243 27243	Safety Shield Assembly
BL-11483	Ammco®*	927246 27246	Hook
BL-11484	Ammco®*	927249 27249	Plate
BL-11485	Ammco®*	927250 27250	Plate
BL-11486	Ammco®*	927251 27251	Front Cord
BL-11487	Ammco®*	927252 27252	Side Cord
BL-11488	Ammco®*	927258 27258	Wire Nut
BL-11489	Ammco®*	927272 27272	Cable
BL-11490	Ammco®*	927276 27276	Nameplate
BL-11491	Ammco®*	927277 27277	Locknut
BL-11492	Ammco®*	927283 27283	Retaining Ring
BL-11493	Ammco®*	927295 27295	Lever
BL-11494	Ammco®*	927296 27296	Piston
BL-11495	Ammco®*	927297 27297	Piston
BL-11496	Ammco®*	927298 27298	Piston
BL-11497	Ammco®*	927299 27299	Button

SVI RELS #	For OEM	Ref #	Description
BL-11498	Ammco®*	927300 27300	Clamp
BL-11499	Ammco®*	927301 27301	Rod
BL-11500	Ammco®*	927302 27302	Cable
BL-11501	Ammco®*	927306 27306	Weight
BL-11502	Ammco®*	927324 27324	Clamp
BL-11503	Ammco®*	927329 27329	Drive
BL-11504	Ammco®*	927333 27333	Keyboard
BL-11505	Ammco®*	927344 27344	Assembly
BL-11506	Ammco®*	927365 27365	Circuit Breaker
BL-11507	Ammco®*	927366 27366	Warning Label
BL-11508	Ammco®*	927369 27369	Tube
BL-11509	Ammco®*	927375 27375	Jumper
BL-11510	Ammco®*	927376 27376	Plate
BL-11511	Ammco®*	927377 27377	Plate
BL-11512	Ammco®*	927378 27378	Cover Plate
BL-11513	Ammco®*	927388 27388	Bracket
BL-11514	Ammco®*	927388FD	Bracket
BL-11515	Ammco®*	927395 27395	Keyboard
BL-11516	Ammco®*	327396 27396	Power Cord
BL-11517	Ammco®*	327399 27399	Coverplate
BL-11518	Ammco®*	927411 27411	Screw
BL-11519	Ammco®*	927423 27423	Motor Bracket
BL-11520	Ammco®*	927451 27451	Cord
BL-11521	Ammco®*	927537 27537	Shaft
BL-11522	Ammco®*	927541 27541	Lockpin
BL-11523	Ammco®*	927546 27546	External Retaining Ring
BL-11524	Ammco®*	927576 27576	Bracket
BL-11525	Ammco®*	927580 27580	Nut
BL-11526	Ammco®*	927584 27584	O-ring
BL-11527	Ammco®*	927585 27585	Guard
BL-11528	Ammco®*	927618 27618	Logo
BL-11529	Ammco®*	927619 27619	Blocks
BL-11530	Ammco®*	627620 27620	Blocks
BL-11531	Ammco®*	927822 27822	Service Kit
BL-11532	Ammco®*	927824 27824	Bar
BL-11533	Ammco®*	927825 27825	Bar
BL-11534	Ammco®*	927859 27859	LCD
BL-11535	Ammco®*	927866 27866	
BL-11536	Ammco®*	927871 27871	Replacement Kit
BL-11537	Ammco®*	927878 27878	Flange
BL-11538	Ammco®*	927909 27909	Socket
BL-11539	Ammco®*	927913 27913	Cable
BL-11540	Ammco®*	927914 27914	Cable
BL-11541	Ammco®*	9279491	Backing Strip
BL-11542	Ammco®*	927972 27972	Circuit Breaker
BL-11543	Ammco®*	927989 27989	Power Cord
BL-11544	Ammco®*	927993 27993	Power Supply
BL-11545	Ammco®*	927997 27997	Template
BL-11546	Ammco®*	928149 28149	Handle
BL-11547	Ammco®*	928176 28176	Terminal Block Assembly
BL-11548	Ammco®*	928203 28203	Lug
BL-11549	Ammco®*	928209 28209	Frame
BL-11550	Ammco®*	928218 28218	Screw
BL-11551	Ammco®*	928220 28220	Fastener
BL-11552	Ammco®*	928383 28383	Groove Pin
BL-11553	Ammco®*	928422 28422	Holder

# Brake Lathe Repair Parts

SVI RELS #	For OEM	Ref #	Description	SVI RELS #	For OEM	Ref #	Description		
BL-11554	Ammco®*	928428	28428	Holder	BL-11610	Ammco®*	929195	29195	Spring
BL-11555	Ammco®*	928430	28430	Screw	BL-11611	Ammco®*	929196	29196	Brass Plug
BL-11556	Ammco®*	928467	28467	Detector	BL-11612	Ammco®*	9292001	292001	Mainframe
BL-11557	Ammco®*	928468	28468	Detector	BL-11613	Ammco®*	929225GP		Lamp
BL-11558	Ammco®*	928470	28470	Power Board	BL-11614	Ammco®*	929226	29226	Steel Pin
BL-11559	Ammco®*	928499	28499	Bolt	BL-11615	Ammco®*	9292331	292331	Feed Motor Fan
BL-11560	Ammco®*	928509	28509	Screw	BL-11616	Ammco®*	929270	29270	Bolt
BL-11561	Ammco®*	928519	28519	Assembly	BL-11617	Ammco®*	929275	29275	Chip Guard Assembly
BL-11562	Ammco®*	928527	28527	Assembly	BL-11618	Ammco®*	929277	29277	Cable
BL-11563	Ammco®*	928553	28553	Black Wire	BL-11619	Ammco®*	929286	29286	Centering Ring
BL-11564	Ammco®*	928554	28554	White Wire	BL-11620	Ammco®*	929288	28288	Spanner Wrench
BL-11565	Ammco®*	9285722	285722	Housing	BL-11621	Ammco®*	929297	29297	Motor
BL-11566	Ammco®*	9285723	285723	Twin Cutter Housing	BL-11622	Ammco®*	929298	29298	Motor
BL-11567	Ammco®*	928584	28584	Twin Cutter Brass Spacer	BL-11623	Ammco®*	929313	29313	Sheave
BL-11568	Ammco®*	928595	28595	Wire Connector	BL-11624	Ammco®*	929314	29314	Washer
BL-11569	Ammco®*	928596	28596	Washer	BL-11625	Ammco®*	929325	29325	Motor
BL-11570	Ammco®*	928670	28670	T-Bar Assembly	BL-11626	Ammco®*	929326	29326	Rod
BL-11571	Ammco®*	928671	28671	Bar	BL-11627	Ammco®*	929358	29358	Hex Head Capscrew
BL-11572	Ammco®*	928672	28672	Stand	BL-11628	Ammco®*	9293611	293611	Nut for 11/16" arbor
BL-11573	Ammco®*	928673	28673	Bolt	BL-11629	Ammco®*	9293612	293612	Nut for 1" Arbor
BL-11574	Ammco®*	928675	28675	Prism	BL-11630	Ammco®*	929406	29406	Leg
BL-11575	Ammco®*	928676	28676	Prism	BL-11631	Ammco®*	929407	29407	Clamp
BL-11576	Ammco®*	928677	28677	Prism	BL-11632	Ammco®*	929425	29425	Leg
BL-11577	Ammco®*	928678	28678	Prism	BL-11633	Ammco®*	929494	29494	Extension
BL-11578	Ammco®*	928679	28679	Holder	BL-11634	Ammco®*	929495	29495	Bolt
BL-11579	Ammco®*	928680	28680	Holder	BL-11635	Ammco®*	929517	29517	Spacer
BL-11580	Ammco®*	928682	28682	Screw	BL-11636	Ammco®*	929541	29541	Bar
BL-11581	Ammco®*	9287071	287071	Mainframe	BL-11637	Ammco®*	929605	29605	Controller
BL-11582	Ammco®*	928748	28748	S-Clip	BL-11638	Ammco®*	929609	29609	Power Supply
BL-11583	Ammco®*	928752	28752	Head Assembly	BL-11639	Ammco®*	929610	29610	Hard Drive
BL-11584	Ammco®*	928769	28769	Adapter Kit	BL-11642	Ammco®*	929621	29621	Cord
BL-11585	Ammco®*	928786	28786	Accessory	BL-11643	Ammco®*	929625	29625	Power Cord
BL-11586	Ammco®*	928841	28841	Adapter Kit	BL-11644	Ammco®*	9296402	296402	Red Cover
BL-11587	Ammco®*	928883	28883	Center Gauge	BL-11645	Ammco®*	9296403	296403	Saturn Orange Cover
BL-11588	Ammco®*	928884	28884	Adapter Kit	BL-11647	Ammco®*	929735	29735	Screw
BL-11589	Ammco®*	928887	28887	Center Gauge	BL-11648	Ammco®*	929737	29737	Hex Locknut
BL-11590	Ammco®*	928897	28897	Washer	BL-11649	Ammco®*	929748	29748	Pop Rivet
BL-11591	Ammco®*	928898	28898	Rack	BL-11650	Ammco®*	929782	29782	Support Kit
BL-11592	Ammco®*	928910	28910	Screw	BL-11651	Ammco®*	929790	29790	Dial Indicator
BL-11593	Ammco®*	928911	28911	Screw	BL-11652	Ammco®*	929791	29791	Arm
BL-11594	Ammco®*	928914	28914	Adapter	BL-11653	Ammco®*	929792	29792	Tool
BL-11595	Ammco®*	928918	28918	Repair Fixture	BL-11654	Ammco®*	9298641	298641	Cover
BL-11596	Ammco®*	928932	28932	Left Hand Adapter	BL-11655	Ammco®*	929883	29883	Hinge
BL-11597	Ammco®*	928934	28934	Right Hand Adapter	BL-11656	Ammco®*	929892	29892	Top Bracket
BL-11598	Ammco®*	928961	28961	Capscrew	BL-11657	Ammco®*	929893	29893	Bottom Bracket
BL-11599	Ammco®*	928962	28962	Washer	BL-11658	Ammco®*	929894	29894	Fan
BL-11600	Ammco®*	928978	28978	Decal	BL-11659	Ammco®*	929898	29898	Socket Head Capscrew
BL-11601	Ammco®*	929018GP		Left Hand Toolholder	BL-11660	Ammco®*	929905	29905	Air Filter
BL-11602	Ammco®*	929022	29022	Bar	BL-11661	Ammco®*	929906	29906	Window
BL-11603	Ammco®*	929122	29122	Bar	BL-11663	Ammco®*	929969	29969	Board
BL-11604	Ammco®*	929149	29149	Screw	BL-11664	Ammco®*	929973	29973	Kit
BL-11605	Ammco®*	929164	29164	Tube	BL-11665	Ammco®*	929974	29974	Kit
BL-11606	Ammco®*	929170	29170	Gib	BL-11666	Ammco®*	929976	29976	Chip
BL-11607	Ammco®*	9291712	291712	Handwheel Assembly	BL-11667	Ammco®*	929977	29977	Tool
BL-11608	Ammco®*	929176	29176	Plunger	BL-11668	Ammco®*	929980	29980	Kit
BL-11609	Ammco®*	929192	29192	Tube	BL-11669	Ammco®*	929981	29981	Warning Plate

## Brake Lathe Repair Parts

SVI RELS #	For OEM	Ref #	Description
BL-11670	Ammco®*	929999 29999	Bucket
BL-11671	Ammco®*	931491 31492	U-Cup
BL-11672	Ammco®*	940000 40000	Tube
BL-11673	Ammco®*	940002 40002	Fan
BL-11674	Ammco®*	94000201 4000201	Fan
BL-11675	Ammco®*	940027 40027	Angle
BL-11676	Ammco®*	94002801	Spacer Bracket
BL-11677	Ammco®*	94002802	Spacer Bracket
BL-11678	Ammco®*	940029 40029	Bushing
BL-11679	Ammco®*	940030 40030	Angle
BL-11680	Ammco®*	940044 40044	Switch Assembly
BL-11681	Ammco®*	940046	Pedal
BL-11682	Ammco®*	940050	Magnet
BL-11683	Ammco®*	940051	Relay
BL-11684	Ammco®*	940052	Strut
BL-11685	Ammco®*	940053	Stud
BL-11686	Ammco®*	9400551P	Blue Toolboard
BL-11687	Ammco®*	9400552P	Black Toolboard
BL-11688	Ammco®*	940055P	Toolboard
BL-11689	Ammco®*	9400561P	Blue Upright
BL-11690	Ammco®*	9400562P	Black Upright
BL-11691	Ammco®*	940056P	Upright
BL-11692	Ammco®*	940057	Shim
BL-11693	Ammco®*	940059	Toolboard
BL-11694	Ammco®*	940060	Fixed Caster
BL-11695	Ammco®*	940061	Swivel Caster
BL-11696	Ammco®*	940062	Leveler
BL-11697	Ammco®*	940082	Clamp
BL-11698	Ammco®*	940089	Power Cord
BL-11699	Ammco®*	940101	Fuse
BL-11700	Ammco®*	940118	Filter
BL-11701	Ammco®*	940120	Receptacle
BL-11702	Ammco®*	940121	Power Cord Assembly
BL-11703	Ammco®*	940124	Power Cord Assembly
BL-11704	Ammco®*	940125	Power Cord Assembly
BL-11705	Ammco®*	940130 40130	Shield
BL-11706	Ammco®*	940143	Pulley and Pin Kit
BL-11707	Ammco®*	9401461	Pulley and Pin Kit
BL-11708	Ammco®*	9401462	Pulley and Pin Kit
BL-11709	Ammco®*	940147FR1	Decal
BL-11710	Ammco®*	940147SP1	Decal
BL-11711	Ammco®*	940166	Warning Decal
BL-11712	Ammco®*	940167	Seal
BL-11713	Ammco®*	940210	Kit Upgrade
BL-11714	Ammco®*	940211	Bungee Cord
BL-11715	Ammco®*	940220	Switch Assembly
BL-11716	Ammco®*	940221	Plate
BL-11717	Ammco®*	940222	Computer
BL-11718	Ammco®*	9402811	Handwheel
BL-11719	Ammco®*	9403031	Cover
BL-11720	Ammco®*	9403032	Cover
BL-11721	Ammco®*	9403033	Cover
BL-11722	Ammco®*	9403034	Cover
BL-11723	Ammco®*	940348	Fan
BL-11724	Ammco®*	940350	Handle
BL-11725	Ammco®*	940351	Strap

SVI RELS #	For OEM	Ref #	Description
BL-11726	Ammco®*	940381	Socket Head Capscrew
BL-11727	Ammco®*	940382	Lever
BL-11728	Ammco®*	940383	Motherboard
BL-11729	Ammco®*	940384	Computer
BL-11730	Ammco®*	940390	Lathe Assembly
BL-11731	Ammco®*	940402	Kit
BL-11732	Ammco®*	940404	Shaft
BL-11733	Ammco®*	940417	Shield
BL-11734	Ammco®*	940521	Plate
BL-11735	Ammco®*	9405301	Decal
BL-11736	Ammco®*	940533	Screw
BL-11737	Ammco®*	940538	Pulley
BL-11738	Ammco®*	940544	Hardware
BL-11739	Ammco®*	9405801	PCB
BL-11740	Ammco®*	9406271	Stand
BL-11741	Ammco®*	9406281	Bar
BL-11742	Ammco®*	9406381	Base
BL-11743	Ammco®*	9406453	PCB
BL-11744	Ammco®*	940658	Filter
BL-11745	Ammco®*	9407001	Lathe Assembly
BL-11746	Ammco®*	940701	Shaft
BL-11747	Ammco®*	9407121	Limit Switch
BL-11748	Ammco®*	940728	PCB
BL-11749	Ammco®*	9407311	Cylinder
BL-11750	Ammco®*	9407641	Box
BL-11751	Ammco®*	9407841	Tray
BL-11752	Ammco®*	9408211	Limit Switch
BL-11753	Ammco®*	9408421	Swivel Caster
BL-11754	Ammco®*	9408681	Circuit Breaker
BL-11755	Ammco®*	940922	Plate
BL-11756	Ammco®*	940923	Plate
BL-11757	Ammco®*	940924	Plate
BL-11758	Ammco®*	940925	Tool
BL-11759	Ammco®*	940926	Jaws
BL-11760	Ammco®*	940927	Jaws
BL-11761	Ammco®*	9409611	Indicator
BL-11762	Ammco®*	9409791	Target
BL-11763	Ammco®*	940986	Tube
BL-11764	Ammco®*	940987	Shaft
BL-11765	Ammco®*	9409881	Wire
BL-11766	Ammco®*	940990	Screw
BL-11767	Ammco®*	940991	Plate
BL-11768	Ammco®*	940996	Plate
BL-11769	Ammco®*	940997	Lever
BL-11770	Ammco®*	940998	Shaft
BL-11771	Ammco®*	940999	Handle
BL-11772	Ammco®*	941000	Tube
BL-11773	Ammco®*	941001	Pin
BL-11774	Ammco®*	941002	Feedscrew
BL-11775	Ammco®*	941003	Nut
BL-11776	Ammco®*	941004	Cam
BL-11777	Ammco®*	941005	Cover
BL-11778	Ammco®*	941006	Chain & Sprocket
BL-11779	Ammco®*	941007	Ram
BL-11780	Ammco®*	941008	Gearbox Cover
BL-11781	Ammco®*	941009	Plate

# Brake Lathe Repair Parts

SVI RELS #	For OEM	Ref #	Description	SVI RELS #	For OEM	Ref #	Description
BL-11782	Ammco®*	941010	Knob	BL-11842	Ammco®*	9412301	Cover
BL-11783	Ammco®*	941011	Wedge	BL-11843	Ammco®*	941240 41240	Shield
BL-11784	Ammco®*	941012	Gib	BL-11844	Ammco®*	941244GP	Plug
BL-11785	Ammco®*	941013	Holder	BL-11845	Ammco®*	941247GP	Cup
BL-11786	Ammco®*	941014	Switch	BL-11846	Ammco®*	941255 41255	Valve
BL-11787	Ammco®*	941015	Worm Drive	BL-11850	Ammco®*	941391 41391	Lower & Upper Rear Clamp
BL-11788	Ammco®*	941016	Plug	BL-11856	Ammco®*	95000013	Filter
BL-11789	Ammco®*	941017	Spindle	BL-11857	Ammco®*	906716 6716	Screw
BL-11790	Ammco®*	941018	Handwheel	BL-11858	Ammco®*	910276 10276	Spring
BL-11791	Ammco®*	941019	Cover	BL-20082	RELS/Ammco®*	9922ext 10477	Double Tapered Collet 1.362" x 1.710"
BL-11792	Ammco®*	941020	Clutch	BL-20083	RELS/Ammco®*	925939	11/16" Arbor Nut - Right Thread
BL-11793	Ammco®*	941021	Slide	BL-20085	Ammco®*	9599 9599	Special Truck Adapter Set 3-7/8" to 6-3/16"
BL-11794	Ammco®*	941022	Mounting Bracket	RM-40622	Ammco®*	929727	Centering Cone 5.125 x 5.50"
BL-11795	Ammco®*	941023	Lever	BL-20088	Ammco®*	900003 3C	Adapter Kit for Cars & Lt. Trucks
BL-11796	Ammco®*	941024	Coupling	BL-20089	RELS	10440	Truck Cone Set of 2
BL-11797	Ammco®*	941025	Motor	BL-20090	RELS	10440A	Truck Cone Small
BL-11798	Ammco®*	941026	Guard	BL-20091	RELS	10440B	Truck Cone Large
BL-11799	Ammco®*	941027	Adapter	BL-20099	Ammco®*	929935 908528	Repair Kit (lens)
BL-11800	Ammco®*	941028	Drawbar with Knob	BL-20101	All Tool/Perf.	5511 8511	Light & Medium 5 pc Truck Adapter Set
BL-11801	Ammco®*	941029	Shaft	BL-20102	Accuturn	436054	Lt & Med Truck 6 pc Adapter Set (1" Bore)
BL-11802	Ammco®*	941030	Bracket	BL-20103	Ammco®*	902160 2160	Ford Probe Adapter
BL-11803	Ammco®*	941031	On/Off Switch	BL-20104	Ammco®*	902168 2168	Ramcharger Adapter
BL-11804	Ammco®*	941032	Connector	BL-20105	Ammco®*	902580 2580	Mazda Adapter- Drums w/out center hole
BL-11805	Ammco®*	941033	Front Cover	BL-20106	Ammco®*	905795 5795	1" Splined Hub Adapter Set
BL-11806	Ammco®*	941034	Harness	BL-20107	Ammco®*	909263 9263	1" Hubless Adapter 4.5" OD
BL-11807	Ammco®*	941035	Harness	BL-20108	Ammco®*	909265 9265	1" Hubless Adapter 5.625" OD
BL-11808	Ammco®*	941036	Mil Box	BL-20109	Ammco®*	925811 25811	Arbor Nut - use w/BL-10357 arbor
BL-11809	Ammco®*	941037	Knob	BL-20110	Ammco®*	909437 9437	Arbor (100 lb cap.)
BL-11810	Ammco®*	9410411	Oil Seal	BL-20111	Ammco®*	904362 4362	Adapter Set
BL-11811	Ammco®*	941043GP	Circuit Breaker	BL-20112	Ammco®*	904368 4368	Adapter Set
BL-11812	Ammco®*	941049	Wrench	BL-20113	Ammco®*	905750 5750	Adapter Set
BL-11813	Ammco®*	941057GP Bar		BL-20114	Ammco®*	925841 25841	Adapter Set
BL-11814	Ammco®*	941058	Right Hand Toolholder	BL-20115	Ammco®*	929753 29753	Adapter Set
BL-11815	Ammco®*	941059	Left Hand Toolholder	BL-20116	Ammco®*	903900 3900	Adapter Set (1) BL-20019, (1) BL-20020
BL-11816	Ammco®*	941060	Oil	BL-20117	Ammco®*	904775 4775	Adapter Set
BL-11817	Ammco®*	941063	Indicator	BL-20118	Ammco®*	908994 8994	Adapter Set
BL-11821	Ammco®*	941128GP	Black Knob	BL-20121	Ammco®*	903198 3198	Arbor-Truck, 1-7/8"
BL-11823	Ammco®*	941152GP	Short Shaft	BL-20122	Ammco®*	903460 3460	Arbor Nut 1-7/8"
BL-11824	Ammco®*	941153GP	Long Shaft	BL-20123	Ammco®*	905722 5722	Arbor Nut Wrench 1-7/8"
BL-11825	Ammco®*	941154GP	Coupler	BL-20124	Ammco®*	905748 5748	Arbor Truck 1-7/8" (plus BL-20122 nut)
BL-11826	Ammco®*	941155GP	Race	BL-20125	Ammco®*	925844 25844	Arbor Nut 1-7/8" - Use with BL-20126
BL-11827	Ammco®*	941156GP	Shield	BL-20126	Ammco®*	925845 25845	Arbor 1-7/8"
BL-11828	Ammco®*	941157GP	Decal	BL-20127	Ammco®*	925874 25874	1-7/8" Arbor set
BL-11829	Ammco®*	941158GP	Seal	BL-20128	Ammco®*	901081 1081	1-7/8" Arbor set
BL-11830	Ammco®*	941159GP	Front Seal	BL-20129	Ammco®*	903481 3481	1-7/8" Arbor set
BL-11831	Ammco®*	941160GP	Front Bearing	BL-20130	Ammco®*	903491 3491	1-7/8" Arbor set
BL-11832	Ammco®*	941161GP	Bearing	BL-20131	Ammco®*	905746 5746	11/16" Arbor
BL-11833	Ammco®*	941162GP	Pulley	BL-20132	Ammco®*	925831 25831	11/16" Arbor
BL-11834	Ammco®*	941163GP	Pulley				
BL-11835	Ammco®*	941164GP	Terminal Board				
BL-11836	Ammco®*	941165GP	Motor				
BL-11837	Ammco®*	941166GP	Screw				
BL-11838	Ammco®*	941170GP	Guard				
BL-11839	Ammco®*	941200 41200	Wiper				
BL-11840	Ammco®*	941207GP	Box				
BL-11841	Ammco®*	941213GP	Nut				

# Brake Lathe Repair Parts

SVI RELS #	For OEM	Ref #	Description
BL-20133	Ammco®*	928573 28573	11/16" Arbor
BL-20134	Ammco®*	902170 2170	Rear Drum Adapter for 11/16"
BL-20135	Ammco®*	901008 1008	11/16" Arbor Set
BL-20136	Ammco®*	909709 9709	11/16" Arbor Set
BL-20137	Ammco®*	909495 9495	11/16" Arbor Set
BL-20138	Ammco®*	905712 5712	Washer for 2-1/2"
BL-20139	Ammco®*	905713 5713	1" long spacer for 2-1/2" arbor
BL-20140	Ammco®*	905714 5714	2" long spacer for 2-1/2" arbor
BL-20141	Ammco®*	905715 5715	3" long spacer for 2-1/2" arbor
BL-20142	Ammco®*	905716 5716	Centering Cone for 2-1/2" 2.936" x 4.078"
BL-20143	Ammco®*	905717 5717	Centering Cone for 2-1/2" 3.936" x 5.063"
BL-20144	Ammco®*	905718 5718	Centering Cone for 2-1/2" 4.936" x 6.063"
BL-20145	Ammco®*	905749 5749	Arbor
BL-20146	Ammco®*	905710 5710	2-1/2" Arbor set
BL-20147	Ammco®*	927077 27077	Double Ended Wrench
BL-20148	FMC/John Bean	90043	1" Arbor
BL-20149	RELS		Rotor Adapter for Ford F-150, 2WD
BL-20150	FMC/John Bean	90318	Metric Disc / Rotor Micrometer
BL-20151	FMC/John Bean	90621	Centering Cone 3-5/8" - 5-1/8"
BL-20152	FMC/John Bean	90622	Centering Cone 5" - 6-1/8"
BL-20153	FMC/John Bean	90667	Drum Feed Screw
BL-20154	FMC/John Bean	90968	Jeep Cherokee/Eagle Plate (Dbl sided)
BL-20155	FMC/John Bean	90986	Small Non-Ventilated Solid Rotor Silencer
BL-20156	FMC/John Bean	90987	Large Non-Ventilated Solid Rotor silencer
BL-20157	FMC/John Bean	90989	Univ Vent Rotor Silencer Non-adjustable
BL-20158	Hunter	58-134-2	Solid Magnetic Rotor Silencer Band
BL-20159	Hunter	97-422-2	1" Arbor
BL-20160	Kwikway	1252-18	Work Lamp
BL-20161	Kwikway	101-0637-04	1-7/8" to 1" step down adapter
BL-20162	Kwikway	060-1130-10	T-bar Assembly
RM-25110	Van Norm.	125110	Hubless Spanner Wrench
BL-20165	Van Norm.	201022	Hubless Locking Nut
BL-20166	Van Norm.	415177	Hubless Locator
BL-20167	Van Norm.	415185	Hubless Cone
BL-20168	Van Norm.	415186	Hubless Spacer
BL-20169	Perfect/RJ West	BDL 251	Work Lamp
BL-20172	Perfect/RJ West	W 100	1-1/2" Spacer
BL-20173	Van Norm.	803027	Work Lamp
BL-20174	Van Norm.	863185	Backing Plate for Passenger Cars
BL-20175	Van Norm.	863186 863187	Double Sided Plate for Chrysler, GM, Ford
BL-20176	Van Norm.	863188	Backing Plate for GM Chevy 1500 & Lt trucks
BL-20177	Van Norm.	863189	Adapter Plate for GM 1500 & Lt Trucks
BL-20178	Hunter	99-109-1	Worm & Bearing Assembly
BL-20179	Accuturn	1A2169	Spring
BL-20180	Accuturn	408373	Check Ball

SVI RELS #	For OEM	Ref #	Description
RM-11488V	Hunter	175-188-2	Weighted Silencer Band
BL-20182	Hunter	2216263	Micro Round Bits (10 pk)
BL-20183	Ammco®*	909311 49311	Adapter Set
BL-20184	Ammco®*	908560 8560	Stone Set 1-3/8"-2" 220 grit 2 stones, 2 felts
BL-20185	Ammco®*	908588 8588	Stone Set-1-3/8"-2" 60 grit 2 stones, 2 felts
BL-20186	Ammco®*	903933 3933	Stone Set 320 grit 2 stones, 2 felts
BL-20187	Ammco®*	9085891 85891	Stone Set 60 grit, 2"-2-5/8" 2 stones, 2 felts
BL-20188	Ammco®*	928151 28151	Spacer
BL-20189	Ammco®*	928152 28152	Retaining Ring
BL-20191	Ammco®*	908500H	Brake Drum Micrometer, Inches
BL-20192	RELS/Ammco®*	907755 42706	Gear Shift Assy.
BL-20193	Ammco®*	908750 8750	Swirl Tool Assembly
BL-20211	Hunter	337L	Tool Holder LH
BL-20212	Hunter	337R	Tool Holder RH
BL-30017	RELS/Snap-On	42365 BTK-10A	Positive Rake Bit for Rels 504 series
BL-30017-10	RELS/Snap-On	42365-10 BTK-10A	Positive Rake Bit for Rels 504 series (10 pk)
RM-45518-10	Accuturn	433796	Pos Rake Bit, 10 pack
BL-30020-5	Accuturn	433795	Pos Rake Bit, 5 pack
BL-30020P	Accuturn	433796P	Pos Rake Bit, 10 pack, Premium Grade
BL-30021	Accuturn	878051 878052	Positive Rake Bit for 8750 & 8800
BL-30022	FMC/John Bean	91212	Positive Rake Bit for 505 On-the-Car Lathe
BL-30026	Ammco®*	907692 7692	Tool bit holder for 9831
BL-30028	RELS/Ammco®*	909695 9695	Tool Bit Holder-brazed on bit, 5/8" shank
BL-30029	Ammco®*	904114 4114	Tool bit holder- Brazed on carbide bit
BL-30030	Ammco®*	904118 4118	Tool bit holder w/ brazed on carbide bit
BL-30031	Ammco®*	904724 4724	Tool bit holder w/ brazed on carbide bit
BL-30032	Ammco®*	904725 4725	Tool bit holder w/ brazed on carbide bit
BL-30033	Ammco®*	904726 4726	Tool bit holder w/ brazed on carbide bit
BL-30044	John Bean/FMC	90487 9048	Positive Rake Bit, Pack of 10
BL-30055	FMC	8025720	Insert Nut
BL-30061	Accuturn	433994	4 oz Grease
RM-11488V	John Bean/FMC	920022 90984	Weighted Silencer Band
BL-30063	Ammco®*	902760 2760	Micrometer
BL-30064	Ammco®*	909582 9582	Checking Gage
BL-30065	Ammco®*	9069186	10 Pack Bits
BL-30066	John Bean/RELS	90578	Spanner Wrench
BL-30067	John Bean/RELS	00091286000	Spanner Wrench
BL-31004	RELS/Ammco®*	6921 29349	6.5" Rubber Silencer Band
BL-31004-2	RELS/Ammco®*	6921 906921	Pkg of 2 6.5" Rubber Silencer Band
BL-31005	RELS/Ammco®*	6922 906922	9.25" Pass Car Drum Silencer Band
BL-31005-2	RELS/Ammco®*	6922 11493	Pkg of 2, 9.25" Pass Car

# Brake Lathe Repair Parts

SVI RELS #	For OEM	Ref #	Description	SVI RELS #	For OEM	Ref #	Description
			Drum Silencer Band				Convex & Concave
BL-31010	Ammco®*	901075 1075	Friction Rotor Silencer	BL-40045	Accuturn	433750	Twin Cutter
BL-31011	Ammco®*	900003	1" Arbor Assembly	BL-40046	Accuturn	433172	Boring Bar Assembly for 8944
BL-40000	Accuturn	433735	Way Cover	BL-40047	Accuturn	436116	Variable Speed Gear Motor
BL-40001	Accuturn	433156	Rotor Feed Screw	BL-40048	Accuturn	436115	Variable Speed Controller
BL-40002	Accuturn	433157	Drum Feed Screw	BL-45000-10	Accuturn	32-1040	Cutting Bits for Accuturn / FMC (10 pk)
BL-40003	Accuturn	433633	T-Bolt	BL-46000	All Tool	5531	11/16" Arbor Kit
BL-40003A	Accuturn	433617	Nut for T-Bolt	BL-46001	All Tool	5542	1" Std Arbor
BL-40004	Accuturn	433646	Drum Feed Nut	BL-46003	All Tool	5595	Rotor Adapter
BL-40005	Accuturn	433647	Rotor Feed Nut	BL-46004	All Tool	5962	Composite Rotor Clamping Plate Set
BL-40007	Accuturn	433701	1" Arbor	BL-46005	All Tool	5973	Passenger Car Adapter Plates-Comp. Rtrs
BL-40008	Accuturn	436057	Hubless Rotor Adapter Set (4 pcs)	BL-46006	All Tool	5974	Hubless Adapter & Pass Car Plates
BL-40009	Accuturn	433174	Indicator Gauge	BL-46007	All Tool	5986	Centering Cone 3-5/8 - 5-1/8
BL-40010	Accuturn	433641	Feed Motor (includes fan)	BL-46009	All Tool	5711	Positive Rake Bit, 10 Pack
BL-40011	Accuturn	433673	Drive V-Belt	BL-46010	All Tool	5544	11/16" Arbor
BL-40012	Accuturn	433682	Way Cover Spacer	BL-46011	All Tool	777-2053-43	Belt for All Tool Model 777
BL-40013	Accuturn	433685	Work Lamp	BL-46012	All Tool	777-2053-44	Belt for All Tool Model 777
BL-40014	Accuturn	433693	Old Style Toggle Switch w/ Pigtails	BL-47000	Procut	50-703	Silencer
BL-40015	Accuturn	433704	4.25" Hubless Adapter Bell Clamp	BL-47001	Procut	50-742	Positive Rake Bit
BL-40017	Accuturn	433713	1" Std Arbor Nut	BL-47002	Procut	50-754	Silencer, Double Thick
BL-40018	Accuturn	433760	Adjust Screw for 433750 Twin Cutter	BL-50000	FMC	90070	Hex Drive Rod
BL-40019	Accuturn	433785	Large Ventilated Disc Rotor Silencer Band	BL-50001	FMC/John Bean	90071	Rotor Feed Screw
BL-40020	Accuturn	434060 73622	Disc / Rotor Mechanical Micrometer	BL-50002	FMC	90077	Rotor Feed Nut
RM-11485	Accuturn	434061	Large Solid Rotor Silencer Band	BL-50003	FMC	90067	Drum Feed Screw
BL-40022	Accuturn	434292	Centering Cone Set (1 cone, 1 washer)	BL-50004	FMC	1016845	Drum Feed Nut
BL-40023	Accuturn	434470	Small Vent. Disc Rotor Silencer Band (pk of 2)	BL-50005	FMC/John Bean	90043	1" Arbor
BL-40024	Accuturn	436259	Way Wiper kit for WC 433735 Cover Assy	BL-50006	FMC/John Bean	90318	Metric Disc / Rotor Micrometer
BL-40025	Accuturn	436367 73656	Drum Wear Limit Gauge-Pass Cars / Trucks	BL-50007	FMC/John Bean	90621	Centering Cone 3-5/8" - 5-1/8"
BL-40026	RELS	76345	Drum Wear Limit Gauge for Pass Cars	BL-50008	FMC/John Bean	90622	Centering Cone 5" - 6-1/8"
BL-40027	Accuturn	438054	Rotary Switch for Model 8944	BL-50009	FMC/John Bean	90667	Drum Feed Screw
BL-40028	Accuturn	433798	11/16" Arbor Assembly	BL-50010	FMC/John Bean	90968	Jeep Cherokee/Eagle Plate (Dbl sided)
BL-40029	Accuturn	417258	Screw	BL-50011	FMC/John Bean	90986	Small Non-ventilated Solid Rotor Silencer
BL-40030	Accuturn	433770	Spring for Twin Cutter	BL-50012	FMC/John Bean	90987	Large Non ventilated Solid Rotor silencer
BL-40031	Accuturn	433758	Pointer Rotor Truer	BL-50013	FMC/John Bean	90989	Univ Vent Rotor Silencer Non-adjustable
BL-40032	Accuturn	433688	Way Cover Screws	BL-50015	FMC/John Bean	90077	Cross Slide Feed Nut 600 series
BL-40033	Accuturn	433687	Way Cover Screws	BL-50016	FMC/John Bean	90073	Aluminum Cross Feed Cover series
BL-40034	Accuturn	433675	Cover	BL-50017	FMC/John Bean	8009610	Plastic Ball
BL-40035	Accuturn	433674	Vent Fitting	BL-50018	FMC/John Bean	90282	Button End
BL-40036	Accuturn	433649	Switch	BL-50019	FMC/John Bean	ST0001402	Valve O'Ring Seal
BL-40037	Accuturn	434384	Shifting Yoke	BL-50020	FMC/John Bean	1101834	Hose Clamp
BL-40038	Accuturn	433763	Right Hand Tool Holder	BL-50021	FMC/John Bean	1110180	Dowel Pin
BL-40039	Accuturn	433764	Left Hand Tool Holder	BL-50022	FMC/John Bean	6002488	Spring
BL-40040	Accuturn	433754	Base for Pointer	BL-50023	FMC/John Bean	8027227	Drive Belt
BL-40041	Accuturn	434738	Spring Washer	BL-50024	FMC/John Bean	7007631	Toggle Switch for 601
BL-40042	Accuturn	434141	Centering Cone 3.75-5.125	BL-50025	FMC/John Bean	ST4030044	Reversing Switch
BL-40043	Accuturn	460589	Centering Cone 4.50-5.50 1" Bore	BL-50026	FMC	66667	Hold Down Cone
BL-40044	Accuturn	433715	Arbor Washer Set (2 pc)	BL-50027	FMC	66794	O-Ring Seal

All names, numbers, symbols and descriptions are used for reference purposes only. It is not implied that any part listed is the product of these manufacturers.  
 \*AMMCO is a registered trademark of Hennessy Industries, Inc. SVI International, Inc. is not associated in any way with Hennessy Industries, Inc.

# Brake Lathe Repair Parts

SVI RELS #	For OEM	Ref #	Description	
BL-50028	FMC	66797	Rubber Piston	
BL-50029	FMC	90547	Arbor Nut for FMC 601	
BL-50030	FMC	5001535	Thrust Washer	
BL-50031	FMC	5001534	Needle Bearing	
BL-50032	FMC	5001536	Felt Washer	
BL-50033	FMC	1177647	Bronze Bearing	
BL-50034	FMC	1016824	Gear Spacer	
BL-50035	FMC	8027272	Wheel Shim	
BL-50036	FMC	8027258	Locking Element	
BL-50037	FMC	91382000	Left Handle Cutting Head	
BL-50038	Hofmann/FMC	CL101-1	Switch for 400 Series Brake Lathe	
BL-50039	Hofmann/FMC	CL587	Cross Slide Stop Screw	
BL-50040	Hofmann/FMC	W140-1	Tool Bit Holder	
BL-50041	Hofmann/FMC	CL156	Washer for Tool Holder	
BL-50042	Hofmann/FMC	CL527	Hex Nut	
BL-55000-10	FMC	32-1040	Cutting Bits for FMC	
BL-60000	Van Norman	204042	1" Arbor Set	
BL-60000-3	Van Norman	204042-EXT	1" Arbor (3" Longer)	
BL-60001	Van Norman	204240	Heat Treat Ground Washer for BL-60000	
BL-60002	Van Norman	865656	1" Arbor Only	
RM-11488V	Van Norman	111485	Weighted Silencer Band	
RM-44309	Van Norman	201022	Hubless Locking Nut	
BL-65004	Van Norman	415177	Hubless Locator	
BL-65005	Van Norman	415185	Hubless Cone	
BL-65006	Van Norman	415186	Hubless Spacer	
BL-65007	Van Norman	803027	Work Lamp	
BL-65008	Van Norman	863185	Backing Plate for Passenger Cars	
BL-65009	Van Norman	863186	863187	Double Sided Plate for Chrysler, GM, Ford
BL-65010	Van Norman	863188	Backing Plate for GM Chevy 1500& Lt trucks	
BL-65011	Van Norman	863189	Adapter Plate for GM 1500 & Lt Trucks	
RM-08246	Van Norman	804-8676-69	Belt	
RM-40583	Van Norman	804-1405-83	Belt	
BL-65014	Van Norman	804-1250-52	Belt	
BL-65015	Van Norman	869186	1" Arbor Only (3" Longer)	
BL-70000	Hofmann/RJW	CL538-1	1" Arbor	
BL-75000-04	Hofmann/RJW	722-83-4	407-4	Pos. Rake Carbide Bits (4pk)
BL-75000-06	Hofmann/RJW	722-83-4	407-6	Pos. Rake Carbide Bits (6pk)
BL-75000-10	Hofmann/RJW	722-83-4	407-10	Pos. Rake Carbide Bits (10pk)
BL-75001-06	Hofmann/RJW	DRL90	Neg. Rake Carbide Bits (6pk)	
BL-75001-10	Hofmann/RJW	DRL90	Neg. Rake Carbide Bits (10pk)	
BL-75002-06	Hofmann/RJW	W136	Neg. Rake Carbide Bits (6pk)	
BL-75002-10	Hofmann/RJW	W136	Neg. Rake Carbide Bits (10pk)	
BL-75004	Hofmann/RJW	BDL 251	Work Lamp	
BL-75005	Hofmann/RJW	W 100	1-1/2" Spacer	
BL-75006	Hofmann/RJW	CL616-4	4 Pole Toggle Switch	
BL-75007	Hofmann/RJW	CL670	Toggle Boot	
BL-75008	Hofmann/RJW	2200594	Gasket Set	
BL-75009	Hofmann/RJW	4205451	Inflator Valve	
BL-75010	Hofmann	1103	Silencer Tips	
RM-03836L	RELS	03836L	504 Tool Holder Left Hand	
RM-03836R	RELS	03836R	504 Tool Holder Right Hand	

SVI RELS #	For OEM	Ref #	Description	
RM-05134	RELS	05134	Woodruff Key (#7)	
RM-07711	RELS	07711	Oil Seal	
RM-08246	RELS	08246	Belt V 4L290	
RM-08247	RELS	08247	Belt	
RM-08447V	RELS	3026	08447V	Revolving Handle CL-4-RH
RM-08711	RELS	08711	Olite Bushing	
RM-10435	RELS	10435	6.75" Backing Plate	
RM-10436	RELS	10436	5.25" Backing Plate	
RM-10437	RELS	10437	7.40" Backing Plate, Truck	
RM-10438	RELS	10438	Small Composite Adapter	
RM-10439	RELS	10439	Large Composite Adapter	
RM-10440A	RELS	10440A	Centering Cone	
RM-10440B	RELS	10440B	Centering Cone	
RM-10476	RELS/Ammco®	9921	10476	Double Tapered Collet
		909921		1.322" x 1.670"
RM-11480	RELS	11480	Standard Silencer Kit	
RM-11482	RELS	11482	Solid Rotor Silencer Band	
RM-11484	RELS	11484	Silencer Band, Small Solid	
RM-11485	RELS	11485	Silencer Band, Large Solid	
RM-11486V	RELS/Ammco®	5280	11486V	1-3/4" Drum Silencer Band
RM-11487V	RELS/Ammco®	5290	11487V	2-3/4" Truck Drum Silencer Band
RM-11488N	RELS/Ammco®	6920	11488N	Weighted Silencer Band - Neoprene
RM-11488V	RELS/Ammco®	6920	11488V	Weighted Silencer Band - Vented
RM-11489V	RELS		11489V	Silencer Band for Vented Rotors 10-13"
RM-11490V	RELS		11490V	Silencer Band for Vented Rotors 6-9"
RM-11491V	RELS/Ammco®	1175	11491V	Clip On Silencer
RM-11492	RELS/Ammco®	6921	11492	Ring Rubber 6.50" 6921
RM-11492V	Pro-Cut			Pro-Cut Clip on Silencer On the Car
RM-11493	RELS/Ammco®	6922	11493	Ring Rubber 9.25" 6922
RM-11494	RELS/Ammco®	9800	11494V	Spring Silencer Band
RM-11497	RELS/Ammco®	7075	11497V	Friction Rotor Silencer
RM-11497-6	RELS		11497-6	Mounting Bracket for 7075
RM-11498V	Ammco®	906930	11498V	HD Silencer Band Assembly
RM-2000	RELS			RELS 2000 Brake Lathe & Cabinet - Standard
RM-2000XL	RELS			RELS 2000XL Brake Lathe & Cabinet - Heavy Duty
RM-20400122	Van Norman	20400122	Slide Feed Screw Nut	
RM-20400123	Van Norman	20400123	Feed Screw Assembly	
RM-20400132	Van Norman	20400132	Collar	
RM-20400269	Van Norman	20400269	Knurled Dial Model 204	
RM-20407	RELS	20407	Pos Rake Drum Tool Holder - 204S & 204C	
RM-20408021	Van Norman	20408021	Feed Screw Shaft	
RM-20500858	Van Norman	20500858	Block Model 204	
RM-24122	RELS	24122	Feed Nut	
RM-24123	RELS	24123	Feed Screw Assembly	
RM-24132	RELS	24132	Collar	
RM-24162	RELS	24162	Screw for Belt Idler	
RM-24176-10	Van Norman	24176-10	Drum Cutting Bits (10)	
RM-24176-2	Van Norman	24176-2	Drum Cutting Bits (2pk)	
RM-24176-6	Van Norman	24176-6	Drum Cutting Bits (6pk)	



# Brake Lathe Repair Parts

SVI RELS #	For OEM	Ref #	Description
RM-24176M	Van Norman	24176M	Drum Cutting Bit 204
RM-24209M	RELS	24209M 304	Drum Insert
RM-25052	RELS	25052	Belt Poly-V
RM-25110	Van Norman	125110 25110	Hubless Spanner Wrench
RM-29279	RELS	29279 29279V	Sandvik Tool Holder Clamp 204
RM-29349V	RELS	29349V	Rubber Ring 6.5" 6921
RM-29687-10	Van Norman	29687-10	Rotor Cutting Bits (10)
RM-29687-2	Van Norman	29687-2	Rotor Cutting Bits (2pk)
RM-29687-6	Van Norman	29687-6	Rotor Cutting Bits (6pk)
RM-29687M	Van Norman	29687M	Rotor Cutting Bit 204
RM-30407	RELS	30407	304 Tool Holder
RM-3836L	RELS	3836L	Pos Rake LH Tool Holder for 504 lathe
RM-3836R	RELS	3836R	Pos Rake RH Tool Holder for 504 lathe
RM-40001	RELS/Ammco®*	900237 237	Gear Box Capscrew
RM-40002	RELS/Ammco®*	909835 9835	Crossfeed, Drum
RM-40003	RELS/Ammco®*	903211-1 3211-1	Lead Screw Assembly
RM-40003L-2	RELS/Ammco®*	40003L-2	Lead Screw Spring Pin
RM-40004	RELS/Ammco®*	903017 3017	Boring Bar Upper Clamp
RM-40005	RELS/Ammco®*	920666 20666	Boring Bar Lower Clamp
RM-40006	RELS/Ammco®*	9030311 30311	Stud for Boring Bar
RM-40007	RELS/Ammco®*	911224 11224	Washer for Nut Assembly 11227
RM-40008	RELS/Ammco®*	911225 11225	Rubber Retainer
RM-40009	RELS/Ammco®*	900220 220	Pulley Set Screw
RM-40010	RELS/Ammco®*	902064 2064	Cross Feed Spring
RM-40010-30	RELS/Ammco®*	90206430 2064-30	Cross Feed Spring (30 pk)
RM-40011	RELS/Ammco®*	909836 9836	Brass Plug
RM-40011-30	RELS/Ammco®*	909836-x 9836-30	Brass Plug (30 pk)
RM-40012	RELS/Ammco®*	903142 3142	5/16" Brass Plug
RM-40012-50	RELS/Ammco®*	903142-50 3142-50	5/16" Brass Plug (50 pk)
RM-40013	RELS/Ammco®*	906854 6854	Red Knob
RM-40014	RELS/Ammco®*	909633 9633	Crossfeed Handwheel
RM-40014A	RELS/Ammco®*	909626 9626	Handwheel Assembly
RM-40014D	RELS	40014D	Drum Handwheel
RM-40015	RELS	40015	Handwheel Handle Silver
RM-40016	RELS/Ammco®*	909634 9634	Crossfeed Dial
RM-40017	RELS/Ammco®*	909611 9611	Dial Spring
RM-40018	RELS/Ammco®*	906839 6839	Handwheel Thumbscrew
RM-40019	RELS	40019	Thrust Washer
RM-40020	RELS/Ammco®*	903176 3176	Woodruff Key
RM-40021	RELS/Ammco®*	940142 40142	Large Serpentine Pulley
RM-40022	RELS/Ammco®*	940146 40146	Small Serpentine Pulley
RM-40024B	RELS	40024B	Bushing
RM-40025	RELS/Ammco®*	900209 206	Rear Flange SHCS 3/8-16 x 1"
RM-40026	RELS/Ammco®*	903153 3153	Spindle
RM-40026-1	RELS	40026-1	Spindle
RM-40027	RELS/Ammco®*	909831 9837	Spindle Key
RM-40028	RELS/Ammco®*	906486 6486	Spindle Socket Head Capscrew
RM-40029	RELS/Ammco®*	903224 3224	Spindle Set Screw
RM-40030	RELS/Ammco®*	903033 3033	Thrust Washer
RM-40030B	RELS	40030B	Thrust Washer
RM-40031	RELS/Ammco®*	9830 40031	Quill Gear 9830
RM-40031XL	RELS/Ammco®*	10216 40031XL	Extended Quill Gear 10216
RM-40031XL-2	RELS	40031XL-2	Screw and Washer

SVI RELS #	For OEM	Ref #	Description
RM-40032	RELS/Ammco®*	901602 1602	Motor Mount Capscrew
RM-40033	RELS/Ammco®*	903089 3089	Oil Seal Adapter Ring
RM-40034	RELS/Ammco®*	40034	Oiled Seal Spindle
RM-40035	RELS/Ammco®*	903393 3393	Drive Shaft Bearing
RM-40035A	RELS/Ammco®*	903394 3394	Drive Shaft Race
RM-40036	RELS/Ammco®*	903010 3010	Bearing Cap Seal
RM-40037	RELS/Ammco®*	903169 3169	Shim
RM-40037A	RELS/Ammco®*	903170 3170	Shim
RM-40037B	RELS/Ammco®*	903171 3171	Shim
RM-40038	RELS/Ammco®*	900236 236	Hex Head Capscrew
RM-40039	RELS/Ammco®*	903163 3163	Oil Seal
RM-40040	RELS/Ammco®*	909847 9847	Drive Shaft Worm Gear
RM-40040A	RELS	40040A	Worm Gear Spring Pin
RM-40041	RELS/Ammco®*	903159 3159	Snap Ring
RM-40042	RELS/Ammco®*	903166 3166	Plug
RM-40043	RELS/Ammco®*	922006 22006	Grease Fitting - New Style
RM-40044	RELS/Ammco®*	40044	Oil Gauge View
RM-40045	RELS/Ammco®*	903172 3172	Retaining Ring
RM-40046	RELS/Ammco®*	903372 3372	Oil Drian Pipe Plug
RM-40047	RELS/Ammco®*	903023 3023	Motor Mount Shaft
RM-40048	RELS/Ammco®*	906766 6766	Motor Mount O-Ring
RM-40049	RELS/Ammco®*	903223 3223	Motor Shaft Bushing
RM-40050	RELS/Ammco®*	902364 2364	Motor Mount Wave Washer
RM-40051	RELS/Ammco®*	903377 3377	Hex Nut
RM-40052	RELS/Ammco®*	902165 2165	1Hp Motor
RM-40052A	RELS/Ammco®*	90216501 40052A 216501	1Hp Motor and Motor Mount Bracket
RM-40053	RELS/Ammco®*	903009 3009	Motor Mount
RM-40054	RELS/Ammco®*	905689 5689	Square Head Set Screw 5689
RM-40054A	RELS/Ammco®*	909249 9249	Square Head Set Screw 9249
RM-40055	RELS/Ammco®*	901574 1574	Motor Mount Washer
RM-40056	RELS/Ammco®*	900283 283	Motor Mount Lockwasher
RM-40057	RELS/Ammco®*	906864 6864	Motor Mount Set Screw
RM-40058	RELS/Ammco®*	903015 3015	Belt Tension Lever
RM-40059	RELS/Ammco®*	903035 3035	Eccentric Belt Release Pin
RM-40060	RELS/Ammco®*	903180 3180	Belt Release Set Screw
RM-40061	RELS/Ammco®*	903088 3088	Belt Release Handle
RM-40062	RELS/Ammco®*	900320 320	Round Red Knob
RM-40063	RELS/Ammco®*	910346 10346	Guide Bar
RM-40064	RELS/Ammco®*	901680 1680	Socket Head Capscrew
RM-40065	RELS/Ammco®*	907788 7788	Belt Guard - Red
RM-40066	RELS/Ammco®*	911273 11273	Belt Guard Hex Nut
RM-40067	RELS/Ammco®*	909592 9592	Front Clamp
RM-40068	RELS/Ammco®*	928366 28366	Lead Screw Nut
RM-40069	RELS/Ammco®*	924446 24446	Large Pulley Woodruff Key
RM-40070	RELS/Ammco®*	903319 3319	Front Clamp Socket Head Capscrew
RM-40071	RELS/Ammco®*	909645 9645	Lock Rod
RM-40071XL	RELS	40071XL	Extended Lock Rod 9539
RM-40072	RELS/Ammco®*	900213 213	Lock Rod Set Screw
RM-40072-10	RELS/Ammco®*	911241 11241	Allen Set Screw (10 pack)
RM-40073	RELS/Ammco®*	940141 40141	Serpentine Belt
RM-40074	RELS/Ammco®*	7751 40074-1	Rotor Feed Gear Box
RM-40074AAB	RELS	40074AAB	Gear Box Housing Assy Only
RM-40074B	RELS	40074B	Shaft

# Brake Lathe Repair Parts

SVI RELS #	For OEM	Ref #	Description
RM-40074C	RELS	40074C	Rotor Feed Motor Mount
RM-40074D	RELS	40074D	Large Pulley
RM-40074H	RELS	40074H	Feed Belt
RM-40074K	RELS	40074K	Rotor Feed Gear Box
RM-40074L	RELS	40074L	Phillips Head Screw
RM-40074M	RELS	40074M	Vinyl Pad
RM-40074N	RELS	40074N	Set Screw
RM-40074P	RELS	40074P	Sheet Metal Screw
RM-40075	RELS	40075	Light Holder
RM-40076	RELS/Ammco®*	906893	6893 Main Switch
RM-40077	RELS/Ammco®*	907209	7209 Power Cord
RM-40078	RELS/Ammco®*	906058	6058 Cord Grip
RM-40079	RELS/Ammco®*	907963	7963 Worklight
RM-40079L	RELS	40079L	Bulb for Halogen Light
RM-40080	RELS	40080	1" Arbor
RM-40081	RELS/Ammco®*	903102	3102 Arbor Nut
RM-40082		40082	Rotor Feed Box Assembly
RM-40082B	RELS	40082B	Electrical Box Face Plate
RM-40082C	RELS	40082C	Rubber Gasket
RM-40083	RELS/Ammco®*	928367	28367 Cap Screw
RM-40085	RELS/Ammco®*	920463	20463 Caution Plate
RM-40086	RELS/Ammco®*	900306	306 Rivet
RM-40089	RELS	40089	Bushing
RM-40090	RELS/Ammco®*	906889	6889 Electrical Panel Insulated Bushing
RM-40091	RELS/Ammco®*	907005	7005 Draw Bar & Nut Assembly
RM-40093	RELS/Ammco®*	903122	3122 11/16" Arbor Only
RM-40094	RELS/Ammco®*	909708	9708 11/16" Arbor Set
RM-40095	RELS	906950-x	40095 Twin Cutter with RELS Bit (6950)
RM-40095A	RELS/Ammco®*	906911	40095A Twin Cutter- Housing
RM-40095N	RELS/Ammco®*	906950	40095 Twin Cutter Assembly with Negative Bits
RM-40095T	RELS/Ammco®*	906950-x	40095T Twin Cutter w/o Tool Holder
RM-40096	RELS/Ammco®*	909492	9496 Self Aligning Spacer
RM-40099	RELS/Ammco®*	911221	11221 Locking Nut for Long Stud
RM-40101	RELS/Ammco®*	903189	3189 Bronze Bushing
RM-40102	RELS/Ammco®*	903188	3188 Bronze Bushing
RM-40103	RELS/Ammco®*	906901	6901 Dial Assembly
RM-40104	RELS/Ammco®*	906906	6906 Twin Cutter Threaded Plug
RM-40105	RELS/Ammco®*	906908	6908 Twin Cutter Dial Rod
RM-40106	RELS/Ammco®*	905843	5843 Drum Boring Bar
RM-40106X	RELS	40106X	Tool Bar w/o Set Screws
RM-40107	RELS	40107	Locking Nut
RM-40108	RELS	40108	Adapter Nut
RM-40109A	RELS	40109A	Flat Socket Cap Screw
RM-40109B	RELS	40109B	Set Screw Cup Type
RM-40110	RELS/Ammco®*	906874	6874 Friction Washer
RM-40111	RELS/Ammco®*	903032	3032 Rear Flange Shim
RM-40112	RELS/Ammco®*	906929	6929 Twin Cutter Spring Washer
RM-40112-10	RELS/Ammco®*	906929-10	6929-10 Twin Cutter Spring Washer (10 pk)
RM-40113	RELS/Ammco®*	906907	6907 Twin Cutter Dial
RM-40115	RELS/Ammco®*	906923	6923 Twin Cutter Dial Knob
RM-40116	RELS	40116	DF Motor Mount Plate
RM-40117	RELS	40117	Drum Feed Cover
RM-40118A	RELS	40118A	Bushing

SVI RELS #	For OEM	Ref #	Description
RM-40118C	RELS	40118C	Lead Screw Support
RM-40119	RELS	40119	Controller 24V
RM-40120	RELS/Ammco®*	907007	7007 Spindle Extension
RM-40122	RELS	40122	Pulley
RM-40123	RELS	40123	Drum Feed Screw Nut
RM-40124	RELS	40124	Drum Feed Screw
RM-40124XL	RELS	40124XL	Drum Feed Screw, XL Lathe
RM-40125	RELS/Ammco®*	906109	6109 Twin Cutter Set Screw
RM-40126	RELS/Ammco®*	906841	6841 Twin Cutter Groove Pin
RM-40127	RELS/Ammco®*	906977	6977 Twin Cutter Plug
RM-40128	RELS/Ammco®*	909879	9879 Twin Cutter Locating Screw
RM-40129	RELS/Ammco®*	903528	3528 Hex Nut
RM-40133	RELS	40133	Nut
RM-40134	RELS/Ammco®*	903184	3184 Drum Feed Gear Box Hex Nut
RM-40136	RELS/Ammco®*	906872	6872 Thrust Washer
RM-40137A	RELS	40137A	Miter Gear
RM-40137B	RELS	40137B	Miter Gear
RM-40138A	RELS	40138A	Bearing
RM-40138B	RELS	40138B	Bearing Race
RM-40139	RELS	40139	Gear Motor
RM-40139D	RELS	40139D	Drum Feed Motor and Mount Kit
RM-40140	RELS/Ammco®*	903324	3324 Drum Gear Box Oval Washer
RM-40141	RELS/Ammco®*	928584	28584 Twin Cutter Brass Spacer
RM-40142	RELS/Ammco®*	906905	6905 Twin Cutter Spring
RM-40143	RELS/Ammco®*	911227	11227 Locking Nut Assembly
RM-40144	RELS/Ammco®*	903022	3022 Large Wrench
RM-40145	RELS/Ammco®*	903218	3218 Small Wrench
RM-40148	RELS	40148	Bushing
RM-40151	RELS	40151	Miter Gear Cover
RM-40152	RELS/Ammco®*	905646	5646 Capscrew
RM-40154	RELS/Ammco®*	911150	11150 Plastic Shield Machine Screw
RM-40155	RELS/Ammco®*	911166	11166 Flange Hex Nut
RM-40156	RELS/Ammco®*	902500	2500 2000 Brake Lathe Bench
RM-40156X	RELS	40156X	Brake Lathe Bench without Back
RM-40159	RELS	40159	Breather Vent
RM-40160	RELS	40160	Step Down Adapter
RM-40161	RELS/Ammco®*	903125	3125 1/2" Spacer 1" hole
RM-40162	RELS	40162	Washer
RM-40163	RELS	40163	11/16" Arbor Assembly
RM-40163X	RELS	40163X	11/16" Arbor Only
RM-40164	RELS	40164	1-7/8" Arbor Assembly
RM-40164A	RELS	40164A	Hex Nut RELS 1-7/8" Arbor
RM-40164B	RELS	40164B	Washer
RM-40164X	RELS	40164X	1-7/8" Arbor Only
RM-40168	RELS/Ammco®*	907048	7048 Chip Tray plus Funnel
RM-40168A	RELS	40168A	Chip Funnel
RM-40168B	RELS	40168B	Chip Bucket
RM-40172	RELS	40172	Fuse Holder
RM-40172A	RELS	40172A	Fuse Holder w/2 AMP Fuse
RM-40173	RELS	40173	Screw
RM-40174	RELS	40174	Main Power Switch
RM-40175	RELS	40175	Speed Dial Knob
RM-40176	RELS	40176	Toggle Switch
RM-40178A	RELS	40178A	Fuse, slow Blow 1 amp
RM-40178B	RELS	40178B	Fuse, Slow Blow 2 amp
RM-40184	RELS	40184	Spring

# Brake Lathe Repair Parts

SVI RELS #	For OEM	Ref #	Description	SVI RELS #	For OEM	Ref #	Description
RM-40185	RELS/Ammco®*	909249 9249	Tool Holder Set Screw	RM-40621	RELS/Ammco®*	929586 29586	Centering Cone 3.75" x 4.13"
RM-40185-20	RELS/Ammco®*	905689-20 5689-20	Sq. Head Set Screw for Drum Bar, 20	RM-40623	RELS	40623	Small Cup 3.25"
RM-40185-30	RELS/Ammco®*	905689-30 5689-30	Sq. Head Set Screw for Drum Bar, 30	RM-40624	RELS	40624	Small Cup 4.50"
RM-40186	RELS	40186	Button Head Screw	RM-40630	RELS/Ammco®*	929591 29591	Spring for Adaptek System
RM-40190	RELS	40190	Rubber Pad	RM-40753	Van Norman	40753	Knob Model 204
RM-40191	RELS	40191	Wiring Harness	RM-41003V	RELS	41003V	Rubber Ring 9.25" 6922
RM-40192	RELS	40192	Double Terminal Blue	RM-41569V	RELS	41569V 40034	Seal Spindle
RM-40193	RELS	40193	Button Head Socket Cap Screw	RM-42001	RELS/Ammco®*	909481 9481	Plastic Shield Assembly
RM-40194	RELS/Ammco®*	911154 40194	Shield for Work Light 11154	RM-42001A	RELS/Ammco®*	42001A	Plastic Shield Only
RM-40197	RELS	40197	4" Hook	RM-42001B	RELS/Ammco®*	629254 29254	Plastic Shield Bracket
RM-40201	RELS	40201	Toggle Boot	RM-42001F	RELS	42001F	Spacer
RM-40203	RELS	40203	Main Motor Mount Bolt	RM-42001G	RELS/Ammco®*	911152 11152	Thumb Screw
RM-40204	RELS	40204	Sealed Bearing	RM-42002	RELS/Ammco®*	909183 9183	Replacement Pads for RM-11497 7075 Silencer (set of 2)
RM-40205	RELS	40205	Locknut N-09	RM-42003	RELS/Ammco®*	910868 10868	Rotor Lead Screw Nut
RM-40206	RELS	40206	Lockwasher W-09	RM-42004	RELS	42004	Lead Screw Assembly 3211-1
RM-40207	RELS	40207	Plug	RM-42005	RELS/Ammco®*	907774 7774	Drive Rod
RM-40210	RELS	40210	Wire Connector	RM-42006	RELS/Ammco®*	904435 4435	Wire Boot Ring
RM-40210R	RELS	40210R	Wire Connector	RM-42007	RELS/Ammco®*	903031 3031	Stud for Short Boring Bar
RM-40211	RELS	40211	Wire Connector	RM-42008	RELS/Ammco®*	903165 3165	Self Aligning Washer
RM-40221	RELS	40221	Potentiometer w/Wires	RM-42009	RELS/Ammco®*	903029 3029	Clamp Nut
RM-40222	RELS	40222	Double Connector Yellow	RM-42011	RELS/Ammco®*	907744 7744	Shift Handle
RM-40223	RELS	40223	18 Gauge - Red	RM-42012	RELS/Ammco®*	907747 7747	Index Plate
RM-40224	RELS	40224	18 Gauge - White	RM-42012-10	RELS/Ammco®*	907747-10 7747-10	Index Plate - 10 Pack
RM-40227	RELS	40227	Wire Connector - Red	RM-42013	RELS/Ammco®*	907980 7980	Paint
RM-40228	RELS	40228	110/220 Motor Switch	RM-42014	RELS/Ammco®*	922763 22763	Lampswitch
RM-40229	RELS	40229	Controller 90V	RM-42015	RELS/Ammco®*	922764 22764	Lampswitch Rubber Boot
RM-40231	RELS	40231	Socket Head Cap Screw	RM-42016	RELS/Ammco®*	904670 4670	Lead Screw Nut - Drum
RM-40232	RELS	40232	Spiral Pin	RM-42017	RELS/Ammco®*	904761 4761	Lead Screw Bushing Nut
RM-40233	RELS	40233	16 Gauge - Black	RM-42018	RELS/Ammco®*	903338 3338	Twin Cutter Set Screw
RM-40238	RELS	40238	3/16" Shrink Wrap	RM-42019	RELS/Ammco®*	909998 9998	Rear Lower Clamp
RM-40239	RELS	40239	Feed Motor 90V	RM-42020	RELS/Ammco®*	909999 9999	Rear Upper Clamp
RM-40246	RELS	40246	Power Supply LED Style	RM-42021	RELS/Ammco®*	903101 3101	1" Arbor
RM-40247	RELS	40247	LED Light Plug	RM-42022	RELS/Ammco®*	903026 3026	Handwheel Handle
RM-40250	RELS	40250	LED Light Assembly	RM-42023	RELS/Ammco®*	906873 6873	Cross Feed Thrust Bearing
RM-40583	RELS	40583	Belt Poly-V	RM-42024	RELS/Ammco®*	903084 3084	Knurled Knob
RM-40601	RELS/Ammco®*	929572 29572	1" Adapter Base 4.8"	RM-42025	RELS/Ammco®*	907782 7782	Guide Bar
RM-40602	RELS/Ammco®*	929573 29573	Reversible Centering Cone 2.05"-3.99"	RM-42026	RELS/Ammco®*	903087 3087	Crossfeed Boot
RM-40603	RELS/Ammco®*	929574 29574	Spacer 2.00" Long	RM-42027	RELS/Ammco®*	903086 3086	Lead Screw Boot
RM-40605	RELS/Ammco®*	929575 29575	Flange Plate for Autos 5.03"	RM-42028	RELS/Ammco®*	906853 6853	Grease Fitting
RM-40606	RELS/Ammco®*	929576 29576	Light Truck Flange Plate 7.25"	RM-42029	RELS/Ammco®*	907784 7784	Large Pulley
RM-40607	RELS/Ammco®*	929578 29578	Light Truck Flange Plate 6.625"	RM-42029A	RELS/Ammco®*	907784-1 7784-1	Large Pulley & Pin
RM-40608	RELS/Ammco®*	929577 29577	Lg. Light Truck Flange Plate 7.25"	RM-42030	RELS/Ammco®*	903024 3024	Small Pulley
RM-40610	RELS/Ammco®*	929579 29579	Centering Cone 1.84" x 2.20"	RM-42031	RELS/Ammco®*	903161 3161	V Belt
RM-40611	RELS/Ammco®*	929580 29580	Centering Cone 2.12" x 2.48"	RM-42032	RELS/Ammco®*	923682 23682	Adapter Ring for Spindle Boot, Brass
RM-40612	RELS/Ammco®*	929581 29581	Centering Cone 2.38" x 2.75"	RM-42033	RELS/Ammco®*	903595 3595	Small Spring Rubber Boot
RM-40613	RELS/Ammco®*	929582 29582	Centering Cone 2.65" x 3.03"	RM-42034	RELS/Ammco®*	902045 2045	Large Spring / Rubber Boot 2045
RM-40614	RELS/Ammco®*	929583 29583	Centering Cone 2.93" x 3.30"	RM-42035	RELS/Ammco®*	903085R 3085R	Rubber Spindle Boot
RM-40615	RELS/Ammco®*	929584 29584	Centering Cone 3.20" x 3.58"	RM-42036	RELS/Ammco®*	903085-P 3085P	Plastic Boot
RM-40616	RELS/Ammco®*	929585 29585	Centering Cone 3.48" x 3.85"	RM-42038	RELS/Ammco®*	907996 7996	Shear Gear
RM-40617	RELS/Ammco®*	929587 29587	Centering Cone 4.03" x 4.40"	RM-42040	RELS/Ammco®*	909837 9837	Guide Bar
RM-40618	RELS/Ammco®*	929588 29588	Centering Cone 4.30" x 4.68"	RM-42043	RELS/Ammco®*	901185 1185	On/Off Switch Plate
RM-40619	RELS/Ammco®*	929589 29589	Centering Cone 4.58" x 4.95"	RM-42044	RELS/Ammco®*	903183 3183	Electrical Panel Screw
RM-40620	RELS/Ammco®*	929590 29590	Centering Cone 4.85" x 5.23"	RM-42047	RELS/Ammco®*	903079 3079	Electrical Panel Strap
				RM-42048	RELS/Ammco®*	921972 21972	Tappet Screw

Page

123

# Brake Lathe Repair Parts

SVI RELS #	For OEM	Ref #	Description
RM-42049	RELS/Ammco®	901926 1926	Ground Wire Lockwasher
RM-42051	RELS/Ammco®	909590 9590	Spindle Lock Set
RM-42052	RELS/Ammco®	902309 2309	Handwheel Nut
RM-42053	RELS/Ammco®	907344R 7344R	Rear Flange
RM-42054	RELS/Ammco®	903090 3090	Drum Gear Box Handwheel Assy
RM-42055	RELS/Ammco®	903215 3215	Oil Filter Sleeve
RM-42056	RELS/Ammco®	906825 6825	Spindle Lock Socket Head Capscrew
RM-42057	RELS/Ammco®	903164 3164	Oil Seal
RM-42057-2	RELS/Ammco®	903164 3164	Oil Seal - Set of 2
RM-42058	RELS/Ammco®	903214 3214	Handwheel Washer
RM-42060	RELS/Ammco®	909830 9830	Quill Gear
RM-42073	RELS	42073	Belt 19"
RM-42074K	RELS	42074K	Rotor Disc Gear Box - Blue
RM-42074K-1	RELS	42074K-1	Back Cover - Blue
RM-42076	RELS/Ammco®	900311 311	Stainless Steel Ball
RM-42077	RELS/Ammco®	903036 3036	Roller
RM-42078	RELS/Ammco®	903040 3040	Shut-Off Assembly- 3000/4000
RM-42079	RELS/Ammco®	903060 3060	Clutch Spring
RM-42081	RELS/Ammco®	903077 3077	Friction Disc Clutch Drum Feed
RM-42082	RELS/Ammco®	903078 3078	Friction Disc
RM-42082B	RELS	42082B	Electric Box Cover
RM-42083	RELS/Ammco®	903092 3092	Groove Pin
RM-42084	RELS/Ammco®	903391 3391	Taper Roller Bearing
RM-42085	RELS/Ammco®	903392 3392	Drum Feed Race 3392
RM-42088	RELS/Ammco®	906871 6871	Needle Thrust Bearing
RM-42090	RELS/Ammco®	907748 7748	Shift Shaft
RM-42091	RELS/Ammco®	907764 7764	Clutch Shaft
RM-42092	RELS/Ammco®	907775 7775	Trap Assy for Crossfeed Gear Box
RM-42093	RELS/Ammco®	909443 9443	Bearing Lock Nut
RM-42094	RELS/Ammco®	909444 9444	Spherical Washer
RM-42096	RELS/Ammco®	903141 3141	3/16" Brass Plug
RM-42096-30	RELS/Ammco®	903141-30 3141-30	3/16" Brass Plug (30 pk)
RM-42099	RELS/Ammco®	903039 3039	Stop Collar
RM-42100	RELS/Ammco®	910868X 10868-x	Ext Lead Screw Nut (28366)
RM-42101	RELS/Ammco®	42101	Ext. Lead Screw Nut 28365-1
RM-42103	RELS/Ammco®	42103	Ext. Lead Screw Nut 28529-1
RM-42104	RELS/Ammco®	903082 3082	Friction Disk Assembly
RM-42106	RELS/Ammco®	906350 6350	Bone Shim Washer
RM-42107	RELS/Ammco®	906937 6937	Dowel Pin
RM-42108	RELS/Ammco®	906973 6973	Thrust Washer
RM-42109	RELS/Ammco®	906974 6974	Tube Cap
RM-42112	RELS/Ammco®	909821 9821	Coupling Assembly
RM-42114	RELS/Ammco®	906446 6446	Dot Plug
RM-42116	RELS/Ammco®	906749 6749	Oilite Bushing
RM-42117	RELS/Ammco®	909815 9815	Driven Assembly
RM-42152	RELS/Ammco®	907750 7750	Facing Set
RM-42180	RELS	42180	Label for Electric Box Cover
RM-42365-10	RELS/Snap-On	42365-10	BTK-10A Positive Rake Bit for Rels 504 series (10 pk)
RM-42703	RELS/Ammco®	903081 3081	Friction Disc Assembly
RM-42704	RELS/Ammco®	907338 7338	Pinion Bushing Assembly
RM-42706	RELS	42706	Gear Shift Assembly 7755
RM-42707	RELS/Ammco®	907757 7757	Coupling Assembly
RM-42708	RELS/Ammco®	909918 9918	Short Lead Screw &

SVI RELS #	For OEM	Ref #	Description
RM-42709	RELS/Ammco®	909919 9919	Miter Gear Assy Long Lead Screw & Miter Gear Assy
RM-43034	RELS/Ammco®	903034 3034	Boot Ring, Steel
RM-43109	RELS/Ammco®	903121 3121	11/16" Spacer 1/2" long
RM-43117	RELS/Ammco®	925882 25882	11/16" Arbor Nut - Left Thread
RM-43118	RELS/Ammco®	922138 22138	Spherical Washer Set
RM-43120	RELS/Ammco®	903120 3120	11/16" Spacer 1" long
RM-43121	RELS/Ammco®	903118 3118	11/16" Centering Cone .750" x 1.375"
RM-43373	RELS/Ammco®	433763 43373	RH Tool Holder
RM-43374	RELS/Ammco®	433764 43374	LH Tool Holder
RM-43379	RELS/Ammco®	433779 43379	RH Tool Holder
RM-43428	RELS/Ammco®	434286 43428	Zero Angle Tool Holder
RM-44000	RELS/Ammco®	903902 3902	Centering Cone 1.062" x 1.750"
RM-44001	RELS/Ammco®	903903 3903	Centering Cone 1.187" x 2.250"
RM-44002	RELS	44002	Centering Cone 1.850" x 3.400"
RM-44004	RELS/Ammco®	903904 3904	Centering Cone 1.703" x 2.750"
RM-44006	RELS/Ammco®	903108 3108	Centering Cone 2.328" x 2.968"
RM-44007	RELS/Ammco®	903178 3178	Centering Cone 2.650" x 3.224"
RM-44008	RELS/Ammco®	903107 3107	Centering Cone 2.890" x 3.500"
RM-44010	RELS/Ammco®	903106 3106	Centering Cone 3.421" x 4.031"
RM-44012	RELS	44012	Centering Cone 3.875" x 4.438"
RM-44014	RELS	44014	Centering Cone 4.124" x 4.969"
RM-44015	RELS	44015	Adapter Cone 1" Bore
RM-44016	RELS	44016	Centering Cone 4.875" x 5.500"
RM-44040	RELS/Ammco®	909921 9921	Double Tapered Cone 1.332" x 1.670"
RM-44042	RELS/Ammco®	909922 9922	Double Tapered Cone 1.362" x 1.710"
RM-44044	RELS/Ammco®	909192 9192	Double Tapered Collet 1.711" x 2.073"
RM-44046	RELS/Ammco®	909193 9193	Double Tapered Collet 2.074" x 2.440"
RM-44048	RELS/Ammco®	909194 9194	Double Tapered Collet 2.441" x 2.897"
RM-44054	RELS/Ammco®	909195 9195	Double Tapered Collet 2.828" x 3.185"
RM-44056	RELS/Ammco®	909196 9196	Double Tapered Collet 3.203" x 3.560"
RM-44100	Accuturn	433712 44100	1" spacer (1" diameter, 1" long)
RM-44102	RELS/Ammco®	5566 44102	2" spacer, 1" diameter, 2" long
RM-44120	RELS/Ammco®	904791 4791	Step Adapter 1-7/8" x 1" (Individual)
RM-44138	RELS/Ammco®	909489 9489	Bell Clamp 3.625" OD
RM-44140	RELS/Ammco®	909490 9490	Bell Clamp 4.5" OD
RM-44142	RELS/Ammco®	903123 44142	Bell Clamp 5.75" OD
RM-44144	RELS	44144	Bell Clamp 6.25" OD
RM-44146	RELS	44146	Bell Clamp 12.0" OD
RM-44180	Accuturn	436271 44180	Drive Tool
RM-44301	RELS	44301	Standard Locator
RM-44303A	RELS	44303A	Centering Cone
RM-44303B	RELS	44303B	Centering Cone
RM-44309	RELS	44309	Nut and Spacer Combination
RM-44500	RELS/Ammco®	903110 3110	Spring
RM-44710	RELS/Ammco®	9399 & 9499 44710	Lt Truck Adapter Kit (3 cones, 2 bell clmps)

# Brake Lathe Repair Parts

SVI RELS #	For OEM	Ref #	Description	SVI RELS #	For OEM	Ref #	Description
RM-44740	RELS	44740	Solid Cones (set of 9)	RM-45022	RELS	45022	Coated Negative Rake Bit for Rels 2000
RM-44780	RELS/Ammco®*	909232	9232 1" Double Tapered Cone Set	RM-45026	RELS/Ammco®*	905720	5720 Tool Bit Holder- Brazed on Carbide Bit
RM-44782	RELS/Ammco®*	909233	9233 Double Tapered Collet Set (2 pcs.)	RM-45027	RELS/Ammco®*	905725	5725 Tool Bit Holder- Brazed on Carbide Bit
RM-45001	RELS/Ammco®*	906914	6914 Negative Rake Bit for 1000,2002 (1)	RM-45028	RELS/Ammco®*	905390	5390 Positive Rake Drum Tool holder
RM-45001-10	RELS/Ammco®*	906914-10	6914-10 Negative Rake Bit for 1000,2002 (10 pk)	RM-45029	RELS/Ammco®*	905392	5392 Positive Rake Tool holder for Small Drums
RM-45001-50	RELS/Ammco®*	906914-50	6914-50 Negative Rake Bit for 1000,2002 (50 pk)	RM-45030	Accuturn/RELS	434056	45030 Curved RH Tool
RM-45001-100	RELS/Ammco®*	906914-100	6914-100 Negative Rake Bit for 1000,2002 (100 pk)	RM-45031	Accuturn/RELS	434057	45031 Curved LH Tool
RM-45001-6	RELS/Ammco®*	906914-6	45001-6 Negative Rake Bit for 1000,2002 (6 pk)	RM-45032	RELS	45032	Insert Screw
RM-45002	RELS/Ammco®*	907681	7681 Positive Rake Carbide Bit	RM-45035M	RELS	45035M	Drum Tool Holder w/o Insert
RM-45002-10	RELS/Ammco®*	907681-10	7681-10 Positive Rake Carbide Bit (10 pk)	RM-45050	RELS/Ammco®*	909197	9197 Double Tapered Collet 2.828" x 3.185"
RM-45002-2	RELS/Ammco®*	907681-2	7681-2 Positive Rake Carbide Bit (2 pk)	RM-45052	RELS/Ammco®*	909198	9198 Double Tapered Collet 3.203" x 3.560"
RM-45002-6	RELS/Ammco®*	907681-6	7681-6 Positive Rake Carbide Bit (6 pk)	RM-45100	RELS/Ammco®*	903191	3191 1" Spacer 1-7/8" hole
RM-45002M	RELS	45002M	Positive Rake Insert	RM-45102	RELS/Ammco®*	903192	3192 2" Spacer 1-7/8" hole
RM-45003	RELS/Ammco®*	910651	10651 Right Handed Tool Holder holds 10701	RM-45104	RELS/Ammco®*	903193	3193 3" Spacer 1-7/8" hole
RM-45004	RELS/Ammco®*	910650	10650 Left Handed Tool Holder holds 10702	RM-45106	RELS	45106	Spacer 6"
RM-45005	RELS/Ammco®*	910701	10701 Negative Rake R.H. Tool Holder	RM-45110	RELS	45110	Red Metal Adapter Box
RM-45006	RELS/Ammco®*	910702	10702 Negative Rake L.H. Tool Holder	RM-45140	RELS/Ammco®*	903577	3577 Bell Clamp 6.25" w/ 1-7/8" Center Hole
RM-45007	RELS/Ammco®*	909872	9872 Std Negative Rake Drum Tool Holder	RM-45142	RELS/Ammco®*	903578	3578 Bell Clamp 7.25" w/ 1-7/8" Center Hole
RM-45008	RELS/Ammco®*	940609	40609 Positive Rake Round L.H. Tool Holder	RM-45144	RELS/Ammco®*	903581	3581 Bell Clamp 9.25" w/ 1-7/8" Center Hole
RM-45009	RELS/Ammco®*	940608	40608 Positive Rake Round R.H. Tool Holder	RM-45500	RELS/Ammco®*	903590	3590 Spring
RM-45010M	RELS/Ammco®*	940610	40610 Round Tool Bit	RM-45518M	RELS/Accuturn	45518	Insert for Accuturn
RM-45010M-10	RELS/Ammco®*	940610	40610-10 Round Tool Bit (10 Pk)	RM-45520M	Hofmann/RJW	W139	45520M Pos. Rake Carbide Bit FMC
RM-45011	RELS	45011	Round RH Tool holder use bit BL-30005-10	RM-45520M	RELS	45520M	Insert for FMC
RM-45012	RELS/Ammco®*	925968	25968 Positive Rake R.H. Tool Holder	RM-45520M-10	Hofmann/RJW	W139x	45520M-10 Pos. Rake Carbide Bit FMC (10 Pk)
RM-45013	RELS/Ammco®*	925969	25969 Positive Rake L.H. Tool Holder	RM-45525	RELS	45525	Tool Holder (404) RH For Accuturn / FMC
RM-45014	RELS	45014	RH Tool Holder - use bit RM-45016M	RM-45526	RELS	45526	Tool Holder (405) LH For Accuturn / FMC
RM-45014M	RELS/Ammco®*	904786	4786 Centering Cone 7.578" x 8.172"	RM-45527	RELS	45527	Accuturn Tool Holder (406) RH
RM-45015	RELS	45015	LH Tool Holder - use Bit RM-45016M	RM-45528	All Tool	45528	Positive Rake Bits All Tool Insert
RM-45016M	RELS	45016M	New RELS Bit for 4000, 7500	RM-45700	RELS	45700	Positive Rake Tool Holder Set
RM-45016M-10	RELS	45016M-10	New RELS Bit for 4000, 7500 (10 pk)	RM-45701	RELS/Ammco®*	906999	6999 Set of 2 Tool bit holders - Negative Rake
RM-45016M-50	RELS	45016M-50	New RELS Bit for 4000, 7500 (50 pk)	RM-45702	RELS/Ammco®*	907999	7999 Set of 2 Tool bit holders - Positive Rake
RM-45016M-100	RELS	45016M-100	New RELS Bit for 4000, 7500 (100 pk)	RM-45710	RELS	45710	Light Truck Set 1-7/8"
RM-45017M-10	RELS/Ammco®*	906918-10	6918-10 Coated Positive Rake Bit (10 pk)	RM-45782	RELS/Ammco®*	909234	9234 Adapter Set
RM-45018M-10	RELS/Ammco®*	905677-x	5677-10 Heavy Duty Positive Rake Bits 6000 (10 pk)	RM-45900	RELS/Ammco®*	904778	4778 Centering Cone 3.828" x 4.421"
RM-45019	RELS/Ammco®*	906499	6499 Screw for 6914, 6918, 7681 (10 pk)	RM-45902	RELS/Ammco®*	904779	4779 Centering Cone 4.359" x 4.968"
RM-45020	FMC/John Bean	90488	45020 Positive Rake Bit	RM-45903	RELS/Ammco®*	904732	4732 Centering Cone 4.656" x 5.25"; 1-7/8"
RM-45020-10	FMC/John Bean	90488-10	45020-10 Positive Rake Bit (10 Pk)	RM-45904	RELS/Ammco®*	904781	4781 Centering Cone 4.891" x 5.500"
RM-45021-10	RELS	45021	Coated Pos. Rake Bit for Rels 2000 (10 pk)	RM-45906	RELS/Ammco®*	904782	4782 Centering Cone 5.438" x 6.031"
				RM-45908	RELS/Ammco®*	904783	4783 Centering Cone 5.969" x 6.563"
				RM-45910	RELS/Ammco®*	904784	4784 Centering Cone 6.500" x 7.438"
				RM-45912	RELS/Ammco®*	904785	4785 Centering Cone 7.031" x 7.641"



# Brake Lathe Repair Parts

SVI RELS #	For OEM	Ref #	Description
RM-45914	RELS/Ammco®*	904786	4786 Centering Cone 7.578"x 8.172"
RM-45916	RELS/Ammco®*	45916	Centering Cone 8.062" x 9.593"
RM-45918	RELS/Ammco®*	904776	4776 Centering Cone 2.750" x 3.3334"
RM-45919	RELS/Ammco®*	904777	4777 Centering Cone 3.281" x 3.891"
RM-45930	RELS	45930	Centering Cone 2.156" x 3.375"
RM-45932	RELS	45932	Centering Cone 2.250" x 3.625"
RM-45934	RELS	45934	Centering Cone 3.600" x 4.500"
RM-45936	RELS	45936	Centering Cone 3.500" x 4.870"
RM-45938	RELS	45938	Centering Cone 4.625" x 6.000"
RM-47120	RELS/Ammco®*	904790	4790 Step Adapter 1-7/8"x 1" (3-Pack)
RM-47130	RELS/Ammco®*	903127	3127 Step Adapter 2" x 1"
RM-47300	RELS/Ammco®*	908800	8800 Hubless Adapter
RM-47315	RELS	47315	Deluxe Adapter Plus System
RM-47327	RELS/Ammco®*	908889	8889 Composite Rotor Adapter Plates/Trucks
RM-47330	RELS/Ammco®*	908888	8888 Composite Rotor Adapter Plates/cars
RM-47365	RELS	47365	Small Drum and Composite Kit
RM-47369	RELS	47369	Deluxe Small Drum and Composite Kit
RM-47373	RELS	47373	Deluxe Drum and Rotor Set
RM-47381	RELS	47381	Light and Medium Truck Kit
RM-47500	RELS	47500	Hub Type Adapter Set
RM-47500H	RELS	47500H	1-7/8" Adapter Set for Hunter
RM-47510	RELS	47510	Light Truck Set
RM-47515	RELS	47515	Light Truck Set 1-7/8"
RM-47520H	RELS	47520	H-D Hubless Type 1-7/8" Adapter Set
RM-47520H	RELS	47520H	1-7/8" Adapter Set for Hunter
RM-47540	RELS/Ammco®*	908995	8995 Adapter Set
RM-47545	RELS/Ammco®*	904347	4347 1" Adapter Set
RM-47550	RELS/Ammco®*	909499	9499 1-7/8" Adapter Set 3.828" x 4.958"
RM-47560	RELS	47560	Lathe Truck Adapter Pack
RM-48010	RELS	48010	Round Tool Holder Kit
RM-49001	RELS	49001	Adapter Kit "A"
RM-49002	RELS	49002	Adapter Kit "B"
RM-49003	RELS	49003	Adapter Kit "C"
RM-49004	RELS/Ammco®*	904347	4347 Adapter Kit "D"
RM-49005	RELS	49005	Adapter Kit "E"
RM-49010	RELS	49010	RELS Standard Adapter Kit
RM-49012	RELS	49012	Kit for Cutting Drums
RM-49015	RELS	49015	Adapter Package - Van Norman
RM-49310	RELS/Ammco®*	909310	9310 1" Adapt Set Cars & Lt. Trucks to 1/2 Ton
RM-49310R	RELS	49310R	Combo Passenger Car and Truck Kit
RM-49311	RELS/Ammco®*	909311	9311 1" Adapt Set for Passenger Cars
RM-49312	RELS/Ammco®*	909312	9312 1" Adapt Set for Trucks up to 1/2" Ton
RM-49313	RELS/Ammco®*	909313	9313 1" Adapt Set for 3/4 & 1 Ton Trucks
RM-49314	RELS/Ammco®*	909314	9314 1" Adapter odd center holes
RM-49399	RELS/Ammco®*	909399	9399 1-7/8" Adapter Set 4.656" x 5.250"
RM-49450	RELS	49450	Adapter, Ford F-150
RM-49880	RELS/Ammco®*	49880	3-Jaw Univ. Chuck w/ Backing Plate & Wrench
RM-49880C	RELS/Ammco®*	49880C	3-Jaw Universal Chuck Only w/ Std Jaws

SVI RELS #	For OEM	Ref #	Description
RM-49880CT	RELS/Ammco®*	49880CT	3-Jaw Universal Chuck Only w/Truck Jaws
RM-49881	RELS/Ammco®*	49881	5.25" Backing / Quick Chuck Plate
RM-49881T	RELS/Ammco®*	49881T	6.25" Backing / Quick Chuck Plate Toyota Truck
RM-49882	RELS/Ammco®*	49882	4.75" Backing / Quick Chuck Plate
RM-49883	RELS/Ammco®*	49883	3-Jaw Chuck Wrench/Key
RM-49886	RELS/Ammco®*	49886	7.25" Backing / Quick Chuck Plate
RM-49887	RELS/Ammco®*	49887	Truck Jaws for Univ. Chuck (Large Jaw Set)
RM-49887XL		49887XL	Truck Jaws / Quick Chuck (X-Large 4.4" / 7")
RM-49890	RELS/Ammco®*	49890	3-Jaw Chuck System for Hubless Rtrs/Drms
RM-49890W	RELS/Ammco®*	49890W	3-Jaw Chuck Wrench/Key
RM-49891	RELS/Ammco®*	49891	Twin Chuck Kit for Hub-less Drums/Rotors
RM-49891F		49891F	Twin Chuck Kit for Hub-less Drums/Rotors
RM-49891EK			Twin Chuck Extended Kit - Trucks
RM-49892	RELS/Ammco®*	49892	Quick Chuck Adapter Medium Drums/Rotors
RM-49892XL		49892XL	1" Quick Chuck Adapter Set 4.4" to 7"
RM-49893		49893	3 Jaw Chuck for 4.4" to 7" Hub-less 1" Arbor
RM-49894		49894	9.625" Quick Chuck Backing Plate
RM-49895		49895	HD Truck/Bus Brake Lathe for 1-7/8" Arbor
RM-49896		49896	3 Jaw Chuck 5.275" to 10.2" Hub-less 1-7/8"
RM-49896W		49896W	3-Jaw Chuck Wrench/Key
RM-49897		49897	12" Backing Plate
RM-49898		49898	9.625" Backing Plate
RM-49899		49899	7.813" Backing Plate
RM-49900		49900	EZ Adapter Ford F-150 Rotor 2004/up
RM-49901		49901	EZ Adapter Bushing
RM-49902		49902	EZ Adapter Dodge/Chevy 4x4 Rotors 3/4 to 1
RM-49903		49903	Quick Chuck Adapter Kit - Trucks
RM-50000	RELS	50000	Variable Speed Gear Box
RM-50001	RELS/Ammco®	940175	50001 Pulley Kit
RM-50002	RELS/Ammco®	50002	Service Kit - Control Box
RM-50006	RELS/Ammco®	50006	Replacement Boot Set
RM-50010	RELS/Ammco®	50010	Boring Bar Tooling Set
RM-51002	FMC/Snap-On		Rotor Feed Repair Kit 601/701
RM-72283	RELS/Ammco®	906914-10TH 6914-10TH	72283 Negative Rake Bit Premium Thick (10 pk)
RM-90490	John Bean/RELS	90490	RH Tool Holder
RM-90491	John Bean/RELS	90491	LH Tool Holder
RM-90494	John Bean/RELS	90494	LH Tool Holder
RM-90495	John Bean/RELS	90495	RH Tool Holder
RM-5326683	RELS	5326683	Main Motor (RL-8500)



**TERMS AND CONDITIONS OF THE  
SALES ORDER  
FOR SVI INTERNATIONAL, INC.**

1. **GENERAL.** The terms and conditions of sales order outlined herein shall apply to the sale by SVI INTERNATIONAL, INC. (hereinafter referred to as "Company") of the items described on the facing page (hereinafter referred to as "Merchandise") to Purchaser.
2. **DELIVERY.** Delivery shall be deemed to be complete when the Merchandise has been shipped F.O.B. Company's plants in DeKalb, Illinois, Montclair, California; and Baltimore, Maryland ("Company's plants"). Shipments are subject to delays from causes or contingencies beyond the reasonable control of the Company. When otherwise not specified, shipments will be made in standard containers via carrier which, in the judgment of the Company, will result in the most practical method. Title and right of possession will pass to the Purchaser upon receipt by the carrier at the shipping point. If a customer of the Company should specify a specific carrier's method of shipment (i.e. UPS Next Day Air) and that carrier does not perform to the customer's expectations, freight credit to a customer's account will not be issued unless the Company can first obtain a credit.
3. **RISK OF LOSS.** Identification of the Merchandise under Uniform Commercial Code (hereinafter referred to as "UCC") Section 2-501 shall take place at the moment of shipment F.O.B. Company's plants. Risk of loss shall pass to the Purchaser when the Merchandise is shipped from the Company's plants.
4. **TITLE.** Title to the merchandise shall transfer to the Purchaser when the Merchandise is shipped from the Company's plants.
5. **WARRANTIES.** The Company guarantees its products to be free from defects in workmanship and raw materials for a period of one year from date of purchase. THIS WARRANTY IS EXPRESSLY IN LIEU OF ANY AND ALL WARRANTIES EXPRESS OR IMPLIED. COMPANY DOES NOT WARRANT THE MERCHANDISE IS MERCHANTABILITY OR FIT FOR ANY PARTICULAR PURPOSE. Company's liability for breach of the terms of this Agreement, including any warranty, is limited to either refund of the invoice price of the Merchandise or at Company's option, replacement of the Merchandise free of charge, including transportation charges but not including the cost of labor. Purchaser has not relied on any statement or upon the conduct of Company with respect to the prospective use of the merchandise. Company shall not be liable for and Purchaser waives any and all claims for any loss or damage, directly or indirectly, arising from the use of the Merchandise and for punitive, incidental or consequential damages, including, but not limited to, damages to property, for loss of use, loss of time, loss of profit or loss of income. The Company does not authorize the sale of our products under any other warranty, expressed or implied.
6. **SETOFF.** All claims for money due or to become due from the Company shall be subject to deduction by the Company for any setoff or counterclaim arising out of this or any other claims of the Company or its affiliated companies, whether such setoff or counterclaim arose before or after any assignment by Purchaser.
7. **INDEMNIFICATION.** Purchaser agrees to indemnify the Company and hold it harmless from and against all claims, liability, loss, damage or expense, including reasonable counsel fees, arising from or by reason of any modifications or alterations made by Purchaser. If a customer of the Company modifies or alters any part, in any manner whatsoever, or uses any part in departure from recommended performance specifications, said customer agrees to indemnify and hold the Company harmless from and against all liability and expenses based on damage to property or injury to or death of any person arising out of or attributable to such modified or altered part. Further, the Company will not accept any such modified or altered part for credit to a customer's account.
8. **FREIGHT POLICY.** Freight charges on individual orders less than \$3000 in net value, are prepaid and added to invoice or collect FOB shipping point. Freight charges on one shipment only (standard ground service and to the continental US only) on most \$3000 net value orders may be paid by SVI International, Inc. - FOB shipping point. Please speak to your Salesperson for exceptions to this Freight policy for your specific order. Note: Customers with COD terms are responsible for all carrier COD fees regardless of order, including refusal fees.
9. **RETURN POLICY.** To return a part for credit or inspection, Purchaser must first contact our Main Office in Illinois, to obtain a Return Merchandise Form. Once Purchaser has obtained this form, the parts can be returned freight prepaid only. The Return form must be included with the shipment. Parts returned to the Company without the approved form will be returned freight collect to the shipper or refused. Returns must be initiated within 60 days of the invoice date. The Return Forms are valid for 60 days, from the date of issue. All Returns are subject to 25% restocking charges. Return parts brought into our remote warehouses, will not be accepted by our personnel, without a Return Merchandise Form from the Main Office. Parts which have been used in any way or manner, including any installation or incorporation into a lift, hoist, or other equipment, shall NOT be eligible for return whether or not a Return form has been assigned.
10. **RESTOCK CHARGE.** Returns are subject to up to twenty-five (25%) restocking charge. Refusals are subject to the same restocking charge plus the cost of outbound and return freight charges and/or fees incurred by the Company due to shipment refusal.
11. **PRICES AND PAYMENTS.** All prices are subject to change without notice. All prices are F.O.B. shipping point. The Company standard terms are net 30 days, C.O.D. company check, C.O.D. cash, VISA, MasterCard, Discover or American Express. However, if in the judgment of the Company, the financial condition of the Purchaser at any time does not justify shipment according to standard terms of payment, the Company may require full or partial payment in advance.
12. **INTERPRETATION.** This sales order is intended by the parties as a complete and exclusive statement of the terms of their agreement. It supersedes all prior agreements, written or oral. No course of prior dealings between the parties and no usage of the trade shall be relevant to supplement or explain any terms used in this sales order. Acceptance or acquiescence in a course of performance rendered under this purchase order shall not be relevant to determine the meaning of this sales order even though the accepting or acquiescing party has knowledge of the nature of the performance and opportunity for objection. Whenever a term defined by the UCC is used in this sales order the definition contained in the UCC shall control.
13. **MODIFICATION.** This sales order can be modified or rescinded only by a writing signed by both parties.
14. **WAIVER.** No claim or right arising out of a breach of this sales order can be discharged in whole or in part by a waiver or renunciation of the claim or right unless such waiver or renunciation is supported by consideration and is in writing signed by the aggrieved party.
15. **ASSIGNMENT.** No right or interest in this sales order shall be assigned by either party without the written consent of the other and no delegation of any obligation owed, or of the performance of any obligation by either the Company or Purchaser shall be made without the written consent of the other party. Any attempted assignment or delegation not made in conformity with this paragraph shall be wholly void and totally ineffective for all purposes.
16. **TIME TO PERFORM AND BRING ACTION.** Time is of the essence of this sales order. Any action for breach of this sales order shall be commenced within two (2) years after the cause of action has accrued. Any party who loses any litigation shall reimburse the other party for costs including reasonable attorney's fees. The exclusive jurisdiction for any legal action shall be the Circuit Court of DeKalb County, Illinois.
17. **APPLICABLE LAW.** This sales order shall be governed by the UCC of Illinois as effective and in force on the date of this sales order.



**RELS**

# Brake Lathes and Repair Parts

*For All Makes and Models!*

BALTIMORE • CHICAGO • LOS ANGELES



**RELS**  
2000 / 2000X  
Brake Lathes



- Air Compressor Parts and Filters
- Auto Lift Parts for Any Brand
- Auto Lift Cables and Chain
- Auto Lift Power Units and Parts
- Auto Lift Sheaves / Pulleys and Chain Rollers
- Brake Lathes and Repair Parts for All Makes
- Exhaust System Products
- Fluid Delivery Repair Parts
- Hose Reels and Hose Stops
- In-Ground Auto Lifts
- Lubrication Equipment Repair Parts
- Petroleum / Service Station Pump and Tank Products
- RELS Brake Lathes
- Repair Parts for Gasboy Consumer Series
- SESM Lifts for ATV/UTV, Golf Cart and More!
- Tire Changer Repair Parts
- Transfer Pumps
- Turf Attachments for 2-Post Lifts
- Vehicle Lifting Systems
- Wheel Balancer Accessories



## **SVI International, Inc.**

155 Harvestore Drive • DeKalb, IL 60115

800-321-8173 • 815-748-0200

Fax: 800-899-1784 • 815-748-0210

Entire contents copyright © 2019, SVI International, Inc.

Information and Catalogs Online:

[www.relsmfg.com](http://www.relsmfg.com) • [www.sviinternational.com](http://www.sviinternational.com)