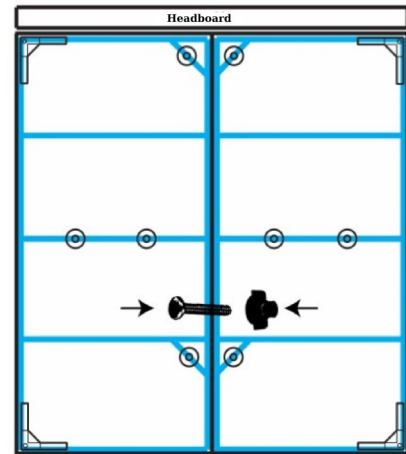
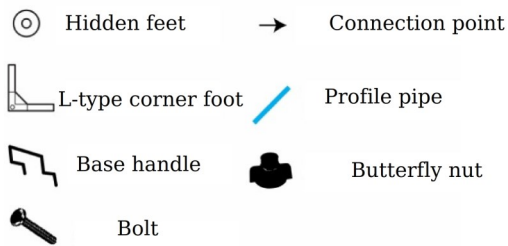


# WINGZ

## BASE ASSEMBLY INSTRUCTIONS

1- When you take your base out of its box, you can find the necessary materials for installation inside the base.

2- You can mount the hidden feet that come out of your base, under your base by turning

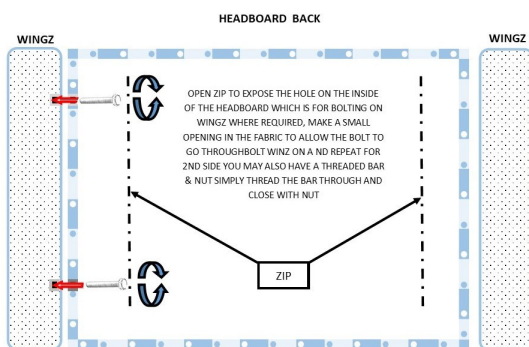
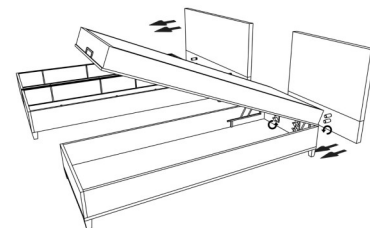
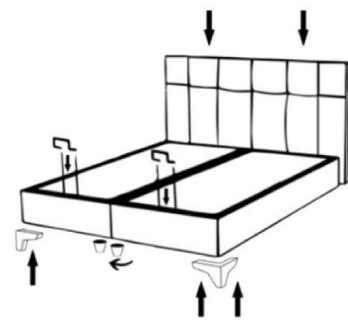


3- You can mount the main carrier L-type feet of your base with the help of a cordless drill or screwdriver to the corners of the base as shown

4- After the foot installation is finished, you need to fix it from the profile inside your base.

5- Tighten firmly but do not over tighten the nuts and screws by inserting the handles into the base profile places at the foot ends as in the figure.

6- Screw the bolts from the inside out place the headboard in its position and put the washers and nuts onto the bolts



# USER MANUAL

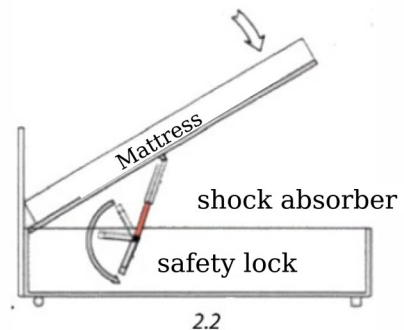
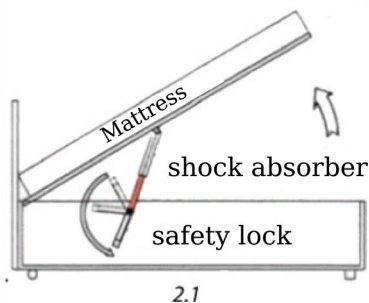
## 1- Never allow your young children to open and play with your bed base!

Therefore, do not leave your base open after using it.



## 2.1- When you open your base, do not take or put things without putting the safety lock in place.

## 2.2- Unlock the safety lock to close your base.



## 3- There is a handle on the foot end to lift the bed mechanism.

After fixing the mechanism completely, you can put your belongings.

high-quality shock absorbers are produced safely, however, **as a precaution, we recommend that you do not enter with your head and body between the raised bed section and the cupboard section.**



## 4- Fix the base upper mechanism by keeping it away from your face and body.

**Be careful not to hit your face and chin,** as the mechanism will lift up quickly because of the shock absorbers.



## 5- Slowly lower and fix the top cover mechanism of the base by keeping it away from your face and body. This way the bed is fixed.

