

FORMD T1^{v2}

Assembly Manual

T1-REF KIT (reference kit), Pages 3-14

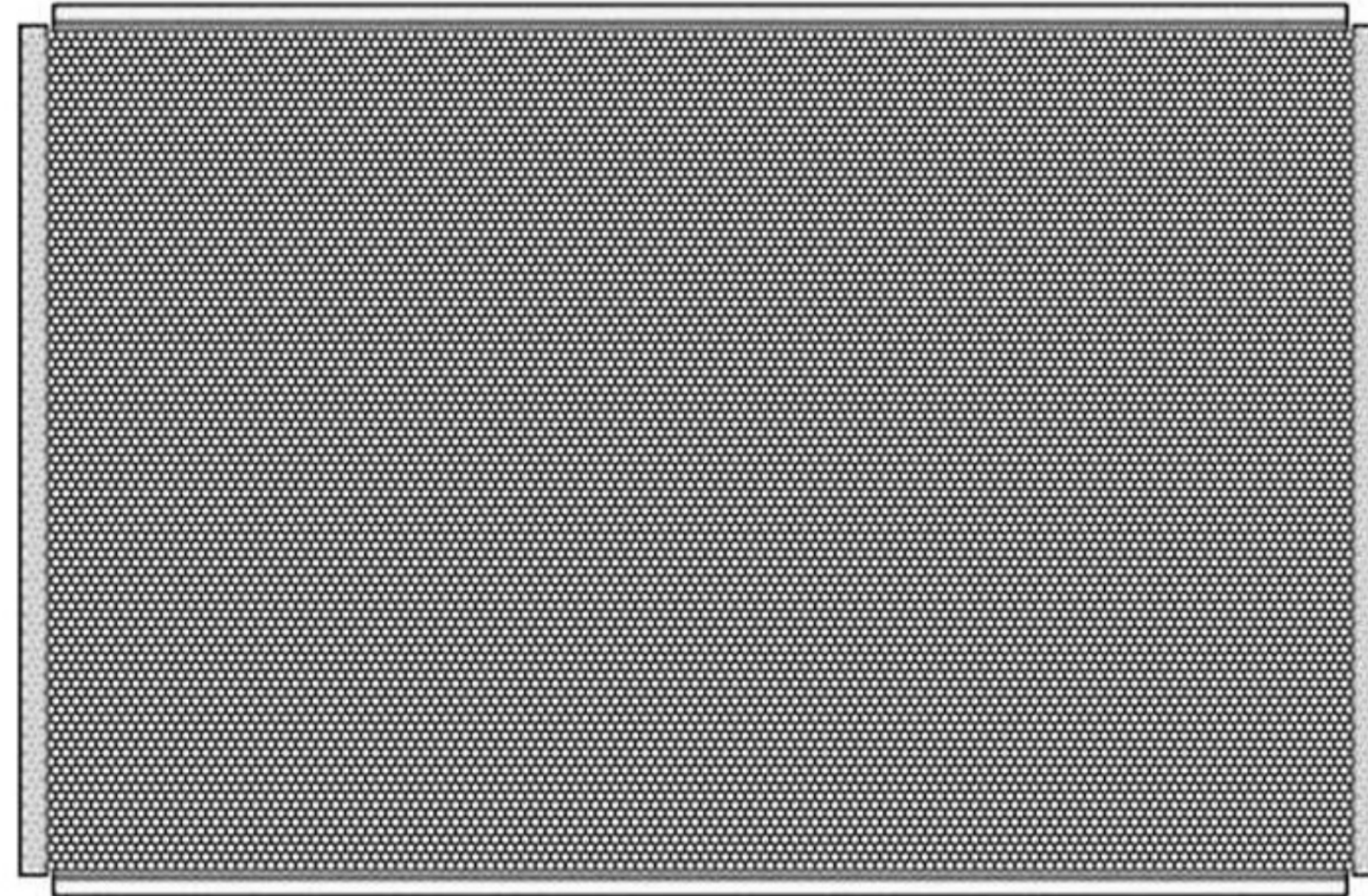
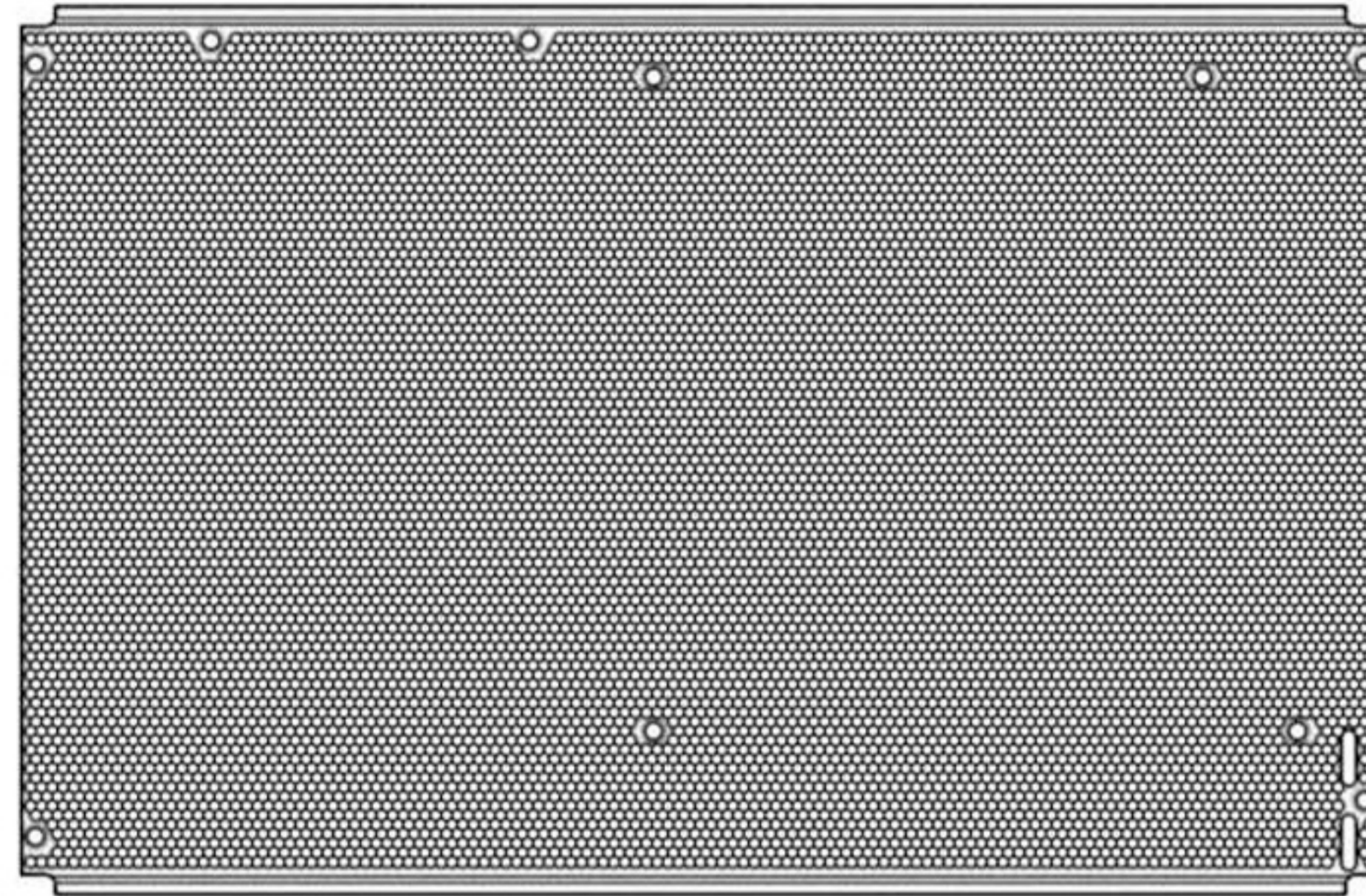
T1-SW KIT (sandwich kit), Pages 15-32

T1-T KIT (tower kit), Pages 33-35

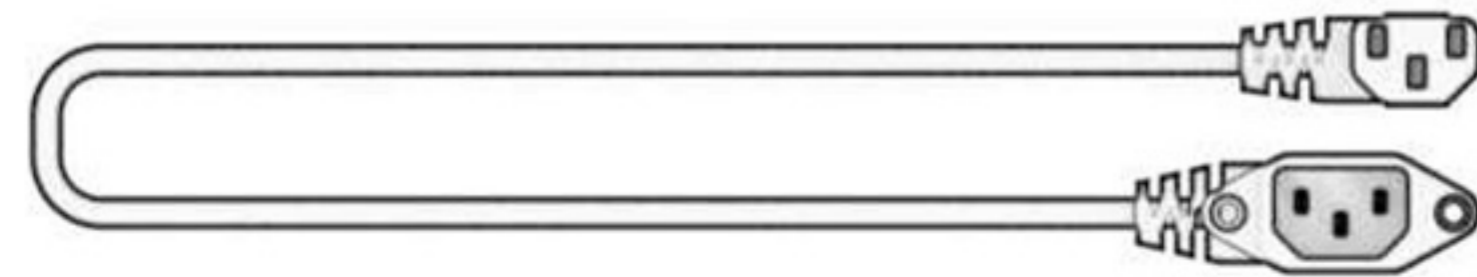
Special Thanks, Page 36

T1-REF KIT

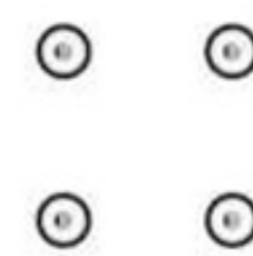
In The Box:



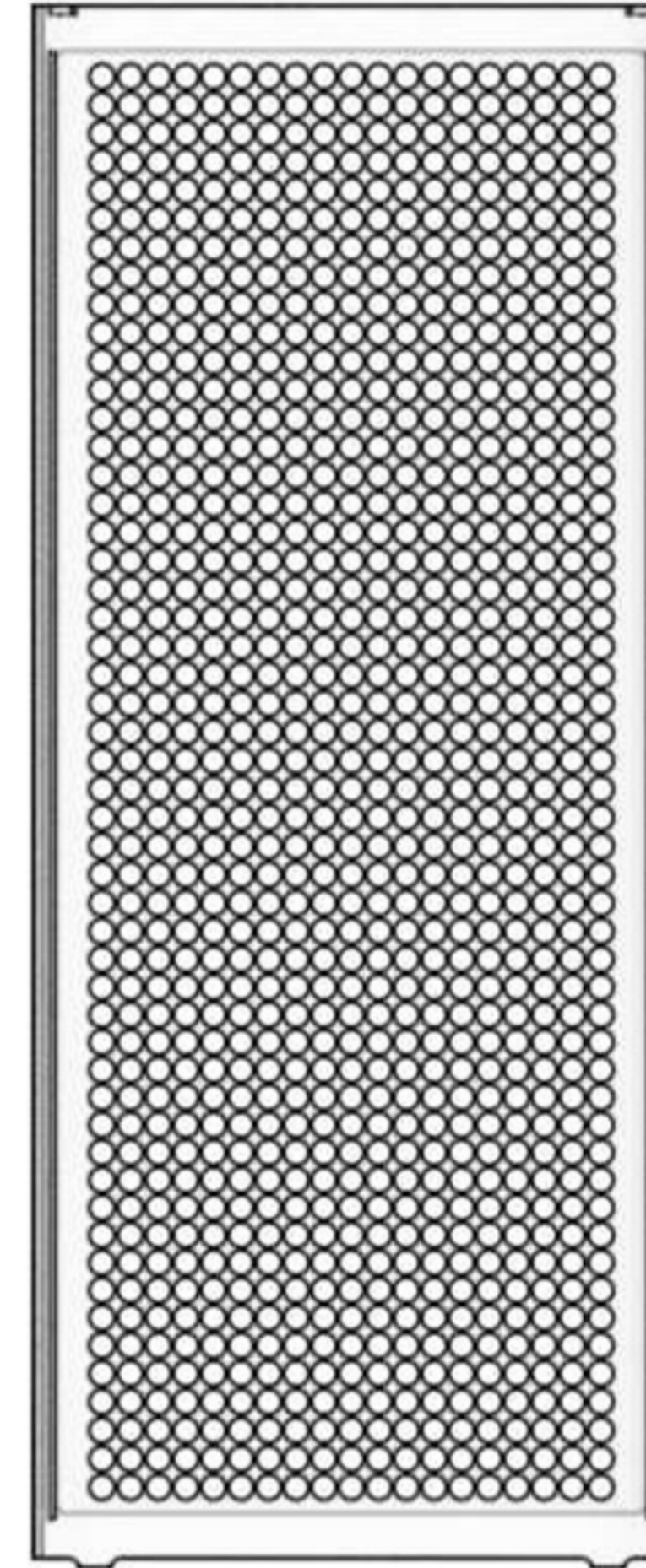
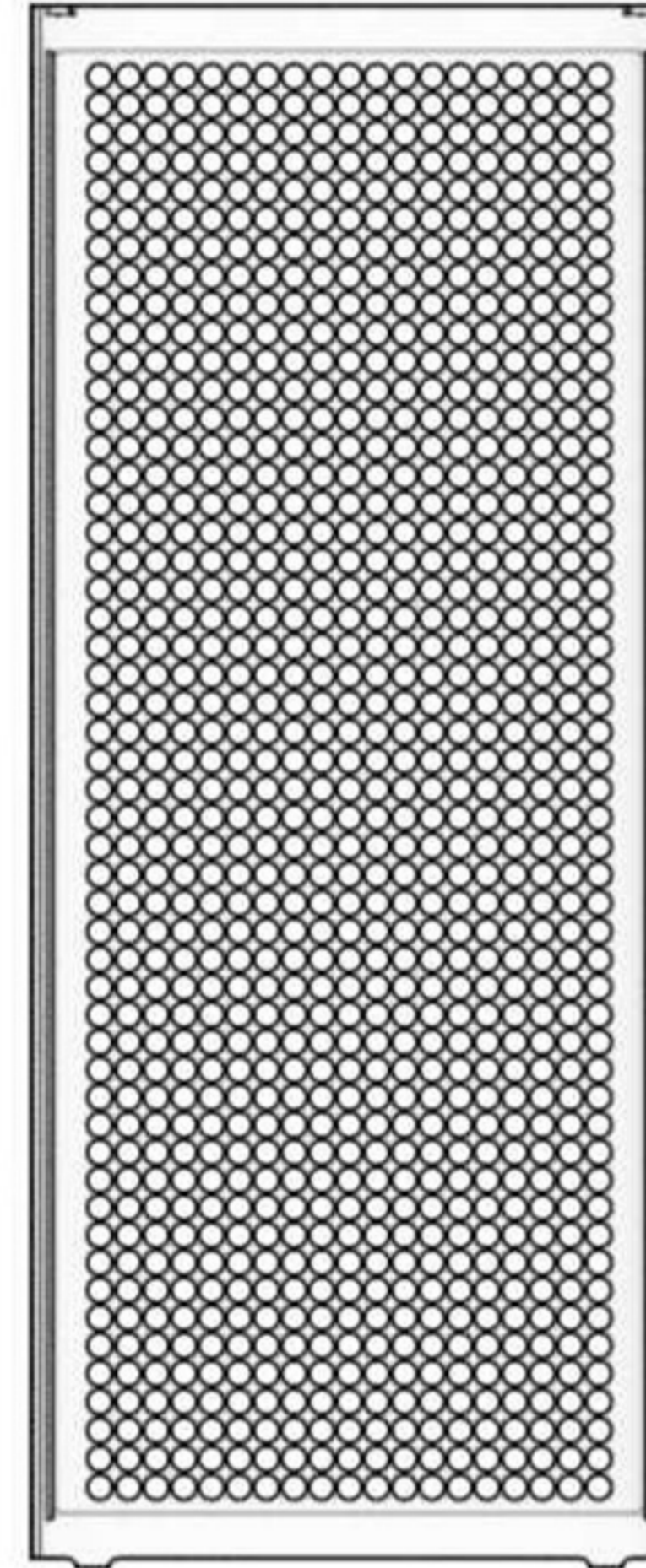
Mesh Side Panel x2



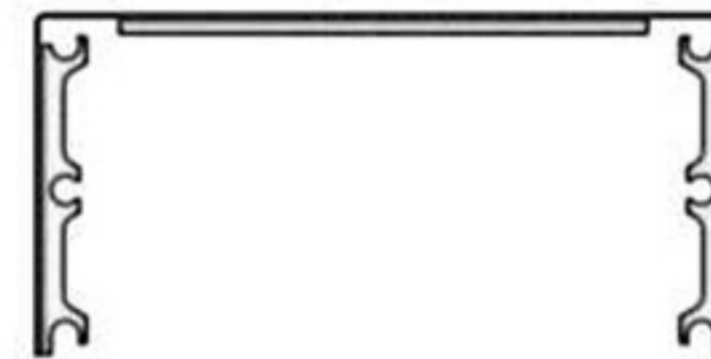
PSU Inlet Cable



Case Feet



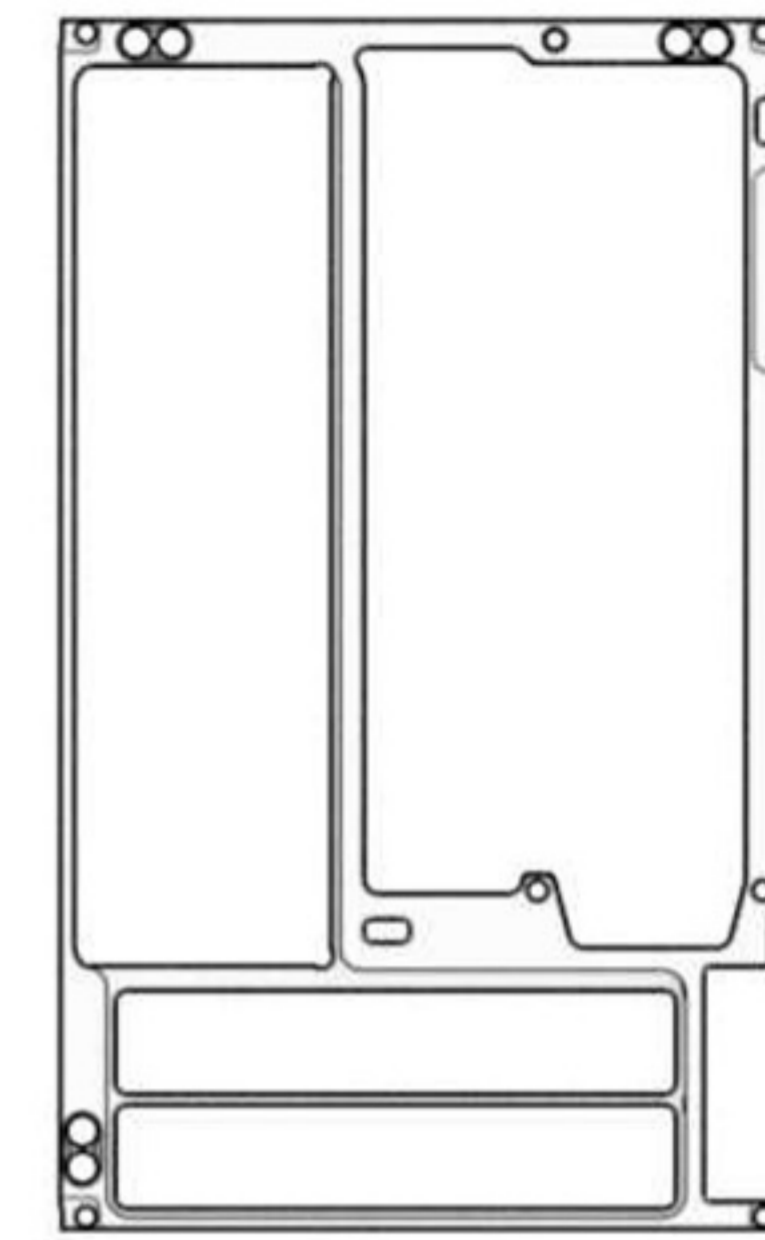
Top/Bottom Panel x2



SFX PSU Bracket



Power Button



Rear Panel REF



Front Panel REF

Side Strut

CAUTION: do NOT overtighten screws. Once resistance is encountered, do not tighten more than one-quarter turn.



M3 Thumbscrew (THUMB-6)



M3 Flat Head Screw (M3-4)



M3 Thin Flat Head Screw (TM3-4)



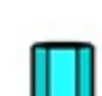
M3 Flat Head Screw (M3-5)



M3 Countersunk Screw (CSM3-5)



M3 Countersunk Screw (CSM3-8)



M3 Female Standoffs (STANDOFF-F6, for motherboard ONLY)

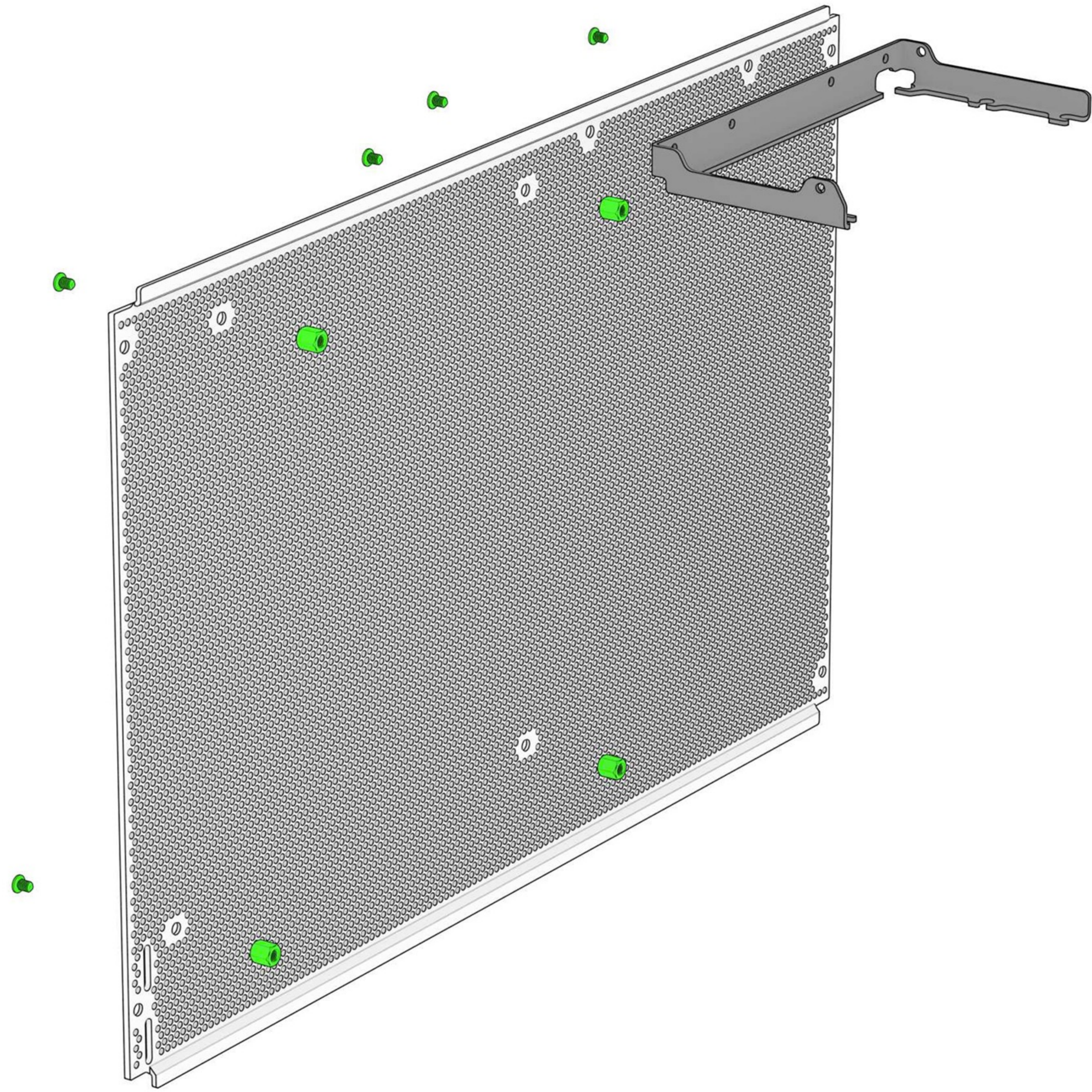
Fasteners:

T1-REF KIT

Fasteners:

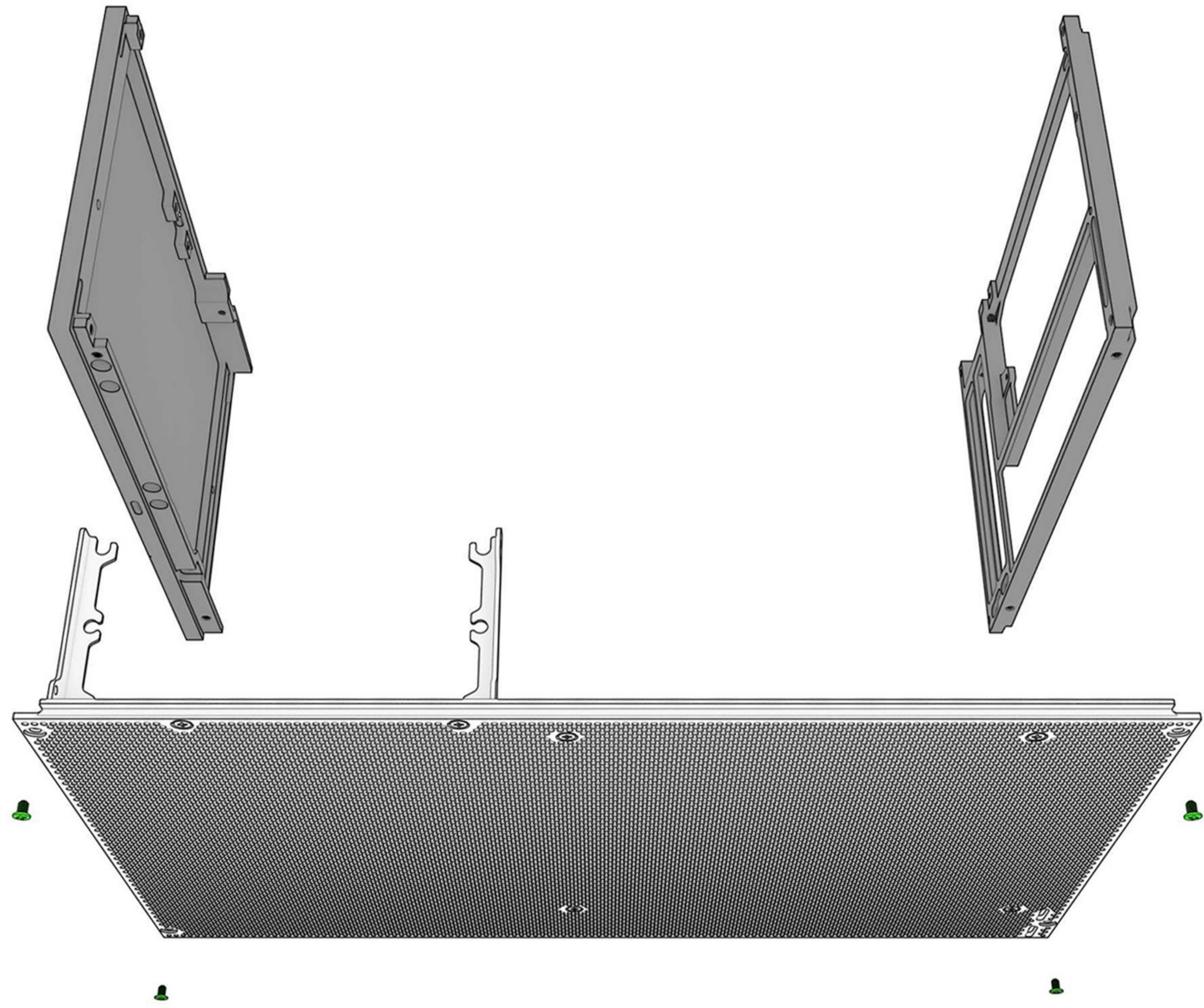
TM3-4 x 6

STANDOFF-F6 x 4



T1-REF KIT

Fasteners:
TM3-4 x 4



Fasteners:
CSM3-5 x 2



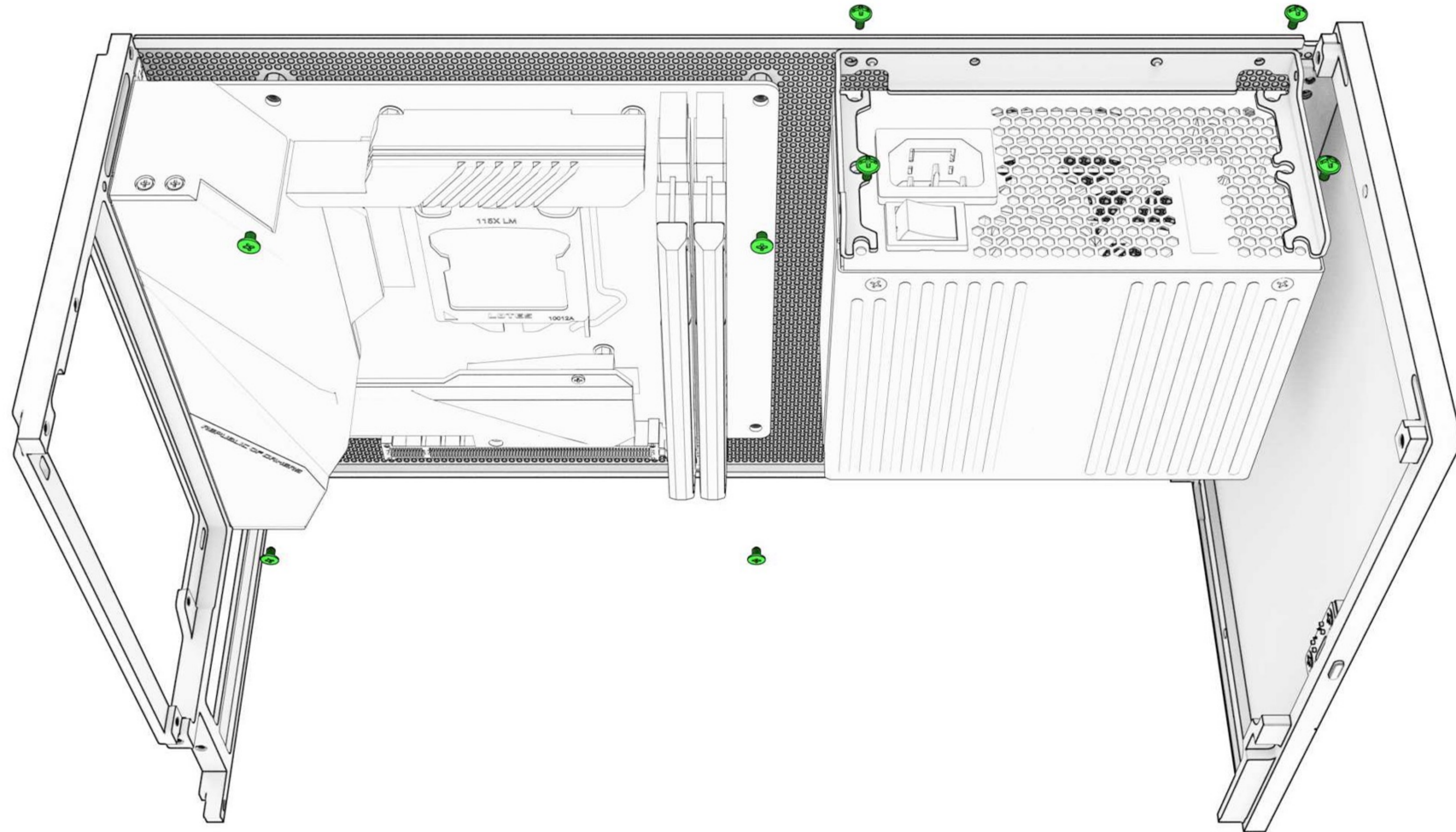
T1-REF KIT

Fasteners:

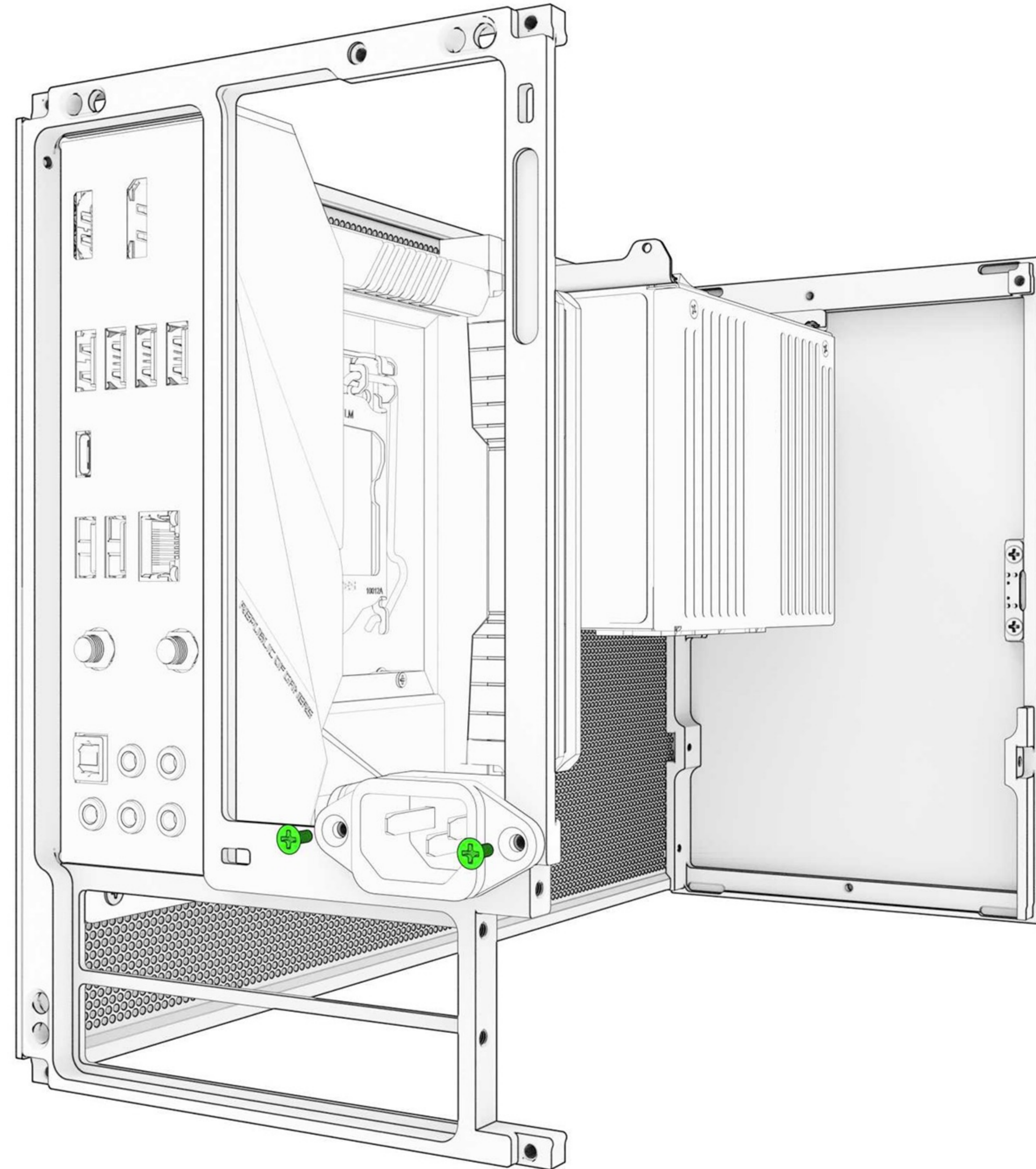
M3-4 x 4

#6-32 x 4

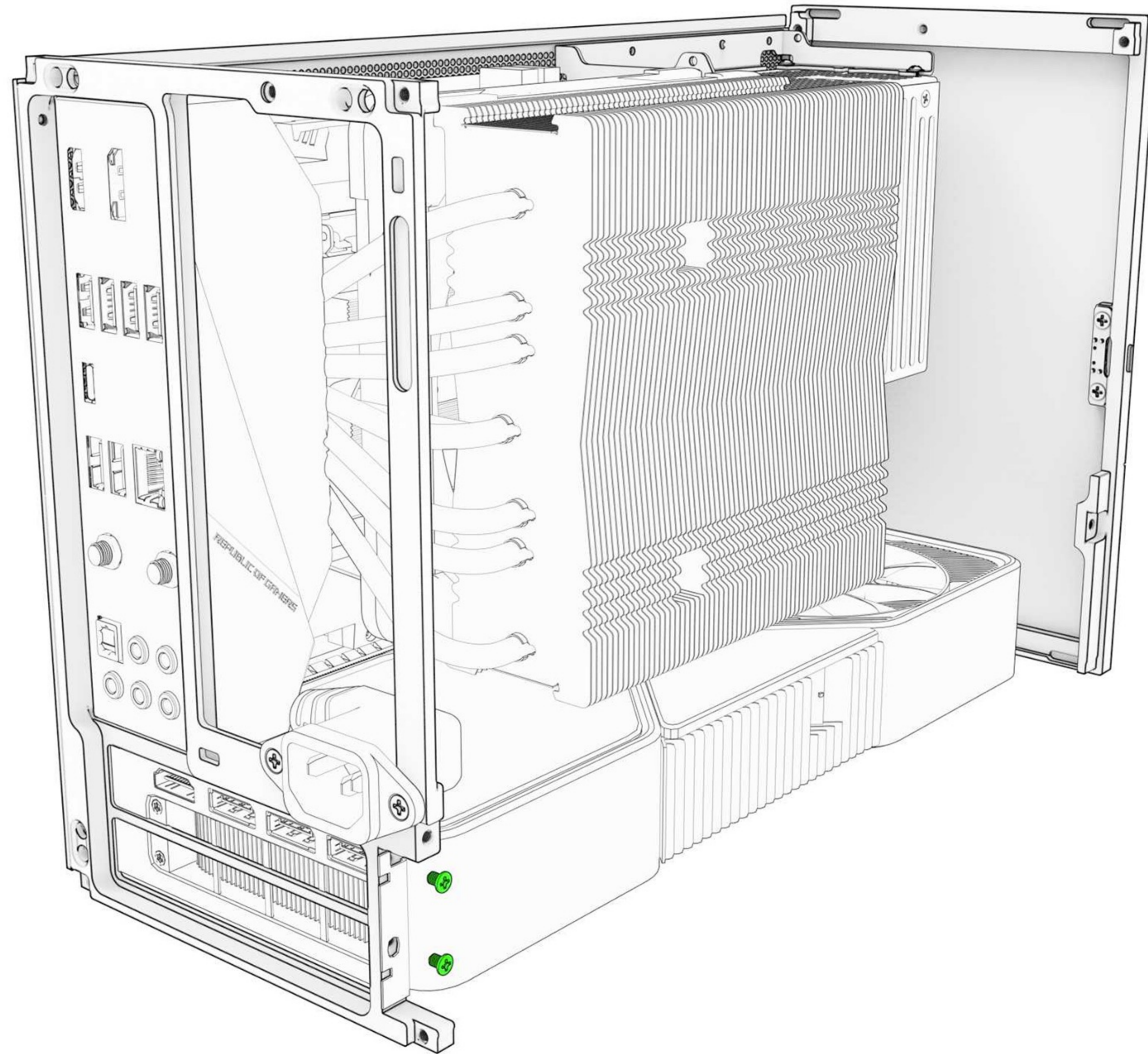
* #6-32 used for the power supply installation is not included



Fasteners:
CSM3-8 x 2

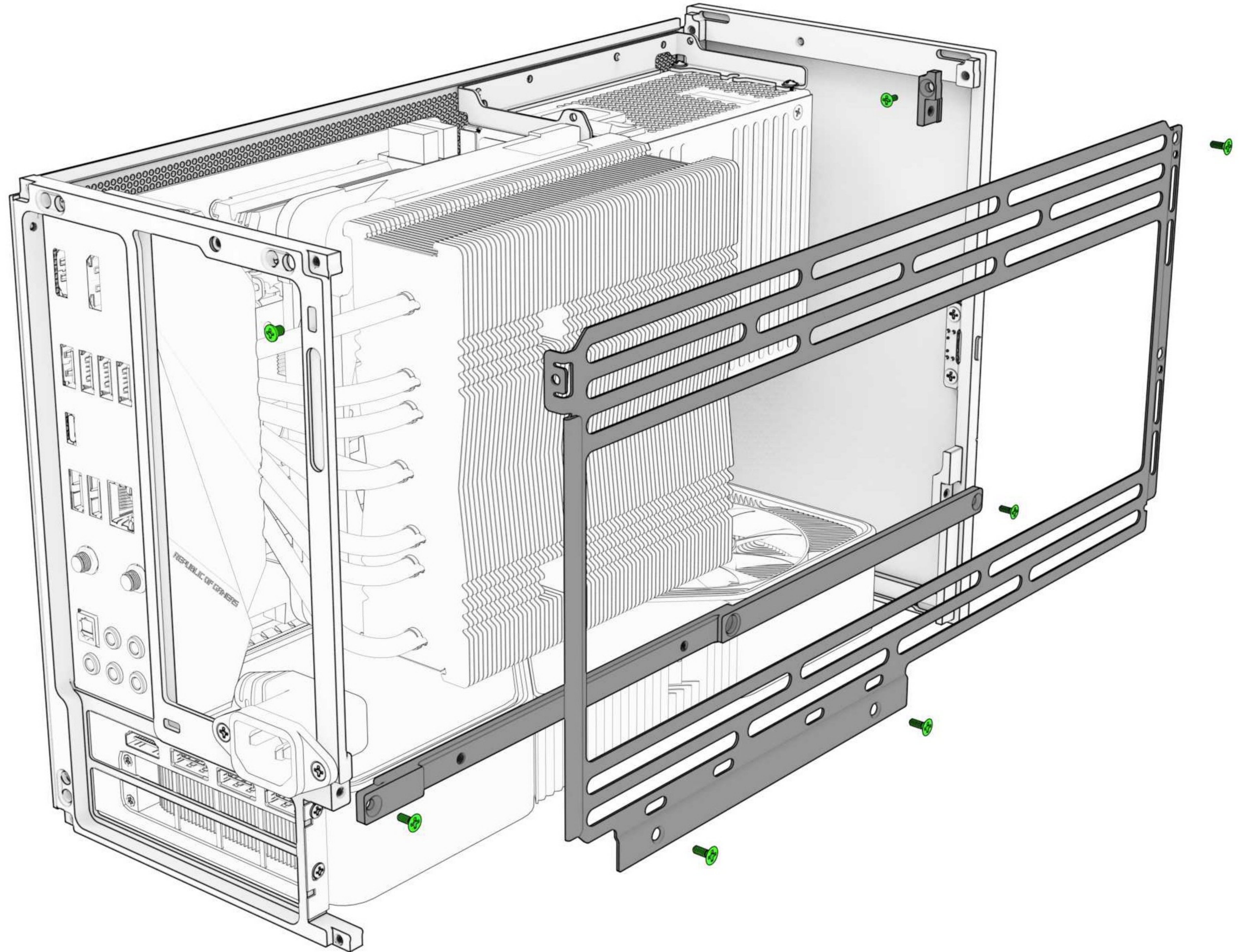


Fasteners:
M3-4 x 2



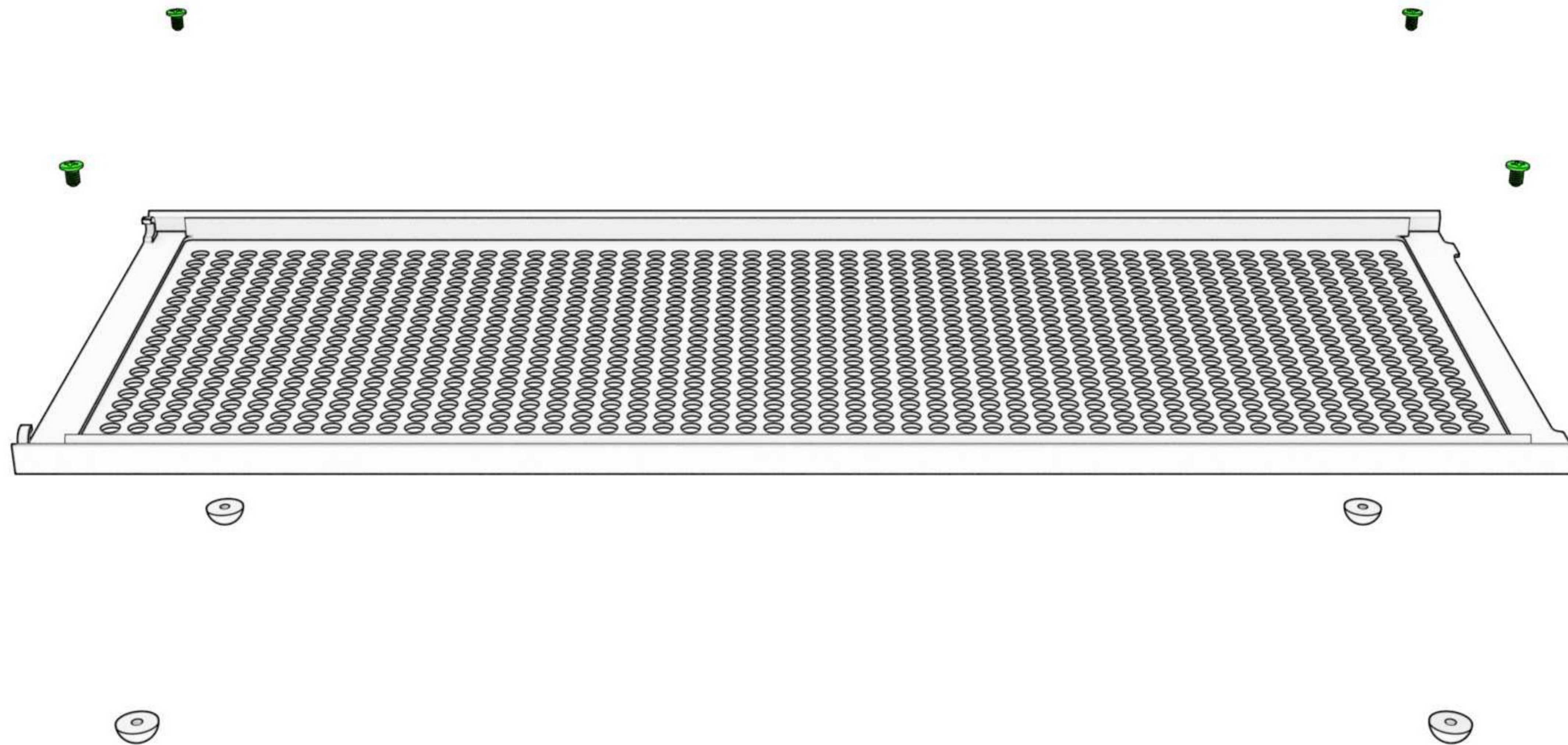
Fasteners:

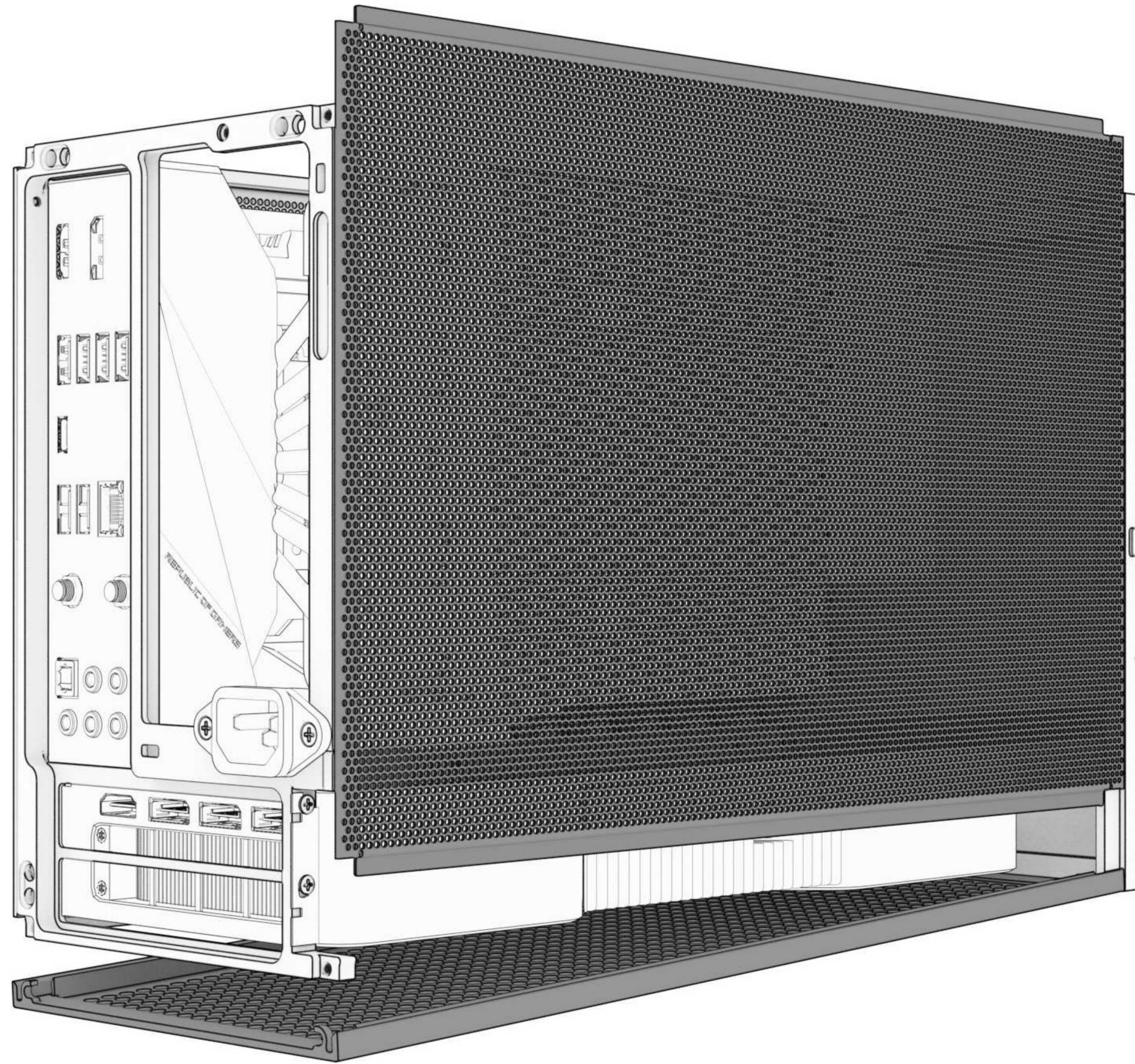
M3-5 x 1
CSM3-5 x 3
CSM3-8 x 3



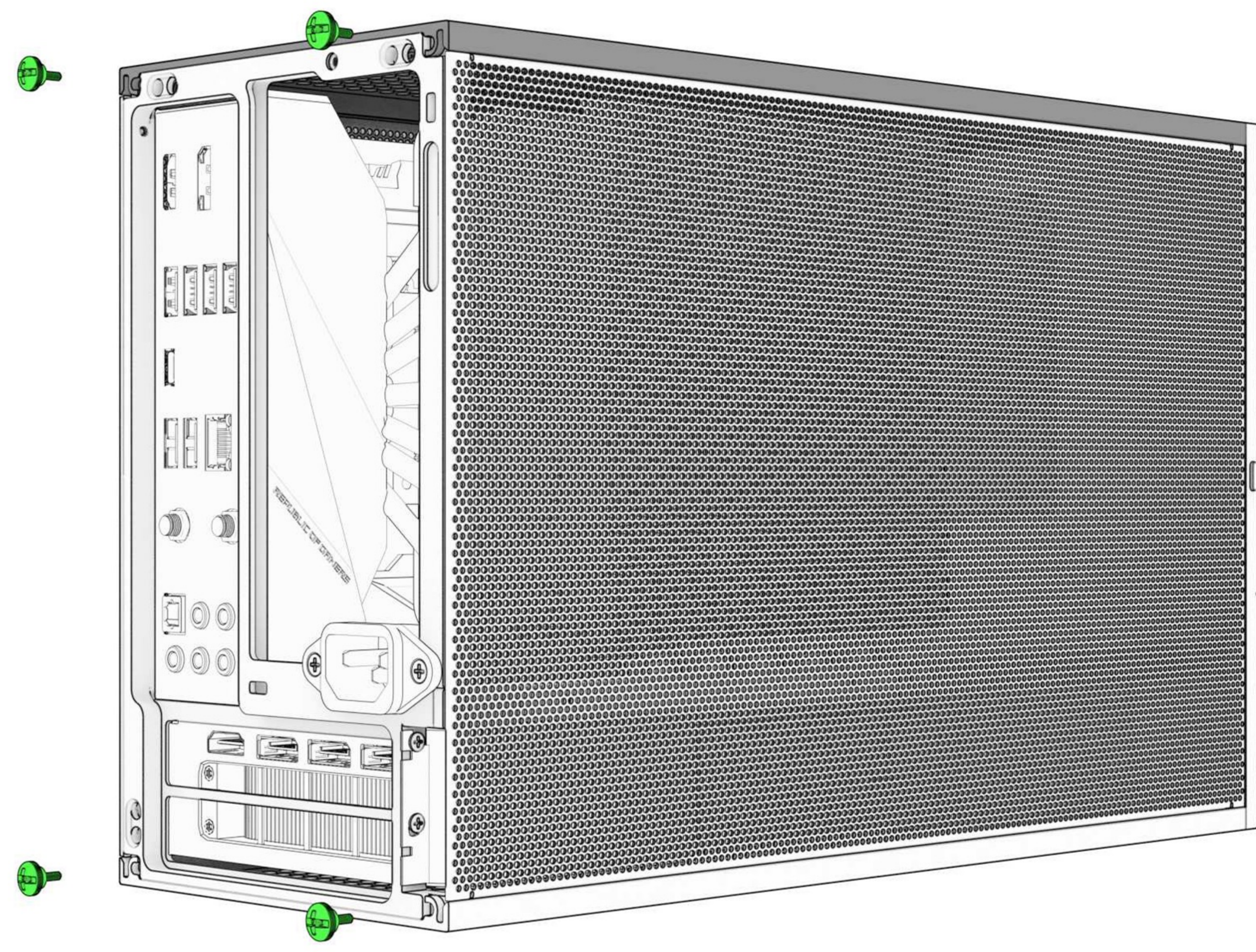
T1-REF KIT

Fasteners:
CSM3-5 x 4

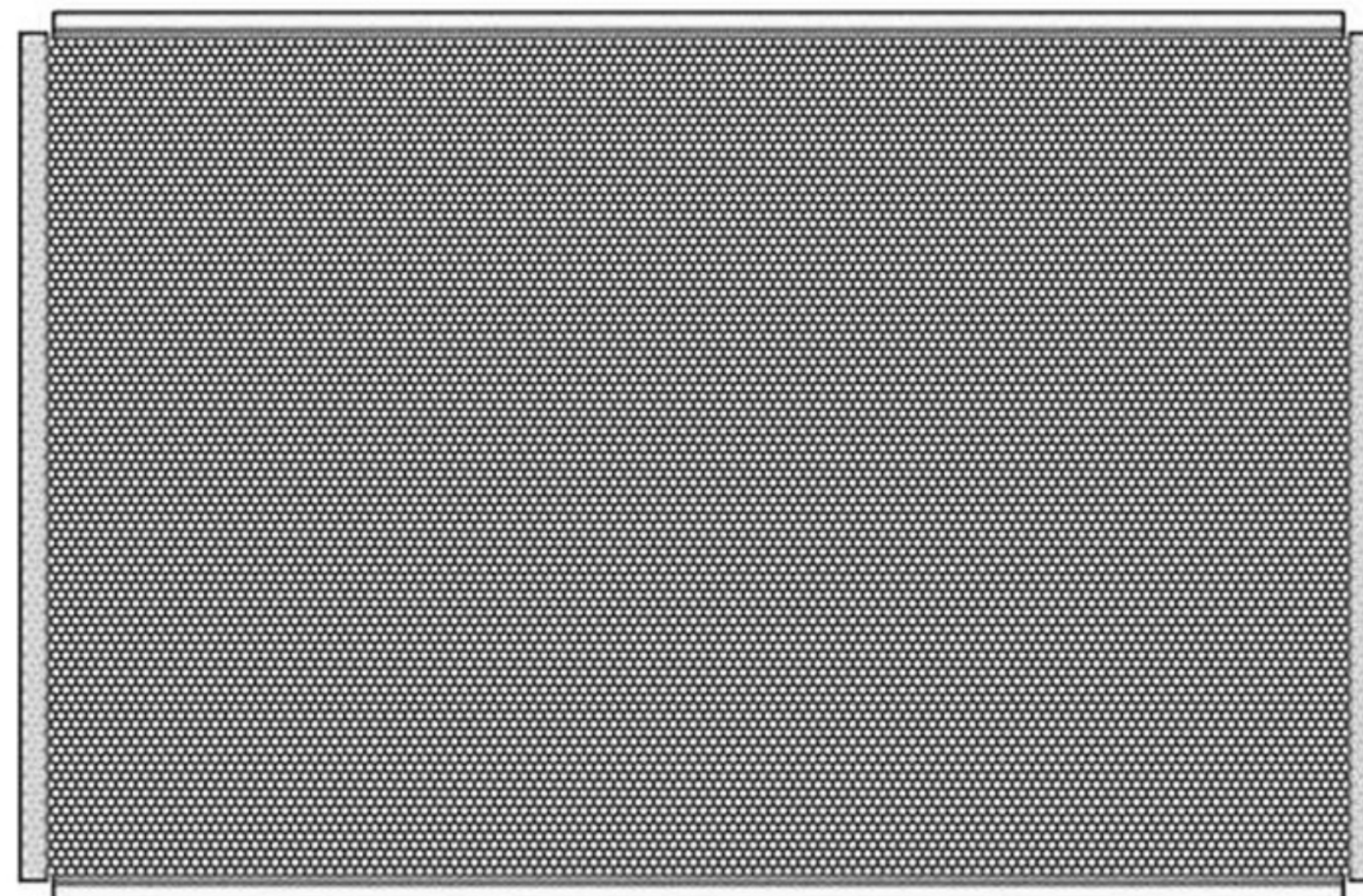
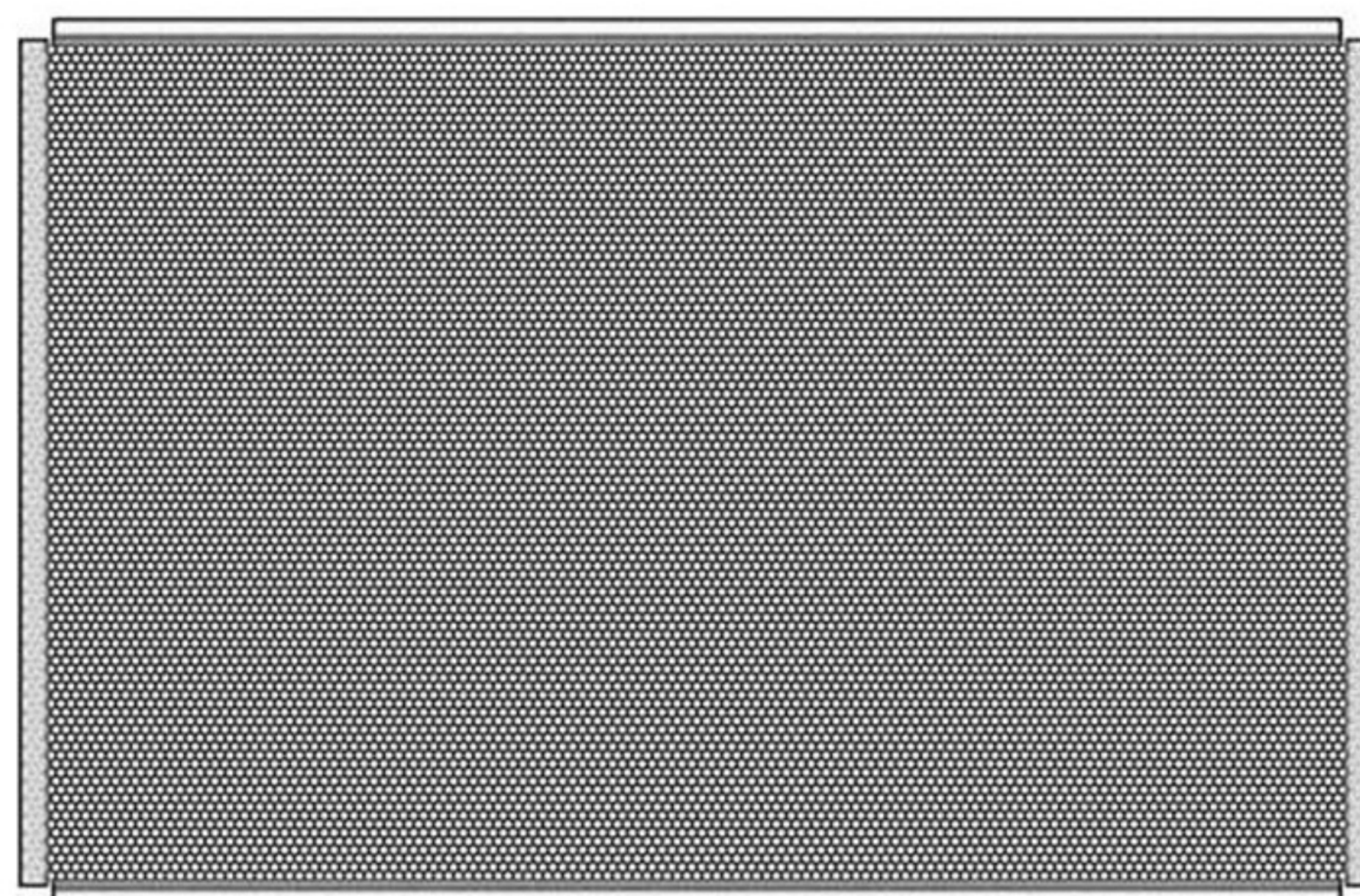




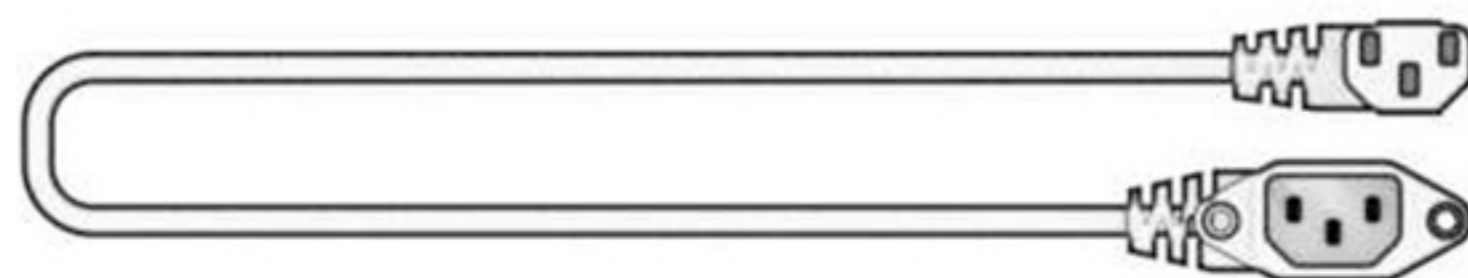
**Fasteners:
THUMB-6 x 4**



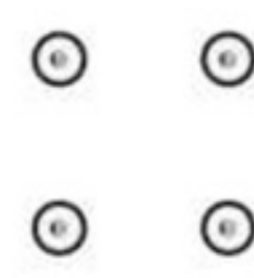
In The Box:



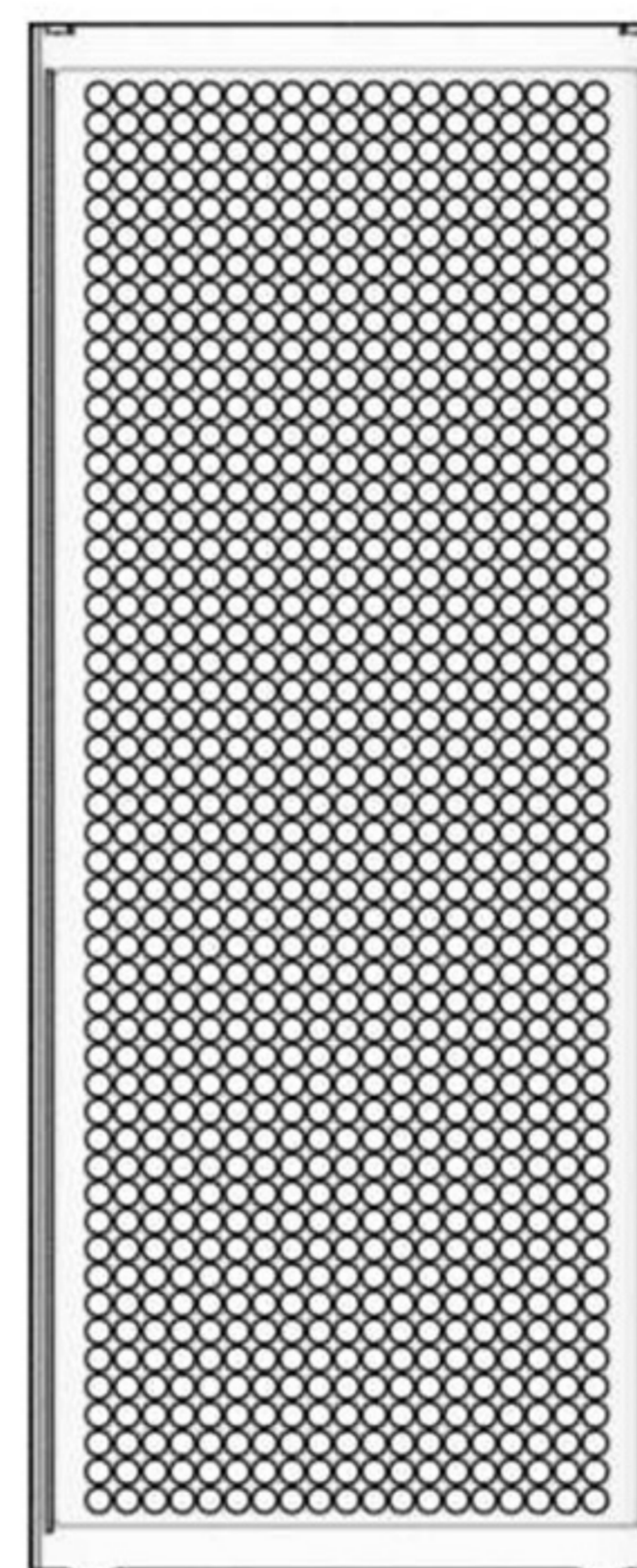
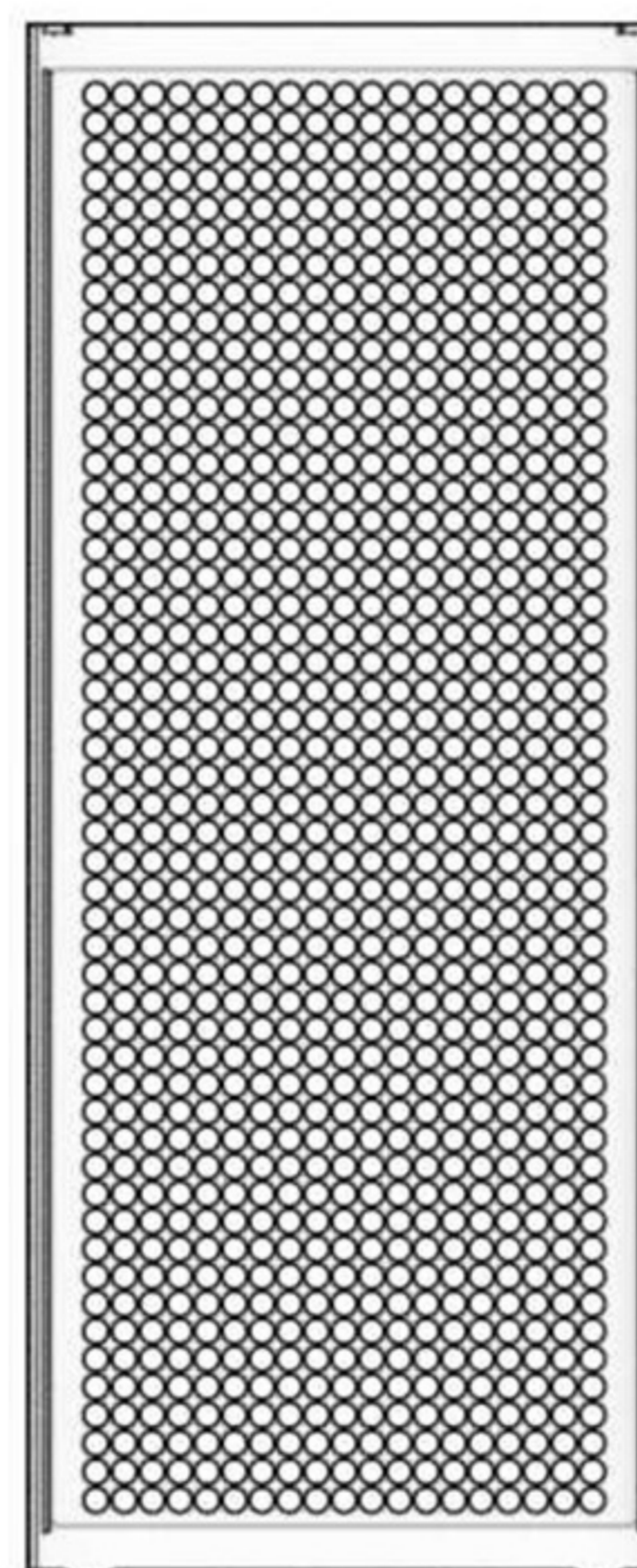
Mesh Side Panel x2



PSU Inlet Cable



Case Feet



Top/Bottom Panel x2



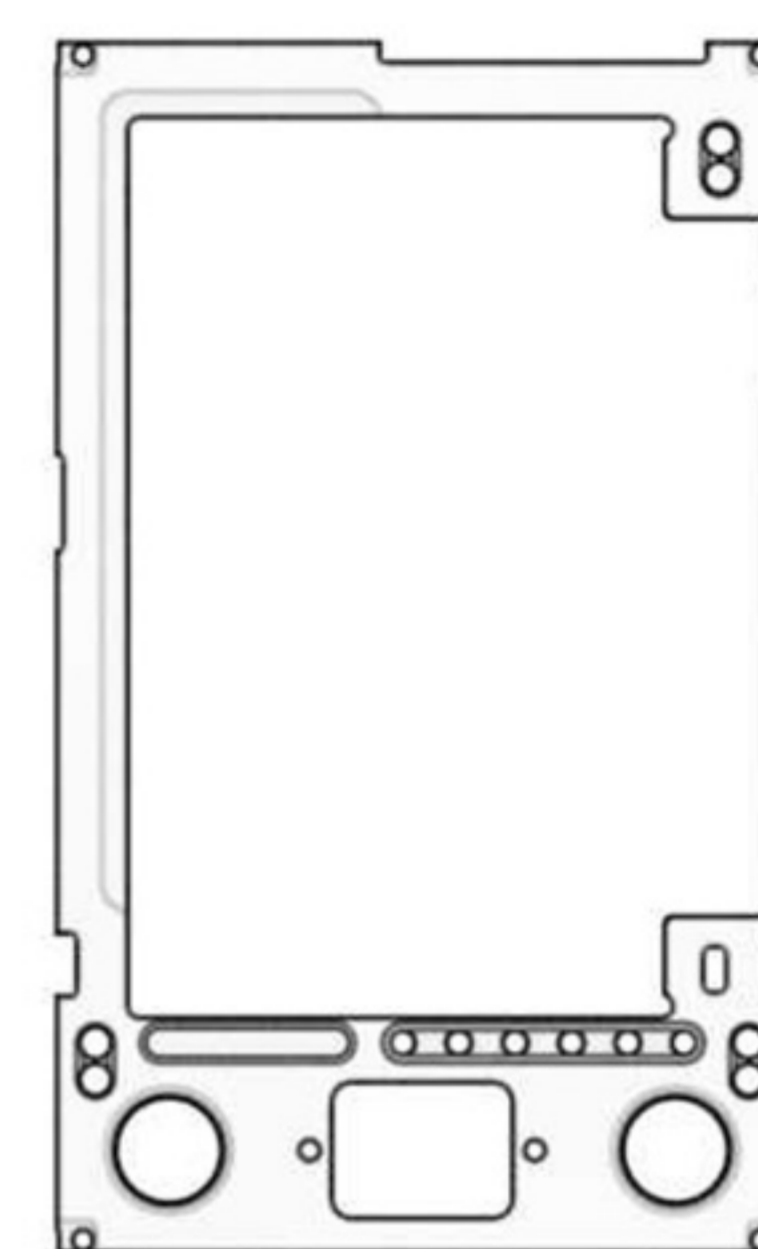
Fan Bracket x2



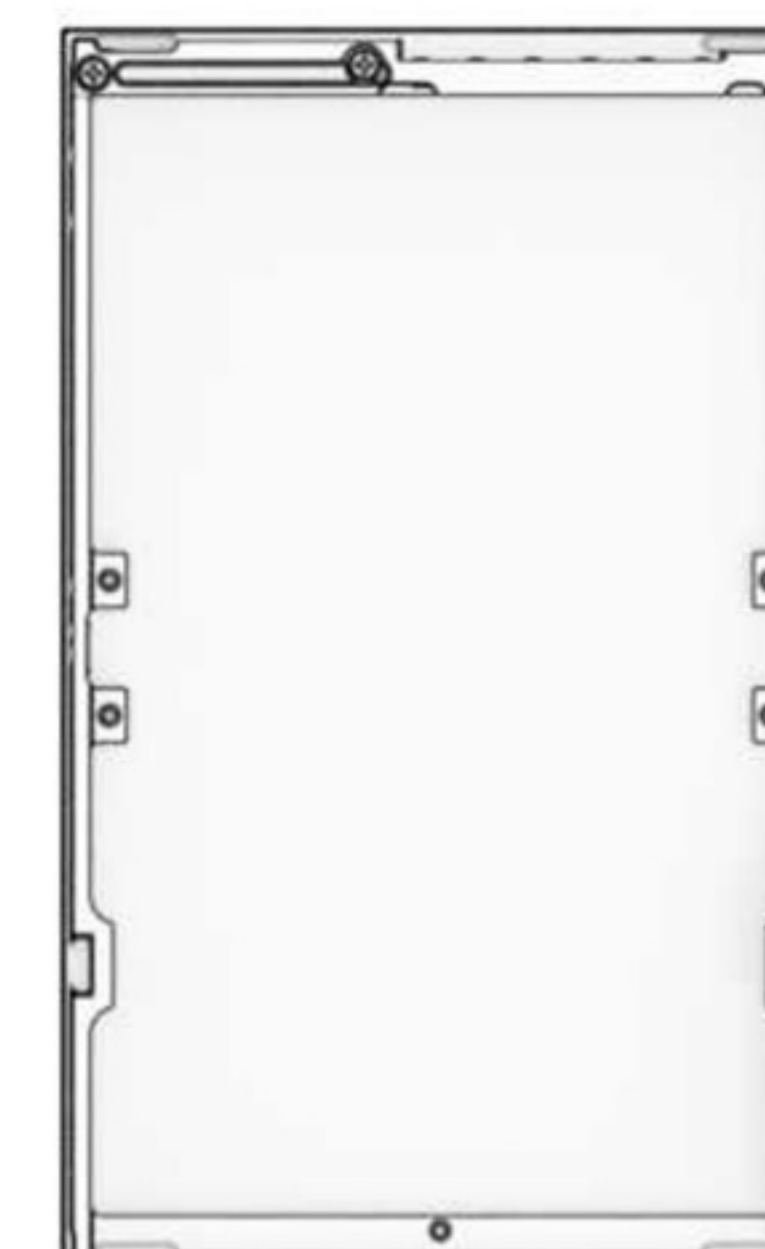
AIO Bracket x2



SFX PSU Bracket



Rear Panel SW



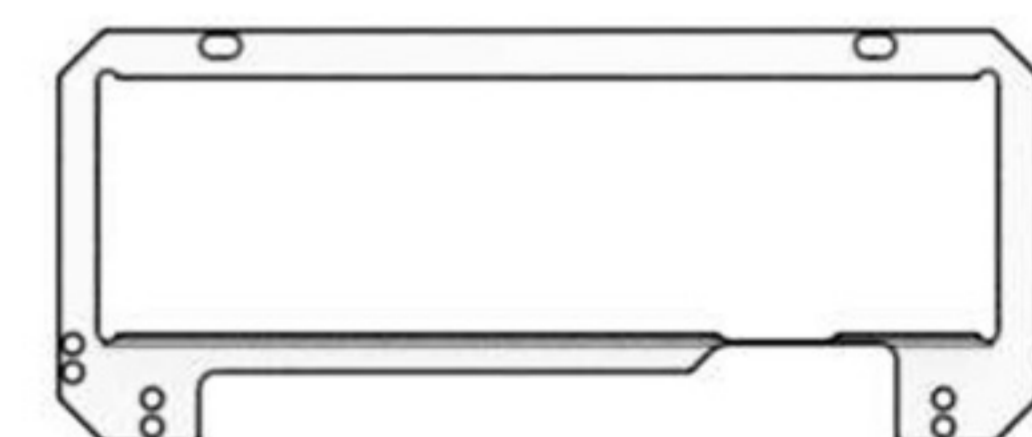
Front Panel SW



Top Strut



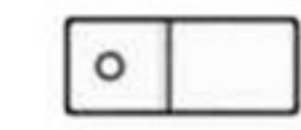
Side Strut x2



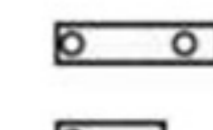
Shift IO Bracket



Riser Bar



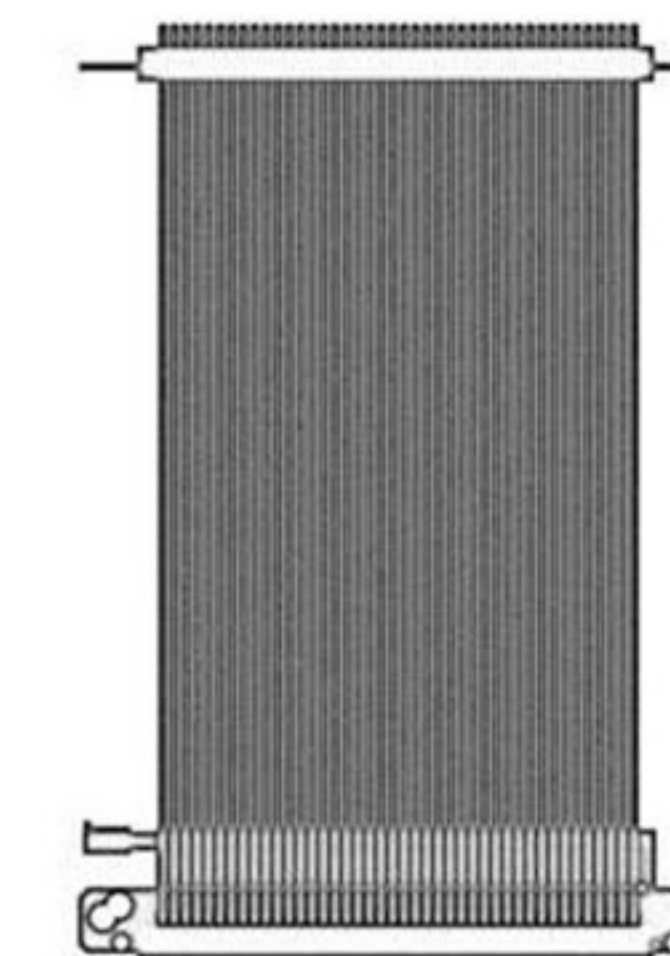
IO Cover x2



GPU Lock Bar



Power Button



PCIe Riser

CAUTION: do NOT overtighten screws. Once resistance is encountered, do not tighten more than one-quarter turn.



M3 Thumbscrew (THUMB-6)



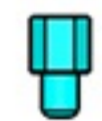
M3 Flat Head Screw (M3-4)



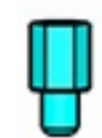
M3 Countersunk Screw (CSM3-5)



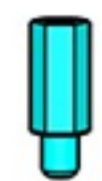
M3 Countersunk Screw (CSM3-8)



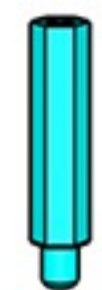
M3 Standoffs (STANDOFF-5)



M3 Standoffs (STANDOFF-6, for motherboard ONLY)



M3 Standoffs (STANDOFF-10)

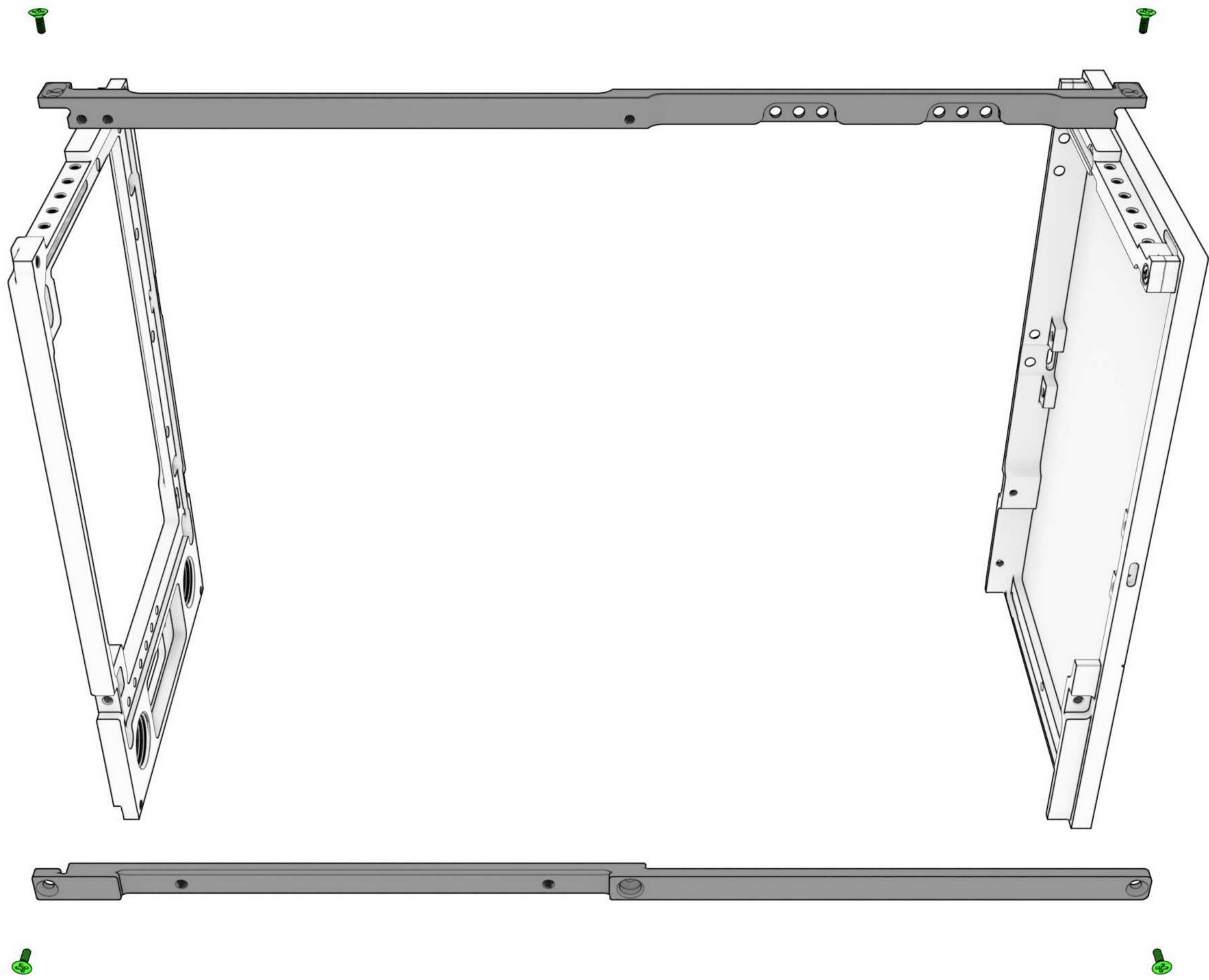


M3 Standoffs (STANDOFF-20)

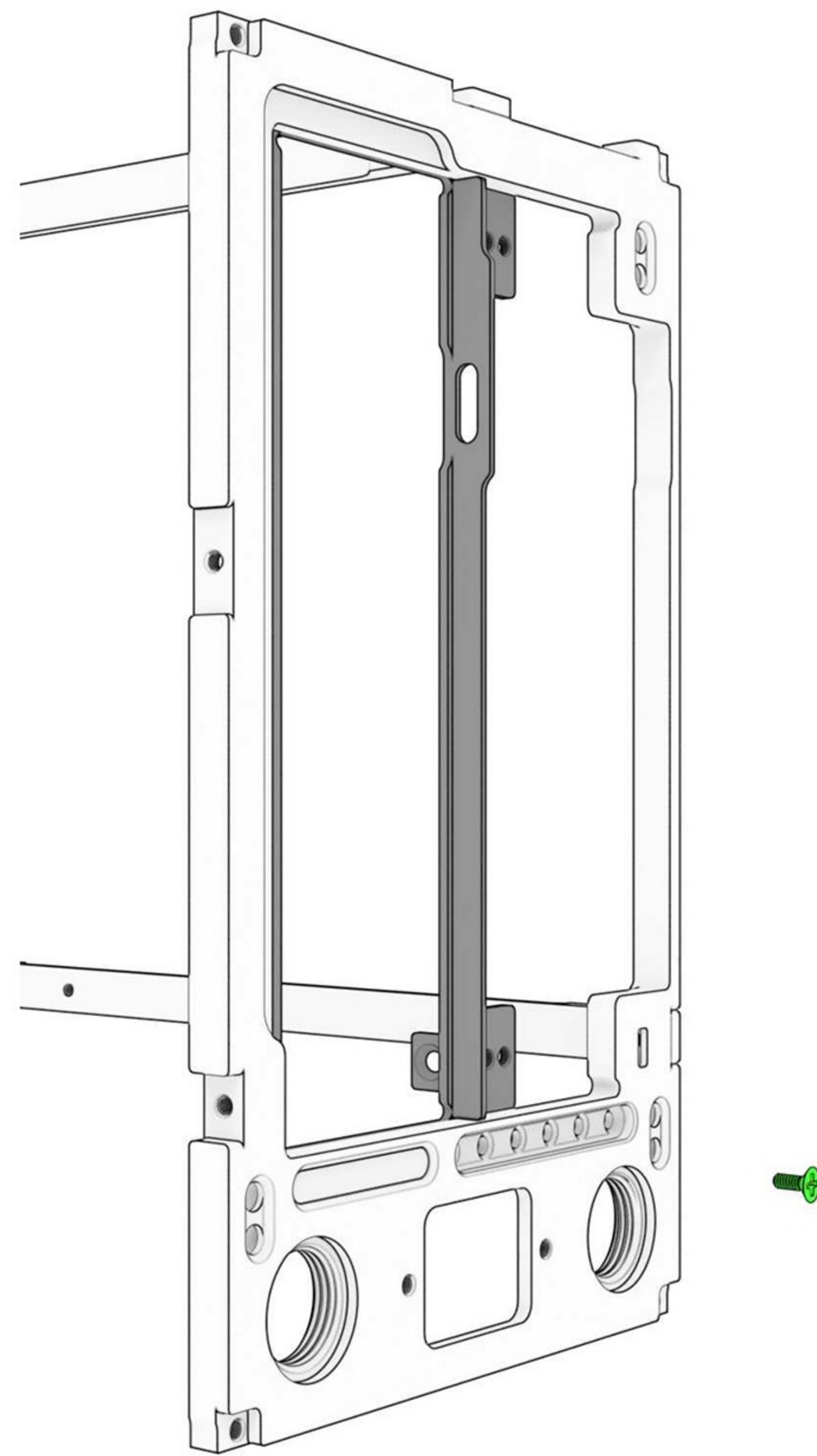
Fasteners:

T1-SW KIT

Fasteners:
CSM3-8 x 4



Fasteners:
CSM3-5 x 1



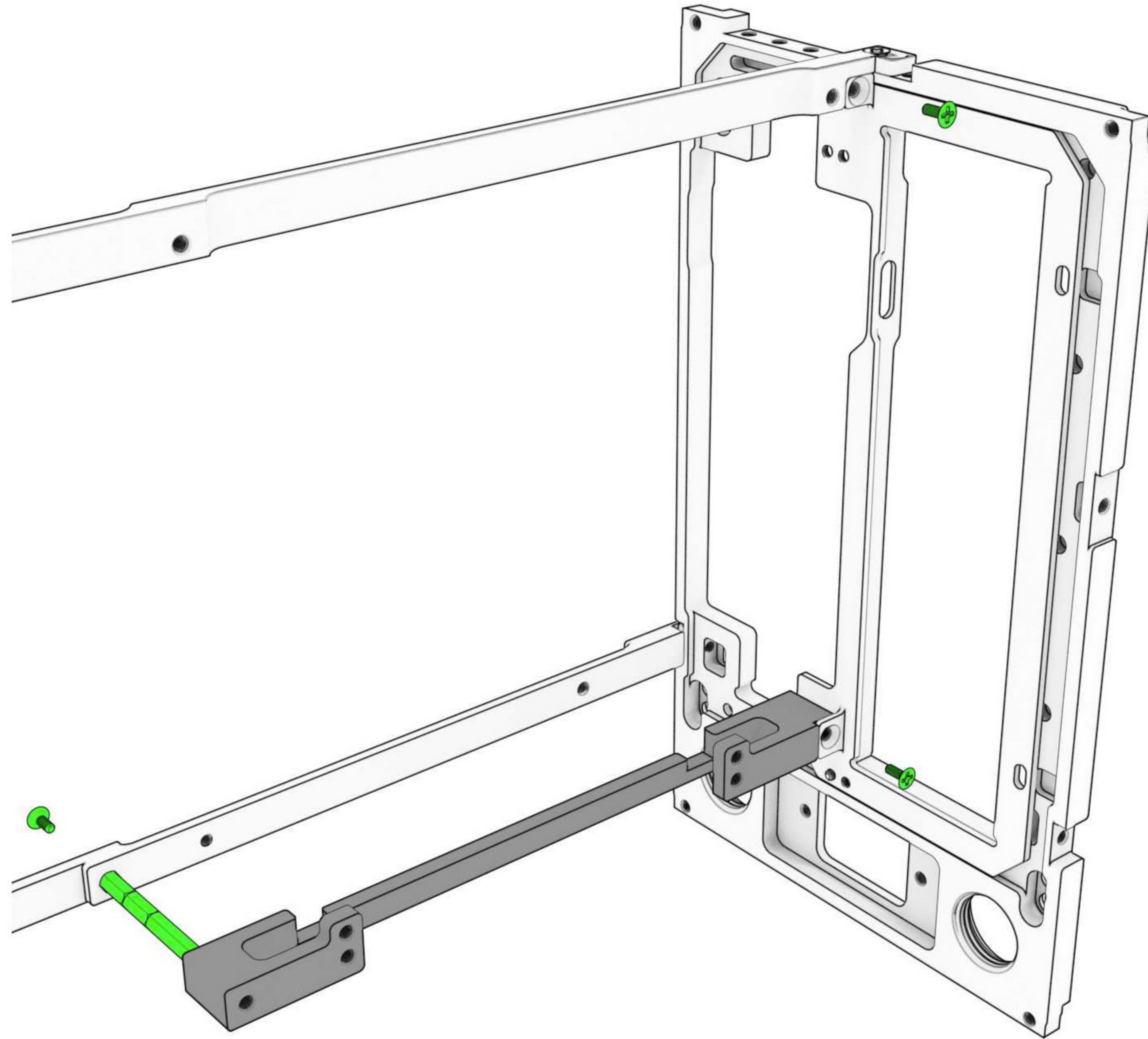
T1-SW KIT

Fasteners:

CSM3-5 x 1
CSM3-8 x 2

STANDOFF-10 x 2
STANDOFF-20 x 1

* Standoffs used here varies with the spacing allocated for the GPU



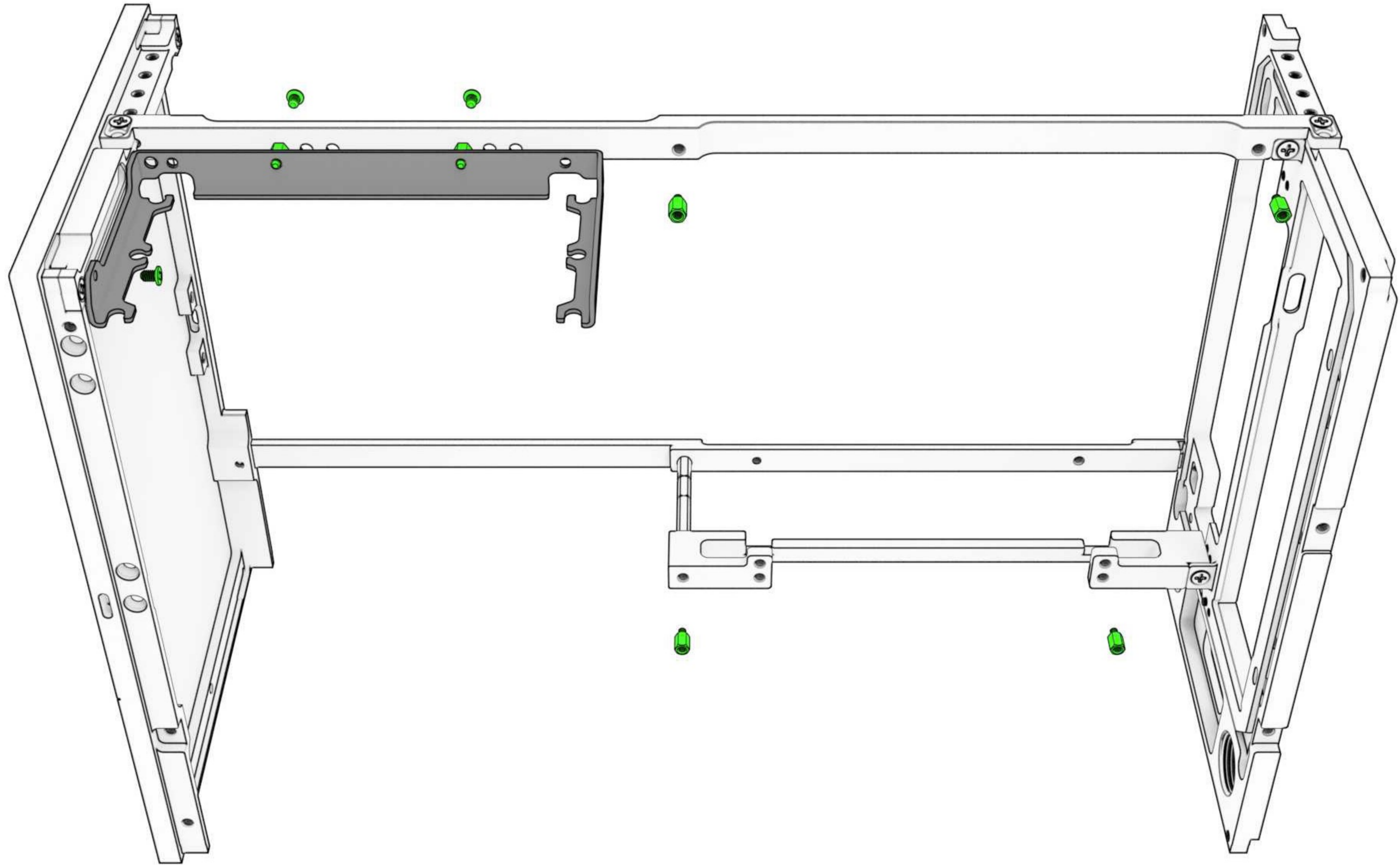
T1-SW KIT

Fasteners:

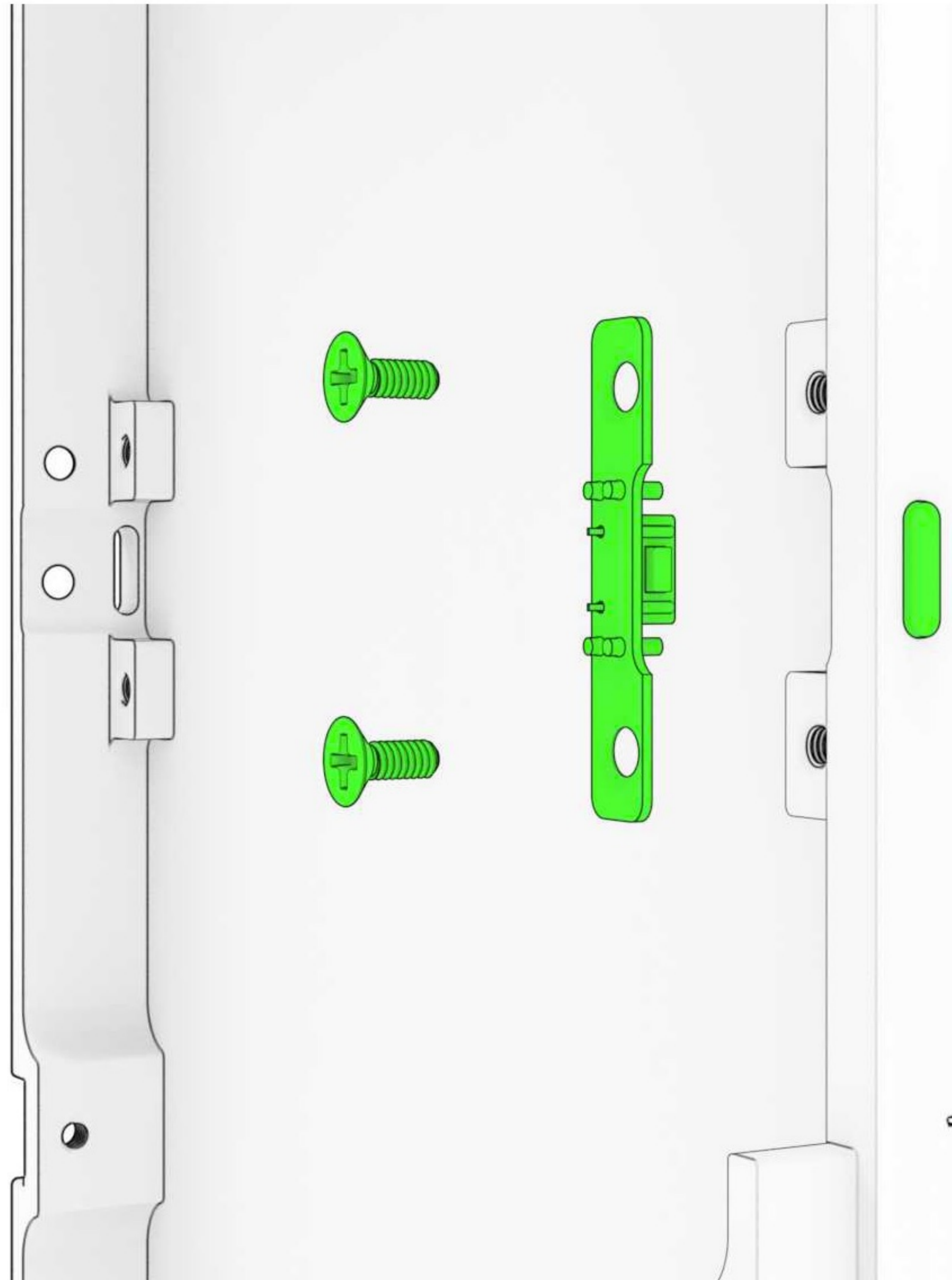
M3-4 x 3

STANDOFF-6 x 4
STANDOFF-5 x 2

* STANDOFF-5 x2 used for the Power Supply Bracket varies with the spacing allocated for the GPU

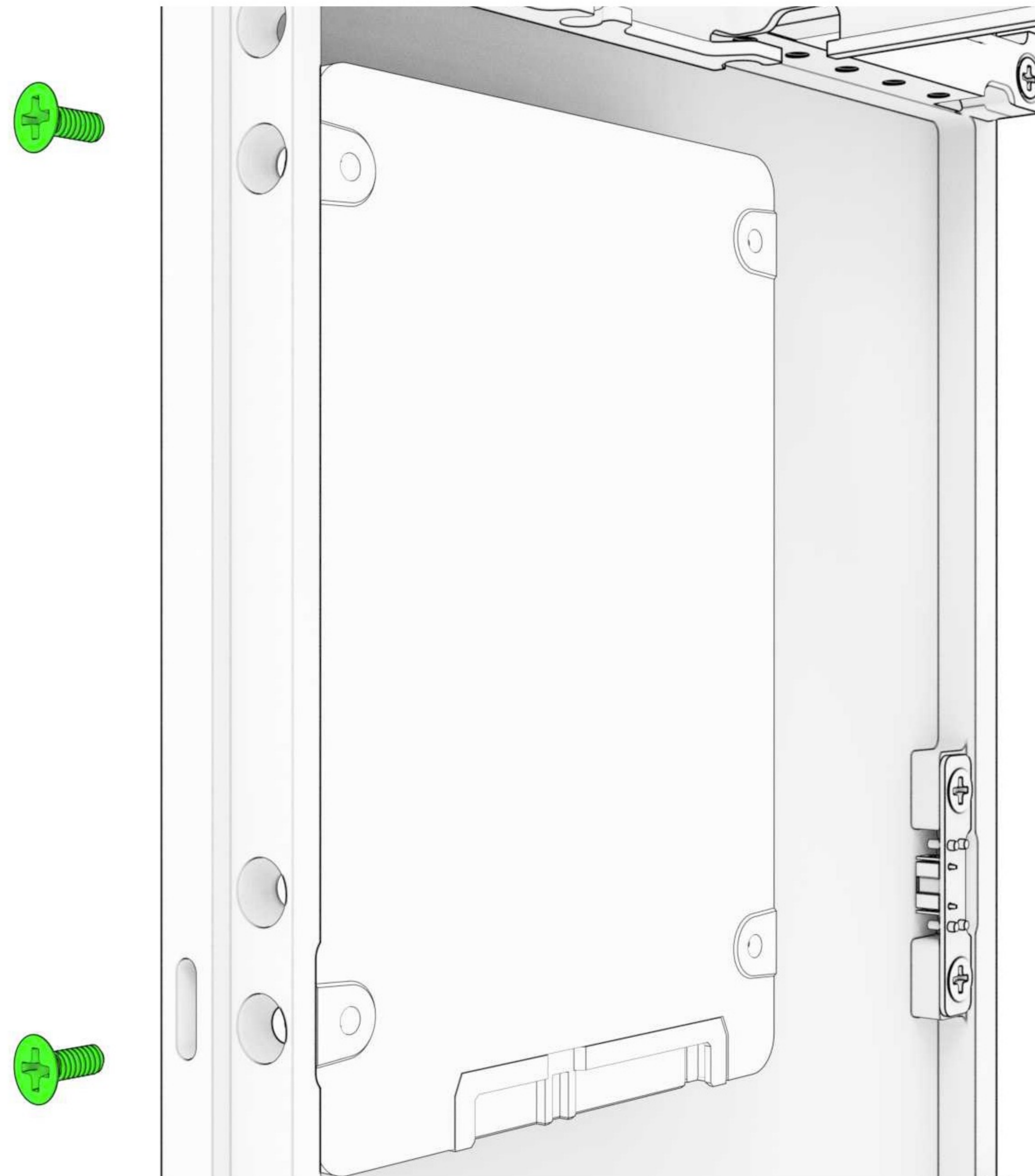


Fasteners:
CSM3-5 x 2

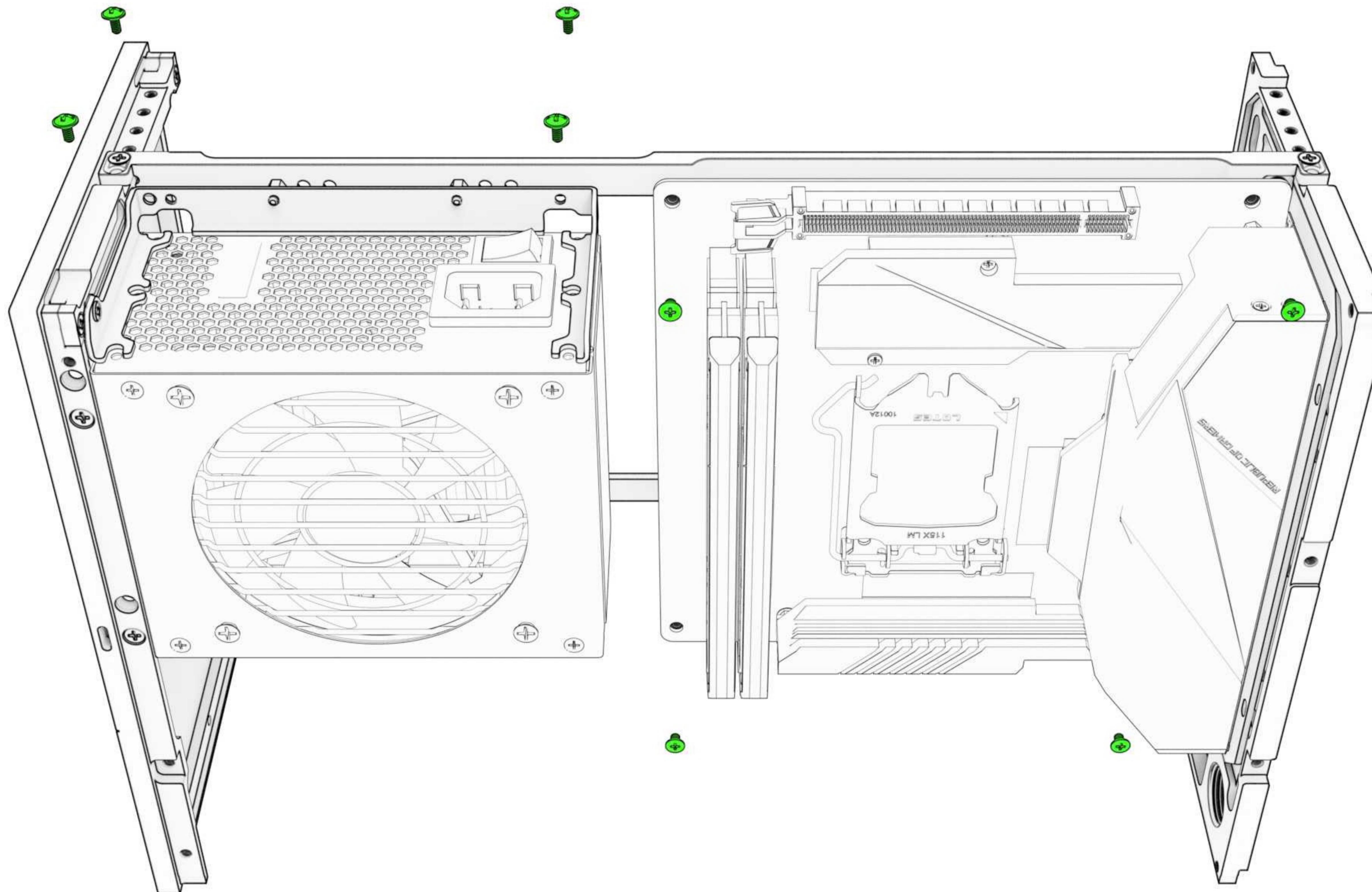


T1-SW KIT

Fasteners:
CSM3-5 x 2



T1-SW KIT



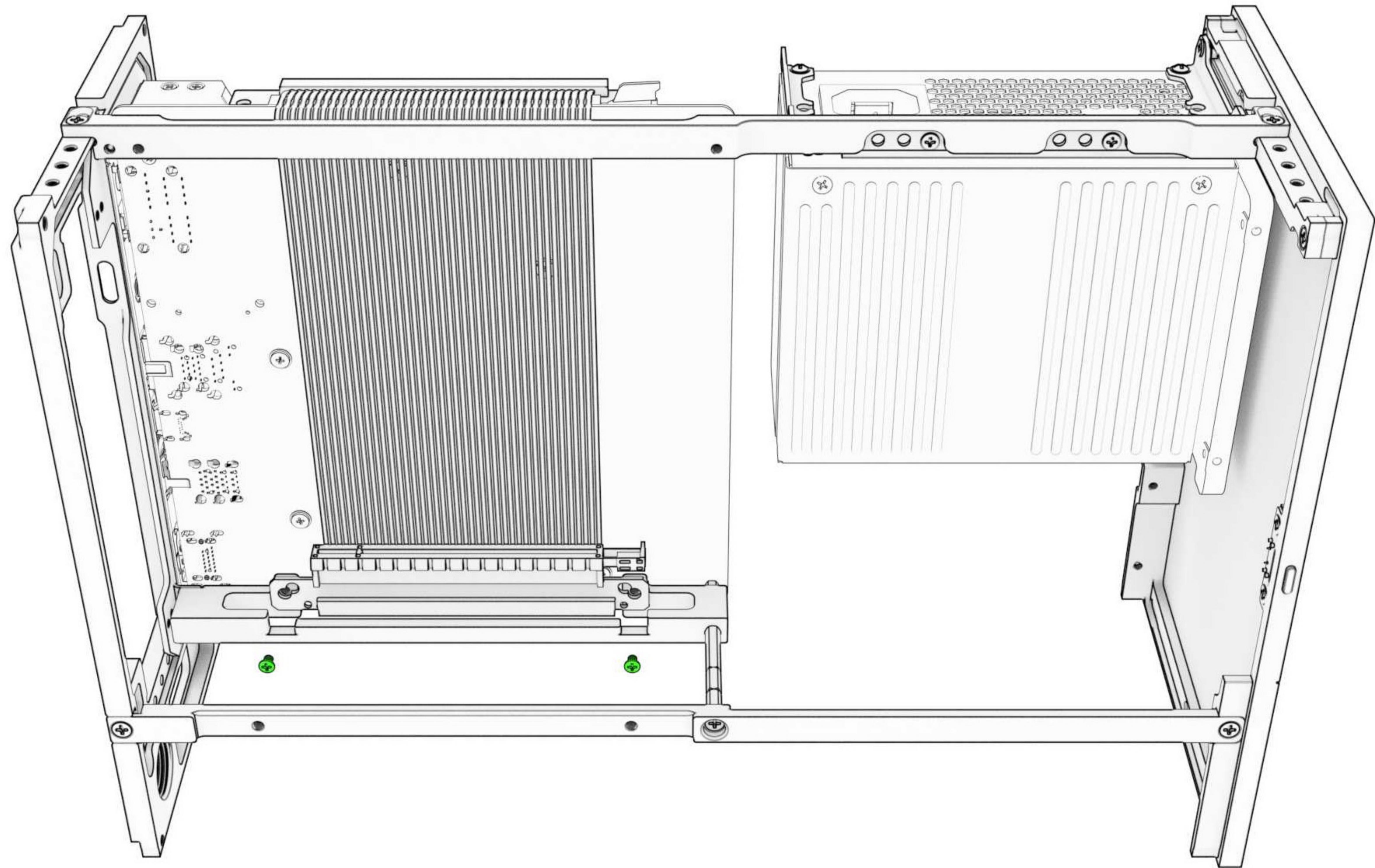
Fasteners:

M3-4 x 4

#6-32 x 4

* #6-32 used for the power supply installation is not included

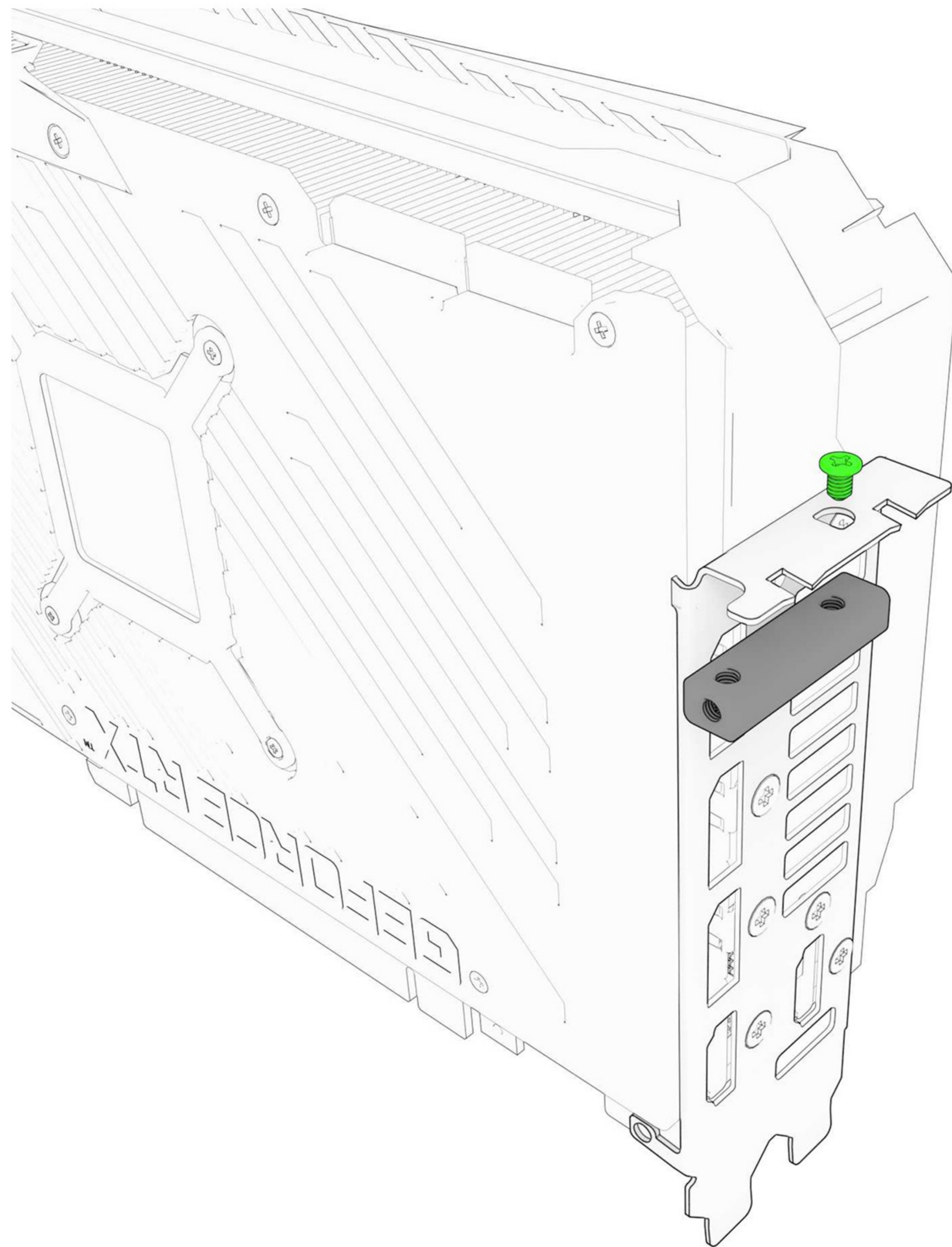
**Fasteners:
M3-4 x 2**



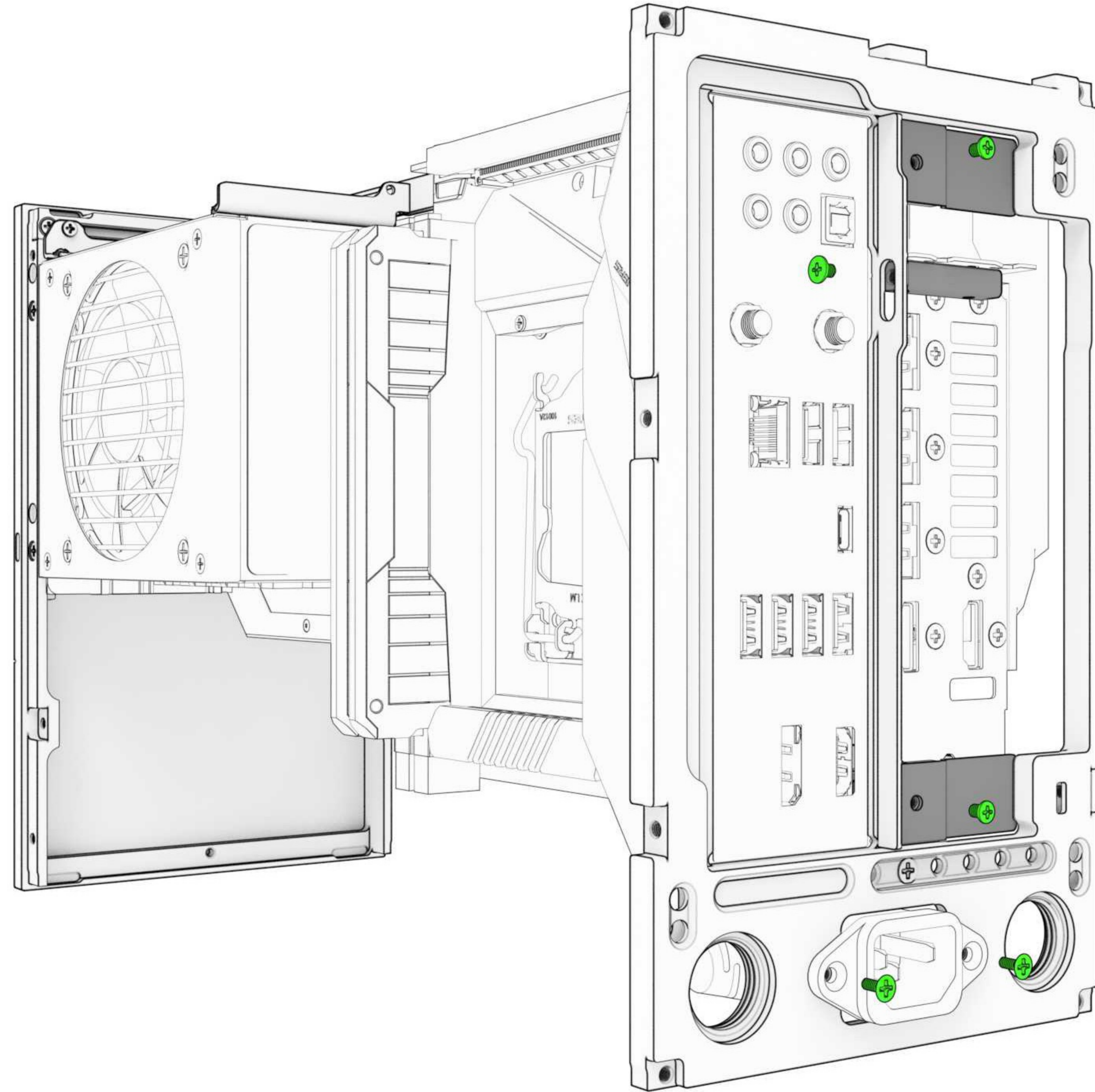
T1-SW KIT

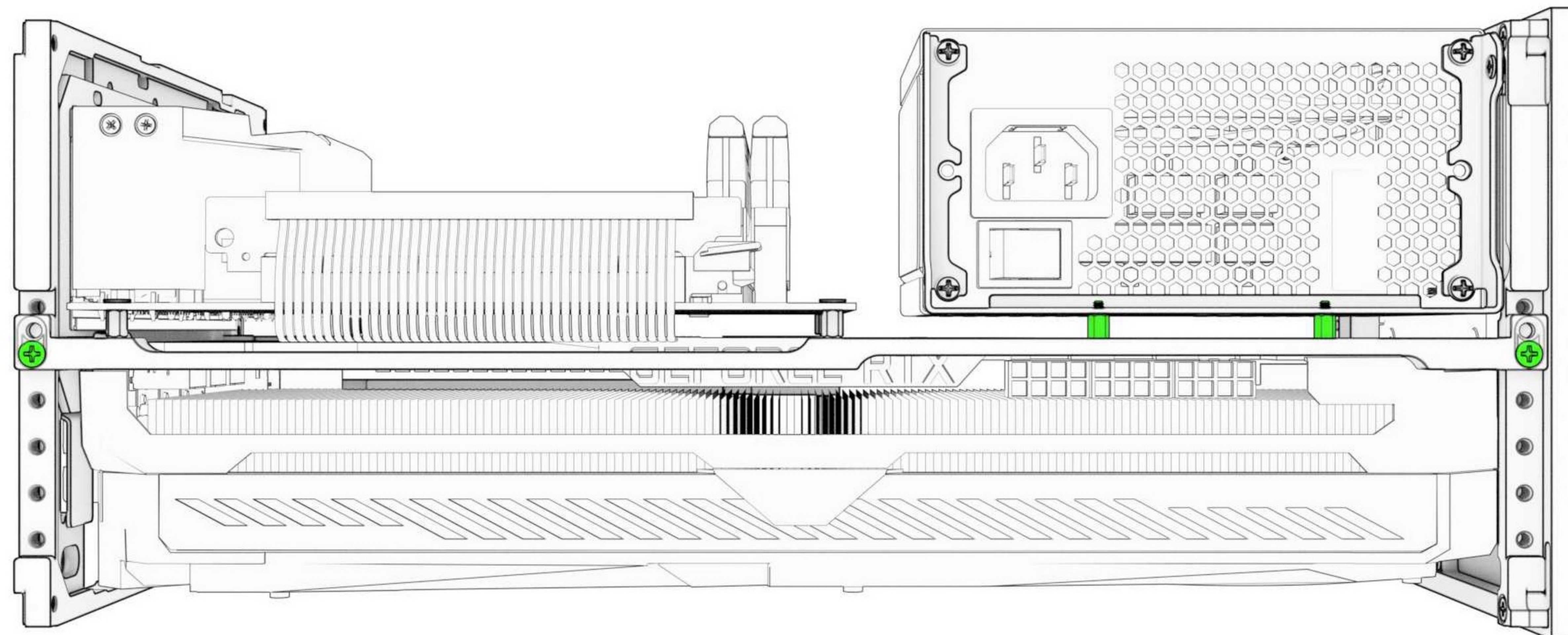
Fasteners:

M3-4 x 1



Fasteners:
M3-4 x 3
CSM3-8 x 2



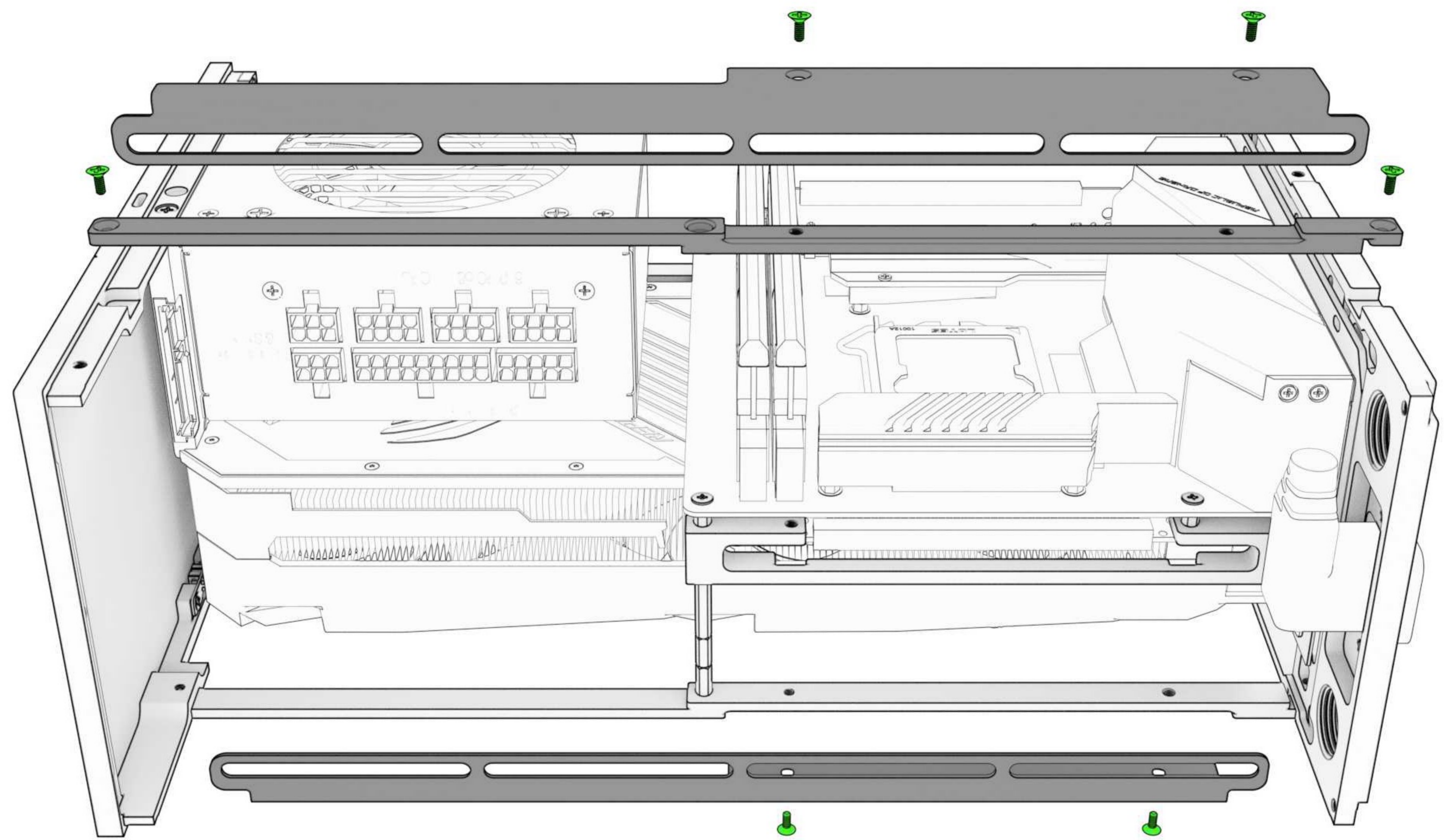


Adjust the spacing between the Motherboard and GPU side to optimize for system cooling and compatibility.

Adjust the spacing between the Power Supply and the GPU Backplate to optimize for GPU cooling.

T1-SW KIT

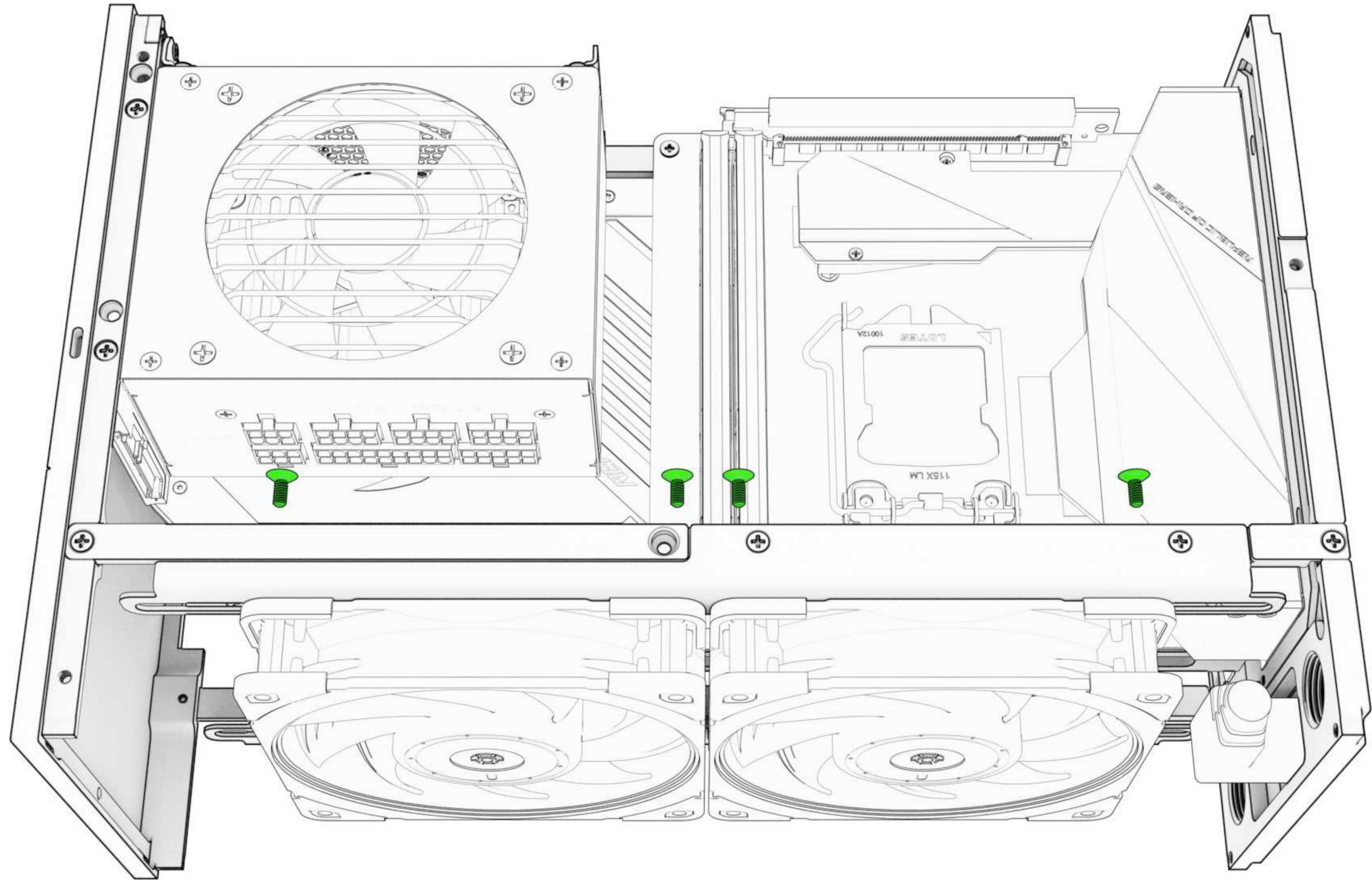
Fasteners:
CSM3-5 x 4
CSM3-8 x 2



Fasteners:

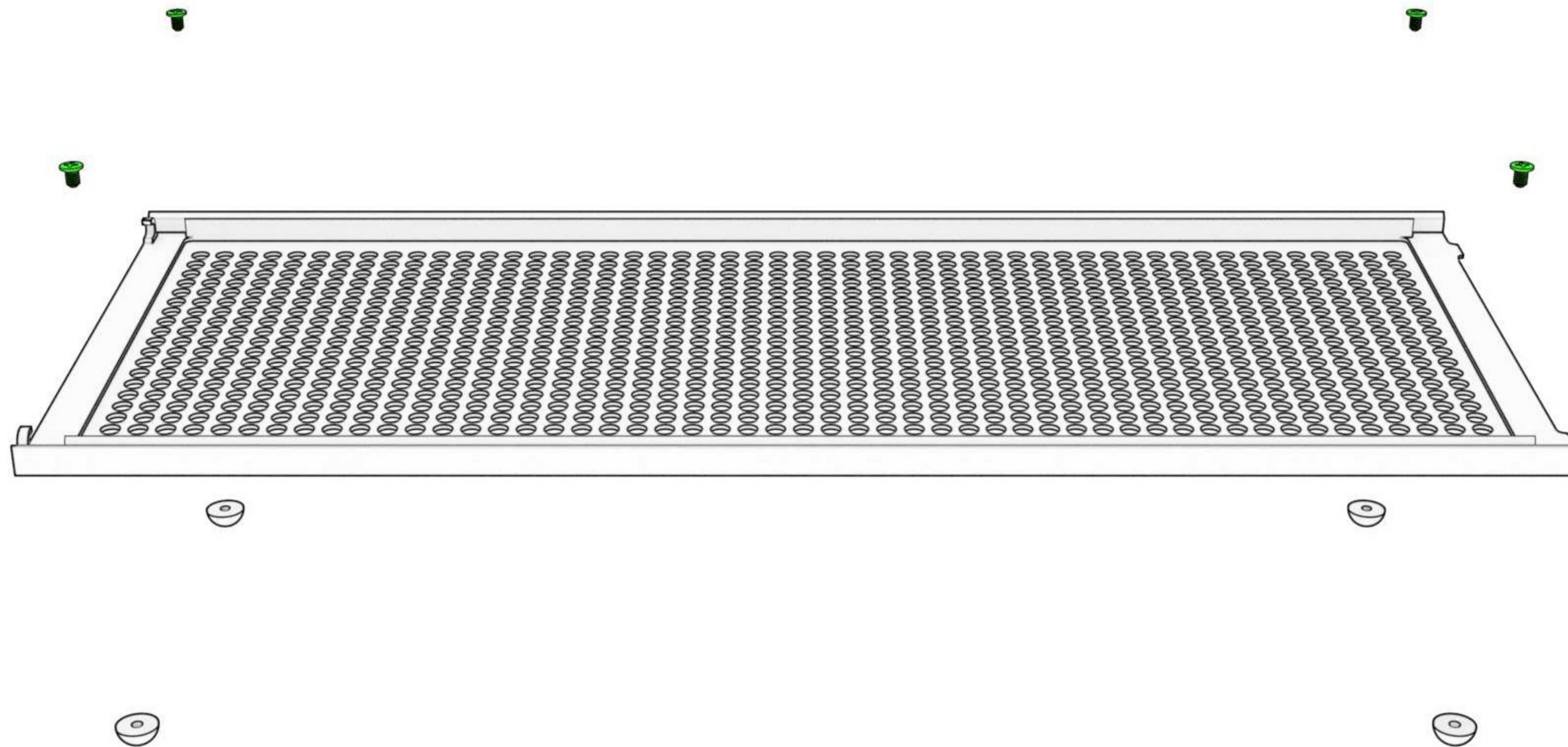
FAN M5 x 8

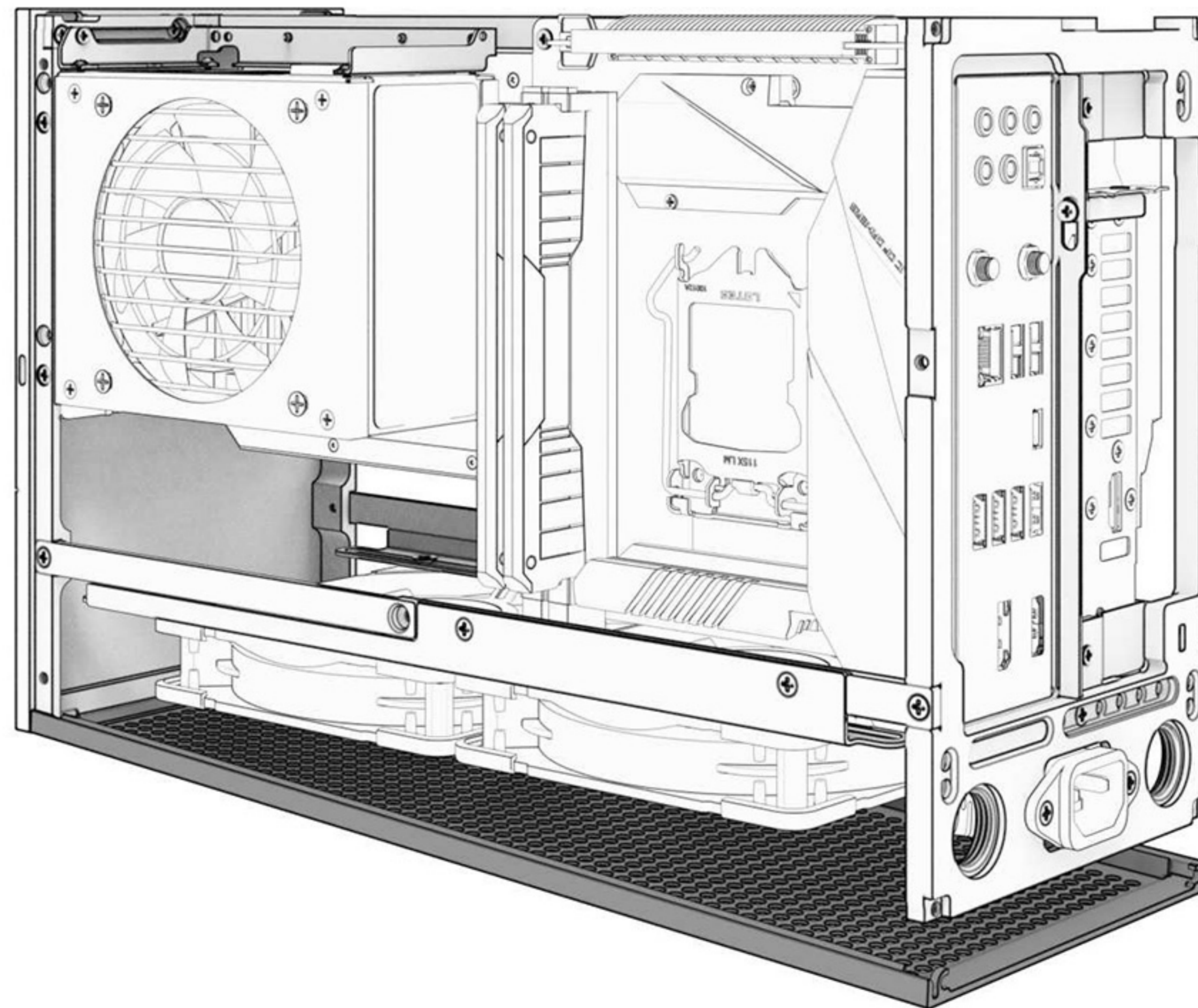
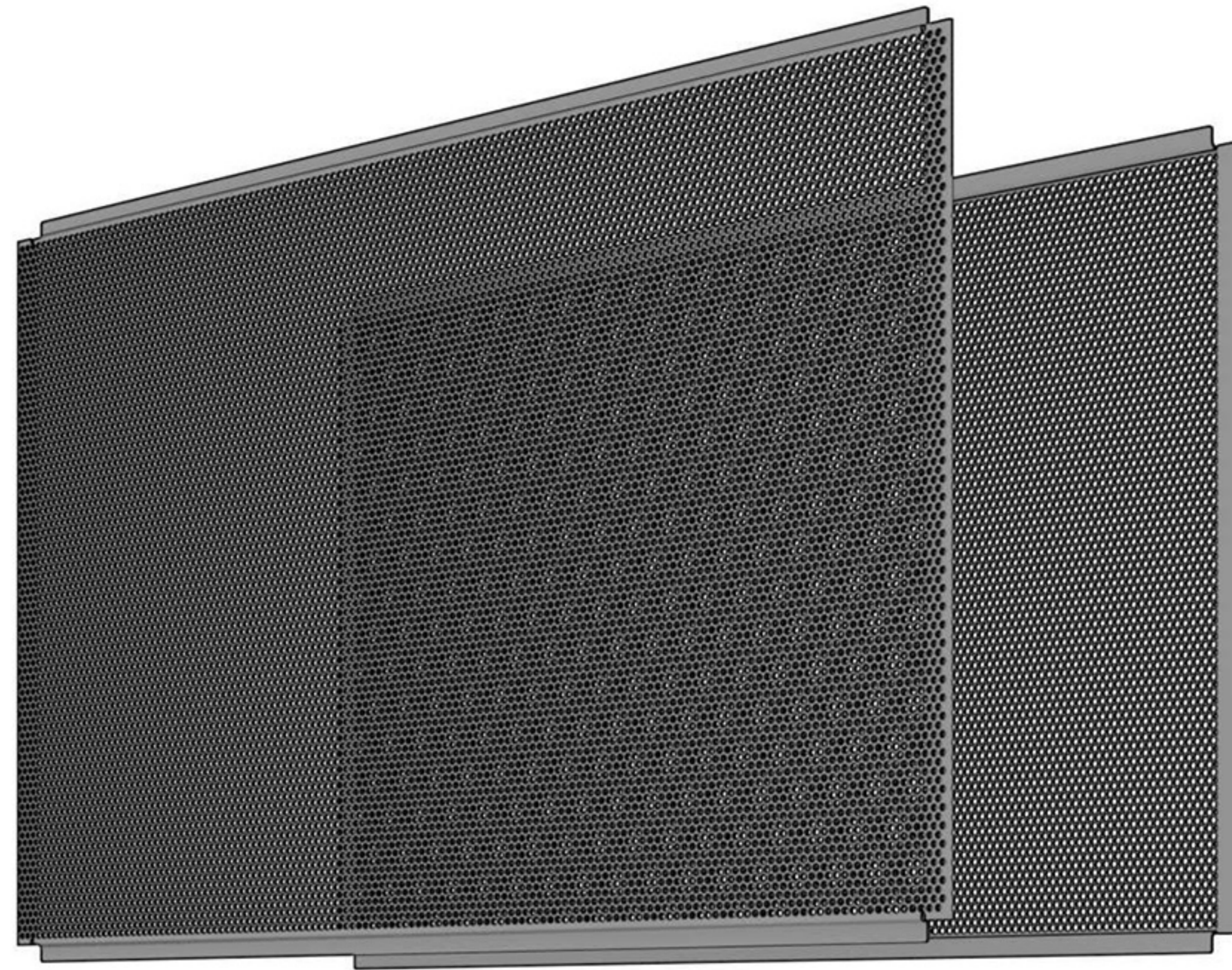
* FAN M5 used for the fan installation is not included



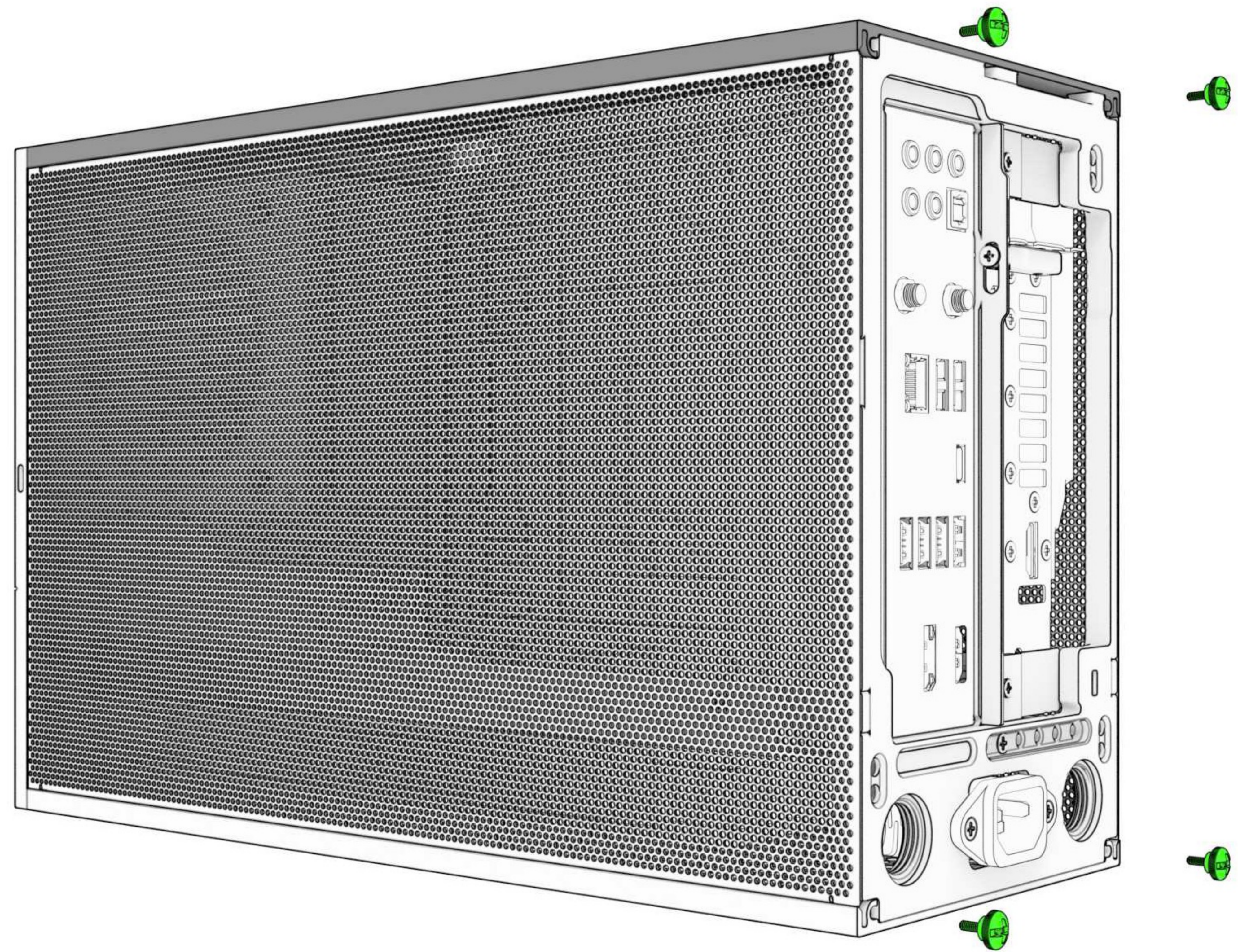
T1-SW KIT

Fasteners:
CSM3-5 x 4





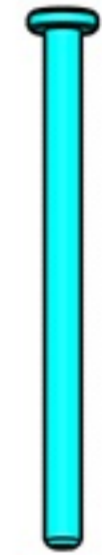
**Fasteners:
THUMB-6 x 4**



CAUTION: do NOT overtighten screws. Once resistance is encountered, do not tighten more than one-quarter turn.



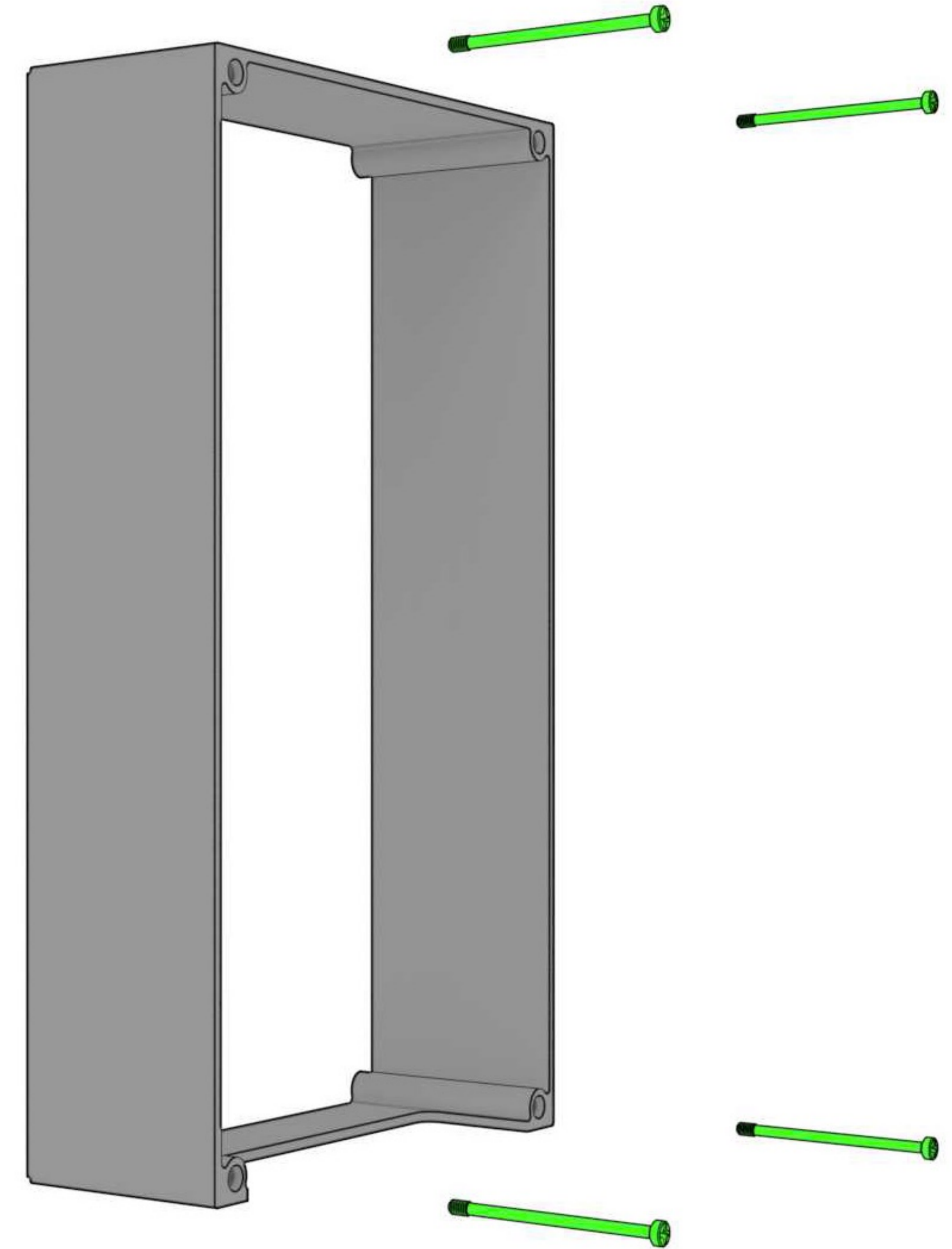
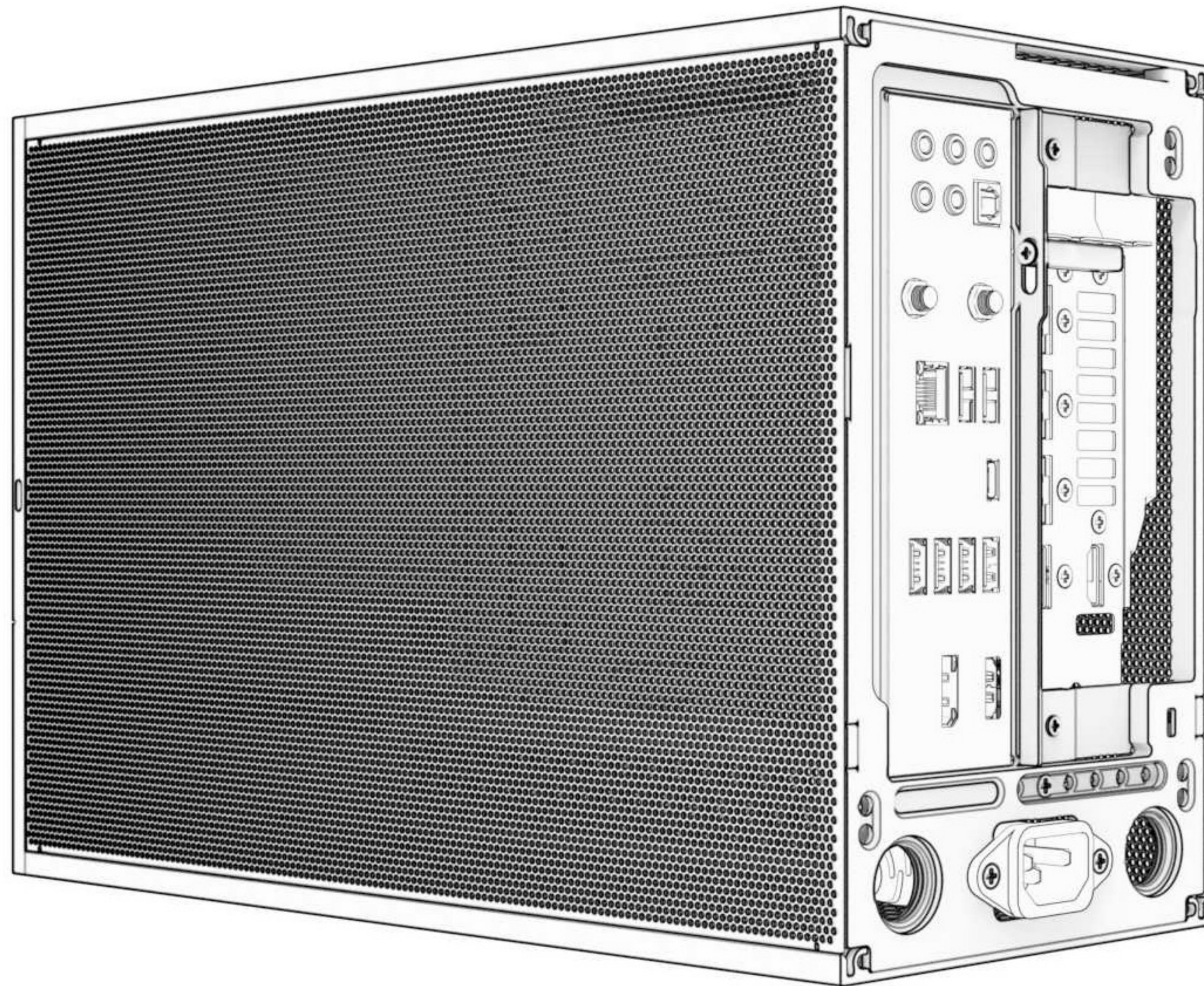
Rubber Feet (FT-T4.5, for Vertical Stand ONLY)

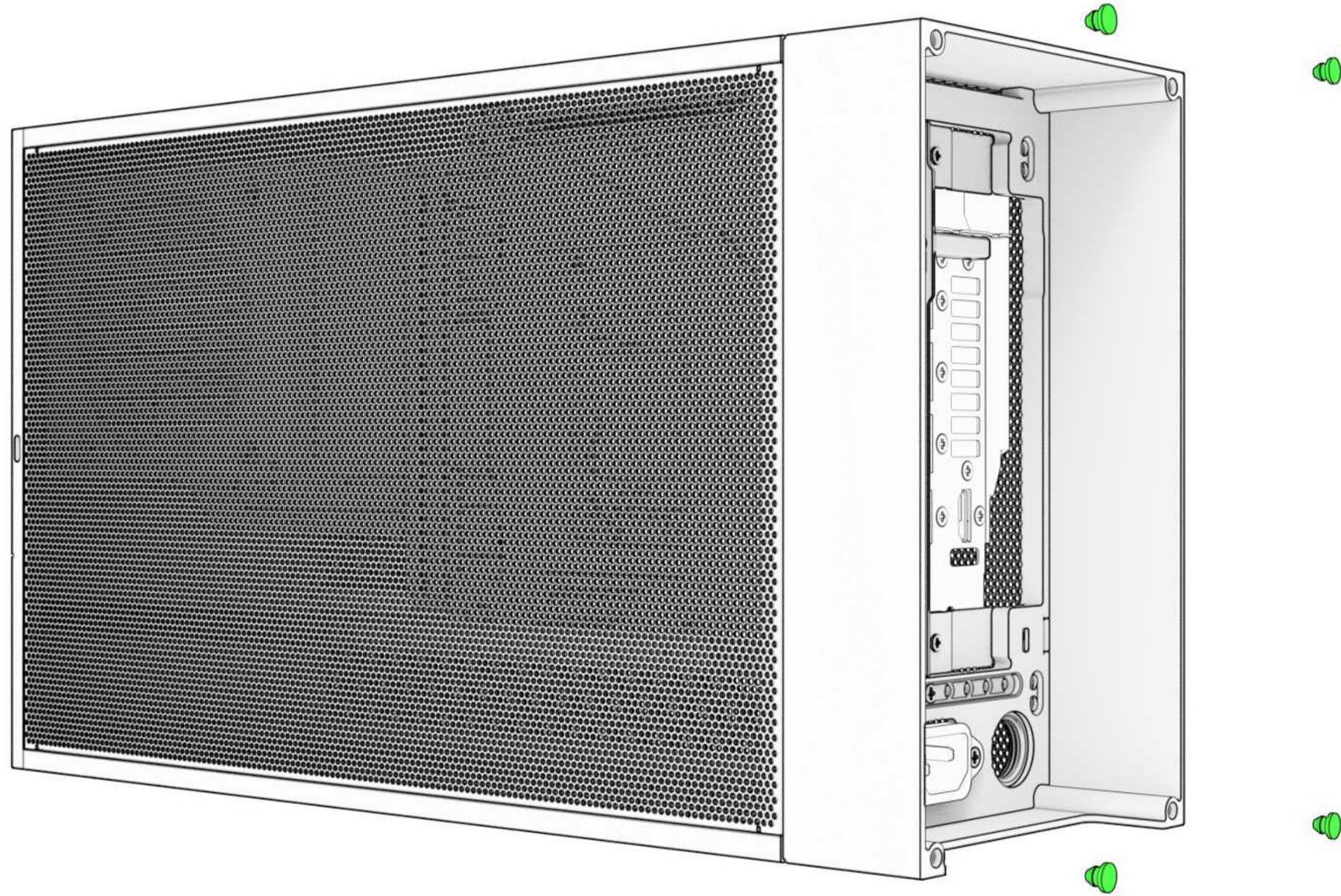


M3 Flat Head Screw (M3-4)

Fasteners:

**Fasteners:
THUMB-6 x 4**





Developing this new project amidst Covid-19 and global supply chain disruptions would have been impossible without the help and support from friends, peers, and the Small Form Factor community.

We are grateful for all the help in this challenging and complex period of world history.

Special Thanks

@Navic – SFF Gurus

@DrHudacris – SFF Gurus

@ScottSimply – SFF Gurus

@Huey – JJB

@HuangYi – Behance

A fruit company's supply chain

An electric car company's supply chain