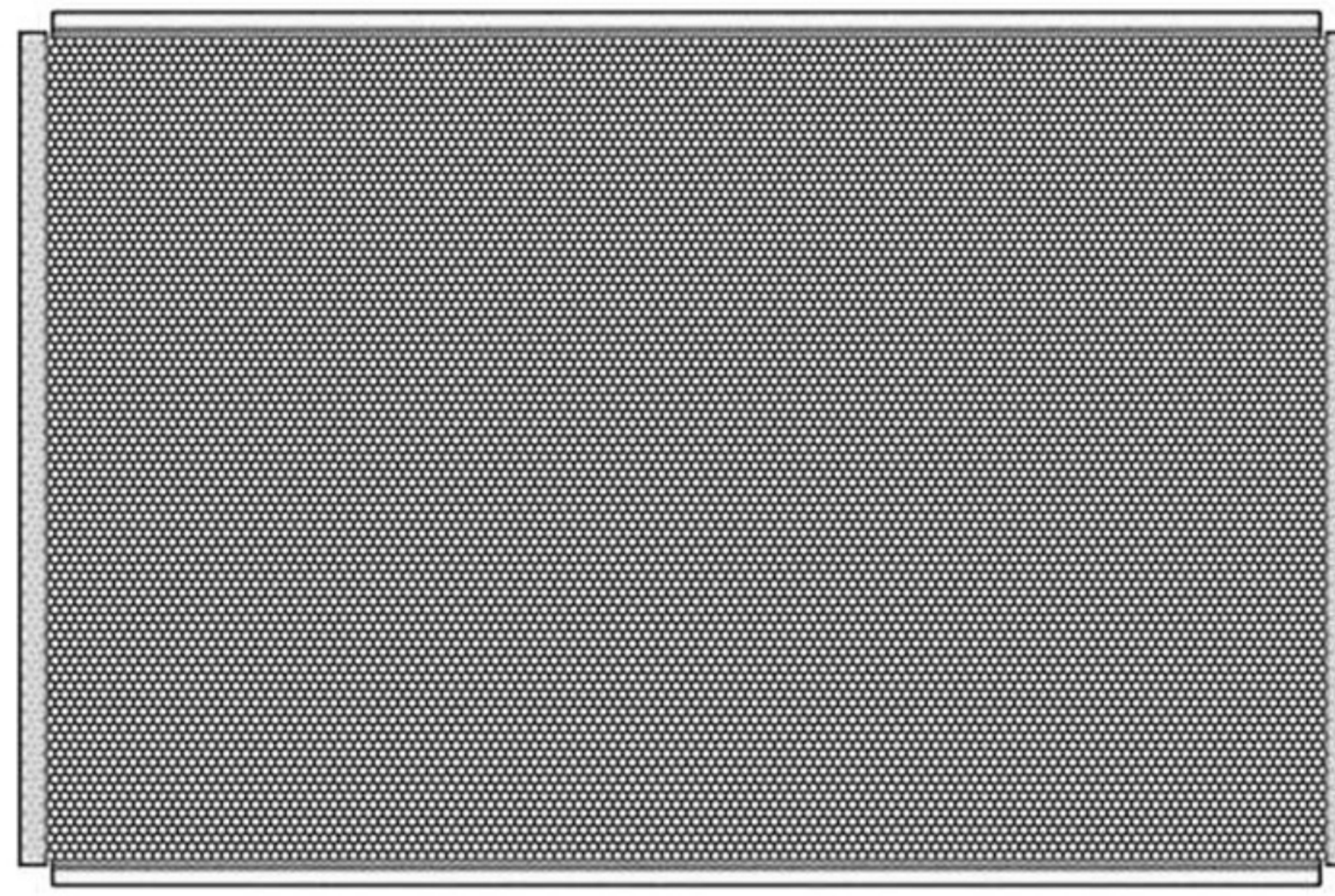
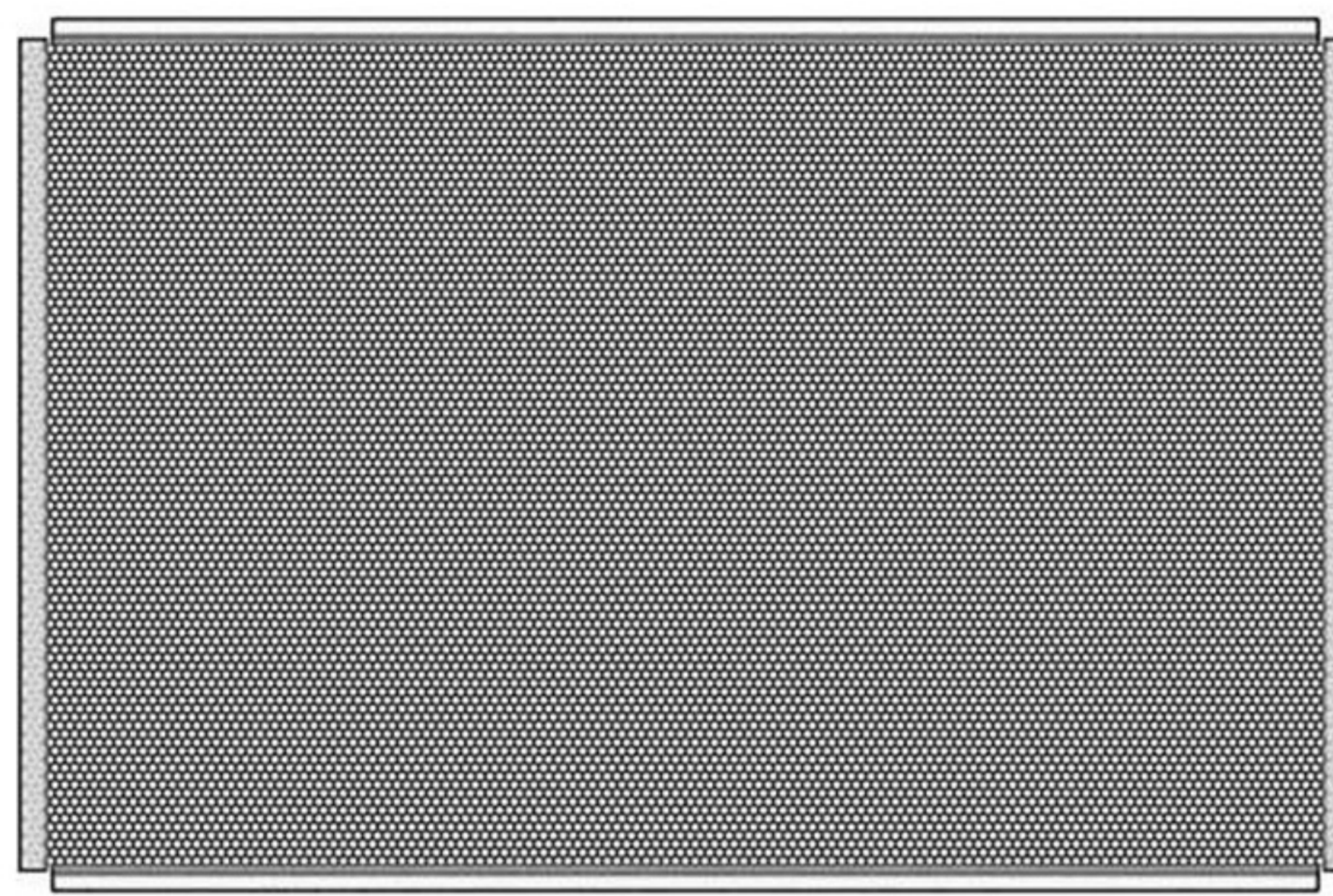


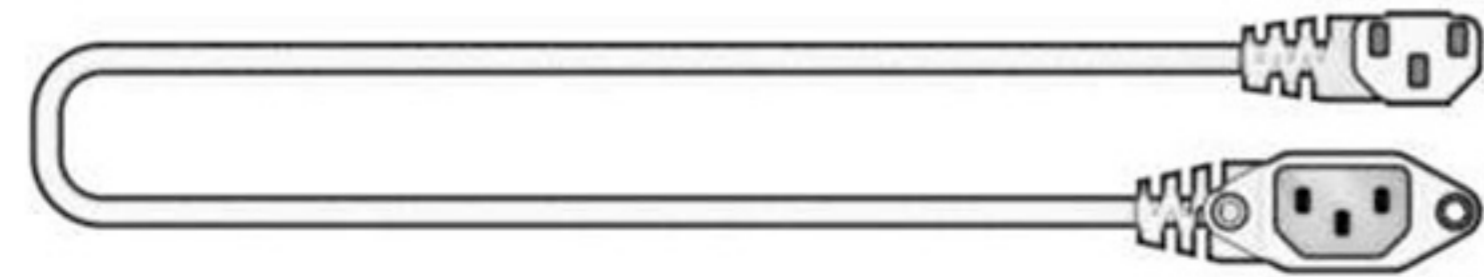
# **FORMD T1<sup>v2.1</sup> Assembly Manual**

# T1-SW KIT

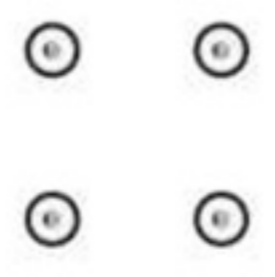
## In The Box:



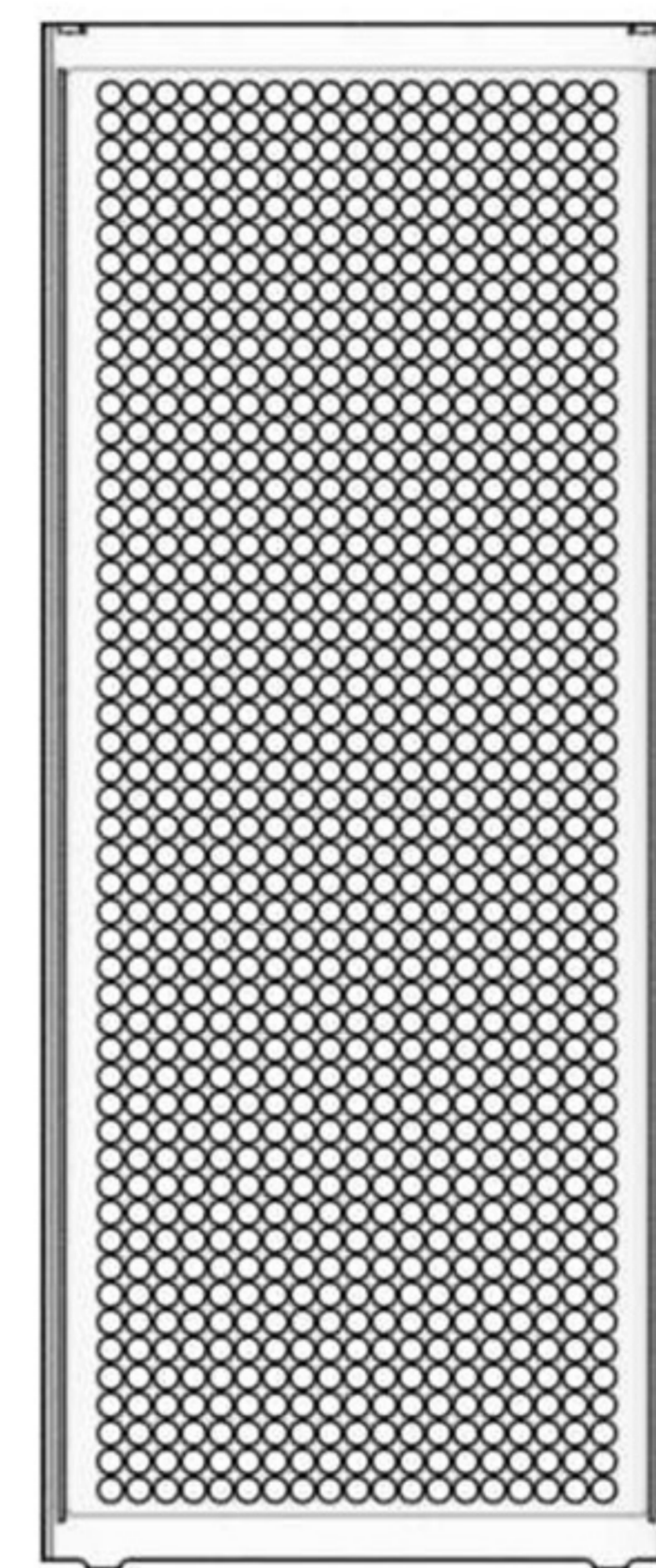
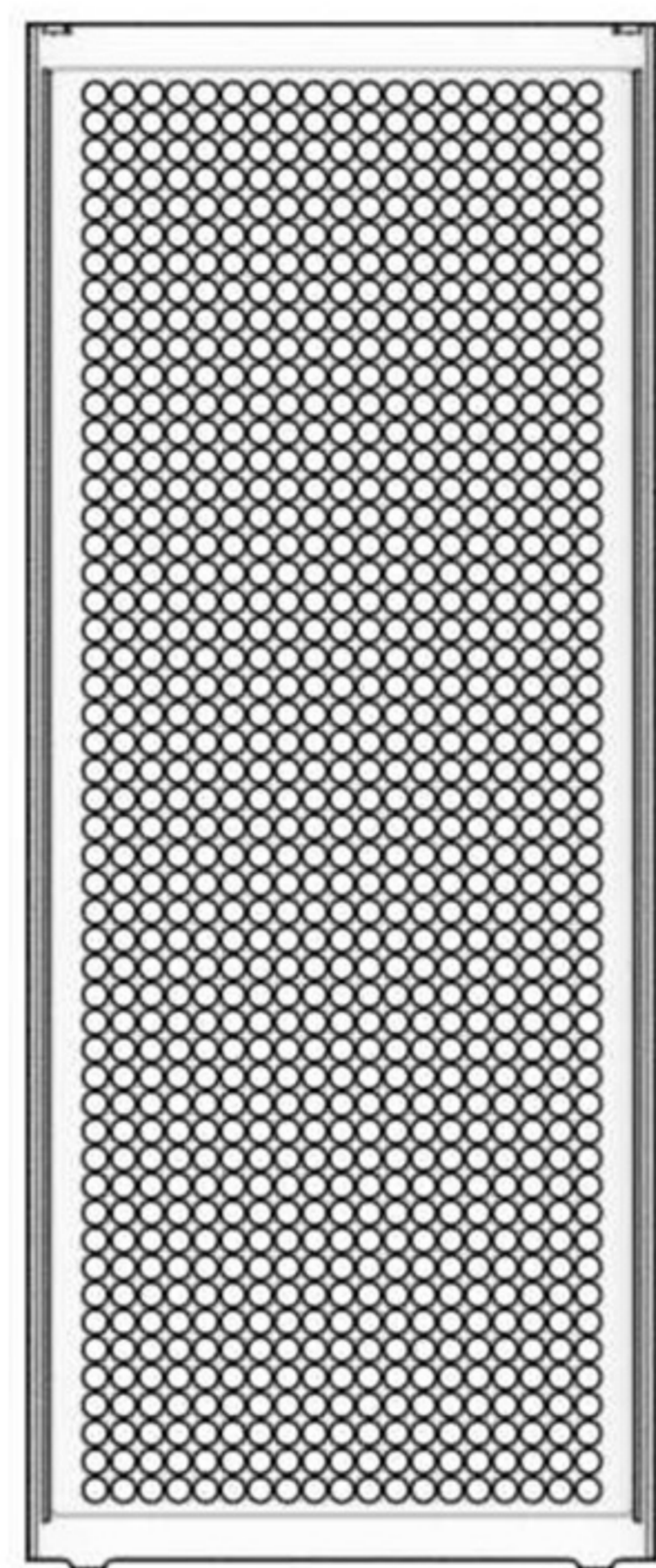
Mesh Side Panel x2



PSU Inlet Cable



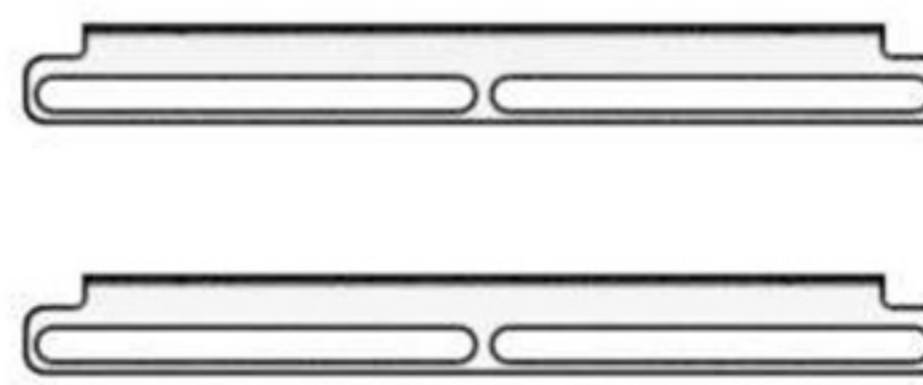
Case Feet



Top/Bottom Panel x2



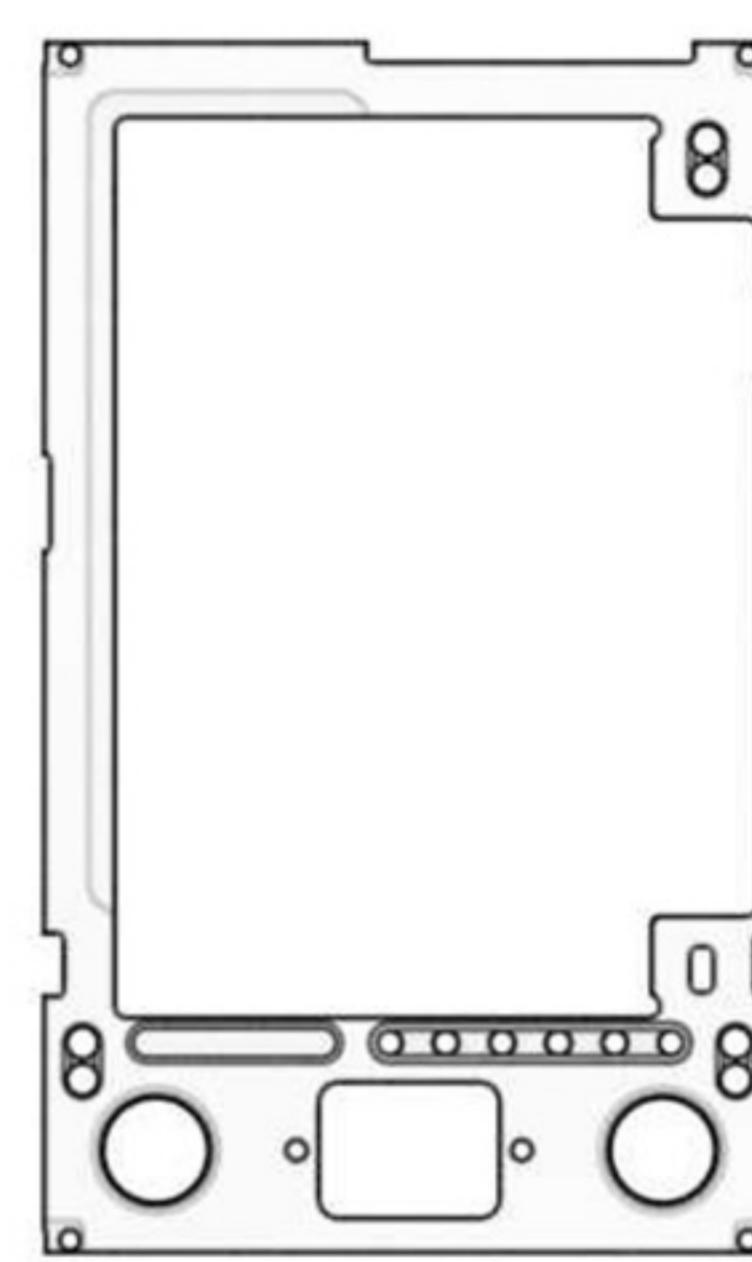
Fan Bracket x2



AIO Bracket x2



SFX PSU Bracket



Rear Panel SW

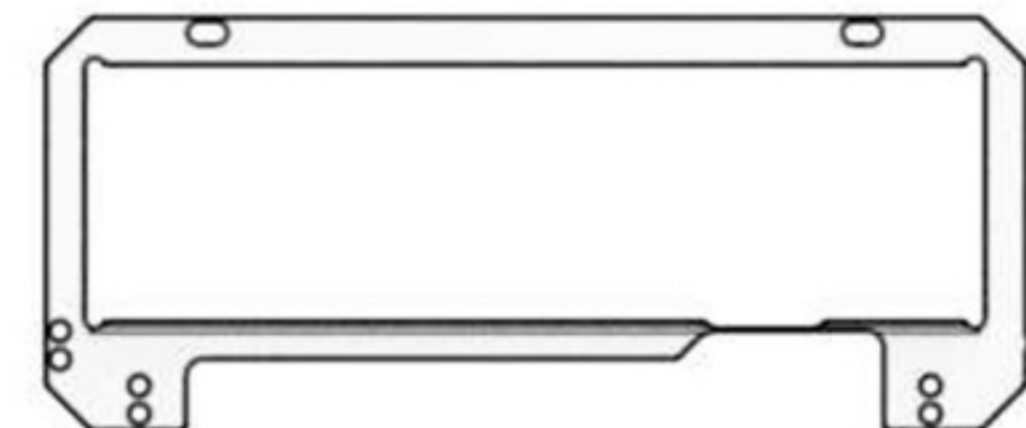


Front Panel SW



Top Strut

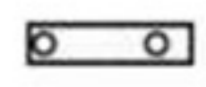
Side Strut x2



Shift IO Bracket



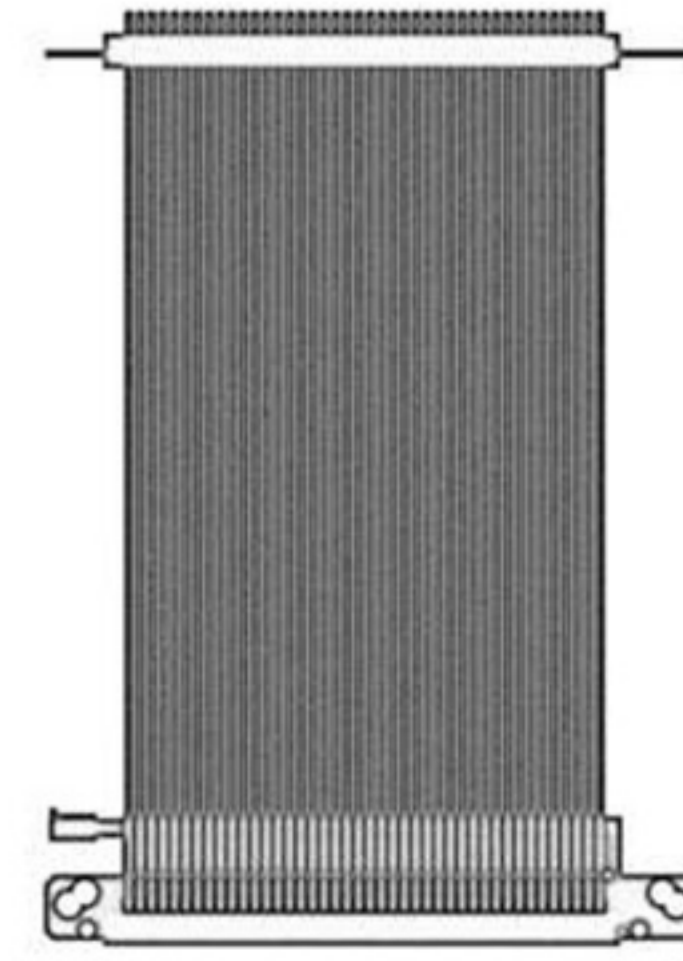
Riser Bar



GPU Lock Bar



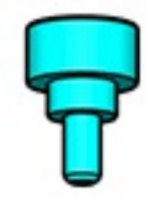
Power Button



PCIe Riser

**CAUTION: do NOT overtighten screws. Once resistance is encountered, do not tighten more than one-quarter turn.**

**Each fastener is different in length or head-shape, and putting them next to each other is an excellent way to identify them.**



**M3 Thumbscrew (THUMB-6)**



**M3 Flat Head Screw (M3-4)**



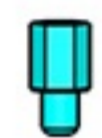
**M3 Countersunk Screw (CSM3-5)**



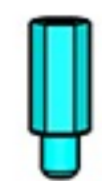
**M3 Countersunk Screw (CSM3-8)**



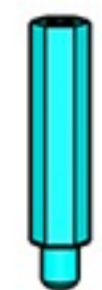
**M3 Standoffs (STANDOFF-5)**



**M3 Standoffs (STANDOFF-6, for motherboard ONLY)**



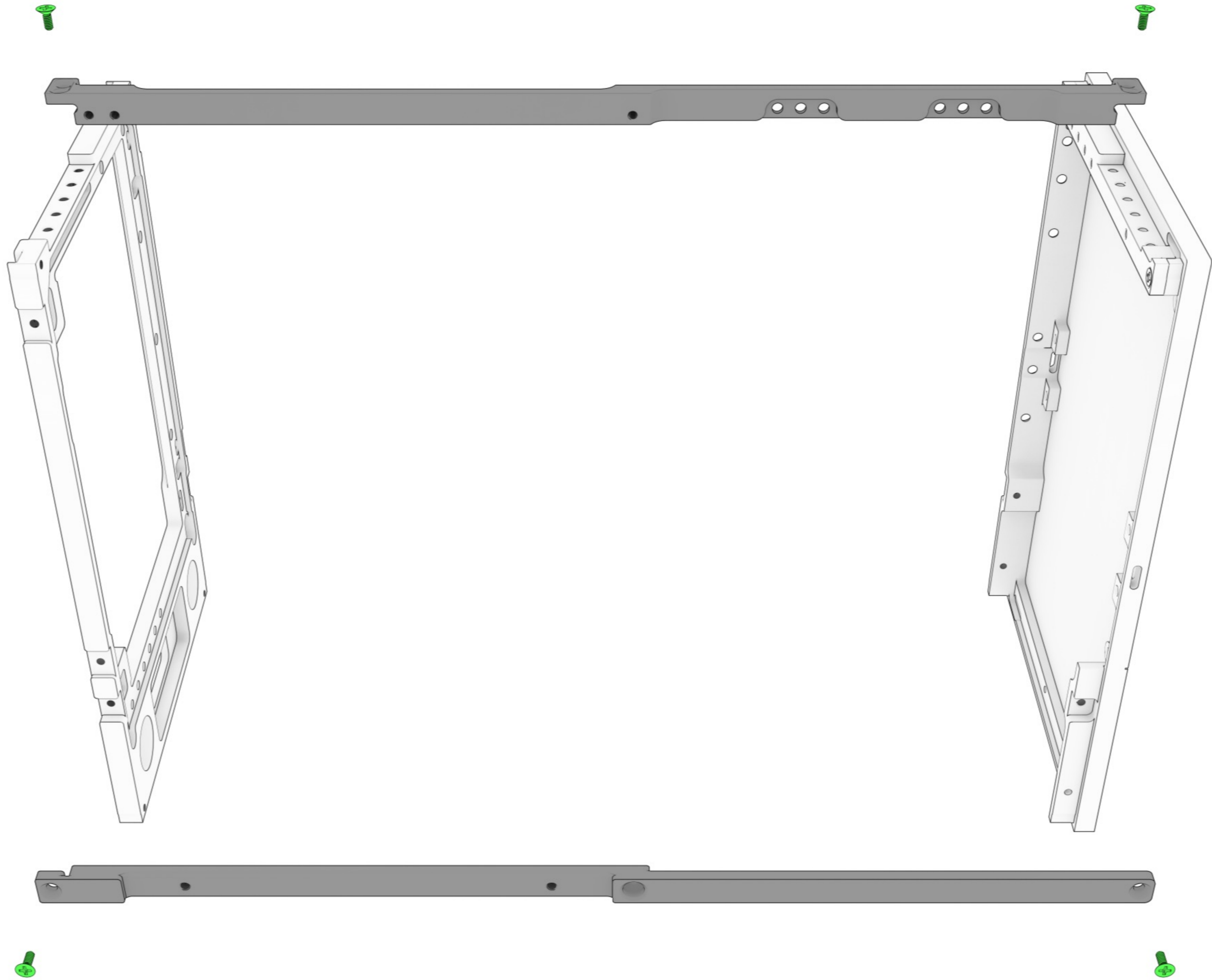
**M3 Standoffs (STANDOFF-10)**



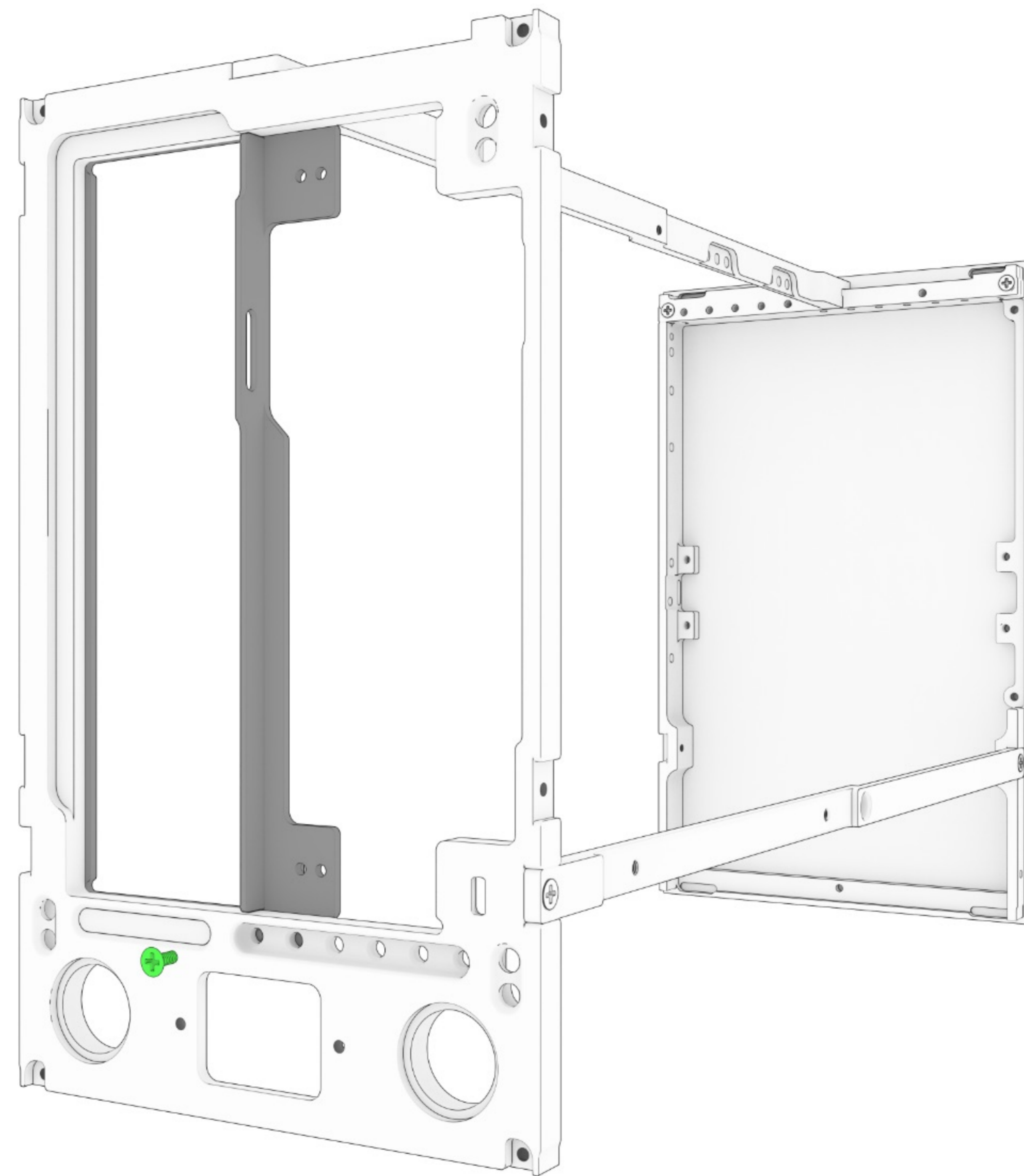
**M3 Standoffs (STANDOFF-20)**

# T1-SW KIT

Fasteners:  
CSM3-8 x 4



Fasteners:  
CSM3-5 x 1



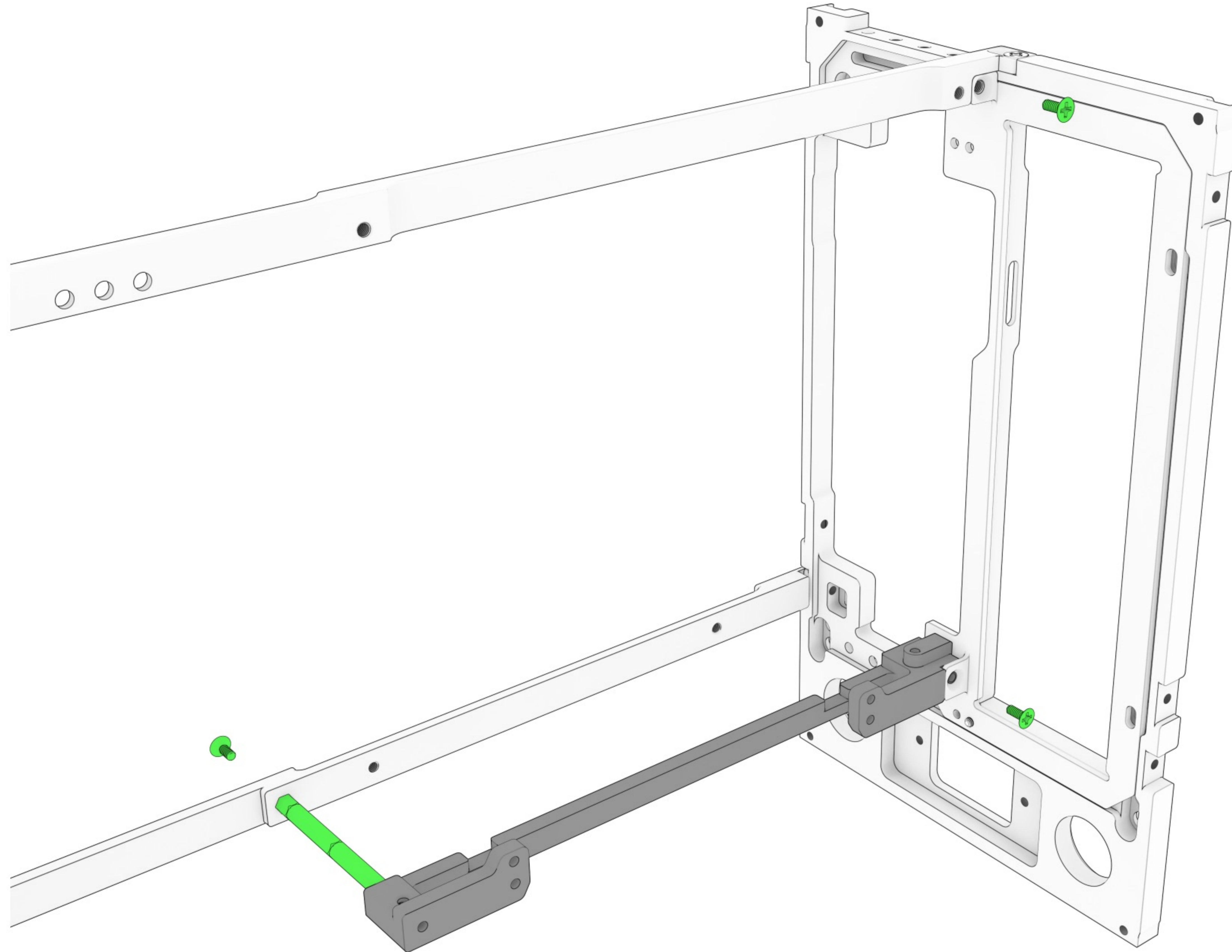
# T1-SW KIT

## Fasteners:

CSM3-5 x 1  
CSM3-8 x 2

STANDOFF-10 x 2  
STANDOFF-20 x 1

\* Standoffs used here varies  
with the spacing allocated  
for the GPU

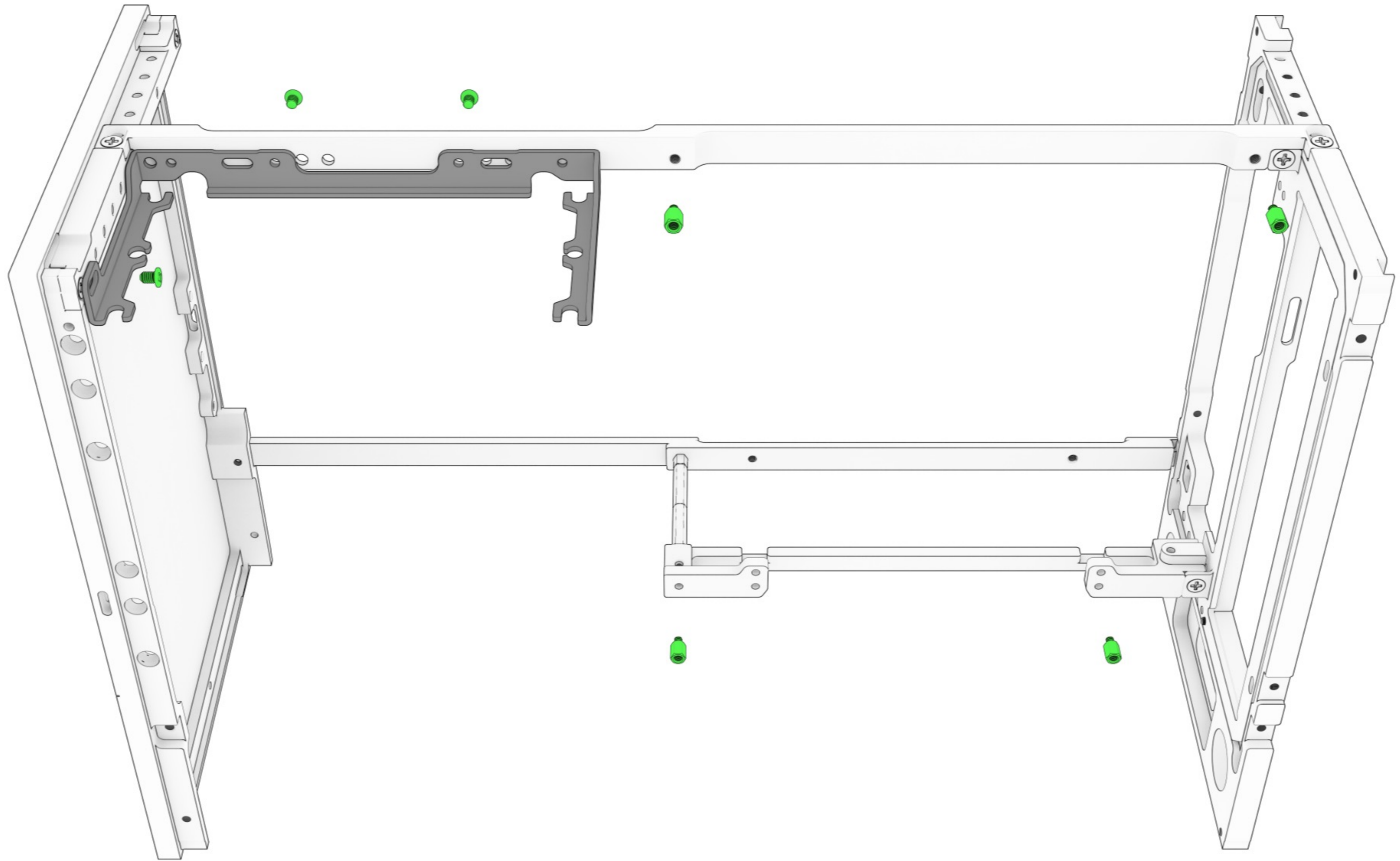


# T1-SW KIT

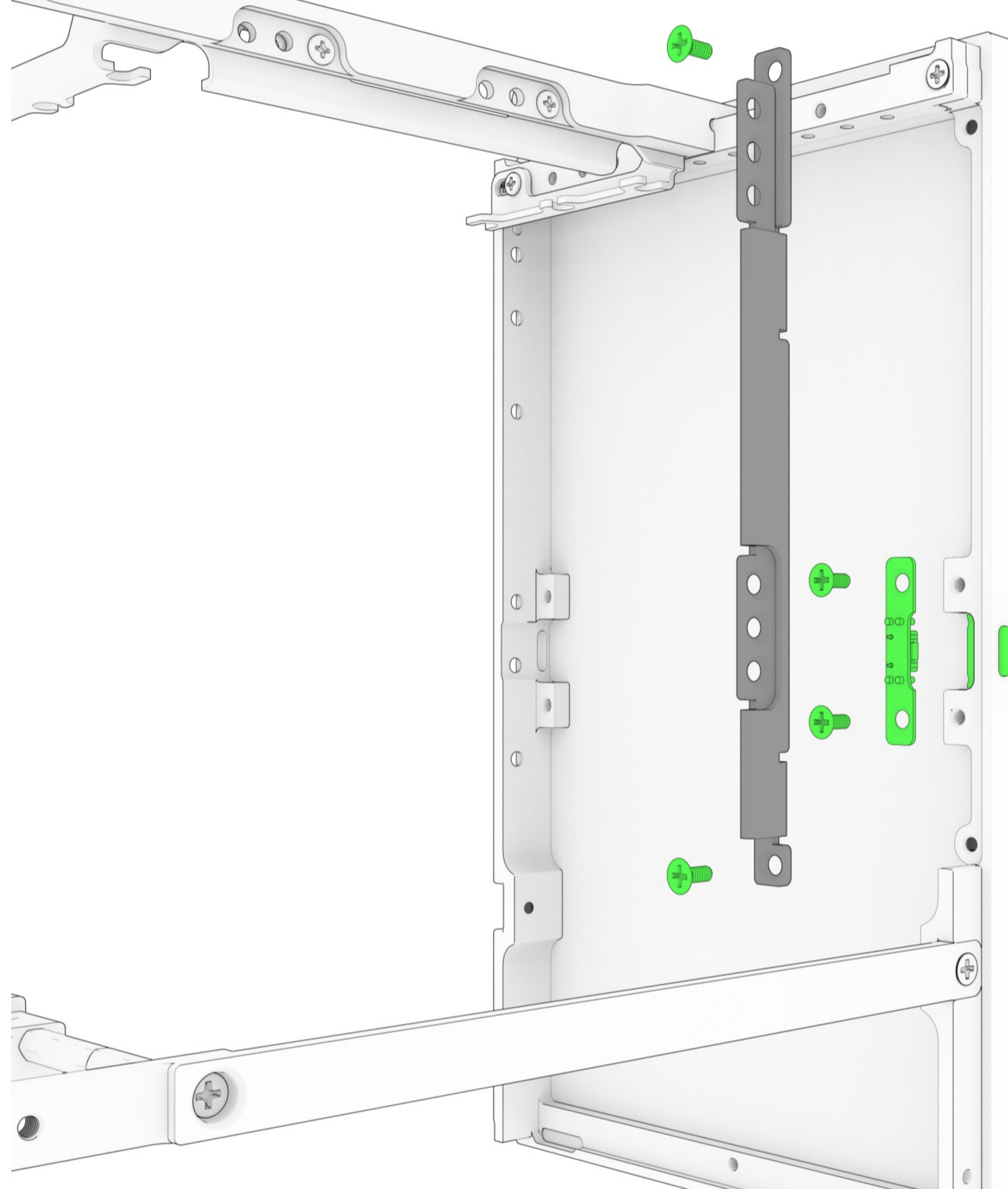
Fasteners:

M3-4 x 3

STANDOFF-6 x 4



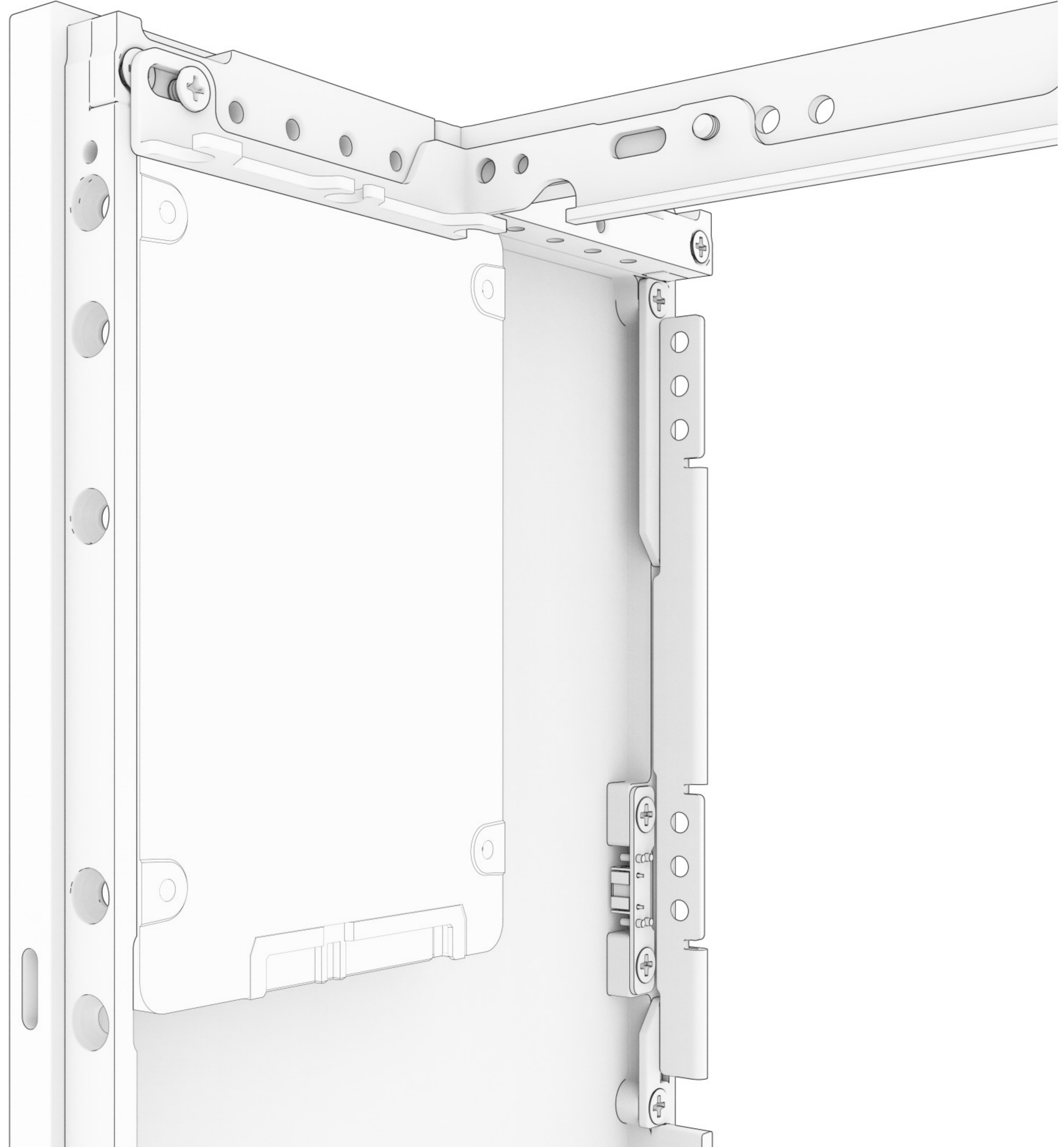
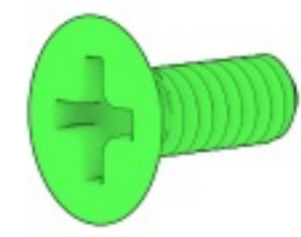
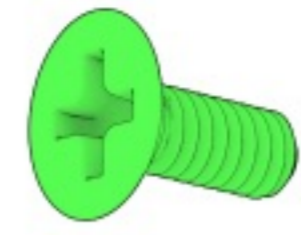
Fasteners:  
CSM3-5 x 4



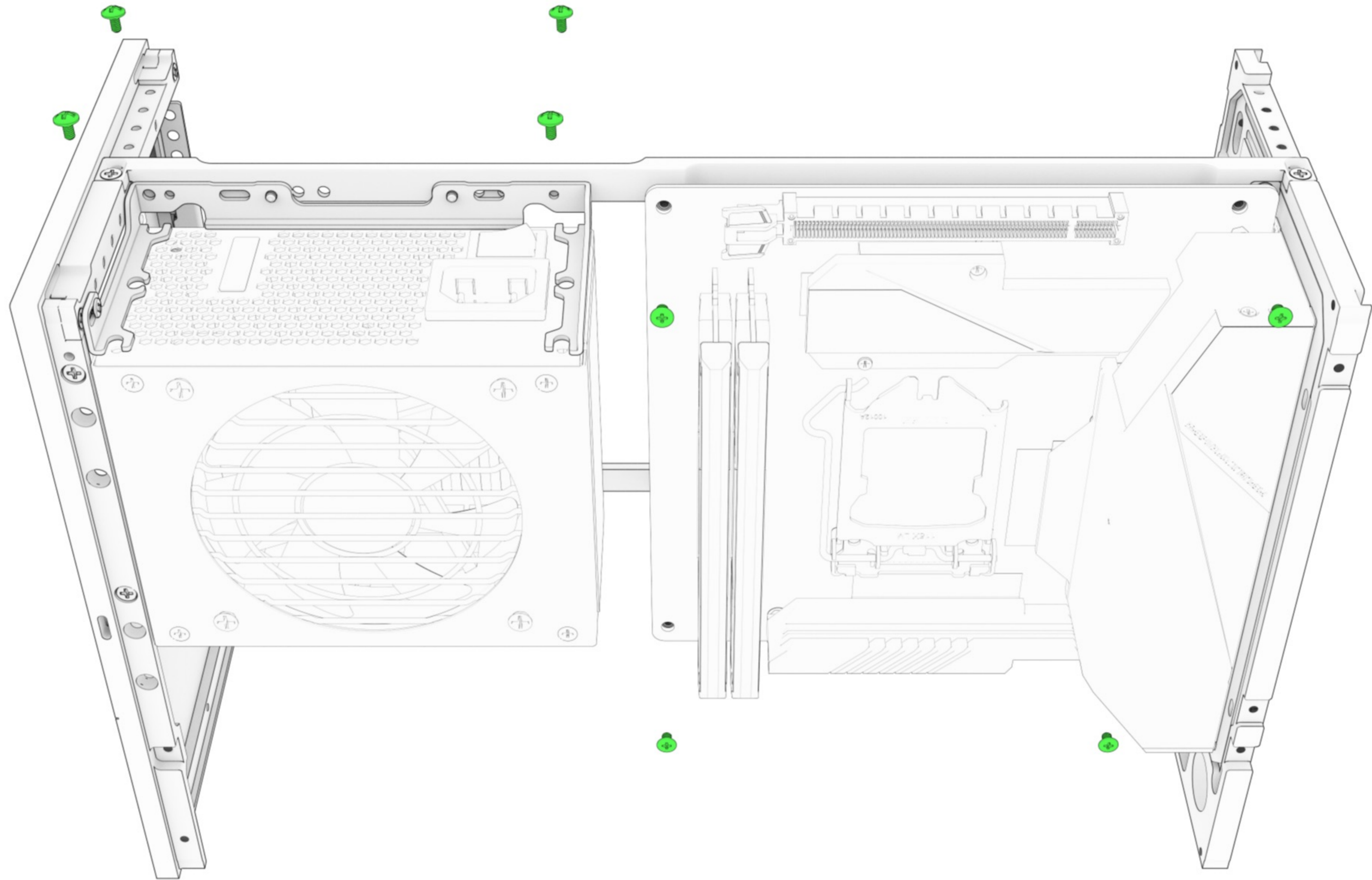


# T1-SW KIT

Fasteners:  
CSM3-5 x 2



# T1-SW KIT



Fasteners:

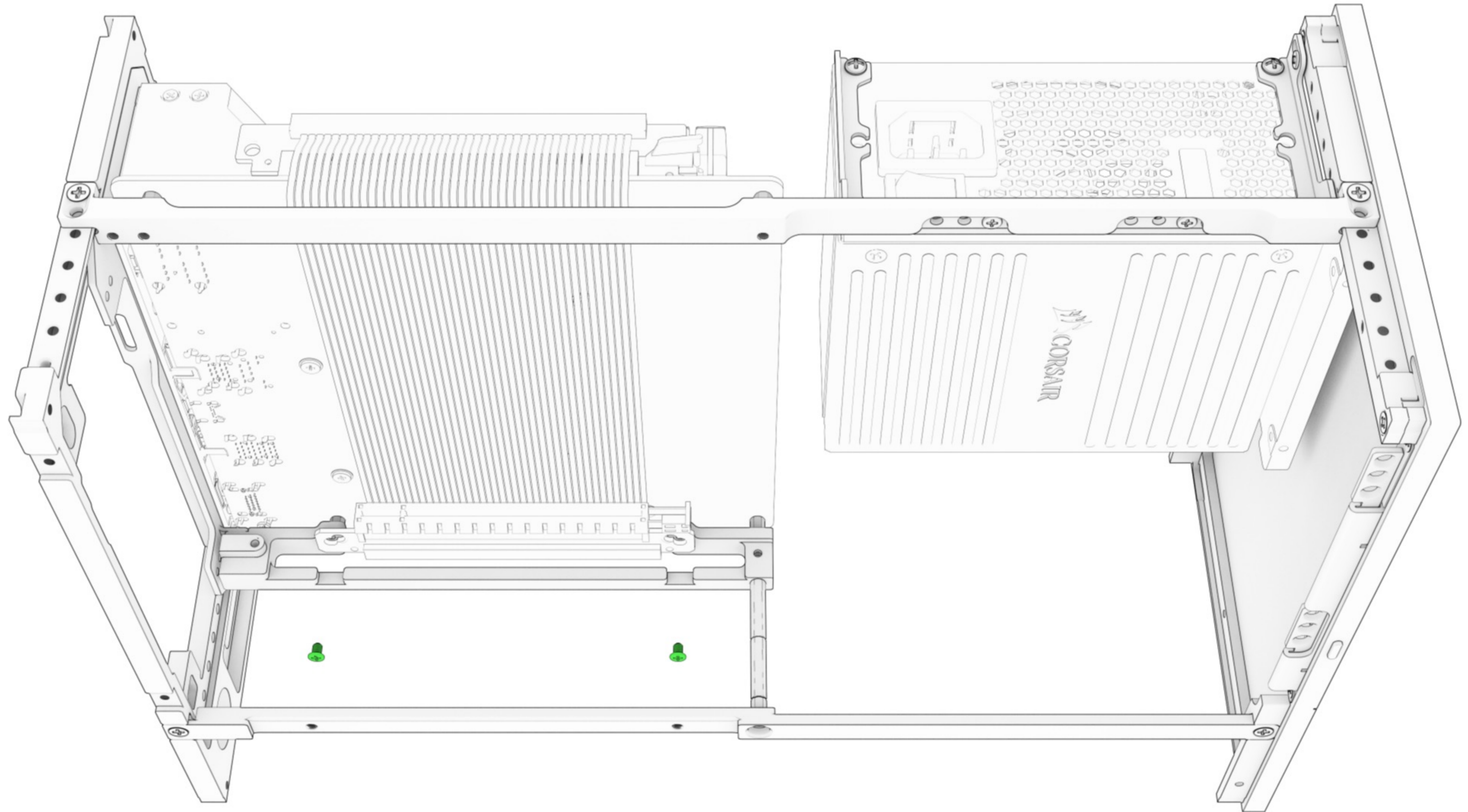
M3-4 x 4

#6-32 x 4

\* #6-32 used for the power supply installation is not included

# T1-SW KIT

Fasteners:  
M3-4 x 2

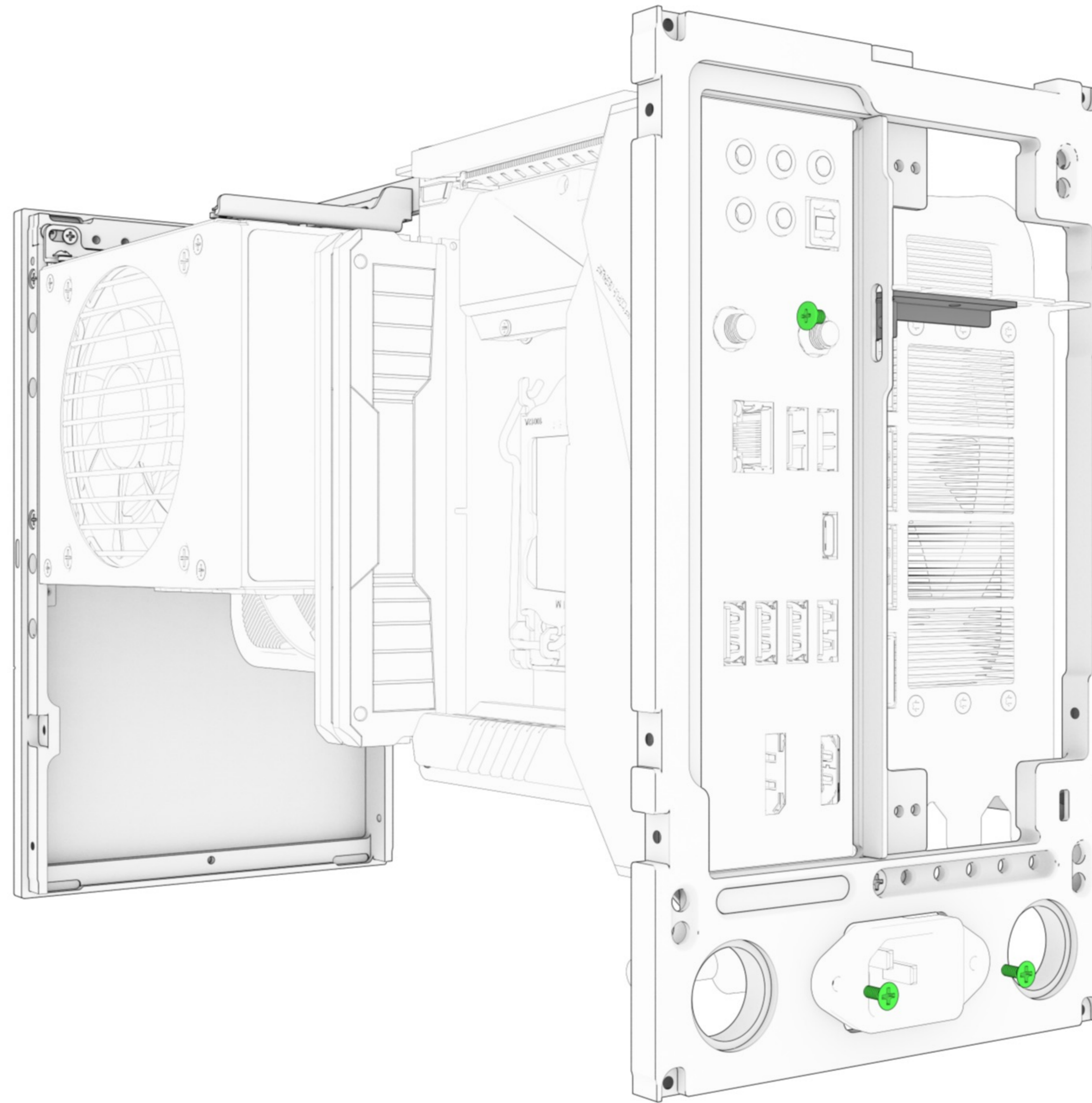


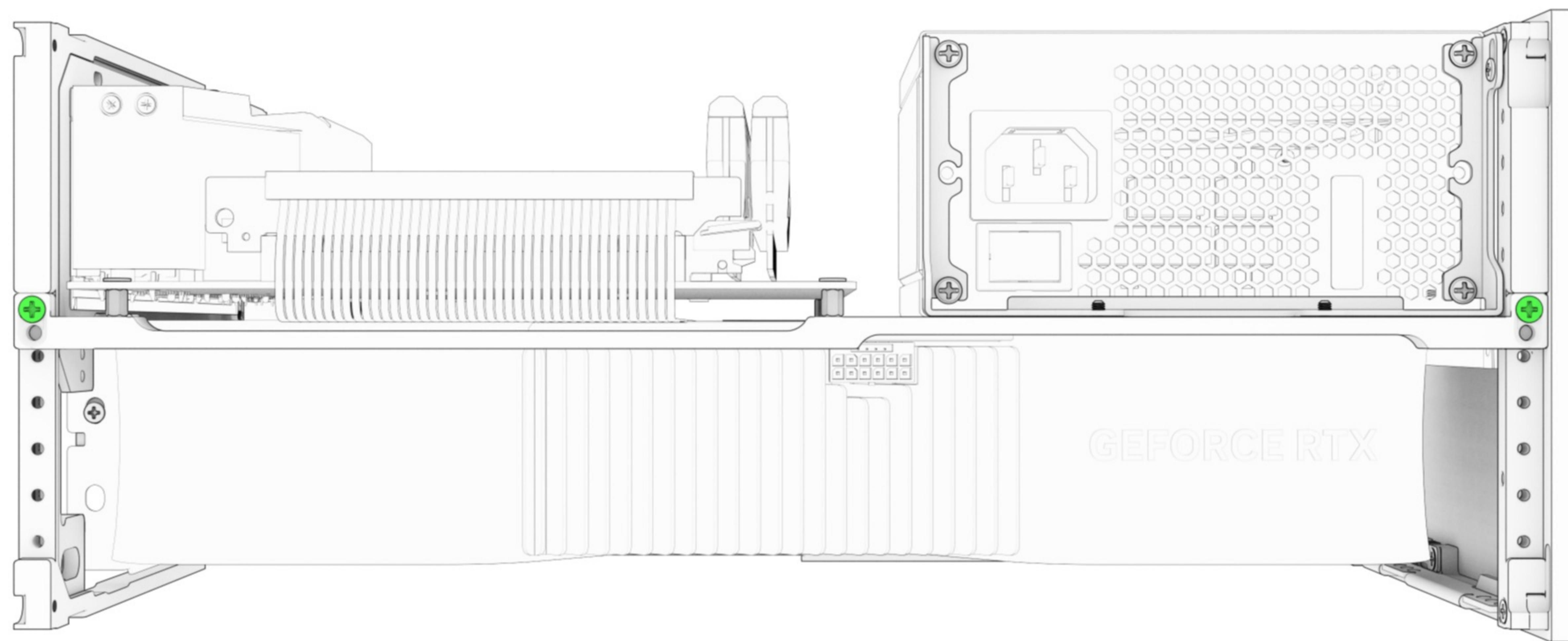
Fasteners:  
M3-4 x 2



## Fasteners:

M3-4 x 1  
CSM3-8 x 2





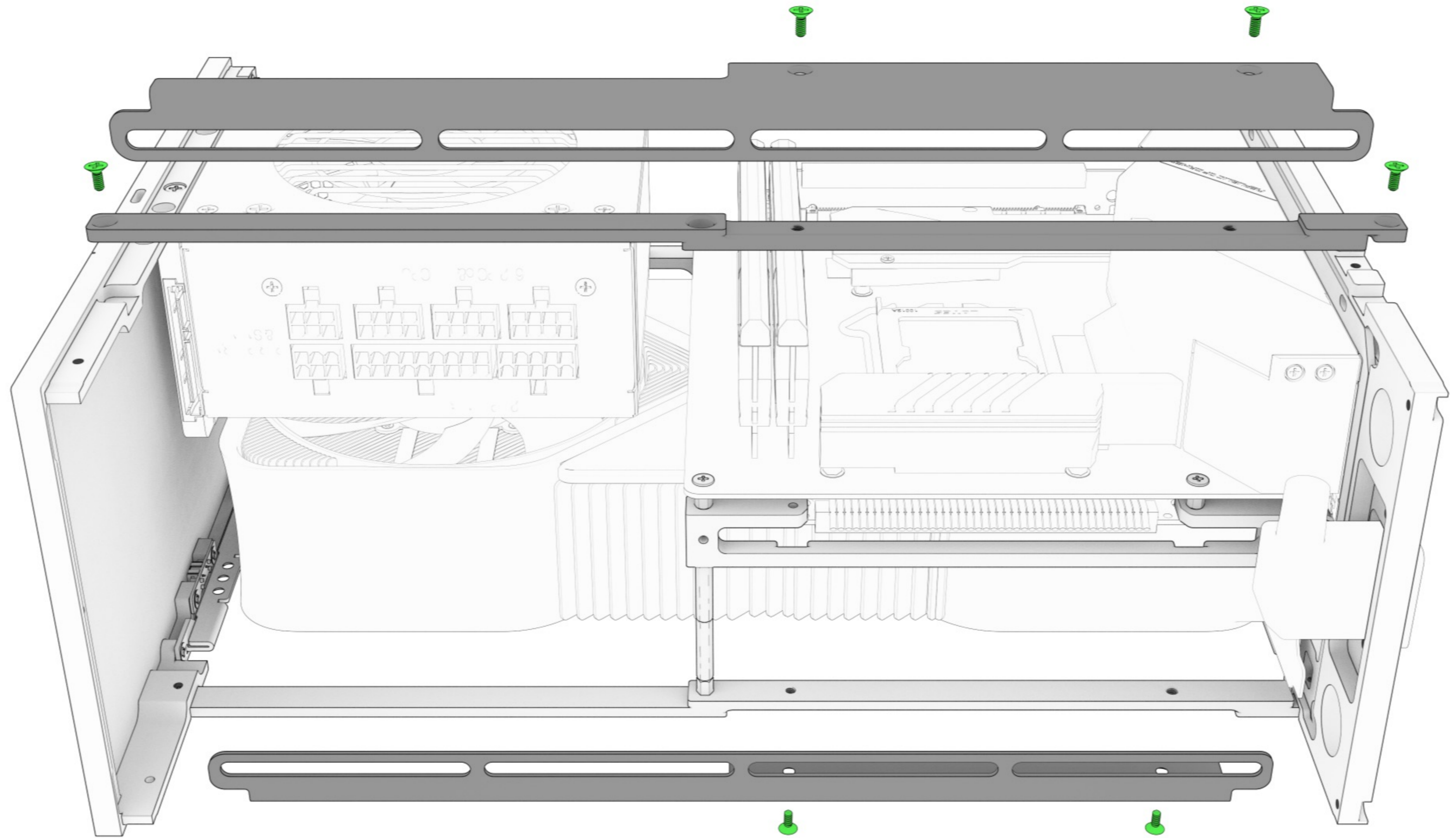
**Adjust the spacing between the Motherboard and GPU side to optimize for system cooling and compatibility.**

**Adjust the spacing between the Power Supply and the GPU Backplate to optimize for GPU cooling.**

# T1-SW KIT

## Fasteners:

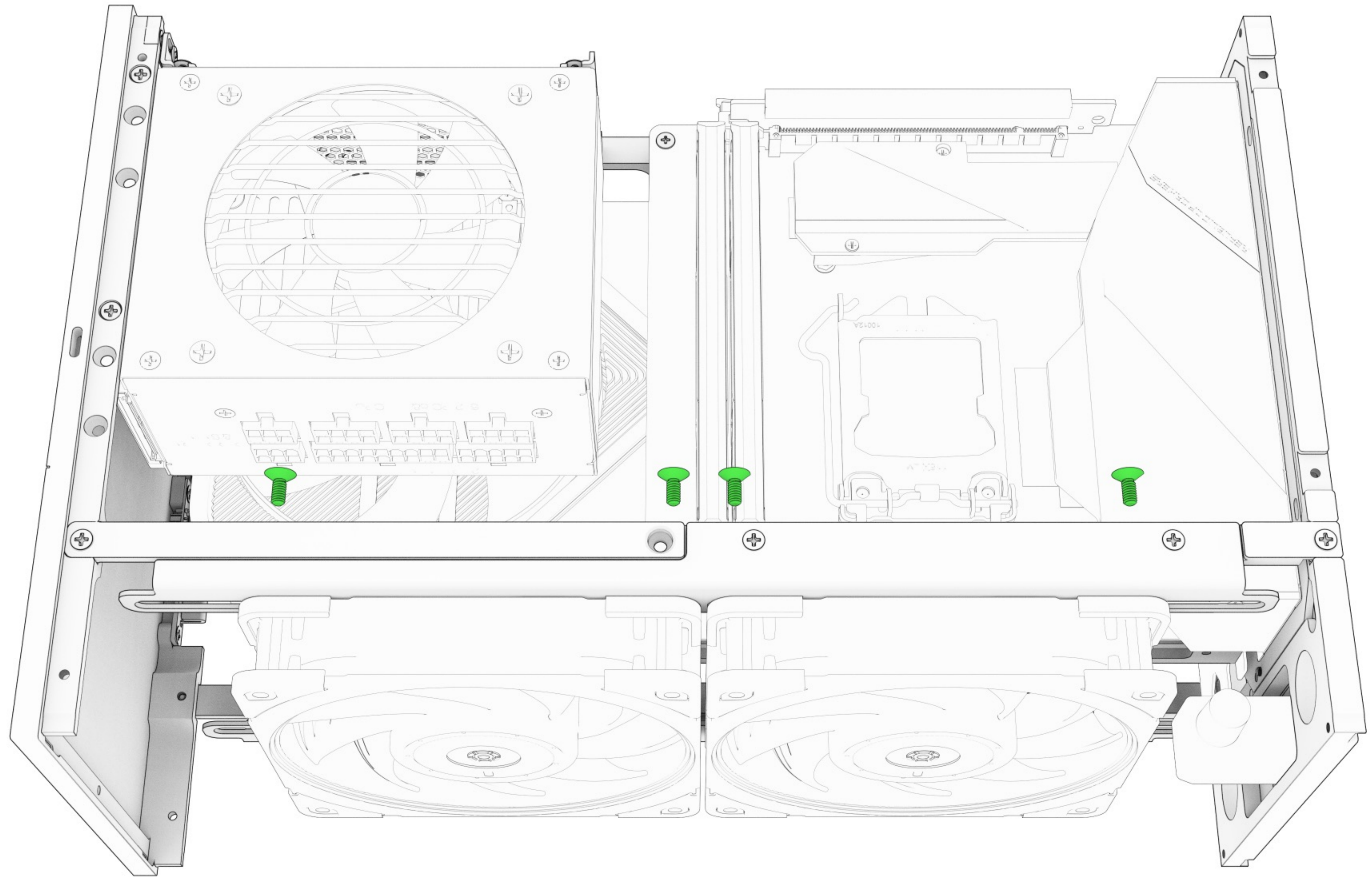
CSM3-5 x 4  
CSM3-8 x 2



## Fasteners:

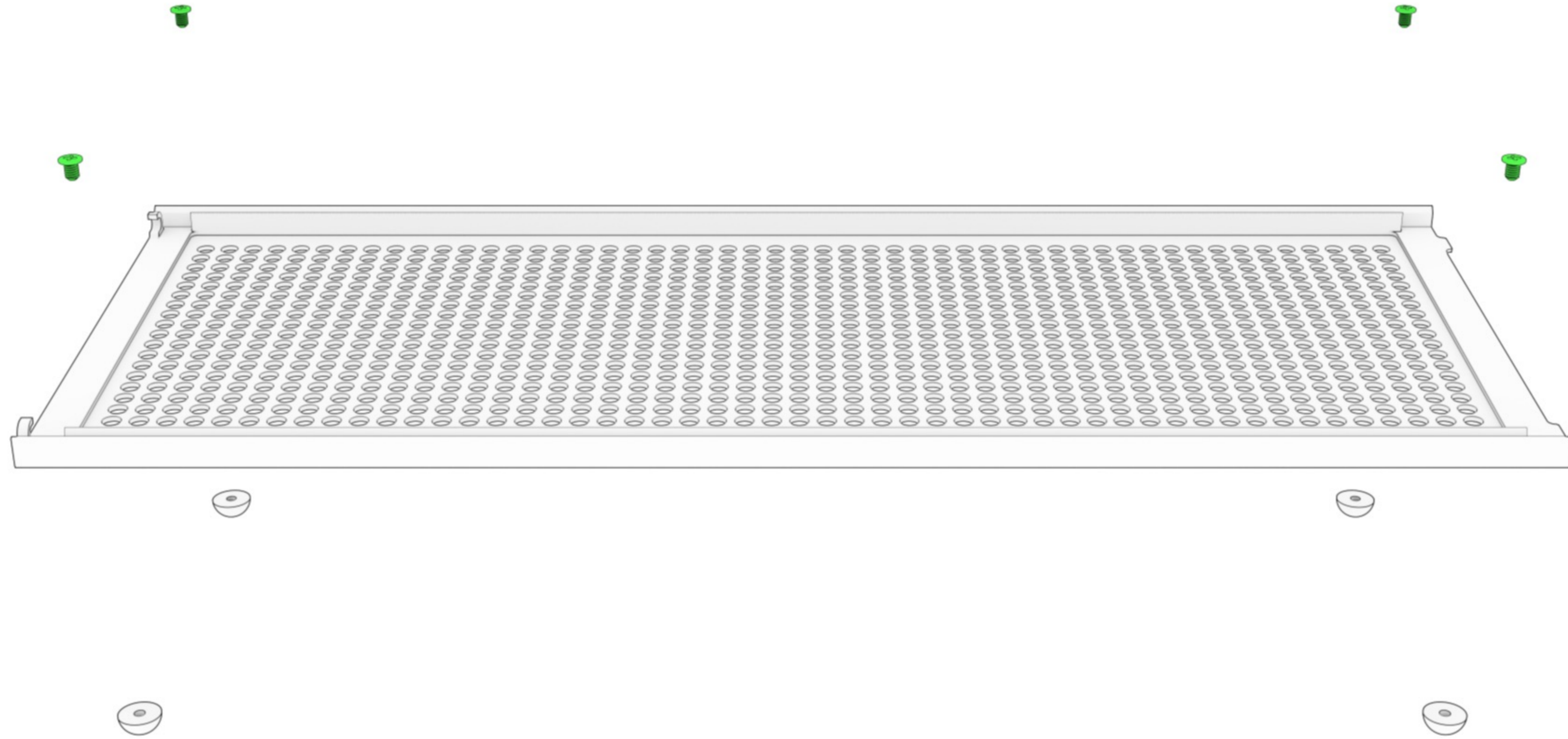
**FAN M5 x 8**

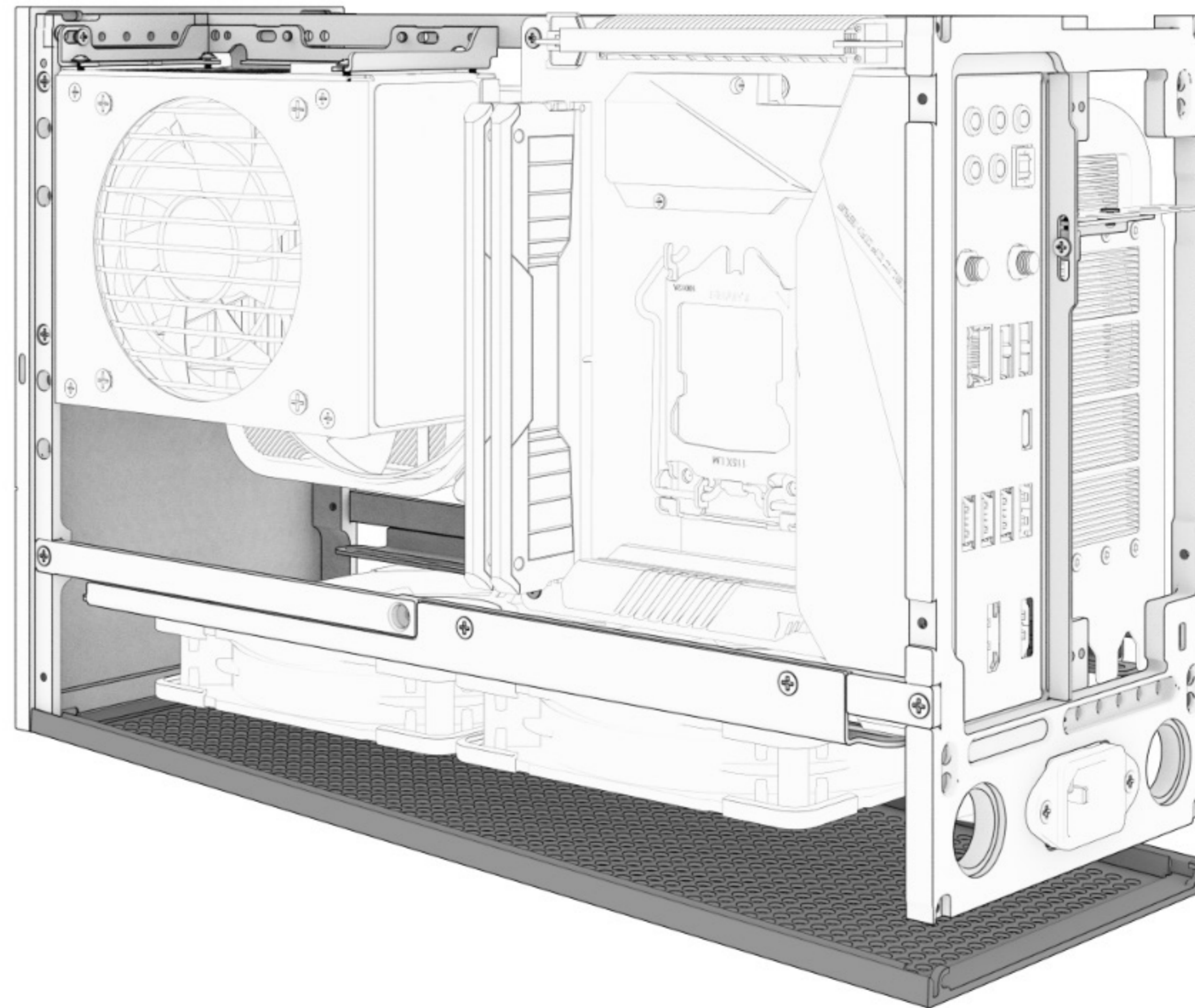
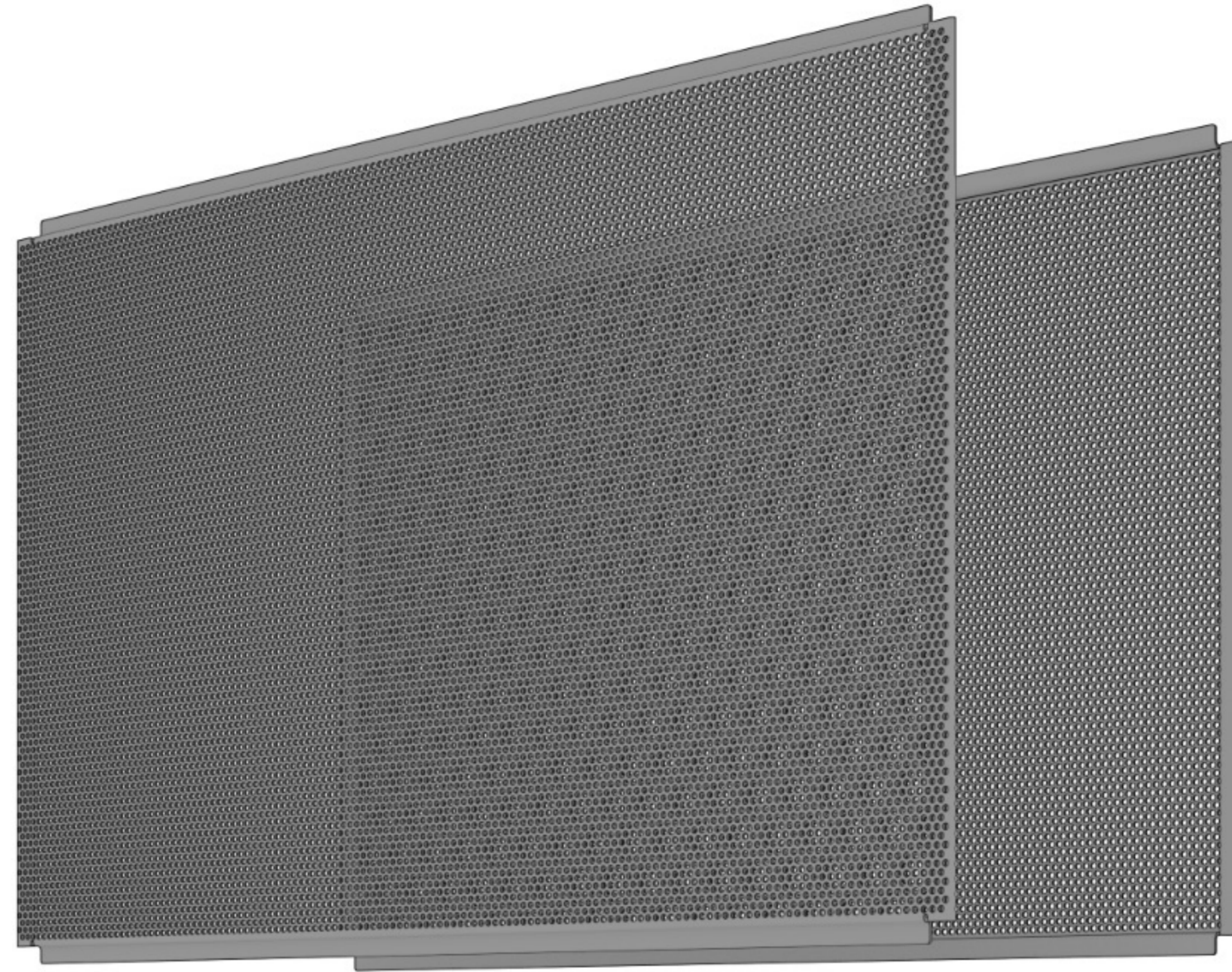
\* FAN M5 used for the fan installation is not included





Fasteners:  
CSM3-5 x 4





Fasteners:  
THUMB-6 x 4

