

# Wall Mount Assembly Instructions

Items included:

1x



M4 x 12mm  
socket head screw

5x



T15 8-32 security screw

2x



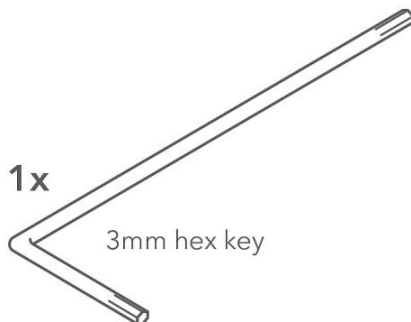
Push-in barrel key

1x



T15 security bit

1x



3mm hex key

Also includes:

- Bit driver

Items required (not included):

- Tablet
- Tablet power cable provided by manufacturer (third-party cables may not fit)

## Inserting your tablet into the head enclosure

1. Insert the barrel key and turn to unlock the head enclosure.
2. Lift the face of the enclosure away from the back by disjoining the internal clips.



3. Insert the tablet's power cable into the tablet, along with any other necessary cables.
4. Turn the retainer clips so the tablet can be placed into the enclosure.
5. Place the tablet into the enclosure so that the cable ports line up with the cutouts.
6. Turn the retainer clips to secure the tablet.
7. Thread the cable(s) through the center hole of the back of the head enclosure.
8. Align the face with the back so the locking clips are joined, and slide the pieces together.
9. Push in the barrel lock to secure.

## Mounting the kiosk to the wall

**Note:** The Wall Mount is designed to fit over a standard power outlet. Check to see if your local electrical code permits this type of installation before installing.

1. Determine the position where you want to mount the kiosk.
2. Using a measuring device and pencil, mark a point on the wall to determine an optimum ADA-compliant height.

For landscape orientation:

- 46" (1168mm) above the finished floor for 10-inch class tablets.
- 45.25" (1149.35mm) for 12-inch class tablets.

For portrait orientation:

- 45" (1143mm) above the finished floor for 10-inch class tablets.
- 44.25" (1123.95mm) for 12-inch class tablets.

3. Place the inner bracket piece on the wall with the top of the bracket even with the marked point.
4. Use a level to make sure that the top of the bracket is level and mark the center of the four mounting holes.
5. After mounting the bracket to the wall, place the kiosk over the bracket.
6. Align the four threaded holes (two on each side) and attach the 6mm socket-head screws using the 3mm hex key.