

Head Enclosure Assembly Instructions

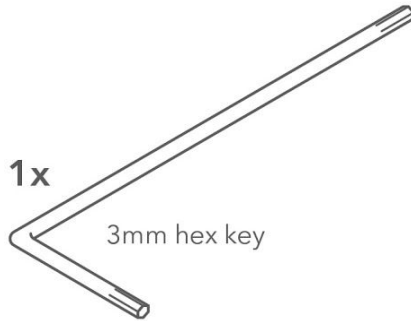
Items included:

5x



M4 x 12mm
socket head screw

1x



3mm hex key

2x



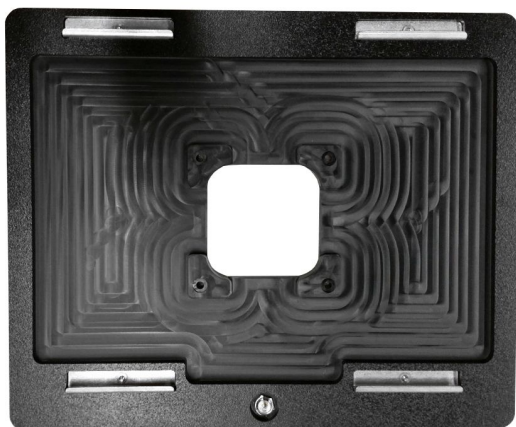
Push-in barrel key

Items Required:

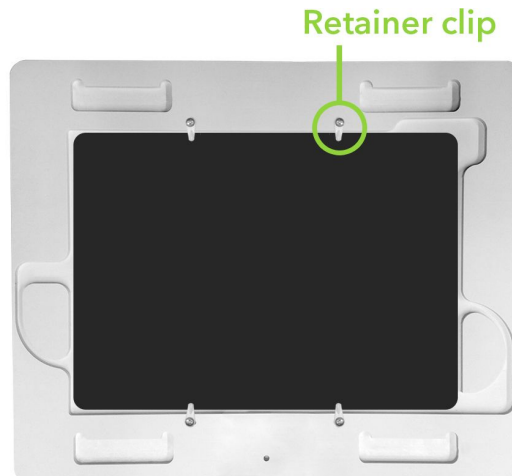
- Tablet & power cable provided by manufacturer (third-party cables may not fit)
- Barrel lock & button keys (included)

Inserting your tablet into the head enclosure

1. Insert the key and unlock the barrel lock.
2. Lift the face of the enclosure away from the back by disjoining the internal clips.



Interior of back (iPad model)



Interior of front (iPad model)

3. Insert the tablet's power cable into the tablet, along with any other necessary cables.
4. Turn the retainer clips so the tablet can be placed into the enclosure.
5. Place the tablet into the enclosure so that the cable ports line up with the cutouts.
6. Make sure the cables are not under the tablet, and press the tablet into the enclosure until it is seated all the way down.
7. Turn the retainer clips to secure the tablet.
8. Thread the cable(s) through the center hole of the back of the head enclosure.
9. Place the back onto the front so that the locking clips are joined, and slide the pieces together to align.
10. Push in the barrel lock to secure.