

Countertop Assembly Instructions

Items included:

1x



M8-1.25 x 16mm
socket cap screw



M4 x 12mm
socket head screw

1x



10-32 Wing nut

1x



T15 8-32
security screw

2x



#2233 key

2x



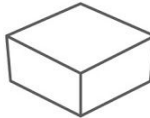
Push-in barrel key

1x



T15 security bit

1x



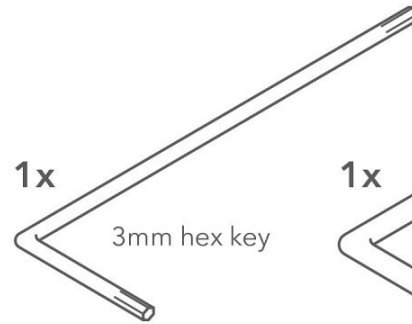
Bumper foot

1x



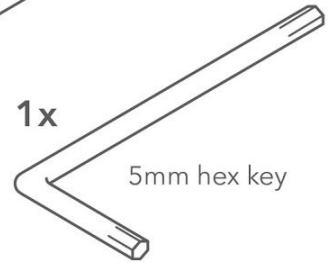
8-32 rubber washer

1x



3mm hex key

1x



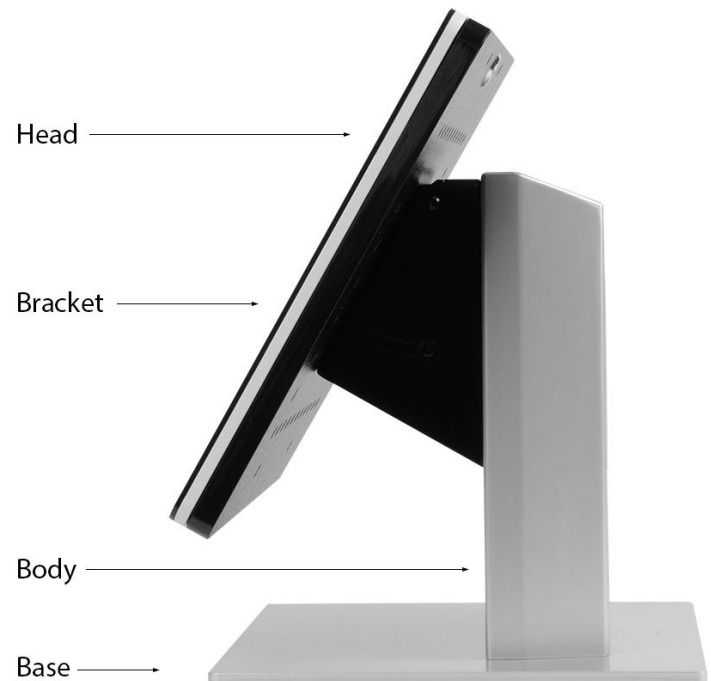
5mm hex key

Also includes:

- Bit driver
- 6 ft. power cord (with ground)

Items Required (not included):

- Tablet
- Tablet power cable provided by manufacturer (third-party cables may not fit)



Inserting your tablet into the head enclosure

1. Insert the barrel key and turn to unlock the head enclosure.
2. Lift the face of the enclosure away from the back by disjoining the internal clips.



3. Insert the tablet's power cable into the tablet, along with any other necessary cables.
4. Turn the retainer clips so the tablet can be placed into the enclosure.
5. Place the tablet into the enclosure so that the cable ports line up with the cutouts.
6. Turn the retainer clips to secure the tablet.
7. Thread the cable(s) through the center hole of the back of the head enclosure.
8. Align the face with the back so the locking clips are joined, and slide the pieces together.
9. Push in the barrel lock to secure.

Adjusting the angle of the head enclosure

The screws inside the curved passage on the bracket can be loosened to adjust. If you need to adjust the angle of the head, the screws inside the curved passage can be loosened so you can tilt the head enclosure. The angle can be set from 20 to 50 degrees.

