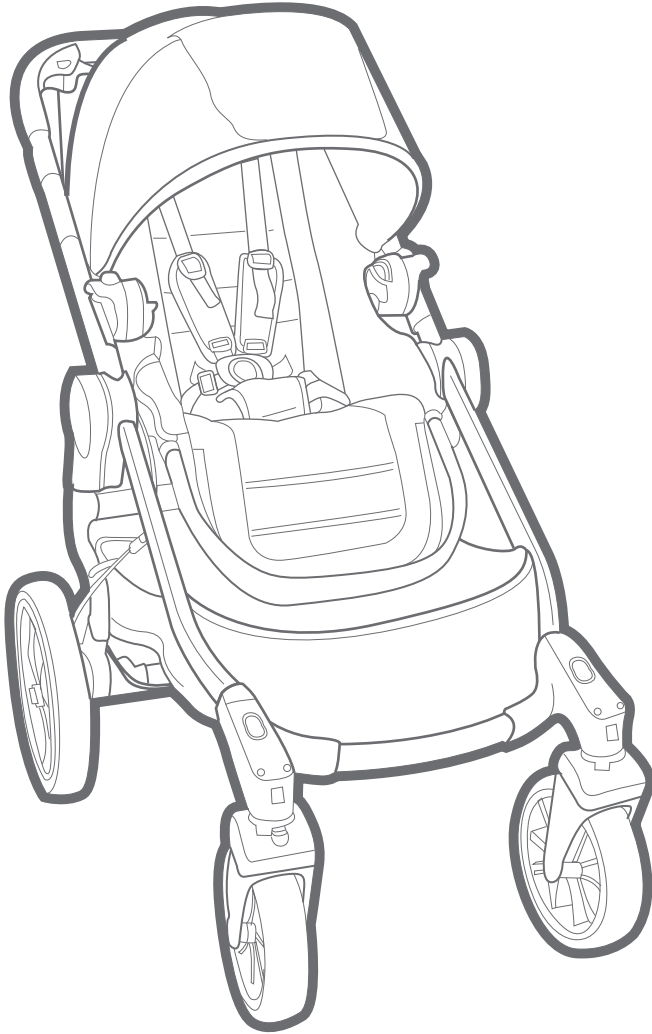
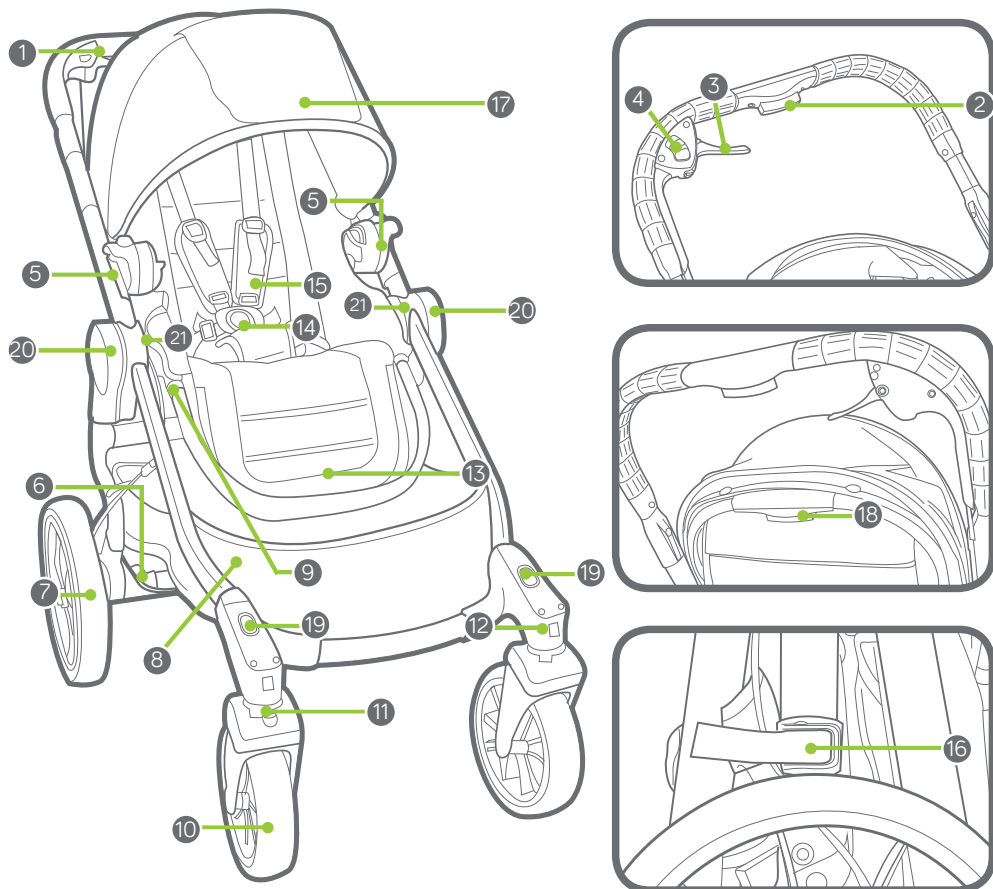




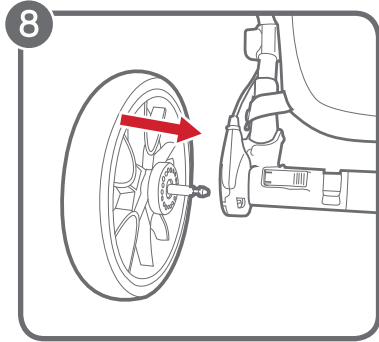
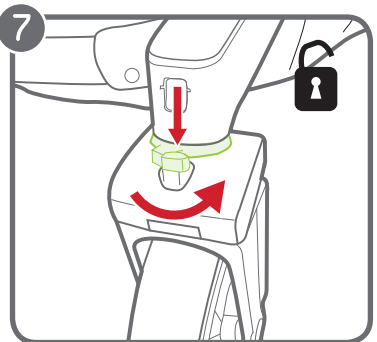
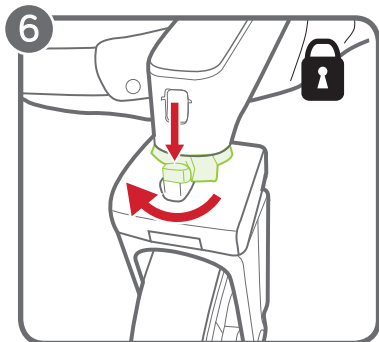
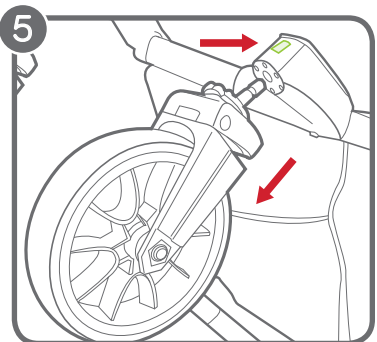
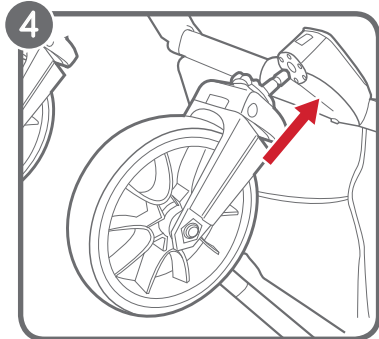
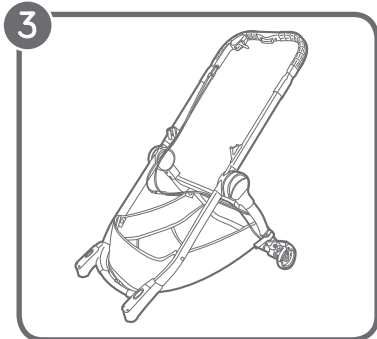
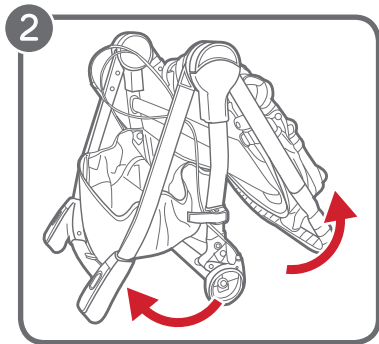
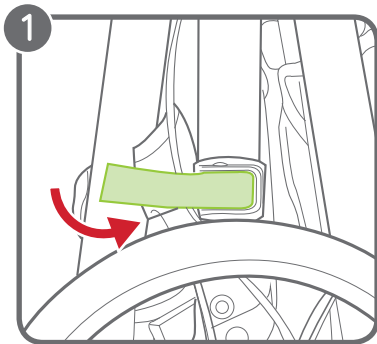
city selectTM LUX Stroller

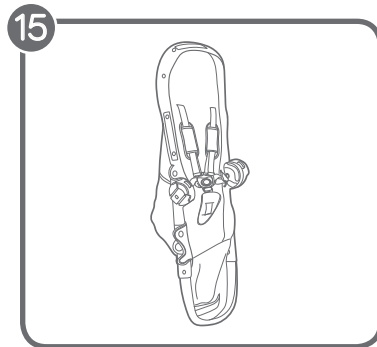
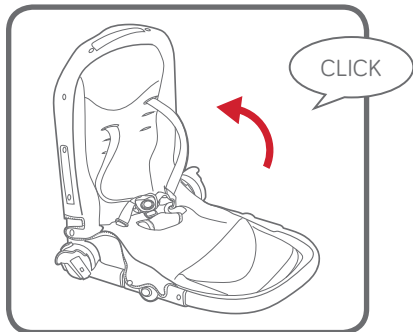
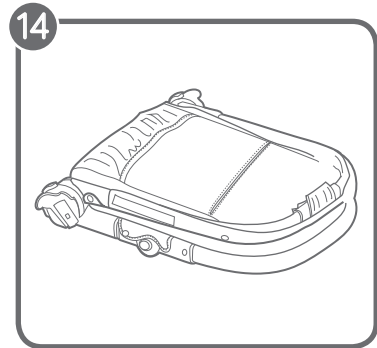
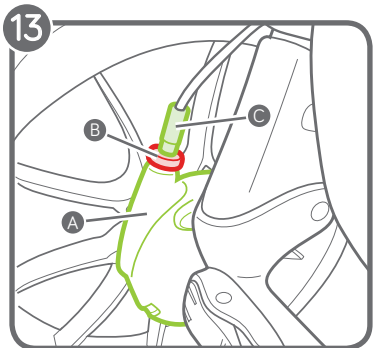
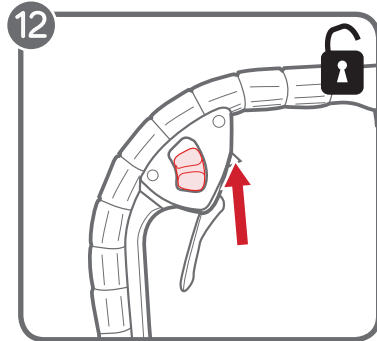
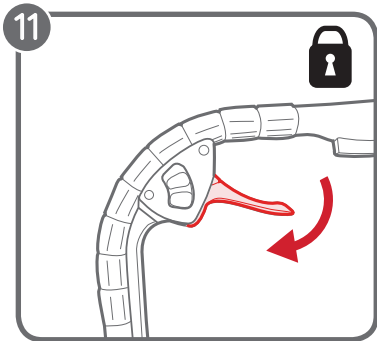
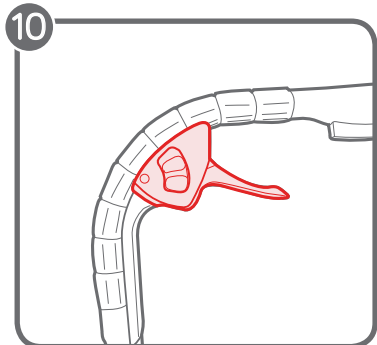
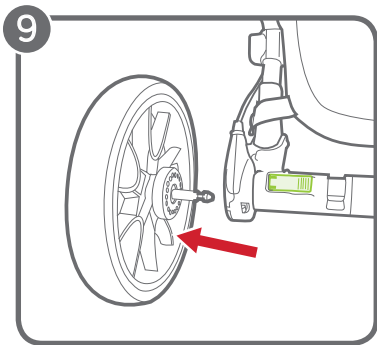


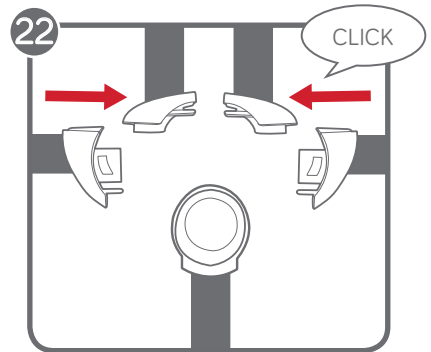
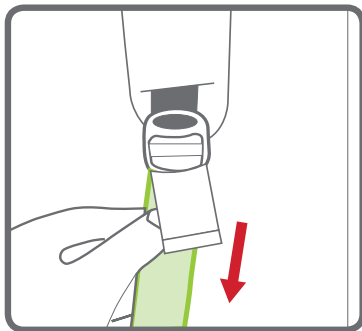
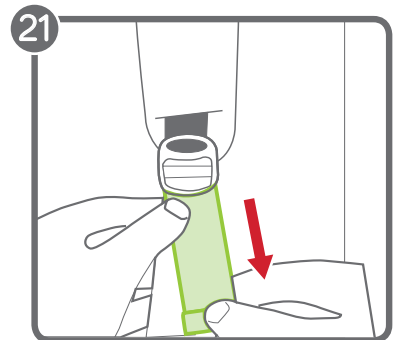
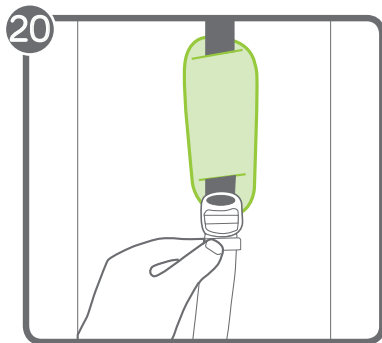
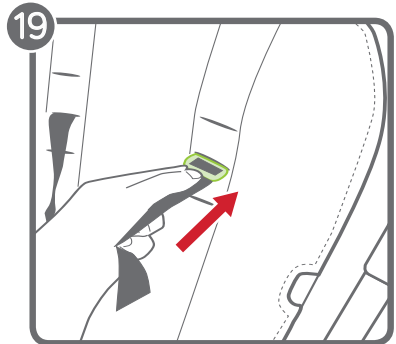
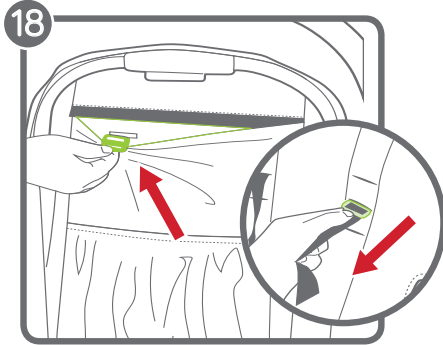
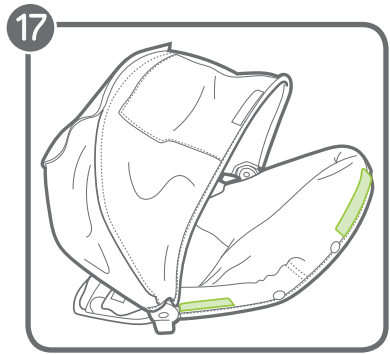
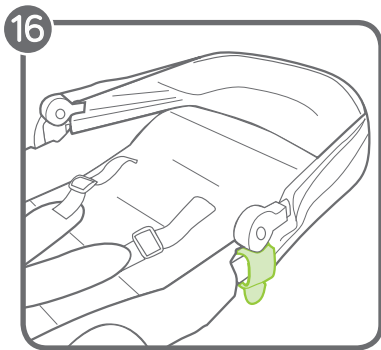
©2017 baby jogger PD349711E 6/17

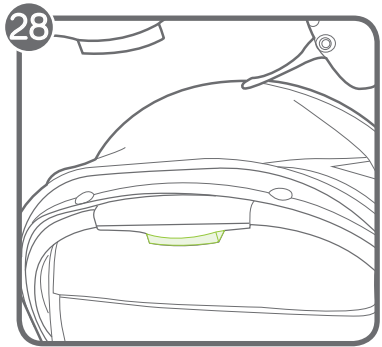
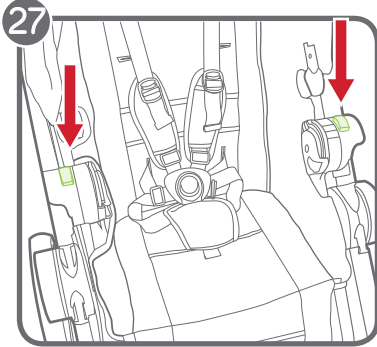
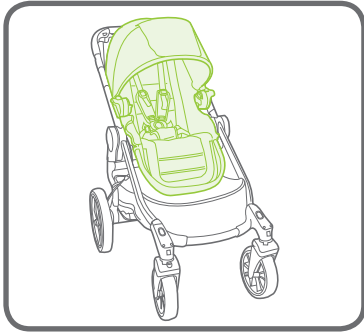
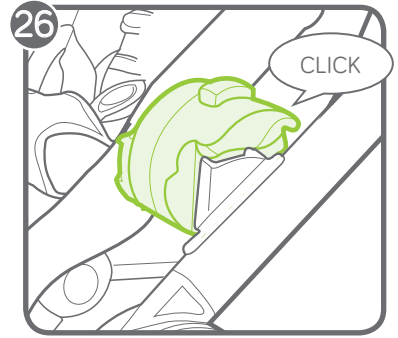
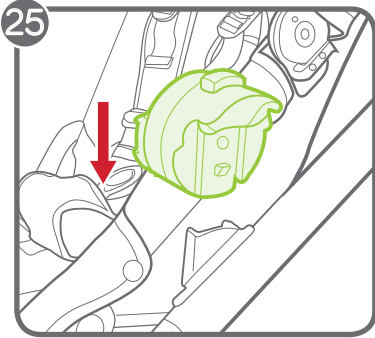
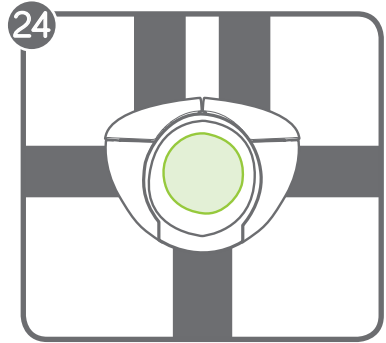
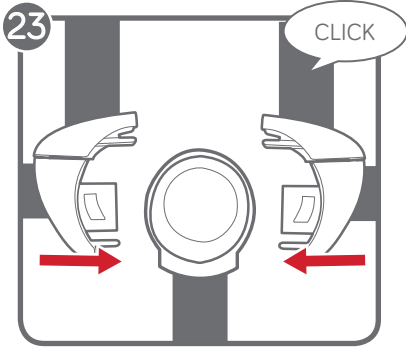


- | | | | |
|----|-----------------------------|----|---------------------------------|
| 1 | Handlebar | 12 | Front Wheel Release Button |
| 2 | Handlebar Adjustment Button | 13 | Footwell |
| 3 | Parking Brake | 14 | Harness Buckle |
| 4 | Parking Brake Lock | 15 | Harness Pads |
| 5 | Seat Mounting Bracket | 16 | Storage Lock |
| 6 | Rear Wheel Release Button | 17 | Canopy |
| 7 | Rear Wheel | 18 | Seat Recline Button |
| 8 | Storage Basket | 19 | 2nd Seat Adapter Mounting Slots |
| 9 | Footwell Adjustment Button | 20 | Quick Fold Handles |
| 10 | Front Wheel | 21 | Accessory Mounting Slots |
| 11 | Swivel/Lock | | |

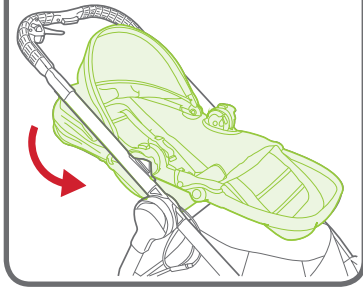




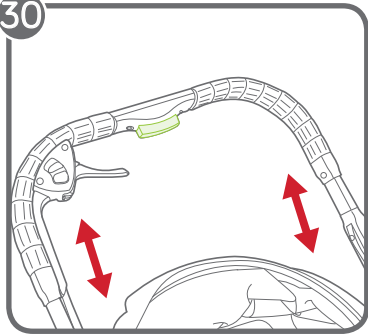




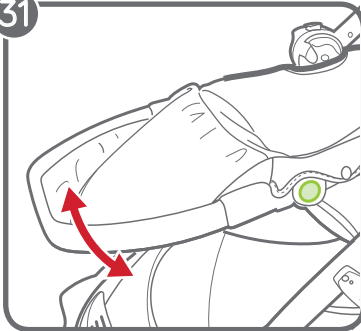
29



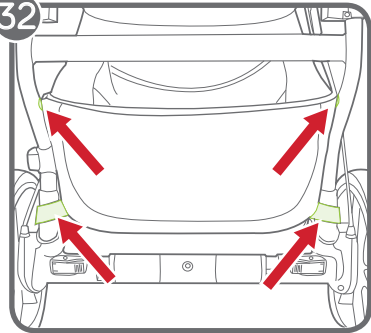
30



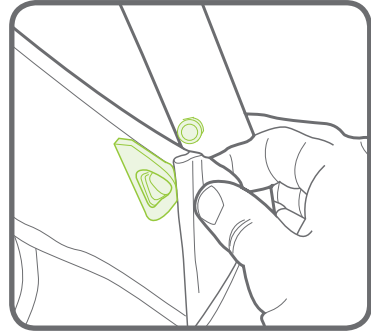
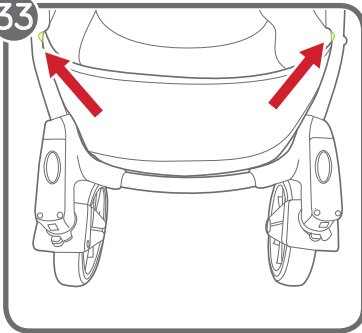
31



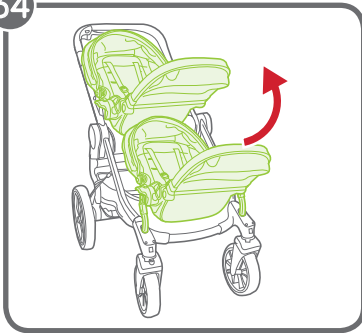
32



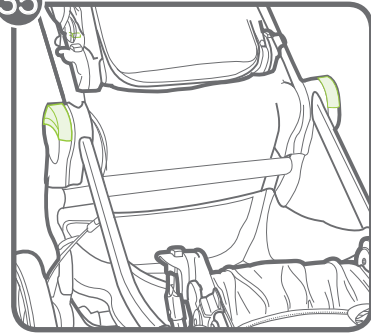
33

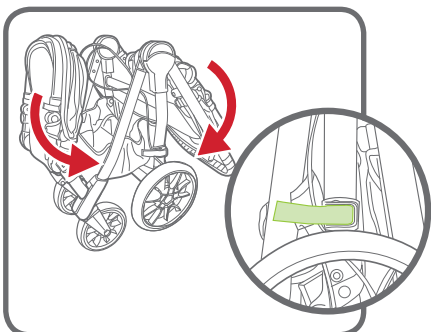
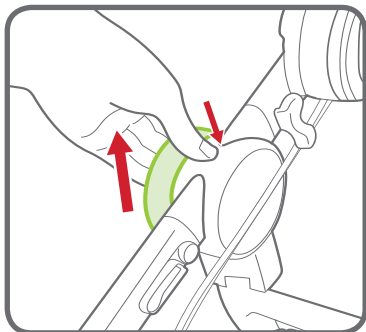


34

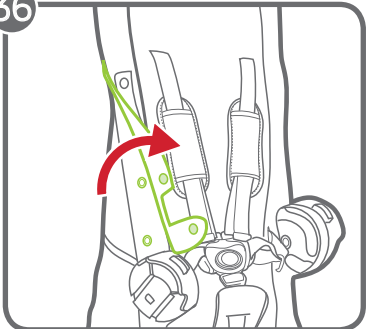


35

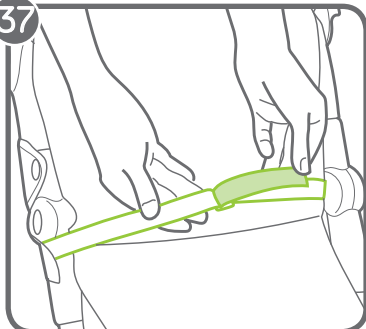




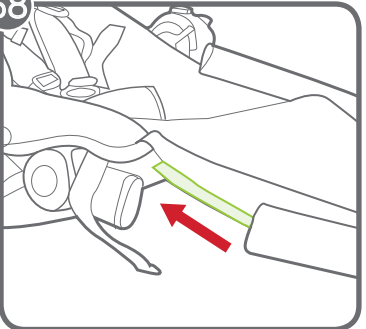
36



37



38



WARNING

IMPORTANT - Keep these instructions for future reference.


Read these instructions carefully before use. Your child's safety may be affected if you do not follow these instructions.


SINGLE STROLLER

- This stroller seats one passenger.


 **WARNING:** NOT RECOMMENDED FOR A CHILD UNDER 6 MONTHS OLD. Maximum weight is 45 lb (20 kg); maximum height is 40 in (101.6 cm).


- Total weight load recommended for this stroller is 57 lb (26 kg). 45 lb (20 kg) in the seat, 2.2 lb (1 kg) in the seat back pocket, and 15 lb (7 kg) in the basket.


 **WARNING:** This stroller is not suitable for running, jogging, skating or rollerblading.


 **WARNING:** Never leave your child unattended.


 **WARNING:** Always use the restraint system.

 **WARNING:** Check that the pram body or seat unit attachment or car seat attachment devices are correctly engaged before use.

 **WARNING:** To avoid injury, ensure that your child is kept away when unfolding and folding this product.

 **WARNING:** Do not let your child play with this product.

 **WARNING:** Parcels or accessory items, or both, placed on the unit may cause the unit to become unstable.

 **WARNING:** Any load attached to the handle affects the stability of the pushchair.

- This seat should be used in the most reclined position until a child can sit up unaided, roll over, or push itself up on it's hands and knees.
- Stroller is not meant to be used for transporting children up or down stairs, travelators or escalators. Damage resulting to stroller will not be covered under warranty.
- This stroller does not replace a cot or a bed. Should your child need to sleep, then it should be placed in a suitable pram body, cot, or bed.

- Accessories which are not approved by Baby Jogger shall not be used.
- Watch out for cars - never assume that a driver can see you and your child.
- The passenger shall remain seated (no standing in the stroller).
- It may be unsafe to use replacement parts other than those supplied or approved by Baby Jogger.


- Always keep fingers away from moving parts when folding, unfolding, or adjusting the stroller to prevent finger/body part entrapment or pinching.


 **WARNING:** TO AVOID INJURY OR DEATH:


- ALWAYS APPLY THE BRAKES WHENEVER THE STROLLER IS STATIONARY.
- DO NOT LEAVE CHILDREN UNATTENDED.
- SECURE THE CHILD IN THE HARNESS AT ALL TIMES.
- DO NOT CARRY EXTRA CHILDREN OR BAGS ON THIS STROLLER.
- MAKE SURE CHILDREN ARE CLEAR OF ANY MOVING PARTS IF YOU ADJUST THE STROLLER.

 **WARNING:** USE THE HARNESS AT ALL TIMES.

 **WARNING:** USE THE STRAP TO STOP THE STROLLER ROLLING AWAY.

 **WARNING:** Never leave the harness buckled when not fitted to a child. The harness can form loops that pose a strangulation hazard to the child.

 **WARNING:** Do not use stroller near open fires or exposed flames.

 **WARNING:** The stroller is designed for flat or gently sloping surfaces and may become unstable on higher sloping and uneven surfaces. Care should be taken by the parent to prevent the stroller from tipping over.

FRAME

- 1 Unpack the stroller frame from the box and set the wheels aside. Unlock the stroller by pulling the Storage Lock Lever.
- 2 Lift the Handlebar away from the lower frame. The stroller will click into place.
- 3 Place the stroller in the upright position.



WARNING: Ensure that all the locking devices are engaged before use.

FRONT WHEEL

- 4 Installation
 - Lay stroller on its back so the Handlebar is resting on the floor.
 - Attach the Front Wheel by sliding it into the front wheel mount until it clicks. Gently pull on the Front Wheel to make sure it is properly attached.
- 5 Removal
 - While pressing the front wheel release button, gently slide the Front Wheel out of the front wheel mount.

SWIVEL FEATURE

- 6 Press the Swivel Lock button down and slide the Swivel Lock to the left to lock the front wheel assembly in a fixed position for long distance strolling.
- 7 Press the Swivel Lock button down and slide the Swivel Lock to the right to allow the front wheel assembly to swivel.



WARNING: When loading and unloading child, lock the front wheel in a fixed position. Although the front wheel of your stroller locks, it is not intended for jogging or exercise purposes.

REAR WHEELS

- 8 Installation
 - Align the Rear Wheel axle with the wheel mount on the stroller frame and insert it into the wheel mount until it clicks into place.
 - Gently pull on the Rear Wheel to make sure it is properly attached.
- 9 Removal
 - While pressing the Wheel Release Button, gently slide the Rear Wheel out of the wheel mount.

BRAKE

- 10 To engage quick brake squeeze on the brake lever.
- 11 To Lock the Brakes: gently push the Brake Lever forward until it clicks into place.
- 12 To Release the Brakes: Pull the Parking brake lock towards you.



WARNING: Lock the brakes before loading and unloading your child and whenever the stroller is not moving.

- 13 If the rear wheels are not breaking together evenly, you may adjust the stroller's brakes. The brake for the wheel that continues to spin even while breaking must be tightened: Locate the adjuster on the wheel hub (A) with the loose brakes. Loosen the brake's short ring (B) to adjust the long cylinder ring (C). Unscrew the long cylinder ring further from the wheel hub (A) to tighten the cable. (Please do not over tighten!) To lock the rings, tighten the short ring (B) against the wheel hub (A) while holding the long cylinder ring (C) in place. Squeeze the Hand Brake gradually to give you better control over your stroller.

SEAT - UNFOLD THE SEAT


- 14 Holding the footwell and the top of the seat, open the seat.
- 15 The seat will lock into its open position.

CANOPY

- 16 Attach the canopy to the frame: Attach the Canopy's brackets to the sides of the seat frame.
- 17 Attach the 2 fastening strips on the canopy to the top of the seat.

ADJUSTING SAFETY HARNESS

- 18 From the back of the seat, undo the fastening strip and open the pocket to locate the plastic square stopper. Turn stopper and pass through the openings in the PE board and seat fabric.
- 19 Reinsert stopper at seat opening closest to child's shoulders. Pass back through seat fabric and PE board. Tug on strap to ensure stopper is locked. Repeat on both sides.

 **WARNING:** Avoid serious injury from falling or sliding out. Always properly adjust and fasten safety harness.

 **WARNING:** Always use the crotch strap in combination with the shoulder straps and waist belt.

20 Slide the Harness Pads up to access plastic guide on strap.

21 Hold the plastic guide and pull strap to tighten or loosen.

USING SAFETY HARNESS

22 Insert side strap buckle into harness buckle on both sides.

23 Insert connected harness and side strap buckles into the sides of the crotch buckle.

24 Press button on crotch buckle to release.

PLACE THE SEAT ON THE FRAME


25 Align the Accessory Mounting Brackets with the mounting brackets on the stroller frame.

26 Slide the seat into the brackets until it clicks into place. Ensure that both sides of the seat are securely fastened into the frame before use.

NOTE: The seat may be installed either forward-facing or rear-facing.

REMOVE THE SEAT

27 Press gray tabs on Mounting Brackets and pull up.

 **WARNING:** Always remove your child from the seat before removing the seat from the frame.

RECLINE THE SEAT

28 Squeeze the Seat Recline Button located at the top of the seat, behind the canopy.

29 Pull down to lower the seat and pull up to raise the seat until it clicks into the desired position.

HANDLE HEIGHT ADJUSTMENT

30 Squeeze the Handle Adjustment Button and slide the handle up or down to the desired length.

ADJUSTABLE FOOTWELL

31 Adjust the angle: Press the Adjustment Buttons on the Footwell and move it up or down until it clicks into the desired position.

BASKET REMOVAL

32 Unfasten the top snaps of the Basket around the middle support bar of the frame. Then unfasten the bottom snaps around the side support bars of the frame.

33 Unhook the top front plastic loop from over the metal knob on the back of the frame. Repeat for the opposite side.

FOLDING

- Remove your child from the seat.
- The stroller may be folded with or without the seat attached, and forward-facing or rear-facing.
- When folding rear-facing, it is recommended that the seat be reclined all the way before folding.

- Always recline the seat to its most upright position and place it in the forward-facing for the most compact fold.

34 Pull up on the seats footwell and fold the seat upwards.

35 Pull up on the quick fold handles and let the frame collapse. Push down on the stroller frame with your thumb to make lifting the quick fold handles easier. Make sure the storage lock lever clicks into place.

- The stroller should be carried by holding the frame in a secure and balanced position to avoid any potential injuries from falls.

REMOVING THE SEAT FABRIC

36 Unsnap the seat fabric from the seat frame.

37 From the back of the seat, unfasten the hook-and-loop and slide the strap through the D-ring.

38 Press the Footwell Adjustment Buttons and pull out on the Footwell to remove the footwell bar from the seat frame. Pull the seat fabric out of the channel in the Footwell bar.

CARE AND MAINTENANCE

To preserve the longevity of your stroller, it is important to perform simple, regular maintenance. From time to time, make sure that the joints and folding areas are still in good condition. If you hear any squeaking or feel tension, you can take your stroller to a local bike shop for added lubrication. All repairs should only be carried out by an authorized dealer.

WASHING

Seat Fabric

- You can machine wash your stroller's seat in cold water with a mild detergent.
- Be sure to remove the metal frame and PE boards from the seat before washing.
- Do not use solvents, caustic or abrasive cleaning materials.
- To minimize shrinkage, simply reattach the seat to the frame to dry.
- Do not press, iron, dry clean, tumble dry or wring the fabric.
- If the seat covers need to be replaced, only use parts from a Baby Jogger Authorized Dealer. They are the only ones that are guaranteed to have been safety tested and designed to fit this seat.

Plastic/Metal Parts

- Wipe clean using a mild soap and warm water.
- You must not remove, dismantle or alter any part of the seat folding mechanism or brakes.

Wheel Care

- The wheels can be cleaned using a damp cloth. They will need to be dried completely with a soft towel or cloth.

STORING

- Sunshine can fade seat fabric and dry out tires, so storing your stroller indoors will prolong its good looks.
- DO NOT store outside.
- Ensure that the stroller is dry before storing for prolonged periods.
- Always store the stroller in a dry environment.
- Store the stroller in a safe place when not in use (i.e. where children cannot play with it).
- DO NOT place heavy objects on top of the stroller.
- DO NOT store the stroller near a direct heat source such as a radiator or fire.

REGISTER YOUR STROLLER ONLINE AT www.babyjogger.com/register

Baby Jogger's Limited Lifetime Warranty:

Baby Jogger warrants that the frame is free of manufacturer defects for the lifetime of the product. Manufacturer's defects include but are not limited to the breaking of welds and frame tube damage. Textile or soft side materials and all other components shall be warranted for one year from the date of purchase (except for tubes and tires). Proof of purchase is required to make a warranty claim and the warranty is only extended to the original purchaser.

THIS WARRANTY DOES NOT COVER:

- Normal wear and tear
- Corrosion or rust
- Incorrect assembly, or the installation of third party parts or accessories not compatible with the original design
- Accidental or intentional damage, abuse or neglect, or use on stairs or escalators.
- Commercial use
- Improper storage/care of the unit

This warranty specifically excludes claims for indirect, incidental, or consequential damages. The implied warranties of merchantability and fitness for a particular purpose is according to the specific warranty period for this model unit at time of purchase. Some states do not allow the exclusion or limitation of incidental or consequential damages, so the above limitations or exclusions may not apply to you. This warranty gives you specific legal rights, and you may also have other rights which vary from state to state. To know what your legal rights are in your state, consult your local or state consumer affairs office or your State's Attorney General.



If your stroller was purchased outside of the United States, please contact the distributor in the country nearest you. Their contact information can be found on our website at <http://www.babyjogger.com/retailers/#international>. Claims for warranty outside of the country in which the product was purchased may incur shipping charges.

NOTE: When contacting Baby Jogger distributor regarding your stroller, please have your stroller's serial number and manufacturing date ready. It can be found on the right fold mechanism.

IN AUSTRALIA CONTACT:

Call: 1300661885
 Fax: 0398731433
 Mail: The Amazing Baby Company
 11 Maurice Court
 Nunawading, Victoria 3131
 Australia

IN NEW ZEALAND CONTACT:

Call: (64) 033387613
 Fax: (64) 033387615
 Mail: Baby First Limited
 10 Moncur Place
 Middleton
 Christchurch, 8024
 New Zealand

NOTES:

NOTES:

baby
jogger®