

STAINLESS STEEL HINGES



Quality Hinges Since 1939

August 2016

Cover Project: *Old Parliament House*

McCALLUM
AUSTRALIA

Quality Hinges Since 1939

'Old Parliament House' was the house of the Australian parliament from 1927 to 1988. The building was operational on 9 May 1927 and was set to be a temporary base for the Commonwealth Parliament after relocating from Melbourne to the new capital, Canberra. In 1988, the parliament was moved to the newly erected, 'New Parliament House' on Capital Hill.

On 2 May 2008, Old Parliament House was made an Executive Agency of the Department of the Prime Minister and Cabinet. On 9 May 2009, the Executive Agency was renamed the Museum of Australian Democracy at Old Parliament House, reporting to the Special Minister of State. The various rooms and halls also serves as a venue for temporary exhibitions, lectures and concerts.

Designed by John Smith Murdoch his assistants from the Department of Works and Railways, the building was originally intended for neither temporary nor permanent use but as a 'provisional' building. The building was designed in the Simplified or "Stripped" Classical Style which was common for Australian government buildings at that time. This means it does not include such classical architectural elements as columns, entablatures or pediments, but does include the orderliness and symmetry associated with neoclassical architecture.

Over the years, millions of people have moved through the building both as workers and guests. It was thus required in the design and construction that all materials and parts were to be of the highest standard - even if it was proposed to only serve for a short time (50 years). With recent renovations, restorations and maintenance, McCallum Australia has been the choice of Hinge supplier for the various applications throughout the building.



CONTENTS

Butt Hinges

S 210 (S10060 SFP)	4
S 211 (S10060 SLP)	6
S 220 (S10075 SFP)	8
S 221 (S10075 SLP)	10
S 222 (S10075 PFP)	12
S 223 (S10075 PLP)	14
S 224 (SB10075 SFP)	16
S 225 (SB10075 PFP)	18
S 226	20
S 230 (S100100 SFP)	26
S 231 (S100100 SLP)	28
S 232 (S100100 PFP)	30
S 233 (S100100 PLP)	32
S 234 (SB100100 SFP)	34
S 235 (SB100100 PFP)	36
S 236	38
S 240 (SB100150)	40
S 241 (SB100200)	42

316 Hinges

S 252	54
S 253	56
S 254	58
S 255	60

Interfold Hinges

S 260	70
S 261 (S801)	72
S 262 (S801 T)	74
S 263 (S104 S)	76

Lift - Off Hinges

S 201 (S102 LH)	90
S 202 (S102 RH)	92
S 203 (Universal)	94

Specialty Hinges

S 271	100
S 275 (S 7545)	102
S 277	104
S 278	106
S 279	108

* PLEASE NOTE: We are currently updating a number of our codes across our range or products. The new code numbers are listed above with the old code beside in brackets. Thank you for your patience, McCallum Australia. *

BUTT HINGES

STAINLESS STEEL BUTT HINGE

Code No. S 210

APPLICATION

- Suitable for aluminium and timber doors with aluminium, steel and timber frames.

SPECIFICATION

- **Material:** Stainless Steel **304** Grade.
- **Pin Dia:** 6.9mm - Stainless Steel **304** Grade.
- **Knuckle:** Round
- **Endcaps:** Pressed-in interference fit. Stainless Steel **304** Grade.
- Stamped with M^cCallum crest.
- Fixed Pin.

INSTALLATION GUIDE ONLY

- **Door thickness: Minimum 30mm.**
- When using a door closer, we recommend a minimum of 4 hinges be used, with the top hinge located as high as possible.
- Standard Door: 2040 (H) x 820 (W) - 3 hinges.

FIXING

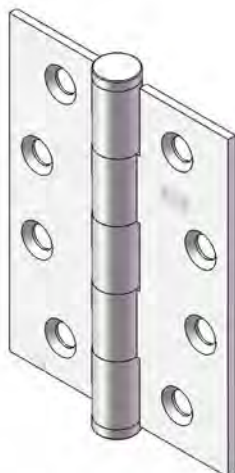
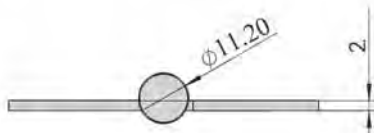
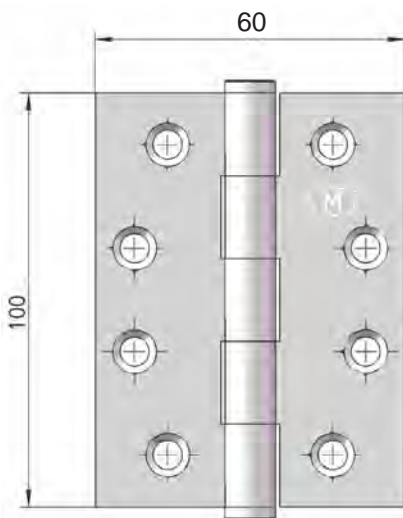
- 32mm x 10g stainless steel fasteners for timber (supplied).
- 12mm x M5 stainless steel metal fasteners (supplied).
- Pop rivets are not recommended.
- Not recommended for Bi-Fold door systems.

FINISH

- Satin finish.

OLD CODE NO.

- S10060 SFP

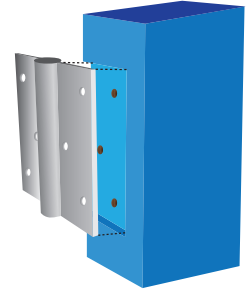


Code No. S 210

RECESS MOUNTED HINGE INFORMATION

Standard Application:

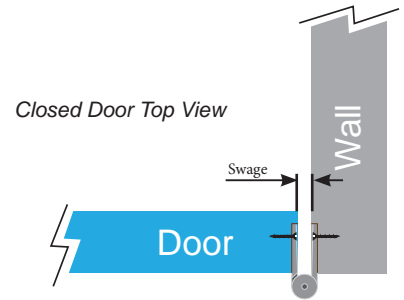
- The top hinge is 127mm down from the frame rebate to top of the hinge.
- Bottom hinge 254mm from bottom edge of barrel to finished floor.
- The third hinge is centered between the top and bottom hinges (if more than three hinges used, distance is equal for all between the top and bottom hinges.).
- See Example Door A.
- The hinge is to be recessed into the frame door to a depth equal to the thickness of the hinge leaf. This should also be done to the edge of the door to be swung.
- There will be a gap between the frame and the door edge equal to the distance between the two hinges when in the closed position (known as the 'Swage'). See Closed Door Top View diagram.
- Space out and mark all holes for pre-drilling before attaching the hinges.



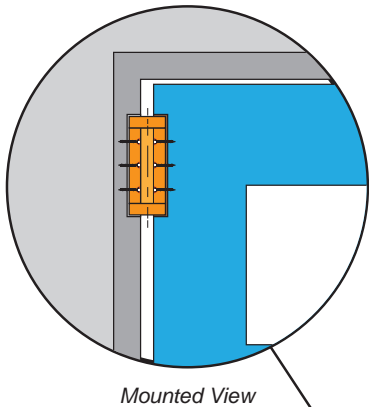
Recess, Pre-drill and Mount

With Door Closer:

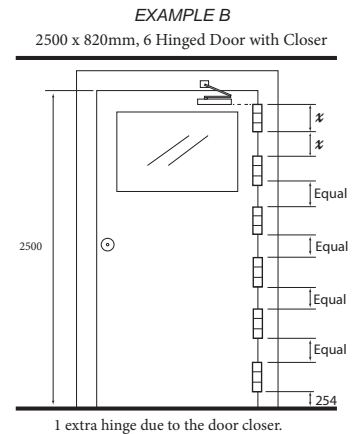
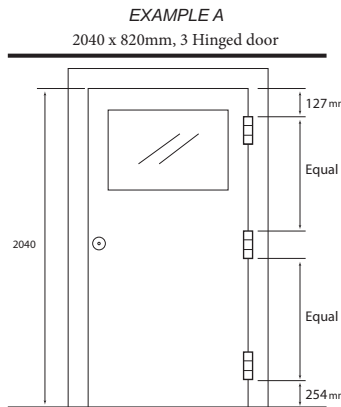
- If you are using a door closer, you will need to add an extra hinge on top of the advised chart.
- The spacing between the top two hinges should be the same as the length of the hinge.
- The first hinge should be as close (high) as possible to the door closer. The second should then be spaced equal to the hinge size (length) down the door. All subsequent hinges should be evenly spaced thereafter. See Example Door B.



Closed Door Top View



Mounted View



Number of Hinges Required per Door Size	
820 - 900 mm (W)	
2100 mm (H)	3
2300 mm (H)	4
2500 mm (H)	5
*All information is regarded as generic unless specified in writing by us. Contact us for custom sizes and further information.	

STAINLESS STEEL BUTT HINGE

Code No. S 211

APPLICATION

- Suitable for aluminium and timber doors with aluminium, steel and timber frames.

SPECIFICATION

- **Material:** Stainless Steel **304** Grade.
- **Pin:** 6.9mm - Stainless Steel **304** Grade Punch-Out Pin.
- **Knuckle:** Round
- **Endcaps:** Pressed-in interference fit. Stainless Steel **304** Grade.
- Stamped with McCallum crest.
- Loose Pin.

INSTALLATION GUIDE ONLY

- **Door thickness: Minimum 30mm.**
- When using a door closer, we recommend a minimum of 4 hinges be used, with the top hinge located as high as possible.
- Standard Door: 2040 (H) x 820 (W) - 3 hinges.

FIXING

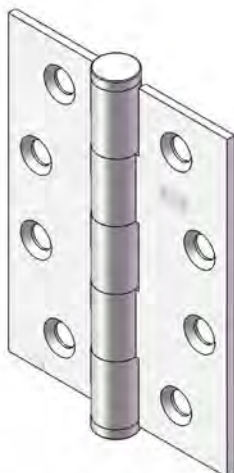
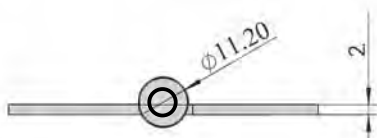
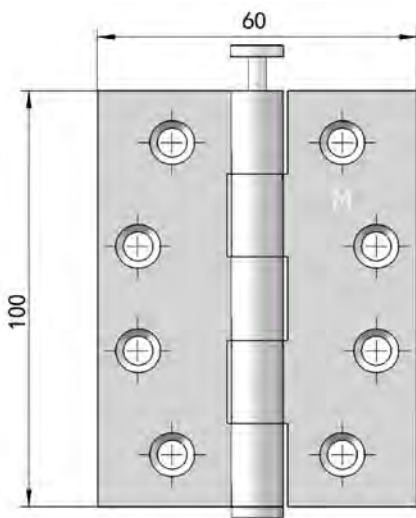
- 32mm x 10g stainless steel fasteners for timber (supplied).
- 12mm x M5 stainless steel metal fasteners (supplied).
- Pop rivets are not recommended.
- Not recommended for Bi-Fold door systems.

FINISH

- Satin finish.

OLD CODE NO.

- S10060 SLP

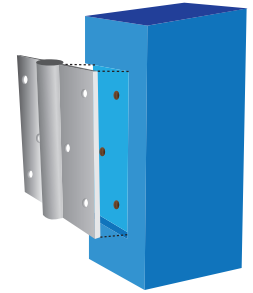


Code No. S 211

RECESS MOUNTED HINGE INFORMATION

Standard Application:

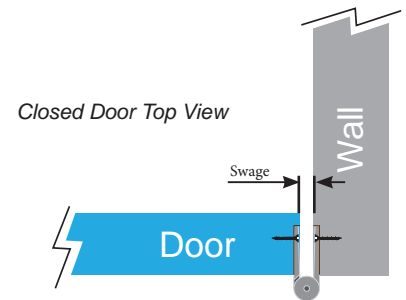
- The top hinge is 127mm down from the frame rebate to top of the hinge.
- Bottom hinge 254mm from bottom edge of barrel to finished floor.
- The third hinge is centered between the top and bottom hinges (if more than three hinges used, distance is equal for all between the top and bottom hinges.).
- See Example Door A.
- The hinge is to be recessed into the frame door to a depth equal to the thickness of the hinge leaf. This should also be done to the edge of the door to be swung.
- There will be a gap between the frame and the door edge equal to the distance between the two hinges when in the closed position (known as the 'Swage'). See Closed Door Top View diagram.
- Space out and mark all holes for pre-drilling before attaching the hinges.



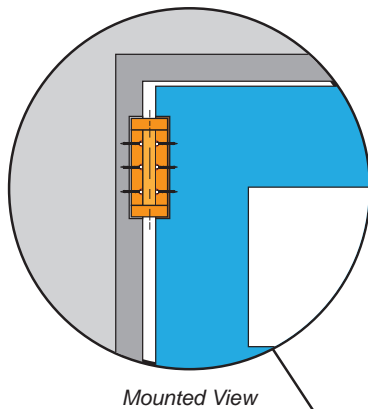
Recess, Pre-drill and Mount

With Door Closer:

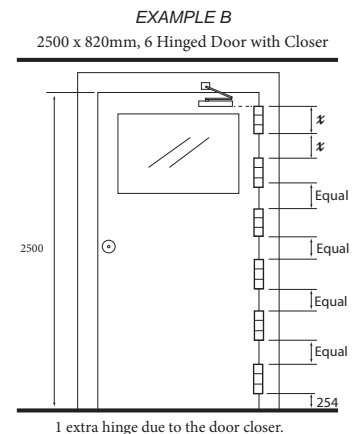
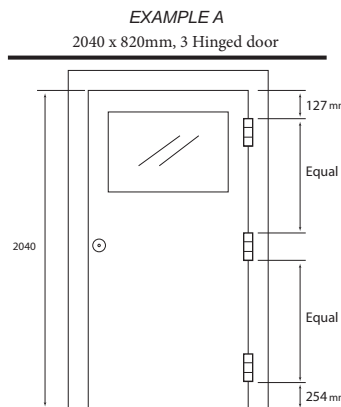
- If you are using a door closer, you will need to add an extra hinge on top of the advised chart.
- The spacing between the top two hinges should be the same as the length of the hinge.
- The first hinge should be as close (high) as possible to the door closer. The second should then be spaced equal to the hinge size (length) down the door. All subsequent hinges should be evenly spaced thereafter. See Example Door B.



Closed Door Top View



Mounted View



Number of Hinges Required per Door Size	
820 - 900 mm (W)	
2100 mm (H)	3
2300 mm (H)	4
2500 mm (H)	5
*All information is regarded as generic unless specified in writing by us. Contact us for custom sizes and further information.	

STAINLESS STEEL BUTT HINGE

Code No. S 220

APPLICATION

- Suitable for aluminium and timber doors with aluminium, steel and timber frames.

SPECIFICATION

- **Material:** Stainless Steel **304** Grade.
- **Pin Dia:** 6.9mm - Stainless Steel **304** Grade.
- **Knuckle:** Round
- **Endcaps:** Pressed-in interference fit. Stainless Steel **304** Grade.
- Stamped with McCallum crest.
- Fixed Pin.

INSTALLATION GUIDE ONLY

- **Door thickness: Minimum 35mm.**
- When using a door closer, we recommend a minimum of 4 hinges be used, with the top hinge located as high as possible.
- Standard Door: 2040 (H) x 820 (W) - 3 hinges.

FIXING

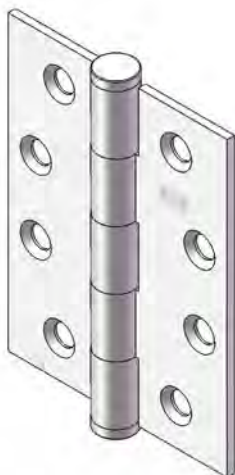
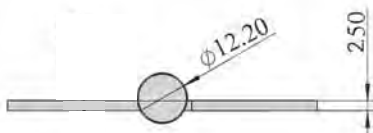
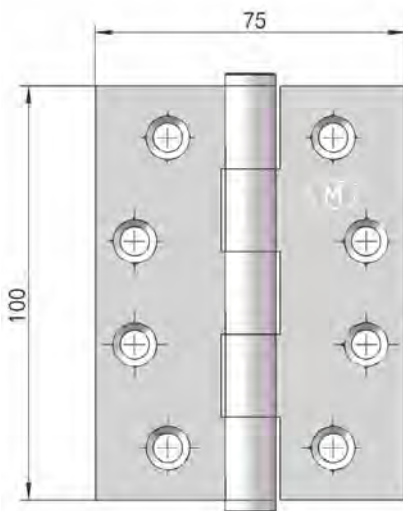
- 32mm x 10g stainless steel fasteners for timber (supplied).
- 12mm x M5 stainless steel metal fasteners (supplied).
- Pop rivets are not recommended.
- Not recommended for Bi-Fold door systems.

FINISH

- Satin finish.

OLD CODE NO.

- S10075 SFP

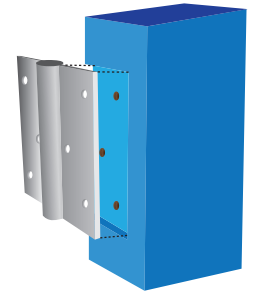


Code No. S 220

RECESS MOUNTED HINGE INFORMATION

Standard Application:

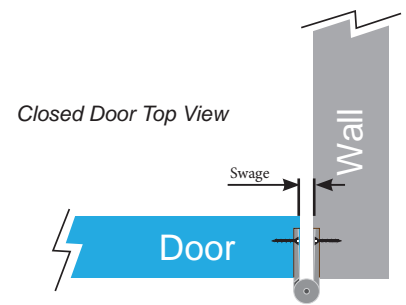
- The top hinge is 127mm down from the frame rebate to top of the hinge.
- Bottom hinge 254mm from bottom edge of barrel to finished floor.
- The third hinge is centered between the top and bottom hinges (if more than three hinges used, distance is equal for all between the top and bottom hinges.).
- See Example Door A.
- The hinge is to be recessed into the frame door to a depth equal to the thickness of the hinge leaf. This should also be done to the edge of the door to be swung.
- There will be a gap between the frame and the door edge equal to the distance between the two hinges when in the closed position (known as the 'Swage'). See Closed Door Top View diagram.
- Space out and mark all holes for pre-drilling before attaching the hinges.



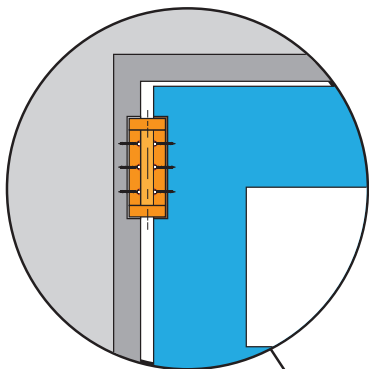
Recess, Pre-drill and Mount

With Door Closer:

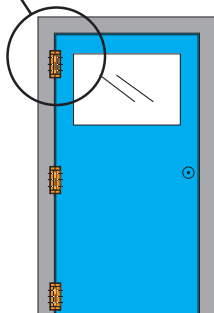
- If you are using a door closer, you will need to add an extra hinge on top of the advised chart.
- The spacing between the top two hinges should be the same as the length of the hinge.
- The first hinge should be as close (high) as possible to the door closer. The second should then be spaced equal to the hinge size (length) down the door. All subsequent hinges should be evenly spaced thereafter. See Example Door B.



Closed Door Top View

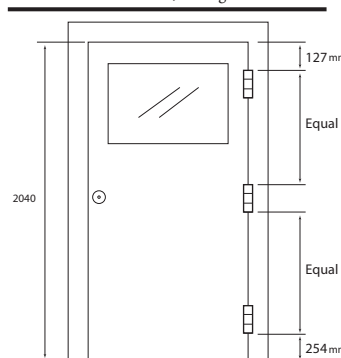


Mounted View



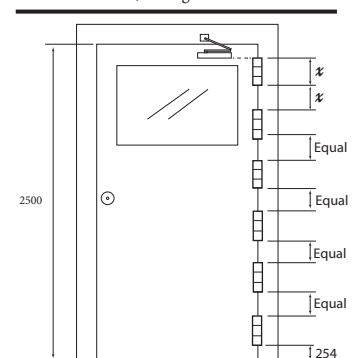
EXAMPLE A

2040 x 820mm, 3 Hinged door



EXAMPLE B

2700 x 920mm, 6 Hinged Door with Closer



1 extra hinge due to the door closer.

Number of Hinges Required per Door Size

	820 - 900 mm (W)	900 - 1000 mm (W)
2100 mm (H) to 2300 mm (H)	3	4
2500 mm (H) to 2700 mm (H)	4	5
2900 mm (H)	5	6

*All information is regarded as generic unless specified in writing by us.
 Contact us for custom sizes and further information.

STAINLESS STEEL BUTT HINGE

Code No. S 221

APPLICATION

- Suitable for aluminium and timber doors with aluminium, steel and timber frames.

SPECIFICATION

- **Material:** Stainless Steel **304** Grade.
- **Pin:** 6.9mm - Stainless Steel **304** Grade Punch-Out Pin.
- **Knuckle:** Round
- **Endcaps:** Pressed-in interference fit. Stainless Steel **304** Grade.
- Stamped with McCallum crest.
- Loose Pin.

INSTALLATION GUIDE ONLY

- **Door thickness: Minimum 35mm.**
- When using a door closer, we recommend a minimum of 4 hinges be used, with the top hinge located as high as possible.
- Standard Door: 2040 (H) x 820 (W) - 3 hinges.

FIXING

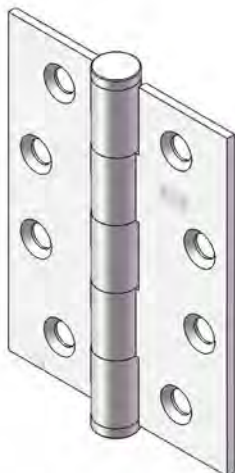
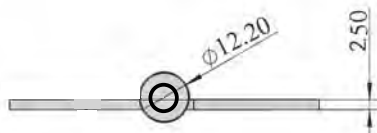
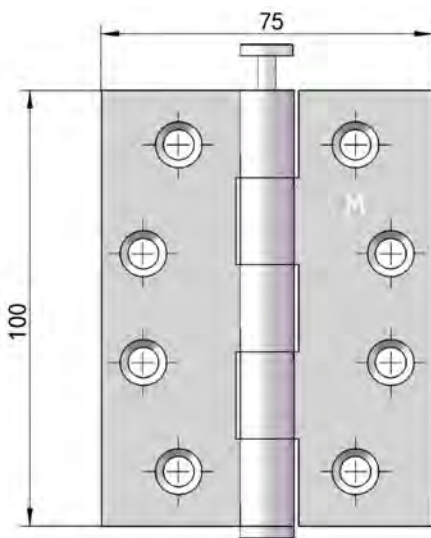
- 32mm x 10g stainless steel fasteners for timber (supplied).
- 12mm x M5 stainless steel metal fasteners (supplied).
- Pop rivets are not recommended.
- Not recommended for Bi-Fold door systems.

FINISH

- Satin finish.

OLD CODE NO.

- S10075 SLP

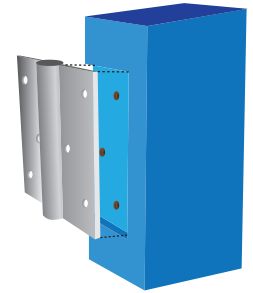


Code No. S 221

RECESS MOUNTED HINGE INFORMATION

Standard Application:

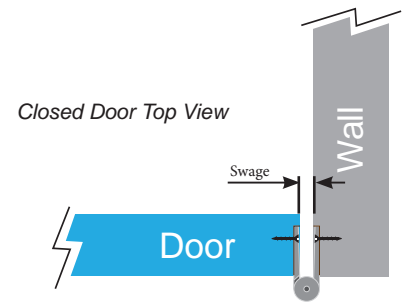
- The top hinge is 127mm down from the frame rebate to top of the hinge.
- Bottom hinge 254mm from bottom edge of barrel to finished floor.
- The third hinge is centered between the top and bottom hinges (if more than three hinges used, distance is equal for all between the top and bottom hinges.).
- See Example Door A.
- The hinge is to be recessed into the frame door to a depth equal to the thickness of the hinge leaf. This should also be done to the edge of the door to be swung.
- There will be a gap between the frame and the door edge equal to the distance between the two hinges when in the closed position (known as the 'Swage'). See Closed Door Top View diagram.
- Space out and mark all holes for pre-drilling before attaching the hinges.



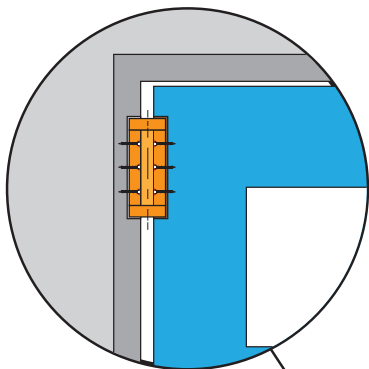
Recess, Pre-drill and Mount

With Door Closer:

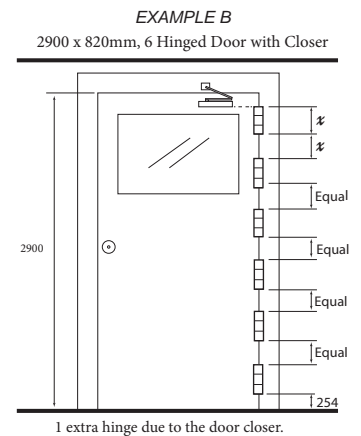
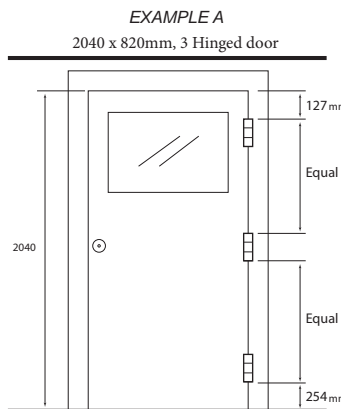
- If you are using a door closer, you will need to add an extra hinge on top of the advised chart.
- The spacing between the top two hinges should be the same as the length of the hinge.
- The first hinge should be as close (high) as possible to the door closer. The second should then be spaced equal to the hinge size (length) down the door. All subsequent hinges should be evenly spaced thereafter. See Example Door B.



Closed Door Top View



Mounted View



Number of Hinges Required per Door Size	
	820 - 900 mm (W)
2100 mm (H) to 2300 mm (H)	3
2500 mm (H) to 2700 mm (H)	4
2900 mm (H)	5
*All information is regarded as generic unless specified in writing by us. Contact us for custom sizes and further information.	

STAINLESS STEEL BUTT HINGE

Code No. S 222

APPLICATION

- Suitable for aluminium and timber doors with aluminium, steel and timber frames.

SPECIFICATION

- **Material:** Stainless Steel **304** Grade.
- **Pin Dia:** 6.9mm - Stainless Steel **304** Grade.
- **Knuckle:** Round
- **Endcaps:** Pressed-in interference fit. Stainless Steel **304** Grade.
- Stamped with McCallum crest.
- Fixed Pin.

INSTALLATION GUIDE ONLY

- **Door thickness: Minimum 35mm.**
- When using a door closer, we recommend a minimum of 4 hinges be used, with the top hinge located as high as possible.
- Standard Door: 2040 (H) x 820 (W) - 3 hinges.

FIXING

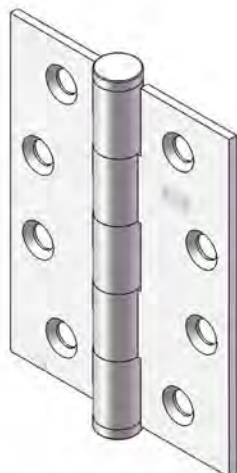
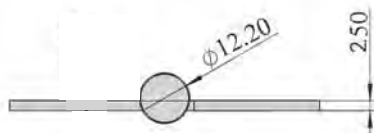
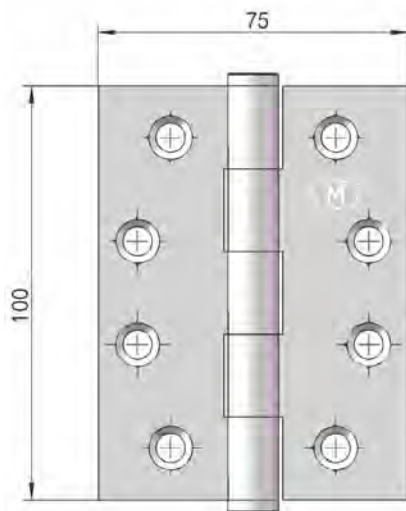
- 32mm x 10g stainless steel fasteners for timber (supplied).
- 12mm x M5 stainless steel metal fasteners (supplied).
- Pop rivets are not recommended.
- Not recommended for Bi-Fold door systems.

FINISH

- Polished Stainless Steel.

OLD CODE NO.

- S10075 PFP

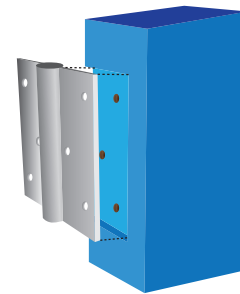


Code No. S 222

RECESS MOUNTED HINGE INFORMATION

Standard Application:

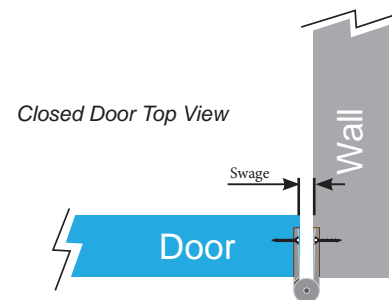
- The top hinge is 127mm down from the frame rebate to top of the hinge.
- Bottom hinge 254mm from bottom edge of barrel to finished floor.
- The third hinge is centered between the top and bottom hinges (if more than three hinges used, distance is equal for all between the top and bottom hinges.).
- See Example Door A.
- The hinge is to be recessed into the frame door to a depth equal to the thickness of the hinge leaf. This should also be done to the edge of the door to be swung.
- There will be a gap between the frame and the door edge equal to the distance between the two hinges when in the closed position (known as the 'Swage'). See Closed Door Top View diagram.
- Space out and mark all holes for pre-drilling before attaching the hinges.



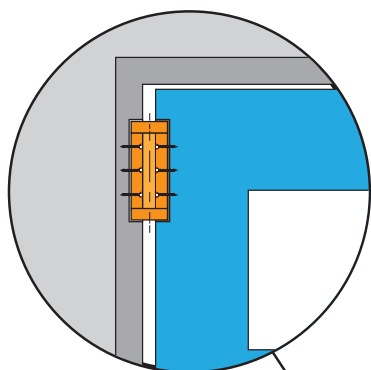
Recess, Pre-drill and Mount

With Door Closer:

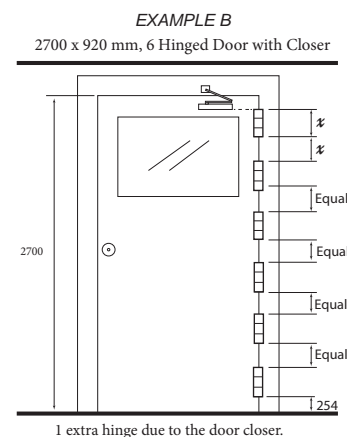
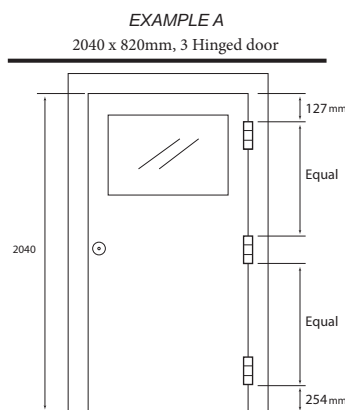
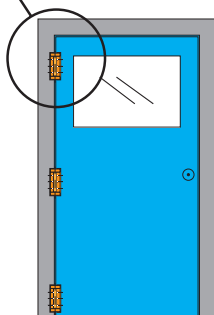
- If you are using a door closer, you will need to add an extra hinge on top of the advised chart.
- The spacing between the top two hinges should be the same as the length of the hinge.
- The first hinge should be as close (high) as possible to the door closer. The second should then be spaced equal to the hinge size (length) down the door. All subsequent hinges should be evenly spaced thereafter. See Example Door B.



Closed Door Top View



Mounted View



Number of Hinges Required per Door Size		
	820 - 900 mm (W)	900 - 1000 mm (W)
2100 mm (H)	3	4
2300 mm (H)	3	4
2500 mm (H)	4	5
2700 mm (H)	5	6
2900 mm (H)	6	7
*All information is regarded as generic unless specified in writing by us. Contact us for custom sizes and further information.		

STAINLESS STEEL BUTT HINGE

Code No. S 223

APPLICATION

- Suitable for aluminium and timber doors with aluminium, steel and timber frames.

SPECIFICATION

- **Material:** Stainless Steel **304** Grade.
- **Pin:** 6.9mm - Stainless Steel **304** Grade Punch-Out Pin.
- **Knuckle:** Round
- **Endcaps:** Pressed-in interference fit. Stainless Steel **304** Grade.
- Stamped with McCallum crest.
- Loose Pin.

INSTALLATION GUIDE ONLY

- **Door thickness: Minimum 35mm.**
- When using a door closer, we recommend a minimum of 4 hinges be used, with the top hinge located as high as possible.
- Standard Door: 2040 (H) x 820 (W) - 3 hinges.

FIXING

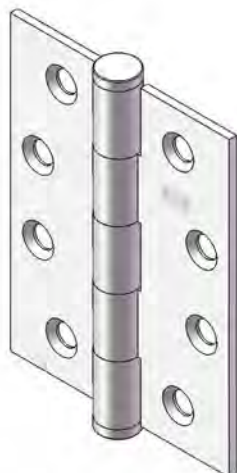
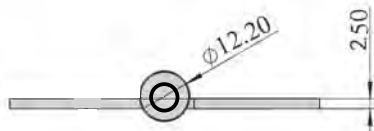
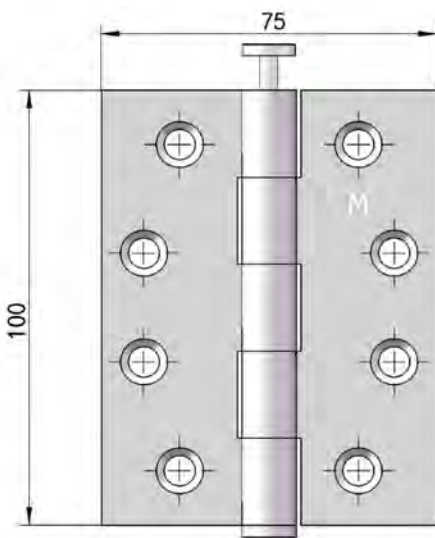
- 32mm x 10g stainless steel fasteners for timber (supplied).
- 12mm x M5 stainless steel metal fasteners (supplied).
- Pop rivets are not recommended.
- Not recommended for Bi-Fold door systems.

FINISH

- Polished Stainless Steel.

OLD CODE NO.

- S10075 PLP

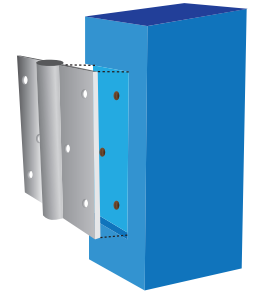


Code No. S 223

RECESS MOUNTED HINGE INFORMATION

Standard Application:

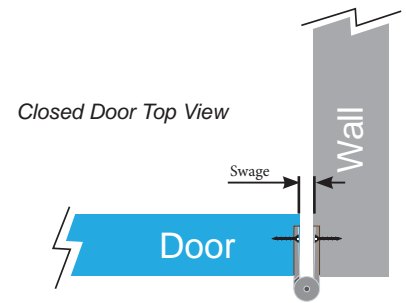
- The top hinge is 127mm down from the frame rebate to top of the hinge.
- Bottom hinge 254mm from bottom edge of barrel to finished floor.
- The third hinge is centered between the top and bottom hinges (if more than three hinges used, distance is equal for all between the top and bottom hinges.).
- See Example Door A.
- The hinge is to be recessed into the frame door to a depth equal to the thickness of the hinge leaf. This should also be done to the edge of the door to be swung.
- There will be a gap between the frame and the door edge equal to the distance between the two hinges when in the closed position (known as the 'Swage'). See Closed Door Top View diagram.
- Space out and mark all holes for pre-drilling before attaching the hinges.



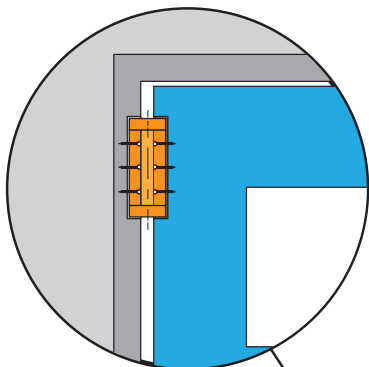
Recess, Pre-drill and Mount

With Door Closer:

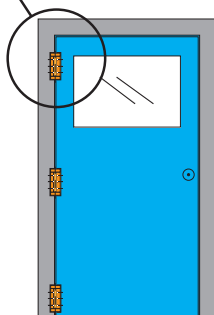
- If you are using a door closer, you will need to add an extra hinge on top of the advised chart.
- The spacing between the top two hinges should be the same as the length of the hinge.
- The first hinge should be as close (high) as possible to the door closer. The second should then be spaced equal to the hinge size (length) down the door. All subsequent hinges should be evenly spaced thereafter. See Example Door B.



Closed Door Top View

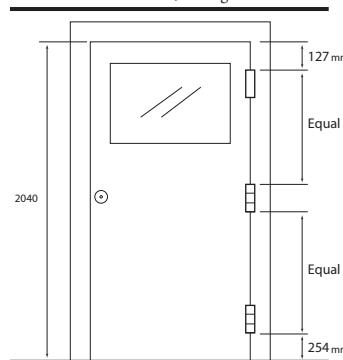


Mounted View



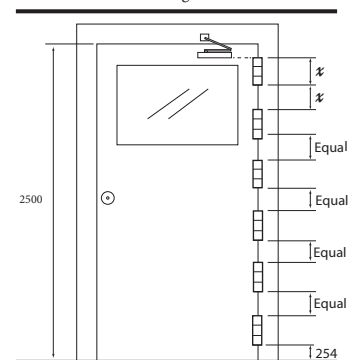
EXAMPLE A

2040 x 820mm, 3 Hinged door



EXAMPLE B

2500 x 900mm, 6 Hinged Door with Closer



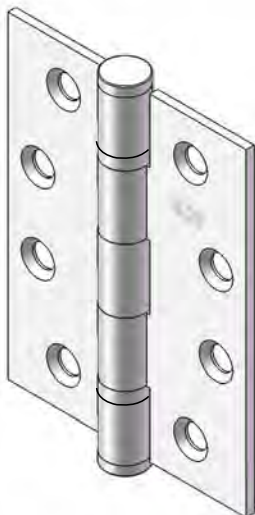
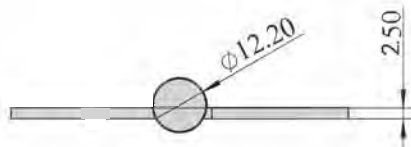
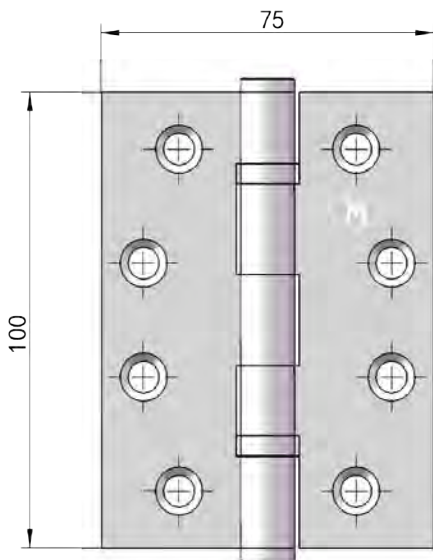
Number of Hinges Required per Door Size

	820 - 900 mm (W)
2100 mm (H) to 2300 mm (H)	3
2500 mm (H) to 2700 mm (H)	4
2900 mm (H)	5

*All information is regarded as generic unless specified in writing by us.
 Contact us for custom sizes and further information.

STAINLESS STEEL BEARING BUTT HINGE

Code No. S 224



APPLICATION

- Suitable for aluminium and timber doors with aluminium, steel and timber frames.

SPECIFICATION

- **Material:** Stainless Steel **304** Grade.
- **Pin Dia:** 6.9mm - Stainless Steel **304** Grade.
- **Knuckle:** Round
- **Endcaps:** Pressed-in interference fit. Stainless Steel **304** Grade.
- Stamped with McCallum crest.
- Fixed Pin.
- **Bearings:** 2 Stainless Steel Off-Cage Ball Bearings.

INSTALLATION GUIDE ONLY

- **Door thickness: Minimum 35mm.**
- When using a door closer, we recommend a minimum of 4 hinges be used, with the top hinge located as high as possible.
- Standard Door: 2040 (H) x 820 (W) - 3 hinges.

FIXING

- 32mm x 10g stainless steel fasteners for timber (supplied).
- 12mm x M5 stainless steel metal fasteners (supplied).
- Pop rivets are not recommended.
- Not recommended for Bi-Fold door systems.

FINISH

- Satin finish.

OLD CODE NO.

- SB10075 SFP

SPECIAL NOTE

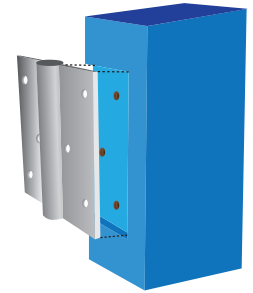
- The S 224 meets the UK and the Council of European Communities standard for Pedestrian access doors, including fire and smoke doors. The EC certificate of Conformity is 359-CPD-0043 / EN 1935:2002 / AC : 2003.

Code No. S 224

RECESS MOUNTED HINGE INFORMATION

Standard Application:

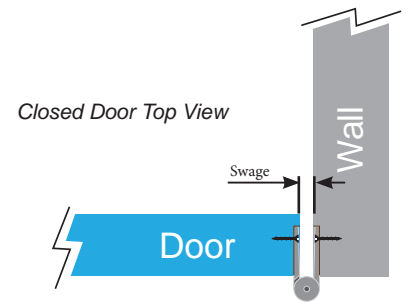
- The top hinge is 127mm down from the frame rebate to top of the hinge.
- Bottom hinge 254mm from bottom edge of barrel to finished floor.
- The third hinge is centered between the top and bottom hinges (if more than three hinges used, distance is equal for all between the top and bottom hinges.).
- See Example Door A.
- The hinge is to be recessed into the frame door to a depth equal to the thickness of the hinge leaf. This should also be done to the edge of the door to be swung.
- There will be a gap between the frame and the door edge equal to the distance between the two hinges when in the closed position (known as the 'Swage'). See Closed Door Top View diagram.
- Space out and mark all holes for pre-drilling before attaching the hinges.



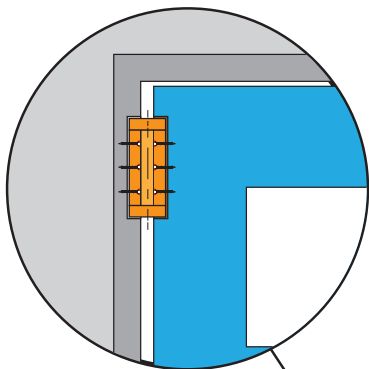
Recess, Pre-drill and Mount

With Door Closer:

- If you are using a door closer, you will need to add an extra hinge on top of the advised chart.
- The spacing between the top two hinges should be the same as the length of the hinge.
- The first hinge should be as close (high) as possible to the door closer. The second should then be spaced equal to the hinge size (length) down the door. All subsequent hinges should be evenly spaced thereafter. See Example Door B.



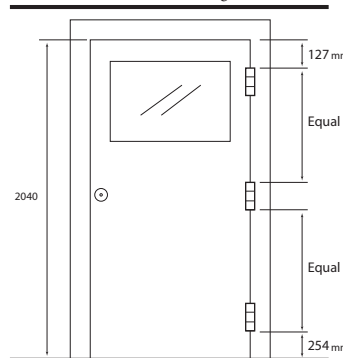
Closed Door Top View



Mounted View

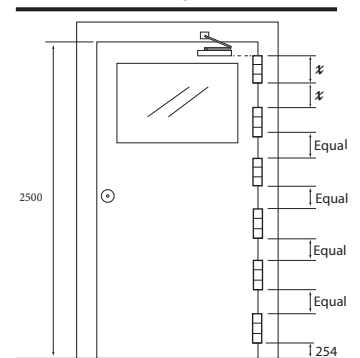
EXAMPLE A

2040 x 820mm, 3 Hinged door



EXAMPLE B

2500 x 920mm, 6 Hinged Door with Closer



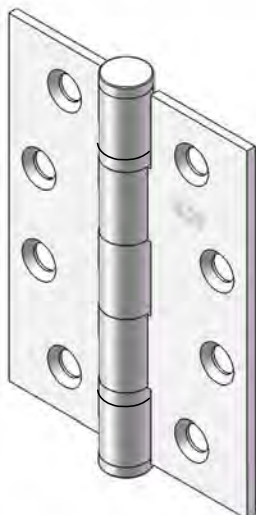
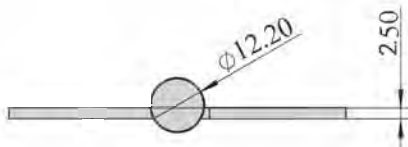
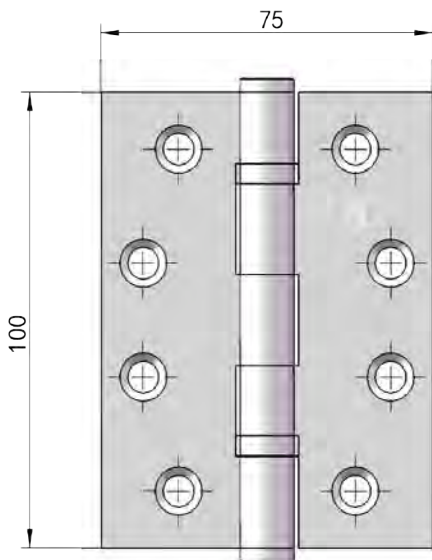
Number of Hinges Required per Door Size

	820 - 900 mm (W)
2100 mm (H) to 2300 mm (H)	3
2500 mm (H) to 2700 mm (H)	4
2900 mm (H)	5

*All information is regarded as generic unless specified in writing by us.
 Contact us for custom sizes and further information.

STAINLESS STEEL BEARING BUTT HINGE

Code No. S 225



APPLICATION

- Suitable for aluminium and timber doors with aluminium, steel and timber frames.

SPECIFICATION

- **Material:** Stainless Steel **304** Grade.
- **Pin Dia:** 6.9mm - Stainless Steel **304** Grade.
- **Knuckle:** Round
- **Endcaps:** Pressed-in interference fit. Stainless Steel **304** Grade.
- Stamped with McCallum crest.
- Fixed Pin.
- **Bearings:** 2 Stainless Steel Off-Cage Ball Bearings.

INSTALLATION GUIDE ONLY

- **Door thickness: Minimum 35mm.**
- When using a door closer, we recommend a minimum of 4 hinges be used, with the top hinge located as high as possible.
- Standard Door: 2040 (H) x 820 (W) - 3 hinges.

FIXING

- 32mm x 10g stainless steel fasteners for timber (supplied).
- 12mm x M5 stainless steel metal fasteners (supplied).
- Pop rivets are not recommended.
- Not recommended for Bi-Fold door systems.

FINISH

- Polished Stainless Steel.

OLD CODE NO.

- SB10075 PFP

SPECIAL NOTE

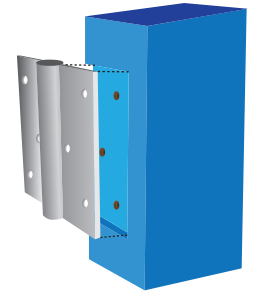
- The S 224 meets the UK and the Council of European Communities standard for Pedestrian access doors, including fire and smoke doors. The EC certificate of Conformity is 359-CPD-0043 / EN 1935:2002 / AC : 2003.

Code No. S 225

RECESS MOUNTED HINGE INFORMATION

Standard Application:

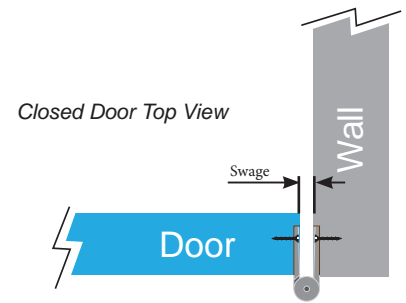
- The top hinge is 127mm down from the frame rebate to top of the hinge.
- Bottom hinge 254mm from bottom edge of barrel to finished floor.
- The third hinge is centered between the top and bottom hinges (if more than three hinges used, distance is equal for all between the top and bottom hinges.).
- See Example Door A.
- The hinge is to be recessed into the frame door to a depth equal to the thickness of the hinge leaf. This should also be done to the edge of the door to be swung.
- There will be a gap between the frame and the door edge equal to the distance between the two hinges when in the closed position (known as the 'Swage'). See Closed Door Top View diagram.
- Space out and mark all holes for pre-drilling before attaching the hinges.



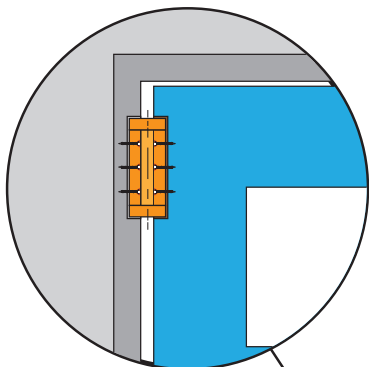
Recess, Pre-drill and Mount

With Door Closer:

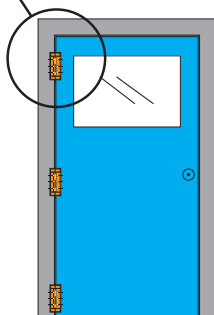
- If you are using a door closer, you will need to add an extra hinge on top of the advised chart.
- The spacing between the top two hinges should be the same as the length of the hinge.
- The first hinge should be as close (high) as possible to the door closer. The second should then be spaced equal to the hinge size (length) down the door. All subsequent hinges should be evenly spaced thereafter. See Example Door B.



Closed Door Top View

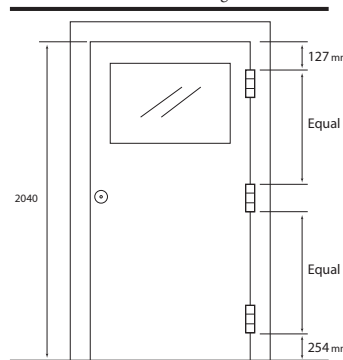


Mounted View



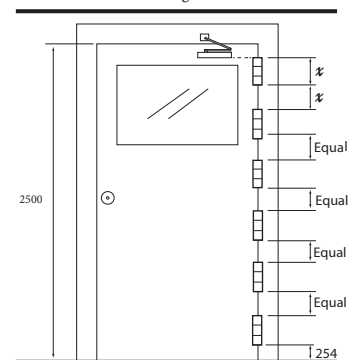
EXAMPLE A

2040 x 820mm, 3 Hinged door



EXAMPLE B

2500 x 920mm, 6 Hinged Door with Closer

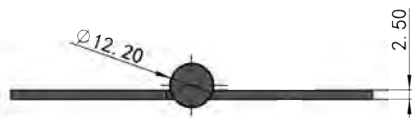
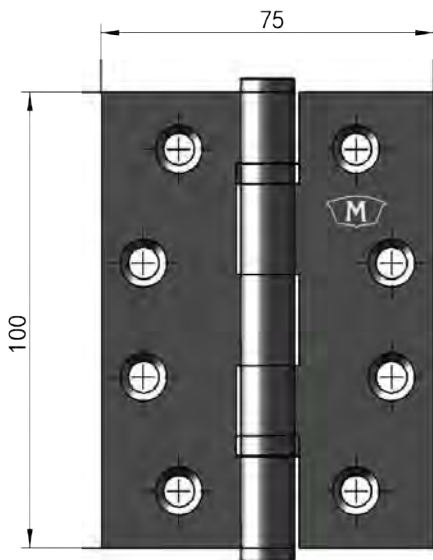


Number of Hinges Required per Door Size

	820 - 900 mm (W)
2100 mm (H) to 2300 mm (H)	3
2500 mm (H) to 2700 mm (H)	4
2900 mm (H)	5
*All information is regarded as generic unless specified in writing by us. Contact us for custom sizes and further information.	

STAINLESS STEEL BUTT

Code No. S 226



APPLICATION

- Suitable for aluminium and timber doors with aluminium, steel and timber frames.

SPECIFICATION

- **Material:** Stainless Steel **304** Grade.
- **Pin:** 6.9mm - Stainless Steel **304** Grade Punch-Out Pin.
- **Knuckle:** Round
- **Endcaps:** Pressed-in interference fit. Stainless Steel **304** Grade.
- Stamped with M^cCallum crest.
- Fixed Pin.
- **Bearings:** 2 Stainless Steel Off-Cage Ball Bearings.

INSTALLATION GUIDE ONLY

- **Door thickness: Minimum 35mm.**
- When using a door closer, we recommend a minimum of 4 hinges be used, with the top hinge located as high as possible.
- Standard Door: 2040 (H) x 820 (W) - 3 hinges.

FIXING

- 32mm x 10g stainless steel fasteners for timber (supplied).
- 12mm x M5 stainless steel metal fasteners (supplied).
- Pop rivets are not recommended.
- Not recommended for Bi-Fold door systems.

FINISH

- ECO Black

SPECIAL NOTE

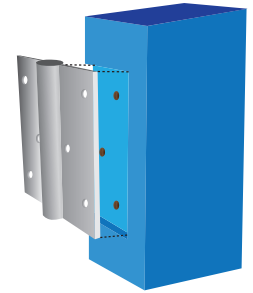
- The S 224 meets the UK and the Council of European Communities standard for Pedestrian access doors, including fire and smoke doors. The EC certificate of Conformity is 359-CPD-0043 / EN 1935:2002 / AC : 2003.

Code No. S 226

RECESS MOUNTED HINGE INFORMATION

Standard Application:

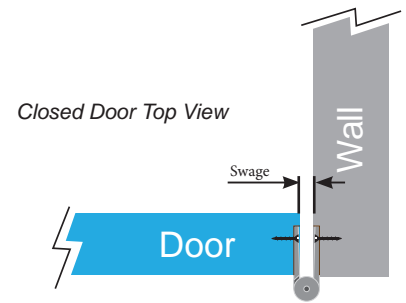
- The top hinge is 127mm down from the frame rebate to top of the hinge.
- Bottom hinge 254mm from bottom edge of barrel to finished floor.
- The third hinge is centered between the top and bottom hinges (if more than three hinges used, distance is equal for all between the top and bottom hinges.).
- See Example Door A.
- The hinge is to be recessed into the frame door to a depth equal to the thickness of the hinge leaf. This should also be done to the edge of the door to be swung.
- There will be a gap between the frame and the door edge equal to the distance between the two hinges when in the closed position (known as the 'Swage'). See Closed Door Top View diagram.
- Space out and mark all holes for pre-drilling before attaching the hinges.



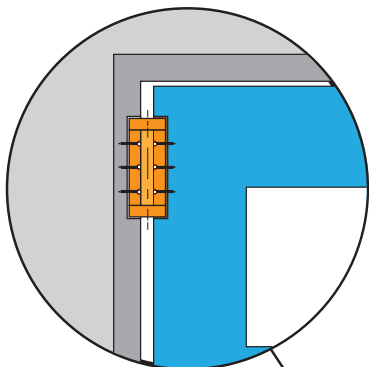
Recess, Pre-drill and Mount

With Door Closer:

- If you are using a door closer, you will need to add an extra hinge on top of the advised chart.
- The spacing between the top two hinges should be the same as the length of the hinge.
- The first hinge should be as close (high) as possible to the door closer. The second should then be spaced equal to the hinge size (length) down the door. All subsequent hinges should be evenly spaced thereafter. See Example Door B.



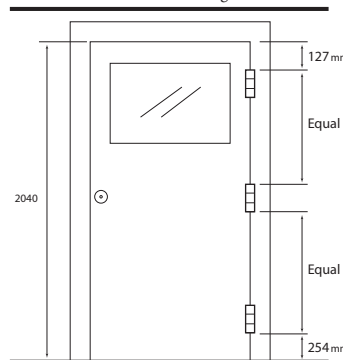
Closed Door Top View



Mounted View

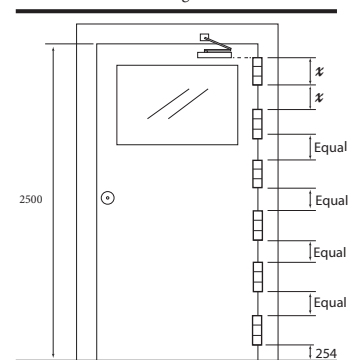
EXAMPLE A

2040 x 820mm, 3 Hinged door



EXAMPLE B

2500 x 920mm, 6 Hinged Door with Closer



1 extra hinge due to the door closer.

Number of Hinges Required per Door Size

	820 - 900 mm (W)
2100 mm (H) to 2300 mm (H)	3
2500 mm (H) to 2700 mm (H)	4
2900 mm (H)	5

*All information is regarded as generic unless specified in writing by us.
 Contact us for custom sizes and further information.

STAINLESS STEEL BUTT HINGE

Code No. S 230

APPLICATION

- Suitable for aluminium and timber doors with aluminium, steel and timber frames.

SPECIFICATION

- **Material:** Stainless Steel **304** Grade.
- **Pin Dia:** 6.9mm - Stainless Steel **304** Grade.
- **Knuckle:** Round
- **Endcaps:** Pressed-in interference fit. Stainless Steel **304** Grade.
- Stamped with McCallum crest.
- Fixed Pin.

INSTALLATION GUIDE ONLY

- **Door thickness: Minimum 35mm.**
- When using a door closer, we recommend a minimum of 4 hinges be used, with the top hinge located as high as possible.
- Standard Door: 2040 (H) x 820 (W) - 3 hinges.

FIXING

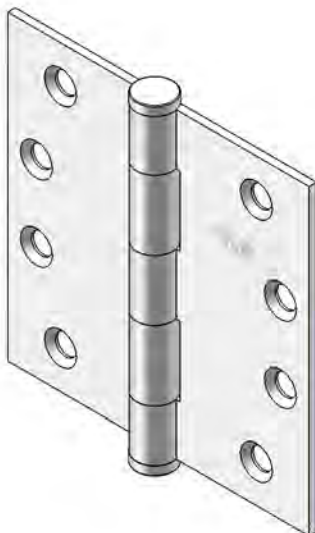
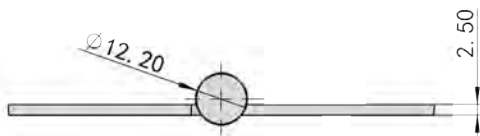
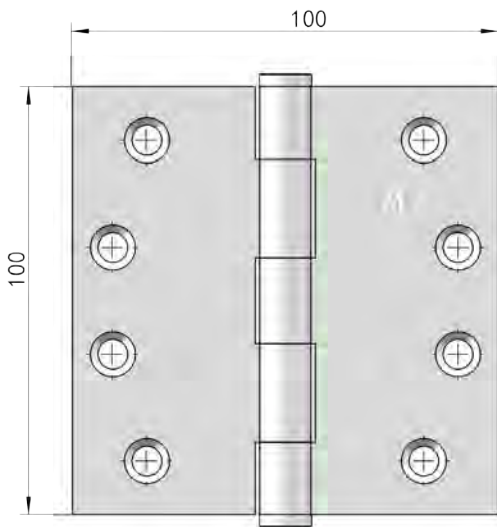
- 32mm x 10g stainless steel fasteners for timber (supplied).
- 12mm x M5 stainless steel metal fasteners (supplied).
- Pop rivets are not recommended.
- Not recommended for Bi-Fold door systems.

FINISH

- Satin finish.

OLD CODE NO.

- S100100 SFP

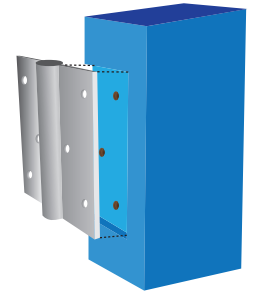


Code No. S 230

RECESS MOUNTED HINGE INFORMATION

Standard Application:

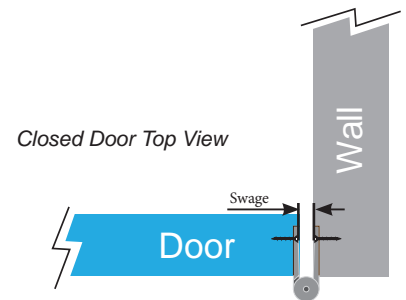
- The top hinge is 127mm down from the frame rebate to top of the hinge.
- Bottom hinge 254mm from bottom edge of barrel to finished floor.
- The third hinge is centered between the top and bottom hinges (if more than three hinges used, distance is equal for all between the top and bottom hinges.).
- See Example Door A.
- The hinge is to be recessed into the frame door to a depth equal to the thickness of the hinge leaf. This should also be done to the edge of the door to be swung.
- There will be a gap between the frame and the door edge equal to the distance between the two hinges when in the closed position (known as the 'Swage'). See Closed Door Top View diagram.
- Space out and mark all holes for pre-drilling before attaching the hinges.



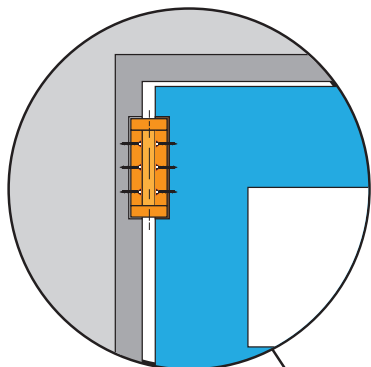
Recess, Pre-drill and Mount

With Door Closer:

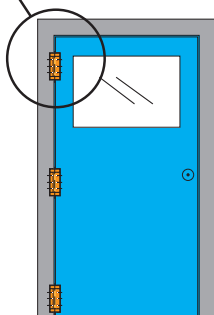
- If you are using a door closer, you will need to add an extra hinge on top of the advised chart.
- The spacing between the top two hinges should be the same as the length of the hinge.
- The first hinge should be as close (high) as possible to the door closer. The second should then be spaced equal to the hinge size (length) down the door. All subsequent hinges should be evenly spaced thereafter. See Example Door B.



Closed Door Top View

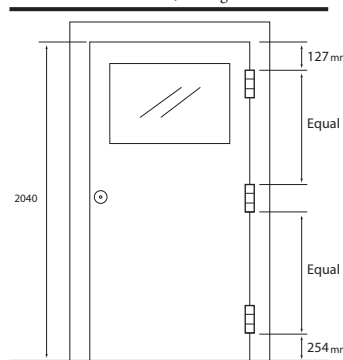


Mounted View



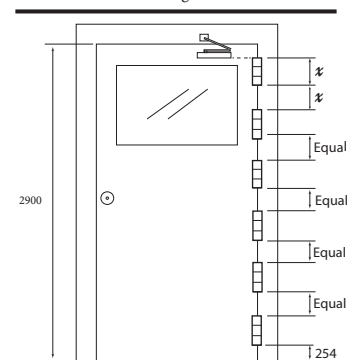
EXAMPLE A

2040 x 820mm, 3 Hinged door



EXAMPLE B

2900 x 820mm, 6 Hinged Door with Closer

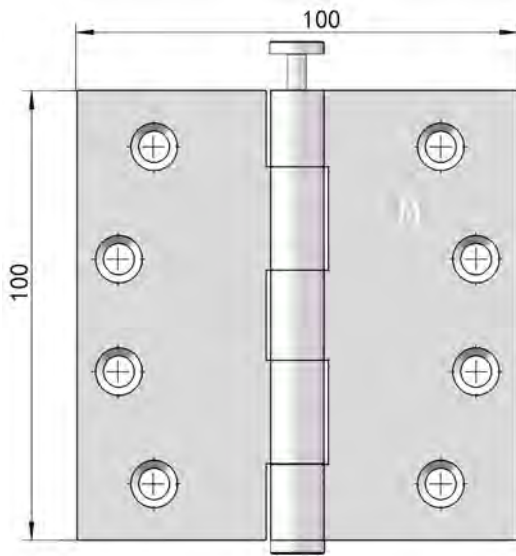


1 extra hinge due to the door closer.

Number of Hinges Required per Door Size	
	820 - 900 mm (W)
2100 mm (H) to 2300 mm (H)	3
2500 mm (H) to 2700 mm (H)	4
2900 mm (H)	5
*All information is regarded as generic unless specified in writing by us. Contact us for custom sizes and further information.	

STAINLESS STEEL BUTT HINGE

Code No. S 231



APPLICATION

- Suitable for aluminium and timber doors with aluminium, steel and timber frames.

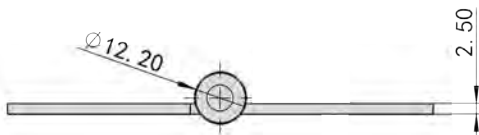
SPECIFICATION

- **Material:** Stainless Steel **304** Grade.
- **Pin:** 6.9mm - Stainless Steel **304** Grade Punch-Out Pin.
- **Knuckle:** Round
- **Endcaps:** Pressed-in interference fit. Stainless Steel **304** Grade.
- Stamped with McCallum crest.
- Loose Pin.

INSTALLATION GUIDE ONLY

- **Door thickness: Minimum 35mm.**
- When using a door closer, we recommend a minimum of 4 hinges be used, with the top hinge located as high as possible.
- Standard Door: 2040 (H) x 820 (W) - 3 hinges.

FIXING



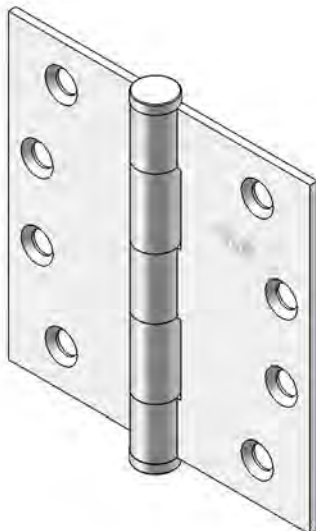
- 32mm x 10g stainless steel fasteners for timber (supplied).
- 12mm x M5 stainless steel metal fasteners (supplied).
- Pop rivets are not recommended.
- Not recommended for Bi-Fold door systems.

FINISH

- Satin finish.

OLD CODE NO.

- S100100 SLP

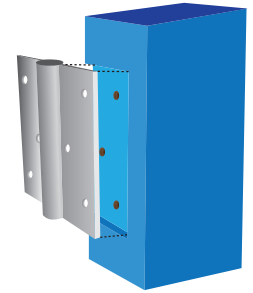


Code No. S 231

RECESS MOUNTED HINGE INFORMATION

Standard Application:

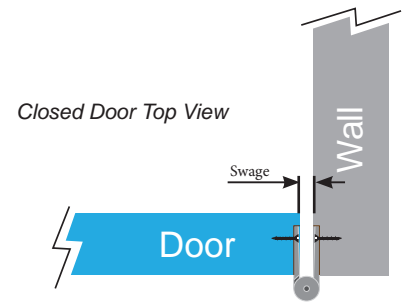
- The top hinge is 127mm down from the frame rebate to top of the hinge.
- Bottom hinge 254mm from bottom edge of barrel to finished floor.
- The third hinge is centered between the top and bottom hinges (if more than three hinges used, distance is equal for all between the top and bottom hinges.).
- See Example Door A.
- The hinge is to be recessed into the frame door to a depth equal to the thickness of the hinge leaf. This should also be done to the edge of the door to be swung.
- There will be a gap between the frame and the door edge equal to the distance between the two hinges when in the closed position (known as the 'Swage'). See Closed Door Top View diagram.
- Space out and mark all holes for pre-drilling before attaching the hinges.



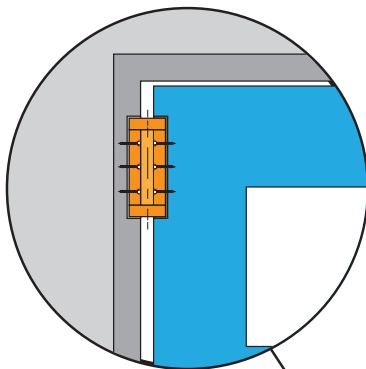
Recess, Pre-drill and Mount

With Door Closer:

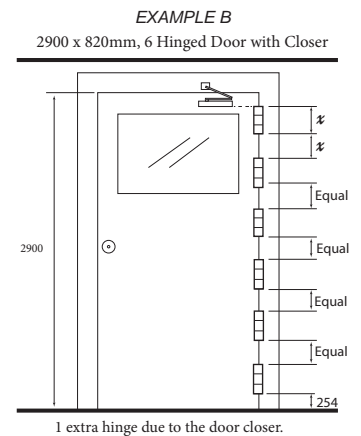
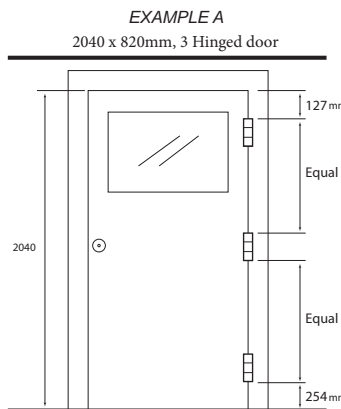
- If you are using a door closer, you will need to add an extra hinge on top of the advised chart.
- The spacing between the top two hinges should be the same as the length of the hinge.
- The first hinge should be as close (high) as possible to the door closer. The second should then be spaced equal to the hinge size (length) down the door. All subsequent hinges should be evenly spaced thereafter. See Example Door B.



Closed Door Top View



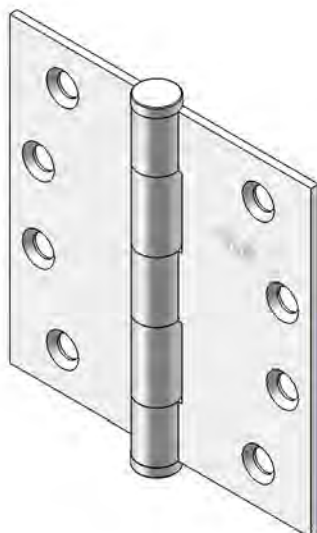
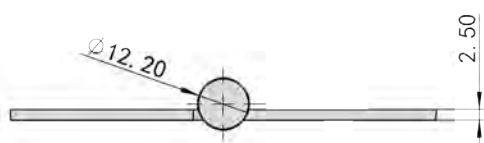
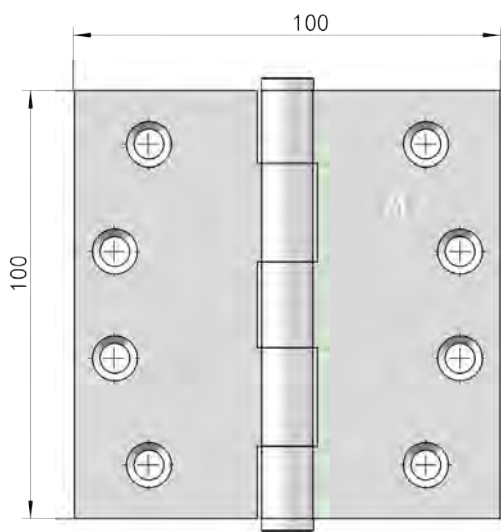
Mounted View



Number of Hinges Required per Door Size	
	820 - 900 mm (W)
2100 mm (H) to 2300 mm (H)	3
2500 mm (H) to 2700 mm (H)	4
2900 mm (H)	5
*All information is regarded as generic unless specified in writing by us. Contact us for custom sizes and further information.	

STAINLESS STEEL BUTT HINGE

Code No. S 232



APPLICATION

- Suitable for aluminium and timber doors with aluminium, steel and timber frames.

SPECIFICATION

- **Material:** Stainless Steel **304** Grade.
- **Pin:** 6.9mm - Stainless Steel **304** Grade Punch-Out Pin.
- **Knuckle:** Round
- **Endcaps:** Pressed-in interference fit. Stainless Steel **304** Grade.
- Stamped with McCallum crest.
- Loose Pin.

INSTALLATION GUIDE ONLY

- **Door thickness: Minimum 35mm.**
- When using a door closer, we recommend a minimum of 4 hinges be used, with the top hinge located as high as possible.
- Standard Door: 2040 (h) x 820 (W) - 3 hinges.

FIXING

- 32mm x 10g stainless steel fasteners for timber (supplied).
- 12mm x M5 stainless steel metal fasteners (supplied).
- Pop rivets are not recommended.
- Not recommended for Bi-Fold door systems.

FINISH

- Polished Stainless Steel.

OLD CODE NO.

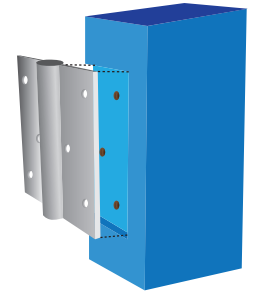
- S100100 PFP

Code No. S 232

RECESS MOUNTED HINGE INFORMATION

Standard Application:

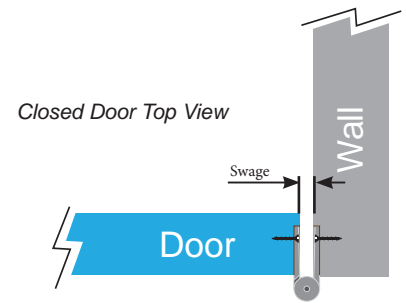
- The top hinge is 127mm down from the frame rebate to top of the hinge.
- Bottom hinge 254mm from bottom edge of barrel to finished floor.
- The third hinge is centered between the top and bottom hinges (if more than three hinges used, distance is equal for all between the top and bottom hinges.).
- See Example Door A.
- The hinge is to be recessed into the frame door to a depth equal to the thickness of the hinge leaf. This should also be done to the edge of the door to be swung.
- There will be a gap between the frame and the door edge equal to the distance between the two hinges when in the closed position (known as the 'Swage'). See Closed Door Top View diagram.
- Space out and mark all holes for pre-drilling before attaching the hinges.



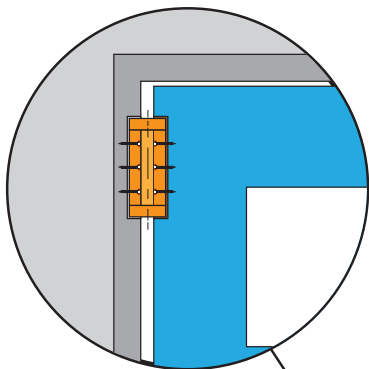
Recess, Pre-drill and Mount

With Door Closer:

- If you are using a door closer, you will need to add an extra hinge on top of the advised chart.
- The spacing between the top two hinges should be the same as the length of the hinge.
- The first hinge should be as close (high) as possible to the door closer. The second should then be spaced equal to the hinge size (length) down the door. All subsequent hinges should be evenly spaced thereafter. See Example Door B.



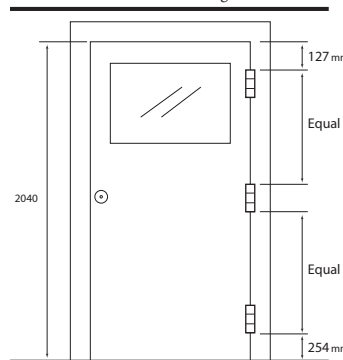
Closed Door Top View



Mounted View

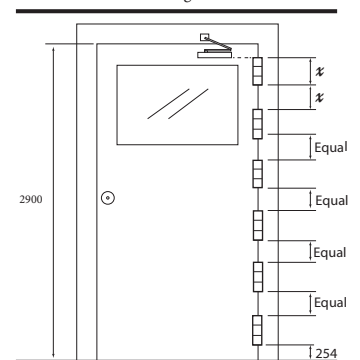
EXAMPLE A

2040 x 820mm, 3 Hinged door



EXAMPLE B

2900 x 820 mm, 6 Hinged Door with Closer



1 extra hinge due to the door closer.

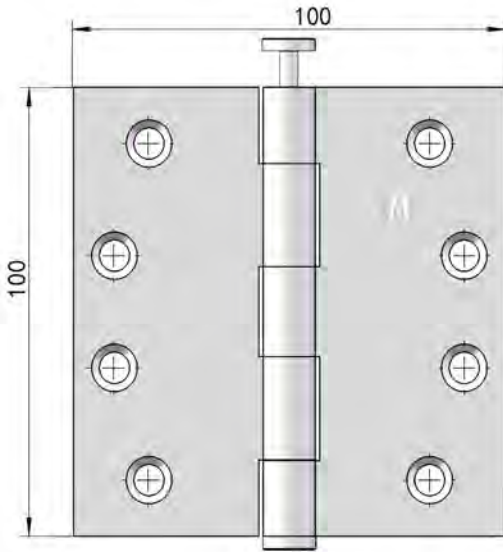
Number of Hinges Required per Door Size

	820 - 900 mm (W)
2100 mm (H) to 2300 mm (H)	3
2500 mm (H) to 2700 mm (H)	4
2900 mm (H)	5

*All information is regarded as generic unless specified in writing by us.
 Contact us for custom sizes and further information.

STAINLESS STEEL BUTT HINGE

Code No. S 233



APPLICATION

- Suitable for aluminium and timber doors with aluminium, steel and timber frames.

SPECIFICATION

- **Material:** Stainless Steel **304** Grade.
- **Pin:** 6.9mm - Stainless Steel **304** Grade Punch-Out Pin.
- **Knuckle:** Round
- **Endcaps:** Pressed-in interference fit. Stainless Steel **304** Grade.
- Stamped with McCallum crest.
- Loose Pin.

INSTALLATION GUIDE ONLY

- **Door thickness: Minimum 35mm.**
- When using a door closer, we recommend a minimum of 4 hinges be used, with the top hinge located as high as possible.
- Standard Door: 2040 (h) x 820 (W) - 3 hinges.

FIXING

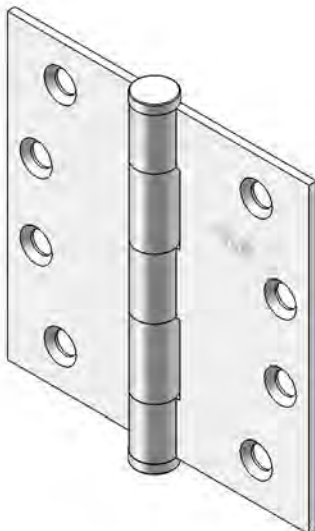
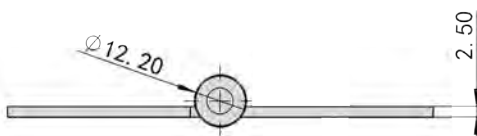
- 32mm x 10g stainless steel fasteners for timber (supplied).
- 12mm x M5 stainless steel metal fasteners (supplied).
- Pop rivets are not recommended.
- Not recommended for Bi-Fold door systems.

FINISH

- Polished Stainless Steel.

OLD CODE NO.

- S100100 PLP

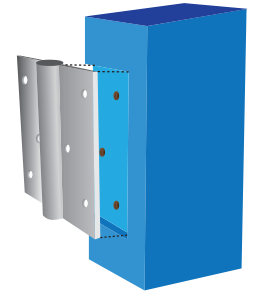


Code No. S 233

RECESS MOUNTED HINGE INFORMATION

Standard Application:

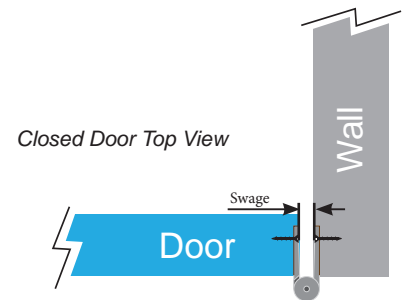
- The top hinge is 127mm down from the frame rebate to top of the hinge.
- Bottom hinge 254mm from bottom edge of barrel to finished floor.
- The third hinge is centered between the top and bottom hinges (if more than three hinges used, distance is equal for all between the top and bottom hinges.).
- See Example Door A.
- The hinge is to be recessed into the frame door to a depth equal to the thickness of the hinge leaf. This should also be done to the edge of the door to be swung.
- There will be a gap between the frame and the door edge equal to the distance between the two hinges when in the closed position (known as the 'Swage'). See Closed Door Top View diagram.
- Space out and mark all holes for pre-drilling before attaching the hinges.



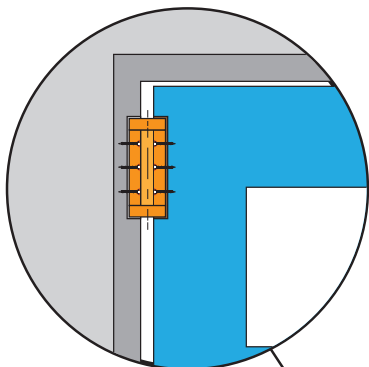
Recess, Pre-drill and Mount

With Door Closer:

- If you are using a door closer, you will need to add an extra hinge on top of the advised chart.
- The spacing between the top two hinges should be the same as the length of the hinge.
- The first hinge should be as close (high) as possible to the door closer. The second should then be spaced equal to the hinge size (length) down the door. All subsequent hinges should be evenly spaced thereafter. See Example Door B.



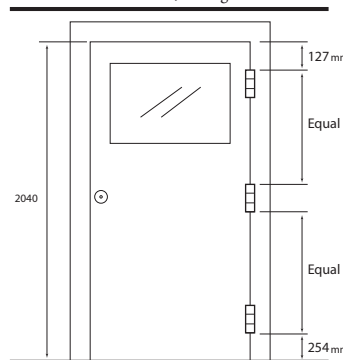
Closed Door Top View



Mounted View

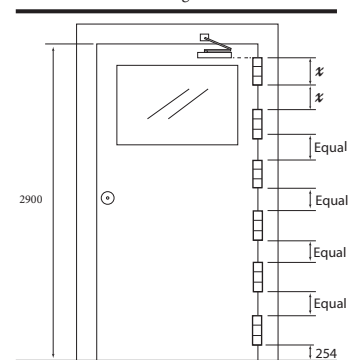
EXAMPLE A

2040 x 820mm, 3 Hinged door



EXAMPLE B

2900 x 820mm, 6 Hinged Door with Closer



Number of Hinges Required per Door Size

	820 - 900 mm (W)
2100 mm (H) to 2300 mm (H)	3
2500 mm (H) to 2700 mm (H)	4
2900 mm (H)	5

*All information is regarded as generic unless specified in writing by us.
 Contact us for custom sizes and further information.

STAINLESS STEEL BUTT HINGE

Code No. S 234

APPLICATION

- Suitable for aluminium and timber doors with aluminium, steel and timber frames.

SPECIFICATION

- **Material:** Stainless Steel **304** Grade.
- **Pin Dia:** 6.9mm - Stainless Steel **304** Grade.
- **Knuckle:** Round
- **Endcaps:** Pressed-in interference fit. Stainless Steel **304** Grade.
- Stamped with McCallum crest.
- Fixed Pin.
- **Bearings:** 2 Stainless Steel Off-Cage Ball Bearings.

INSTALLATION GUIDE ONLY

- **Door thickness: Minimum 35mm.**
- When using a door closer, we recommend a minimum of 4 hinges be used, with the top hinge located as high as possible.
- Standard Door: 2040 (H) x 820 (W) - 3 hinges.

FIXING

- 32mm x 10g stainless steel fasteners for timber (supplied).
- 12mm x M5 stainless steel metal fasteners (supplied).
- Pop rivets are not recommended.
- Not recommended for Bi-Fold door systems.

FINISH

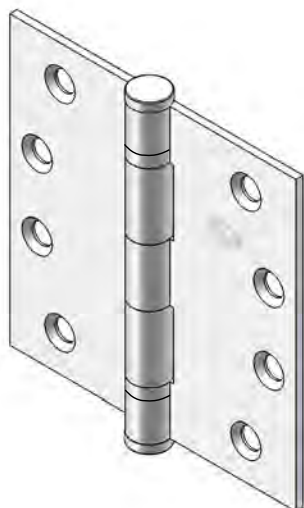
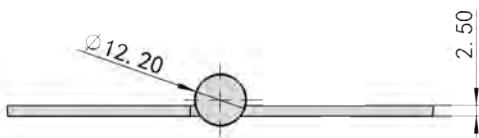
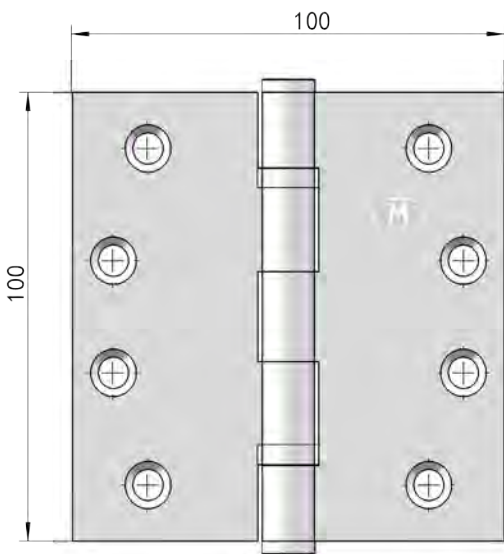
- Satin Stainless Steel

OLD CODE NO.

- SB100100 SFP

SPECIAL NOTE

- The S 234 meets the UK and the Council of European Communities standard for Pedestrian access doors, including fire and smoke doors. The EC certificate of Conformity is 359-CPD-0043 / EN 1935:2002 / AC : 2003.

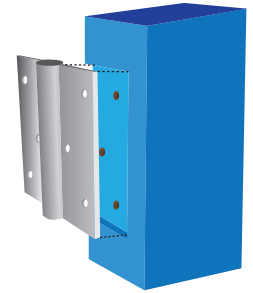


Code No. S 234

RECESS MOUNTED HINGE INFORMATION

Standard Application:

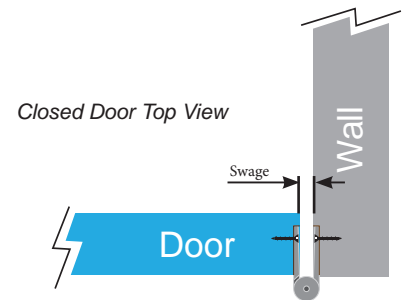
- The top hinge is 127mm down from the frame rebate to top of the hinge.
- Bottom hinge 254mm from bottom edge of barrel to finished floor.
- The third hinge is centered between the top and bottom hinges (if more than three hinges used, distance is equal for all between the top and bottom hinges.).
- See Example Door A.
- The hinge is to be recessed into the frame door to a depth equal to the thickness of the hinge leaf. This should also be done to the edge of the door to be swung.
- There will be a gap between the frame and the door edge equal to the distance between the two hinges when in the closed position (known as the 'Swage'). See Closed Door Top View diagram.
- Space out and mark all holes for pre-drilling before attaching the hinges.



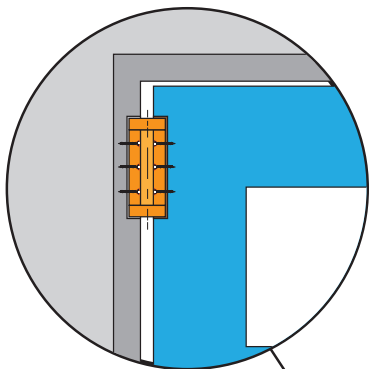
Recess, Pre-drill and Mount

With Door Closer:

- If you are using a door closer, you will need to add an extra hinge on top of the advised chart.
- The spacing between the top two hinges should be the same as the length of the hinge.
- The first hinge should be as close (high) as possible to the door closer. The second should then be spaced equal to the hinge size (length) down the door. All subsequent hinges should be evenly spaced thereafter. See Example Door B.



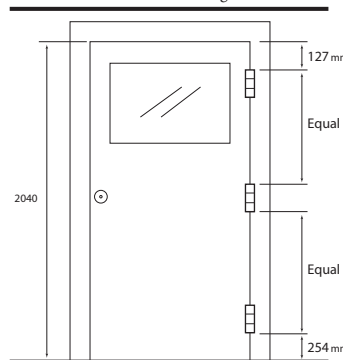
Closed Door Top View



Mounted View

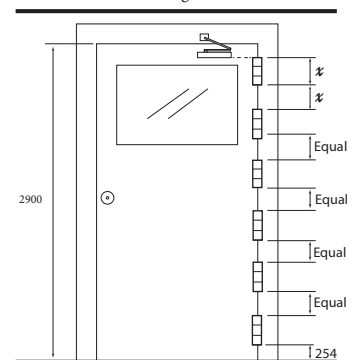
EXAMPLE A

2040 x 820mm, 3 Hinged door



EXAMPLE B

2900 x 870mm, 6 Hinged Door with Closer



1 extra hinge due to the door closer.

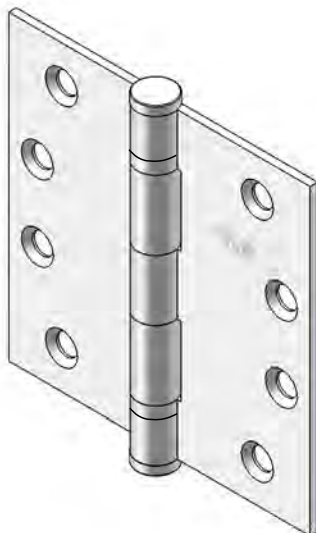
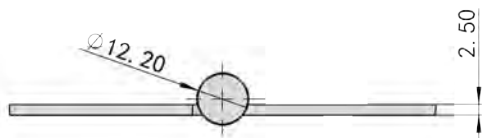
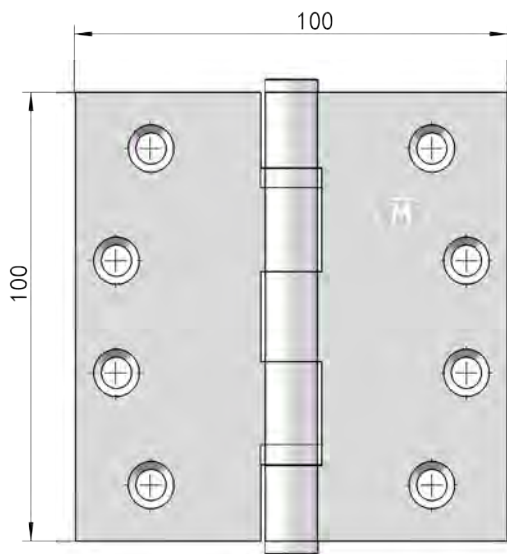
Number of Hinges Required per Door Size

	820 - 900 mm (W)
2100 mm (H) to 2300 mm (H)	3
2500 mm (H) to 2700 mm (H)	4
2900 mm (H)	5

*All information is regarded as generic unless specified in writing by us.
 Contact us for custom sizes and further information.

STAINLESS STEEL BUTT HINGE

Code No. S 235



APPLICATION

- Suitable for aluminium and timber doors with aluminium, steel and timber frames.

SPECIFICATION

- **Material:** Stainless Steel **304** Grade.
- **Pin:** 6.9mm - Stainless Steel **304** Grade Punch-Out Pin.
- **Knuckle:** Round
- **Endcaps:** Pressed-in interference fit. Stainless Steel **304** Grade.
- Stamped with McCallum crest.
- Fixed Pin.
- **Bearings:** 2 Stainless Steel Off-Cage Ball Bearings.

INSTALLATION GUIDE ONLY

- **Door thickness: Minimum 35mm.**
- When using a door closer, we recommend a minimum of 4 hinges be used, with the top hinge located as high as possible.
- Standard Door: 2040 (H) x 820 (W) - 3 hinges.

FIXING

- 32mm x 10g stainless steel fasteners for timber (supplied).
- 12mm x M5 stainless steel metal fasteners (supplied).
- Pop rivets are not recommended.
- Not recommended for Bi-Fold door systems.

FINISH

- Polished Stainless Steel.

OLD CODE NO.

- SB100100 PFP

SPECIAL NOTE

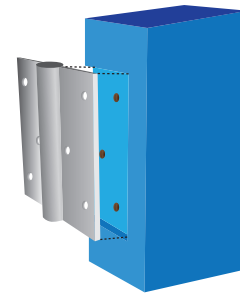
- The S 235 meets the UK and the Council of European Communities standard for Pedestrian access doors, including fire and smoke doors. The EC certificate of Conformity is 359-CPD-0043 / EN 1935:2002 / AC : 2003.

Code No. S 235

RECESS MOUNTED HINGE INFORMATION

Standard Application:

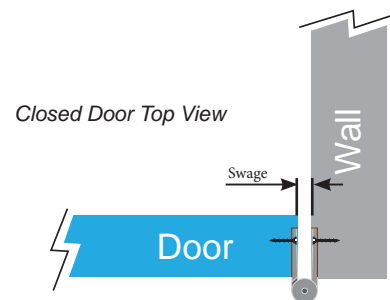
- The top hinge is 127mm down from the frame rebate to top of the hinge.
- Bottom hinge 254mm from bottom edge of barrel to finished floor.
- The third hinge is centered between the top and bottom hinges (if more than three hinges used, distance is equal for all between the top and bottom hinges.).
- See Example Door A.
- The hinge is to be recessed into the frame door to a depth equal to the thickness of the hinge leaf. This should also be done to the edge of the door to be swung.
- There will be a gap between the frame and the door edge equal to the distance between the two hinges when in the closed position (known as the 'Swage'). See Closed Door Top View diagram.
- Space out and mark all holes for pre-drilling before attaching the hinges.



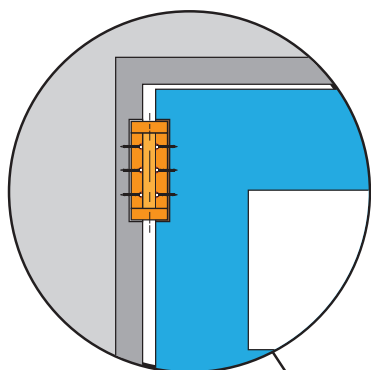
Recess, Pre-drill and Mount

With Door Closer:

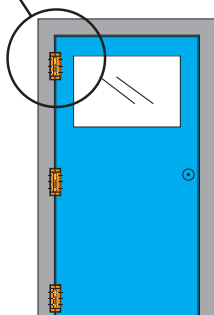
- If you are using a door closer, you will need to add an extra hinge on top of the advised chart.
- The spacing between the top two hinges should be the same as the length of the hinge.
- The first hinge should be as close (high) as possible to the door closer. The second should then be spaced equal to the hinge size (length) down the door. All subsequent hinges should be evenly spaced thereafter. See Example Door B.



Closed Door Top View

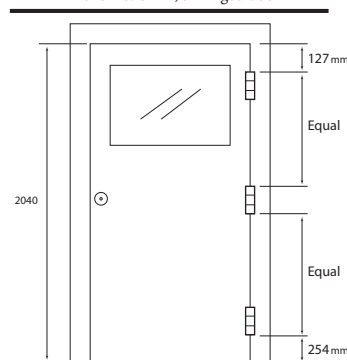


Mounted View



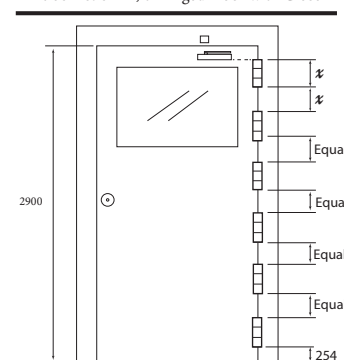
EXAMPLE A

2040 x 870mm, 3 Hinged door



EXAMPLE B

2900 x 870mm, 6 Hinged Door with Closer

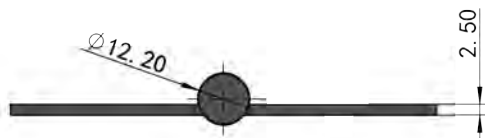
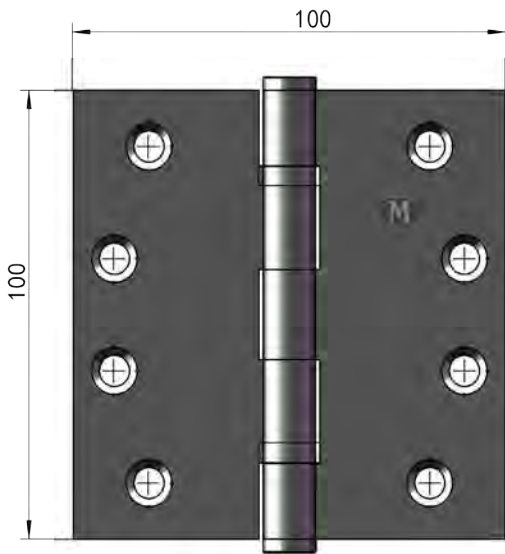


1 extra hinge due to the door closer.

Number of Hinges Required per Door Size	
	820 - 900 mm (W)
2100 mm (H) to 2300 mm (H)	3
2500 mm (H) to 2700 mm (H)	4
2900 mm (H)	5
*All information is regarded as generic unless specified in writing by us. Contact us for custom sizes and further information.	

STAINLESS STEEL BUTT HINGE

Code No. S 236



APPLICATION

- Suitable for aluminium and timber doors with aluminium, steel and timber frames.

SPECIFICATION

- **Material:** Stainless Steel **304** Grade.
- **Pin:** 6.9mm - Stainless Steel **304** Grade Punch-Out Pin.
- **Knuckle:** Round
- **Endcaps:** Pressed-in interference fit. Stainless Steel **304** Grade.
- Stamped with McCallum crest.
- Fixed Pin.
- **Bearings:** 2 Stainless Steel Off-Cage Ball Bearings.

INSTALLATION GUIDE ONLY

- **Door thickness: Minimum 35mm.**
- When using a door closer, we recommend a minimum of 4 hinges be used, with the top hinge located as high as possible.
- Standard Door: 2040 (H) x 820 (W) - 3 hinges.

FIXING

- 32mm x 10g stainless steel fasteners for timber (supplied).
- 12mm x M5 stainless steel metal fasteners (supplied).
- Pop rivets are not recommended.
- Not recommended for Bi-Fold door systems.

FINISH

- ECO Black

SPECIAL NOTE

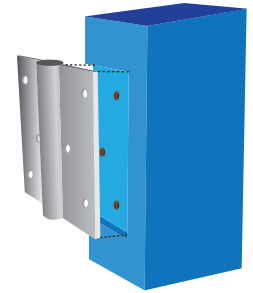
- The S 235 meets the UK and the Council of European Communities standard for Pedestrian access doors, including fire and smoke doors. The EC certificate of Conformity is 359-CPD-0043 / EN 1935:2002 / AC : 2003.

Code No. S 236

RECESS MOUNTED HINGE INFORMATION

Standard Application:

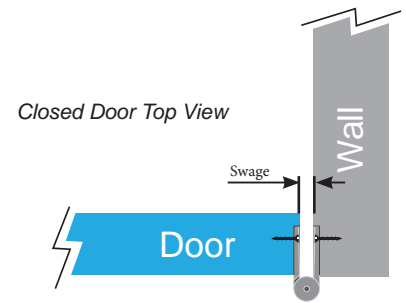
- The top hinge is 127mm down from the frame rebate to top of the hinge.
- Bottom hinge 254mm from bottom edge of barrel to finished floor.
- The third hinge is centered between the top and bottom hinges (if more than three hinges used, distance is equal for all between the top and bottom hinges.).
- See Example Door A.
- The hinge is to be recessed into the frame door to a depth equal to the thickness of the hinge leaf. This should also be done to the edge of the door to be swung.
- There will be a gap between the frame and the door edge equal to the distance between the two hinges when in the closed position (known as the 'Swage'). See Closed Door Top View diagram.
- Space out and mark all holes for pre-drilling before attaching the hinges.



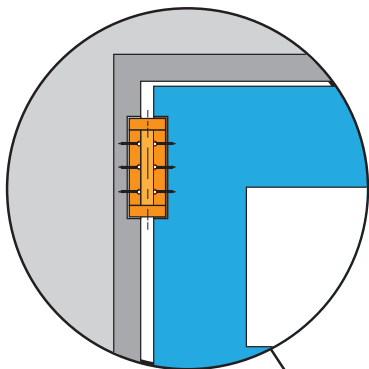
Recess, Pre-drill and Mount

With Door Closer:

- If you are using a door closer, you will need to add an extra hinge on top of the advised chart.
- The spacing between the top two hinges should be the same as the length of the hinge.
- The first hinge should be as close (high) as possible to the door closer. The second should then be spaced equal to the hinge size (length) down the door. All subsequent hinges should be evenly spaced thereafter. See Example Door B.



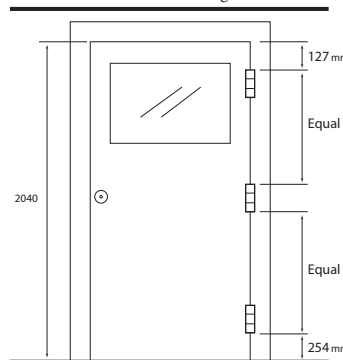
Closed Door Top View



Mounted View

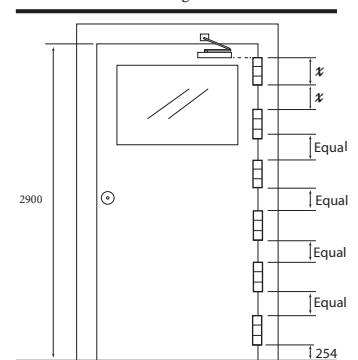
EXAMPLE A

2040 x 870mm, 3 Hinged door



EXAMPLE B

2900 x 870mm, 6 Hinged Door with Closer



1 extra hinge due to the door closer.

Number of Hinges Required per Door Size	
	820 - 900 mm (W)
2100 mm (H) to 2300 mm (H)	3
2500 mm (H) to 2700 mm (H)	4
2900 mm (H)	5
*All information is regarded as generic unless specified in writing by us. Contact us for custom sizes and further information.	

STAINLESS STEEL BUTT HINGE

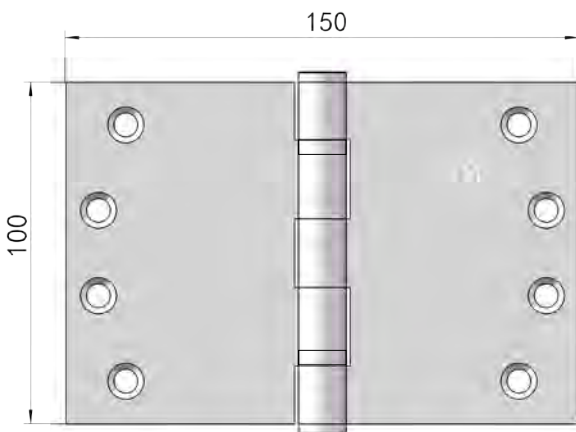
Code No. S 240

APPLICATION

- Suitable for aluminium and timber doors with aluminium, steel and timber frames.

SPECIFICATION

- **Material:** Stainless Steel **304** Grade.
- **Pin Dia:** 6.9mm - Stainless Steel **304** Grade.
- **Knuckle:** Round
- **Endcaps:** Pressed-in interference fit. Stainless Steel **304** Grade.
- Stamped with McCallum crest.
- Fixed Pin.
- **Bearings:** 2 Stainless Steel Off-Cage Ball Bearings.



INSTALLATION GUIDE ONLY

- **Door thickness: Minimum 35mm.**
- When using a door closer, we recommend a minimum of 4 hinges be used, with the top hinge located as high as possible.
- Standard Door: 2040 (H) x 820 (W) - 3 hinges.

FIXING

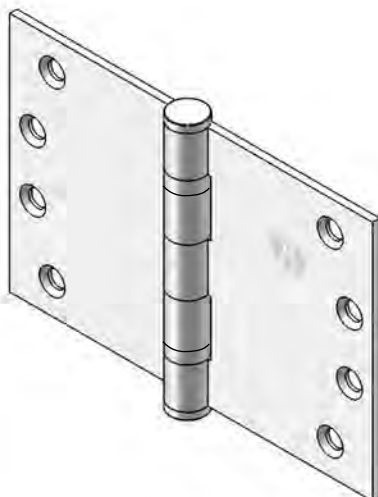
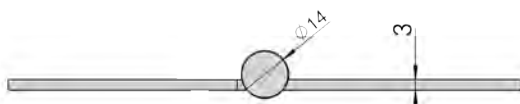
- Fastening screws supplied.
- Pop rivets are not recommended.

FINISH

- Satin finish.

OLD CODE NO.

- SB100150



Code No. S 240

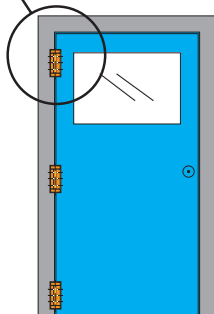
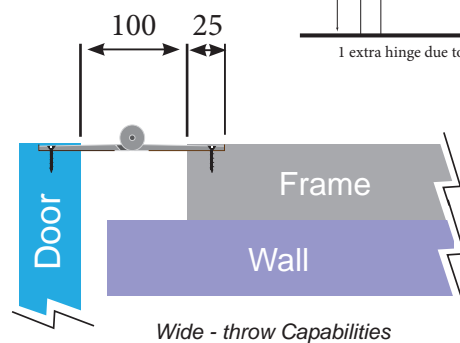
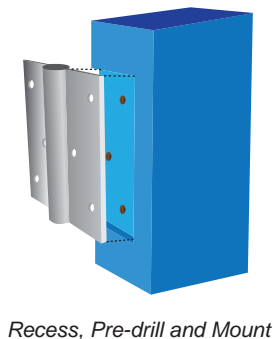
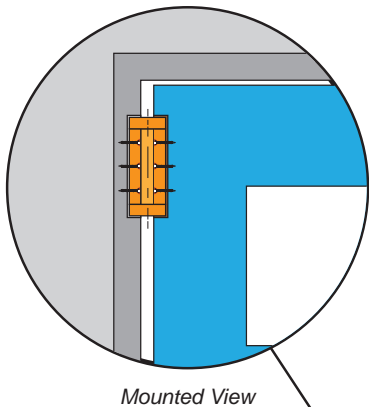
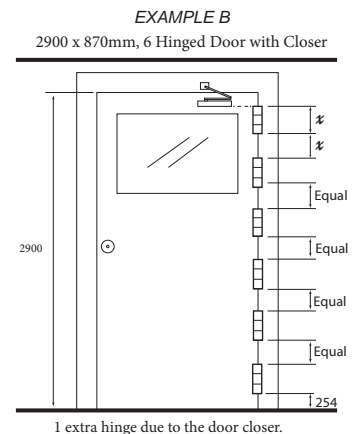
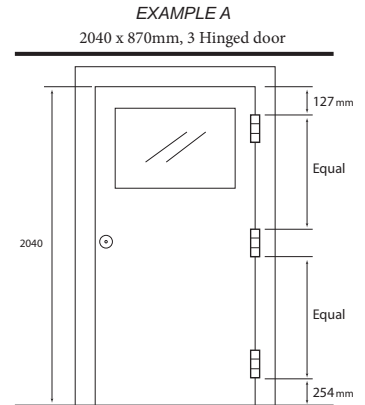
RECESS MOUNTED HINGE INFORMATION

Standard Application:

- The top hinge is 127mm down from the frame rebate to top of the hinge.
- Bottom hinge 254mm from bottom edge of barrel to finished floor.
- The third hinge is centered between the top and bottom hinges (if more than three hinges used, distance is equal for all between the top and bottom hinges.).
- See Example Door A.
- The hinge is to be recessed into the frame door to a depth equal to the thickness of the hinge leaf. This should also be done to the edge of the door to be swung.
- There will be a gap between the frame and the door edge equal to the distance between the two hinges when in the closed position (known as the 'Swage'). See Closed Door Top View diagram.
- Space out and mark all holes for pre-drilling before attaching the hinges.

With Door Closer:

- If you are using a door closer, you will need to add an extra hinge on top of the advised chart.
- The spacing between the top two hinges should be the same as the length of the hinge.
- The first hinge should be as close (high) as possible to the door closer. The second should then be spaced equal to the hinge size (length) down the door. All subsequent hinges should be evenly spaced thereafter. See Example Door B.



Number of Hinges Required per Door Size	
820 - 900 mm (W)	
2100 mm (H) to 2300 mm (H)	3
2500 mm (H) to 2700 mm (H)	4
2900 mm (H)	5
*All information is regarded as generic unless specified in writing by us. Contact us for custom sizes and further information.	

STAINLESS STEEL BUTT HINGE

Code No. S 241

APPLICATION

- Suitable for aluminium and timber doors with aluminium, steel and timber frames.

SPECIFICATION

- **Material:** Stainless Steel **304** Grade.
- **Pin Dia:** 6.9mm - Stainless Steel **304** Grade.
- **Knuckle:** Round
- **Endcaps:** Pressed-in interference fit. Stainless Steel **304** Grade.
- Stamped with McCallum crest.
- Fixed Pin.
- **Bearings:** 2 Stainless Steel Off-Cage Ball Bearings.

INSTALLATION GUIDE ONLY

- **Door thickness: Minimum 35mm.**
- When using a door closer, we recommend a minimum of 4 hinges be used, with the top hinge located as high as possible.
- Standard Door: 2040 (H) x 820 (W) - 3 hinges.

FIXING

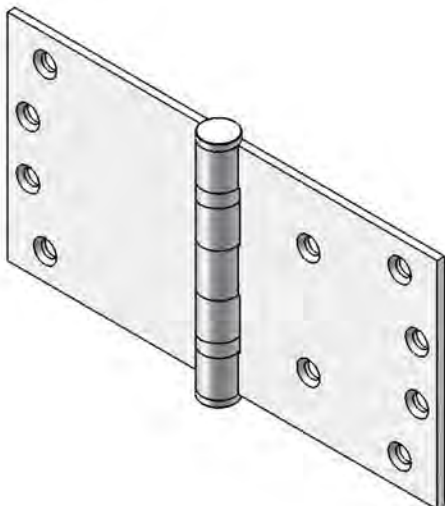
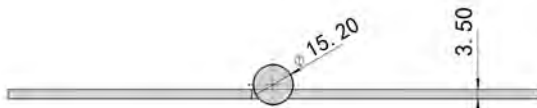
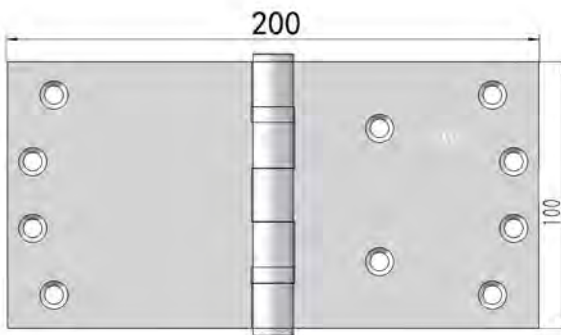
- Fastening screws supplied.
- Two extra fastening holes to allow more support from jamb material.
- Pop rivets are not recommended.

FINISH

- Satin finish.

OLD CODE NO.

- SB100200



Code No. S 241

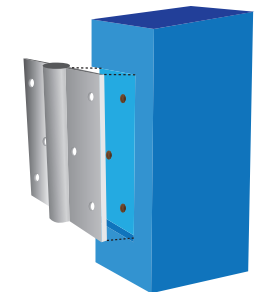
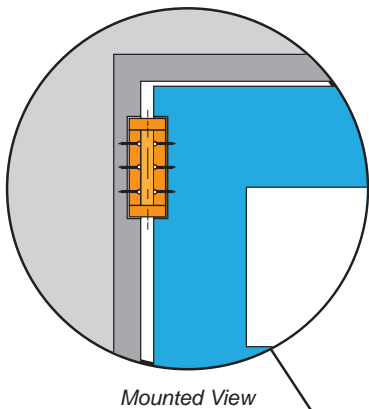
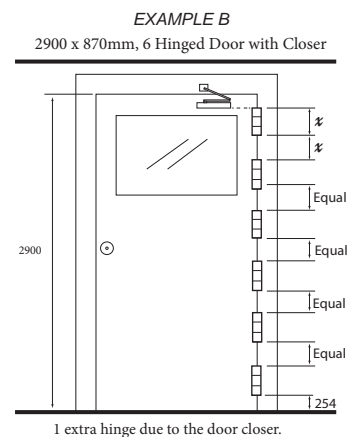
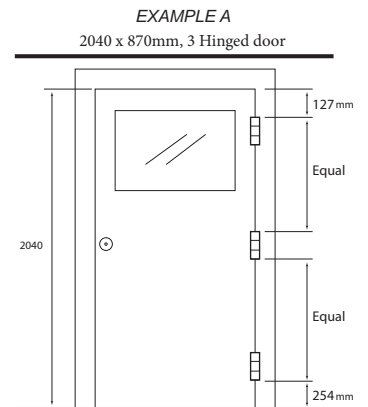
RECESS MOUNTED HINGE INFORMATION

Standard Application:

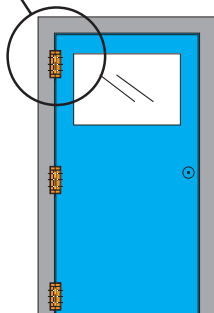
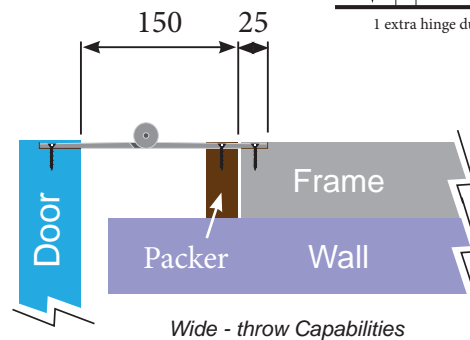
- The top hinge is 127mm down from the frame rebate to top of the hinge.
- Bottom hinge 254mm from bottom edge of barrel to finished floor.
- The third hinge is centered between the top and bottom hinges (if more than three hinges used, distance is equal for all between the top and bottom hinges.).
- See Example Door A.
- The hinge is to be recessed into the frame door to a depth equal to the thickness of the hinge leaf. This should also be done to the edge of the door to be swung.
- There will be a gap between the frame and the door edge equal to the distance between the two hinges when in the closed position (known as the 'Swage'). See Closed Door Top View diagram.
- Space out and mark all holes for pre-drilling before attaching the hinges.

With Door Closer:

- If you are using a door closer, you will need to add an extra hinge on top of the advised chart.
- The spacing between the top two hinges should be the same as the length of the hinge.
- The first hinge should be as close (high) as possible to the door closer. The second should then be spaced equal to the hinge size (length) down the door. All subsequent hinges should be evenly spaced thereafter. See Example Door B.



Recess, Pre-drill and Mount



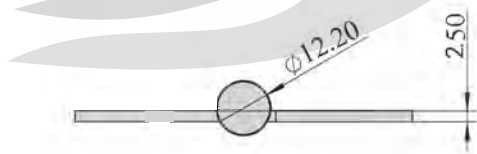
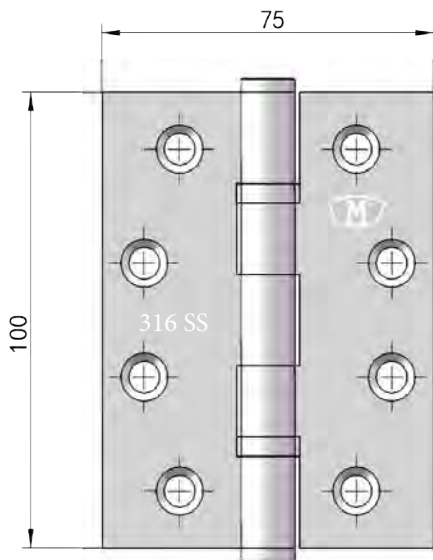
Number of Hinges Required per Door Size	
	820 - 900 mm (W)
2100 mm (H) 2300 mm (H)	3
2500 mm (H) 2700 mm (H)	4
2900 mm (H)	5
*All information is regarded as generic unless specified in writing by us. Contact us for custom sizes and further information.	

316 HINGES



STAINLESS STEEL 316 BALL BEARING BUTT HINGE

Code No. S 252



APPLICATION

- Suitable for aluminium and timber doors with aluminium, steel and timber frames.

SPECIFICATION

- **Material:** Stainless Steel 316 Grade.
- **Pin Dia:** 6.9mm - Stainless Steel 316 Grade.
- **Knuckle:** Round
- **Endcaps:** Pressed-in interference fit. Stainless Steel 316 Grade.
- Stamped with McCallum crest.
- Fixed Pin.
- **Bearings:** 2 Stainless Steel Off-Cage Ball Bearings.

INSTALLATION GUIDE ONLY

- **Door thickness: Minimum 35mm.**
- When using a door closer, we recommend a minimum of 4 hinges be used, with the top hinge located as high as possible.
- Standard Door: 2040 (H) x 820 (W) - 3 hinges.

FIXING

- 32mm x 10g stainless steel fasteners for timber (supplied).
- 12mm x M5 stainless steel metal fasteners (supplied).
- Pop rivets are not recommended.
- Not recommended for Bi-Fold door systems.

FINISH

- Satin finish.

SPECIAL NOTE

- The S 252 meets the UK and the Council of European Communities standard for Pedestrian access doors, including fire and smoke doors. The EC certificate of Conformity is 359-CPD-0043 / EN 1935:2002 / AC : 2003.

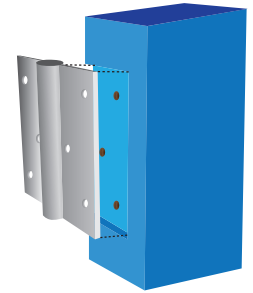
316

Code No. S 252

RECESS MOUNTED HINGE INFORMATION

Standard Application:

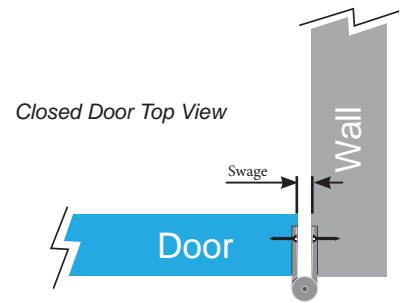
- The top hinge is 127mm down from the frame rebate to top of the hinge.
- Bottom hinge 254mm from bottom edge of barrel to finished floor.
- The third hinge is centered between the top and bottom hinges (if more than three hinges used, distance is equal for all between the top and bottom hinges.).
- See Example Door A.
- The hinge is to be recessed into the frame door to a depth equal to the thickness of the hinge leaf. This should also be done to the edge of the door to be swung.
- There will be a gap between the frame and the door edge equal to the distance between the two hinges when in the closed position (known as the 'Swage'). See Closed Door Top View diagram.
- Space out and mark all holes for pre-drilling before attaching the hinges.



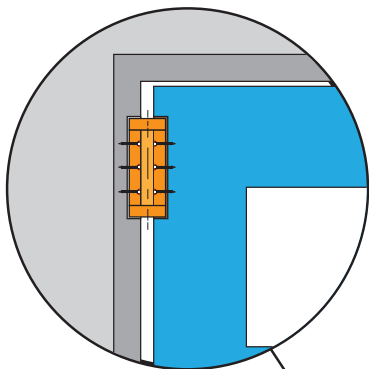
Recess, Pre-drill and Mount

With Door Closer:

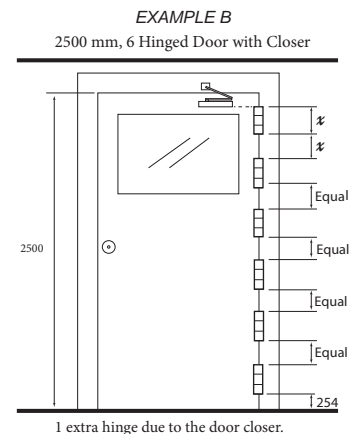
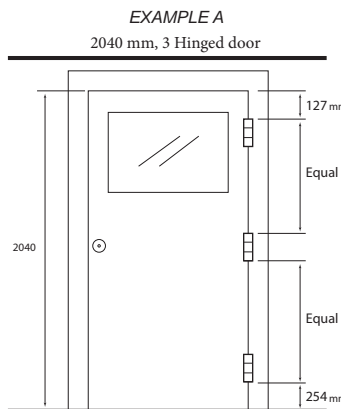
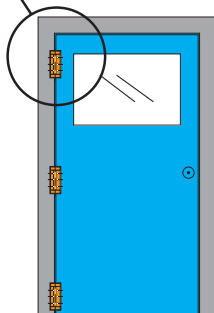
- If you are using a door closer, you will need to add an extra hinge on top of the advised chart.
- The spacing between the top two hinges should be the same as the length of the hinge.
- The first hinge should be as close (high) as possible to the door closer. The second should then be spaced equal to the hinge size (length) down the door. All subsequent hinges should be evenly spaced thereafter. See Example Door B.



Closed Door Top View



Mounted View



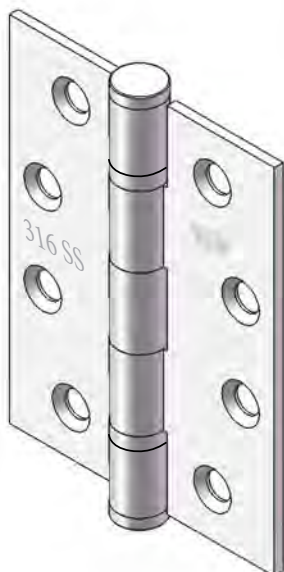
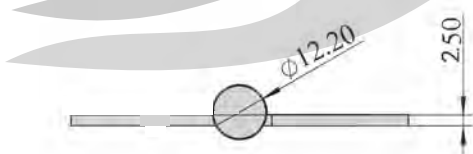
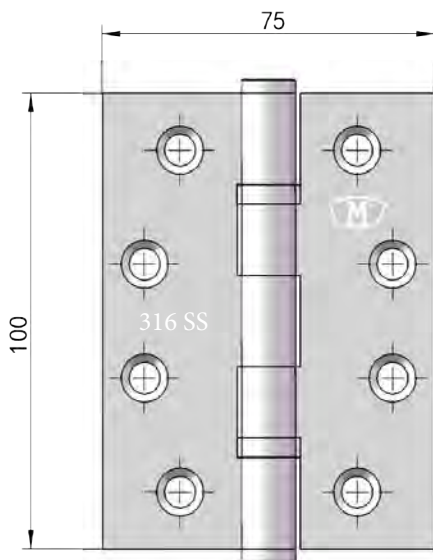
Number of Hinges Required per Door Size

	820 - 900 mm (W)	900 - 1000 mm (W)
2100 mm (H) to 2300 mm (H)	3	4
2500 mm (H) to 2700 mm (H)	4	5
2900 mm (H)	5	6

*All information is regarded as generic unless specified in writing by us.
 Contact us for custom sizes and further information.

STAINLESS STEEL 316 BALL BEARING BUTT HINGE

Code No. S 253



APPLICATION

- Suitable for aluminium and timber doors with aluminium, steel and timber frames.

SPECIFICATION

- **Material:** Stainless Steel 316 Grade.
- **Pin Dia:** 6.9mm - Stainless Steel 316 Grade.
- **Knuckle:** Round
- **Endcaps:** Pressed-in interference fit. Stainless Steel 316 Grade.
- Stamped with McCallum crest.
- Fixed Pin.
- **Bearings:** 2 Stainless Steel Off-Cage Ball Bearings.

INSTALLATION GUIDE ONLY

- **Door thickness: Minimum 35mm.**
- When using a door closer, we recommend a minimum of 4 hinges be used, with the top hinge located as high as possible.
- Standard Door: 2040 (H) x 820 (W) - 3 hinges.

FIXING

- 32mm x 10g stainless steel fasteners for timber (supplied).
- 12mm x M5 stainless steel metal fasteners (supplied).
- Pop rivets are not recommended.
- Not recommended for Bi-Fold door systems.

FINISH

- Polished finish.

SPECIAL NOTE

- The S 253 meets the UK and the Council of European Communities standard for Pedestrian access doors, including fire and smoke doors. The EC certificate of Conformity is 359-CPD-0043 / EN 1935:2002 / AC : 2003.

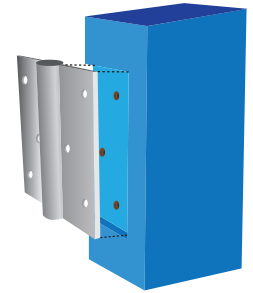
316

Code No. S 253

RECESS MOUNTED HINGE INFORMATION

Standard Application:

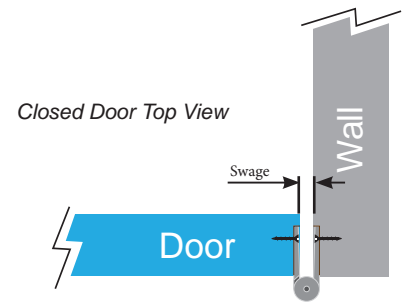
- The top hinge is 127mm down from the frame rebate to top of the hinge.
- Bottom hinge 254mm from bottom edge of barrel to finished floor.
- The third hinge is centered between the top and bottom hinges (if more than three hinges used, distance is equal for all between the top and bottom hinges.).
- See Example Door A.
- The hinge is to be recessed into the frame door to a depth equal to the thickness of the hinge leaf. This should also be done to the edge of the door to be swung.
- There will be a gap between the frame and the door edge equal to the distance between the two hinges when in the closed position (known as the 'Swage'). See Closed Door Top View diagram.
- Space out and mark all holes for pre-drilling before attaching the hinges.



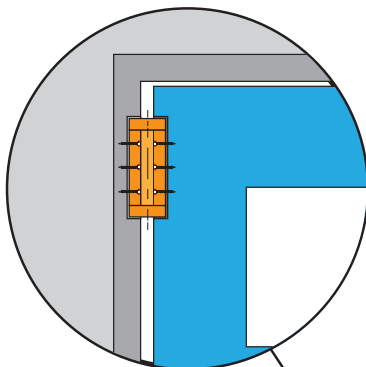
Recess, Pre-drill and Mount

With Door Closer:

- If you are using a door closer, you will need to add an extra hinge on top of the advised chart.
- The spacing between the top two hinges should be the same as the length of the hinge.
- The first hinge should be as close (high) as possible to the door closer. The second should then be spaced equal to the hinge size (length) down the door. All subsequent hinges should be evenly spaced thereafter. See Example Door B.



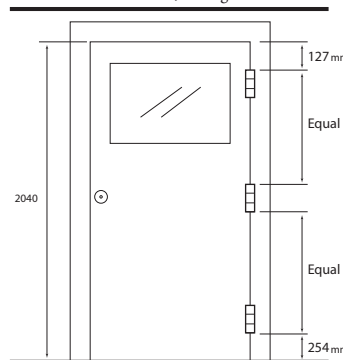
Closed Door Top View



Mounted View

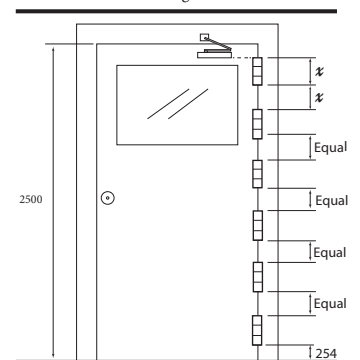
EXAMPLE A

2040 x 820mm, 3 Hinged door



EXAMPLE B

2500 x 920mm, 6 Hinged Door with Closer



1 extra hinge due to the door closer.

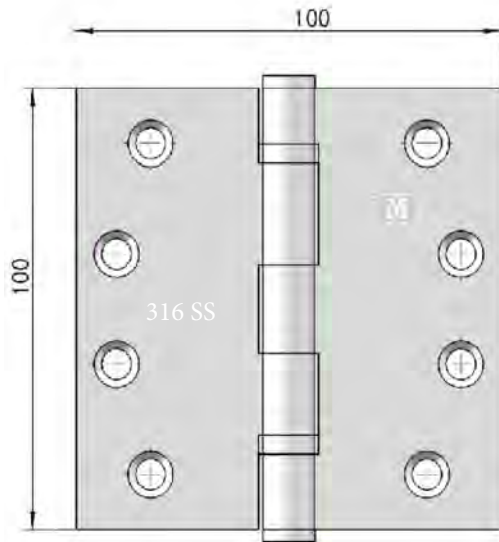
Number of Hinges Required per Door Size

	820 - 900 mm (W)	900 - 1000 mm (W)
2100 mm (H) to 2300 mm (H)	3	4
2500 mm (H) to 2700 mm (H)	4	5
2900 mm (H)	5	6

*All information is regarded as generic unless specified in writing by us.
 Contact us for custom sizes and further information.

STAINLESS STEEL 316 BALL BEARING BUTT HINGE

Code No. S 254



APPLICATION

- Suitable for aluminium and timber doors with aluminium, steel and timber frames.

SPECIFICATION

- **Material:** Stainless Steel **316** Grade.
- **Pin Dia:** 6.9mm - Stainless Steel **316** Grade.
- **Knuckle:** Round
- **Endcaps:** Pressed-in interference fit. Stainless Steel **316** Grade.
- Stamped with McCallum crest.
- Fixed Pin.
- **Bearings:** 2 Stainless Steel Off-Cage Ball Bearings.

INSTALLATION GUIDE ONLY

- **Door thickness: Minimum 35mm.**
- When using a door closer, we recommend a minimum of 4 hinges be used, with the top hinge located as high as possible.
- Standard Door: 2040 (H) x 820 (W) - 3 hinges.

FIXING

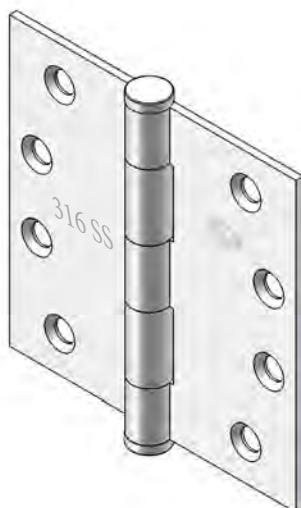
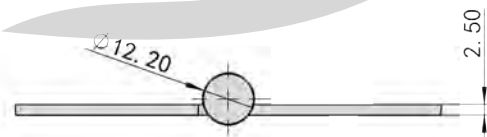
- 32mm x 10g stainless steel fasteners for timber (supplied).
- 12mm x M5 stainless steel metal fasteners (supplied).
- Pop rivets are not recommended.
- Not recommended for Bi-Fold door systems.

FINISH

- Satin finish.

SPECIAL NOTE

- The S 254 meets the UK and the Council of European Communities standard for Pedestrian access doors, including fire and smoke doors. The EC certificate of Conformity is 359-CPD-0043 / EN 1935:2002 / AC : 2003.



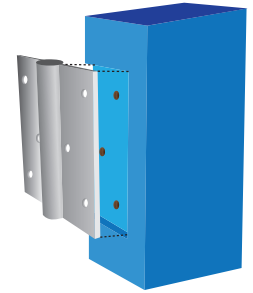
316

Code No. S 254

RECESS MOUNTED HINGE INFORMATION

Standard Application:

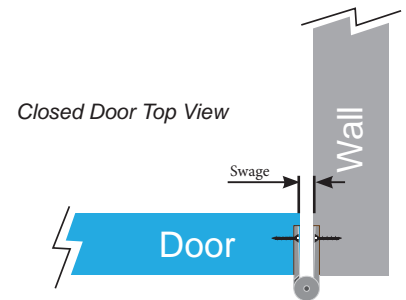
- The top hinge is 127mm down from the frame rebate to top of the hinge.
- Bottom hinge 254mm from bottom edge of barrel to finished floor.
- The third hinge is centered between the top and bottom hinges (if more than three hinges used, distance is equal for all between the top and bottom hinges.).
- See Example Door A.
- The hinge is to be recessed into the frame door to a depth equal to the thickness of the hinge leaf. This should also be done to the edge of the door to be swung.
- There will be a gap between the frame and the door edge equal to the distance between the two hinges when in the closed position (known as the 'Swage'). See Closed Door Top View diagram.
- Space out and mark all holes for pre-drilling before attaching the hinges.



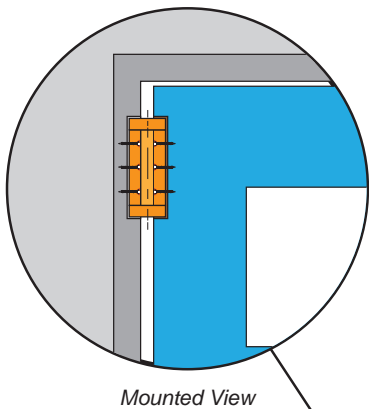
Recess, Pre-drill and Mount

With Door Closer:

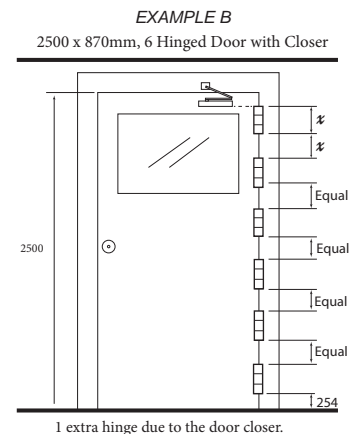
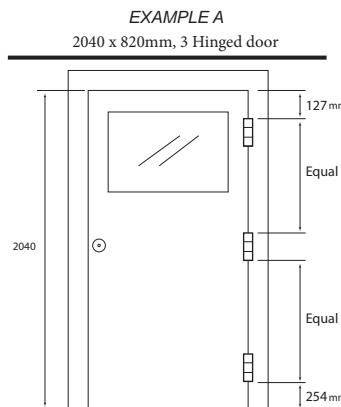
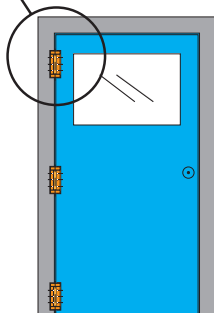
- If you are using a door closer, you will need to add an extra hinge on top of the advised chart.
- The spacing between the top two hinges should be the same as the length of the hinge.
- The first hinge should be as close (high) as possible to the door closer. The second should then be spaced equal to the hinge size (length) down the door. All subsequent hinges should be evenly spaced thereafter. See Example Door B.



Closed Door Top View



Mounted View



Number of Hinges Required per Door Size	
820 - 900 mm (W)	
2100 mm (H)	3
2300 mm (H)	4
2500 mm (H)	5
2700 mm (H)	6
2900 mm (H)	7
*All information is regarded as generic unless specified in writing by us. Contact us for custom sizes and further information.	

STAINLESS STEEL 316 BALL BEARING BUTT HINGE

Code No. S 255

APPLICATION

- Suitable for aluminium and timber doors with aluminium, steel and timber frames.

SPECIFICATION

- **Material:** Stainless Steel **316** Grade.
- **Pin Dia:** 6.9mm - Stainless Steel **316** Grade.
- **Knuckle:** Round
- **Endcaps:** Pressed-in interference fit. Stainless Steel **316** Grade.
- Stamped with McCallum crest.
- Fixed Pin.
- **Bearings:** 2 Stainless Steel Off-Cage Ball Bearings.

INSTALLATION GUIDE ONLY

- **Door thickness: Minimum 35mm.**
- When using a door closer, we recommend a minimum of 4 hinges be used, with the top hinge located as high as possible.
- Standard Door: 2040 (H) x 820 (W) - 3 hinges.

FIXING

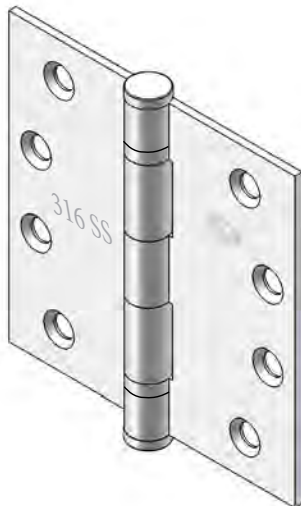
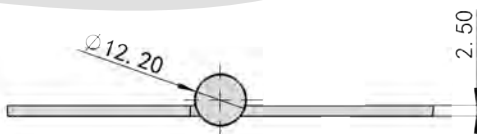
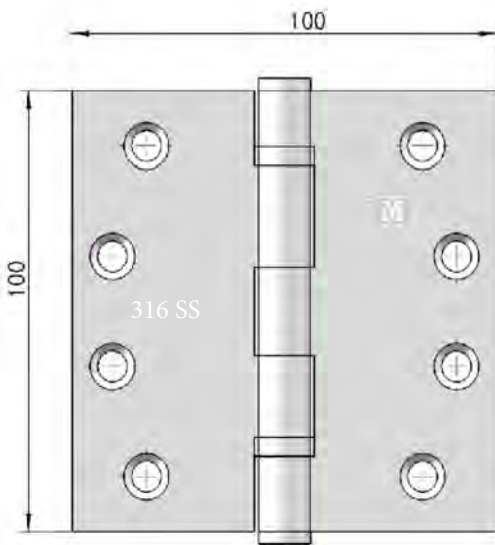
- 32mm x 10g stainless steel fasteners for timber (supplied).
- 12mm x M5 stainless steel metal fasteners (supplied).
- Pop rivets are not recommended.
- Not recommended for Bi-Fold door systems.

FINISH

- Polished finish.

SPECIAL NOTE

- The S 255 meets the UK and the Council of European Communities standard for Pedestrian access doors, including fire and smoke doors. The EC certificate of Conformity is 359-CPD-0043 / EN 1935:2002 / AC : 2003.



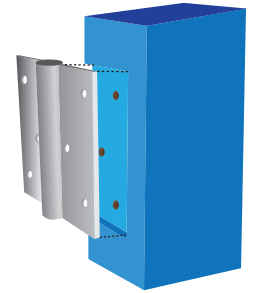
316

Code No. S 255

RECESS MOUNTED HINGE INFORMATION

Standard Application:

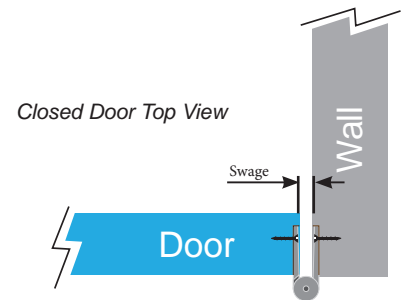
- The top hinge is 127mm down from the frame rebate to top of the hinge.
- Bottom hinge 254mm from bottom edge of barrel to finished floor.
- The third hinge is centered between the top and bottom hinges (if more than three hinges used, distance is equal for all between the top and bottom hinges.).
- See Example Door A.
- The hinge is to be recessed into the frame door to a depth equal to the thickness of the hinge leaf. This should also be done to the edge of the door to be swung.
- There will be a gap between the frame and the door edge equal to the distance between the two hinges when in the closed position (known as the 'Swage'). See Closed Door Top View diagram.
- Space out and mark all holes for pre-drilling before attaching the hinges.



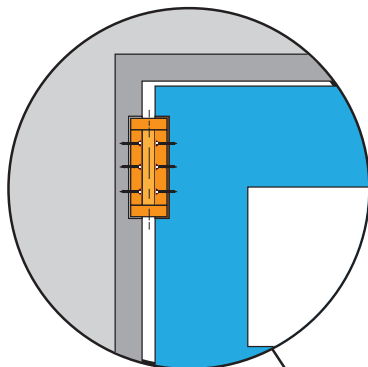
Recess, Pre-drill and Mount

With Door Closer:

- If you are using a door closer, you will need to add an extra hinge on top of the advised chart.
- The spacing between the top two hinges should be the same as the length of the hinge.
- The first hinge should be as close (high) as possible to the door closer. The second should then be spaced equal to the hinge size (length) down the door. All subsequent hinges should be evenly spaced thereafter. See Example Door B.



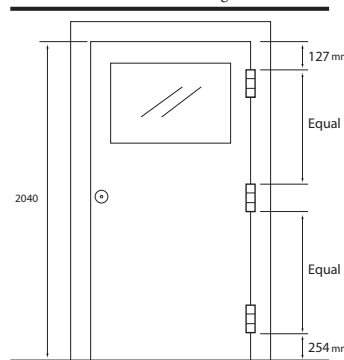
Closed Door Top View



Mounted View

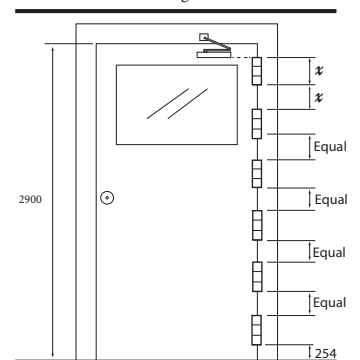
EXAMPLE A

2040 x 820mm, 3 Hinged door



EXAMPLE B

2900 x 820mm, 6 Hinged Door with Closer



1 extra hinge due to the door closer.

Number of Hinges Required per Door Size

	820 - 900 mm (W)
2100 mm (H) to 2300 mm (H)	3
2500 mm (H) to 2700 mm (H)	4
2900 mm (H)	5
*All information is regarded as generic unless specified in writing by us. Contact us for custom sizes and further information.	

INTERFOLD HINGES



STAINLESS STEEL INTERFOLD HINGE

Code No. S 260

APPLICATION

- Suitable for aluminium and timber doors in medium usage situations.
- Offset Knuckle

SPECIFICATION

- **Material:** Stainless Steel **304** Grade
- **Bearings:** 2 Stainless Steel Off-Cage Ball Bearings.
- **Pin Dia:** 6.9mm - Stainless Steel **304** Grade.
- **Knuckle:** Round.
- **Endcaps:** Dome, Pressed-in interference knurled fit. Stainless Steel **304** Grades Steel.

INSTALLATION GUIDE ONLY

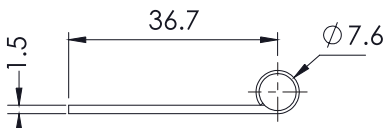
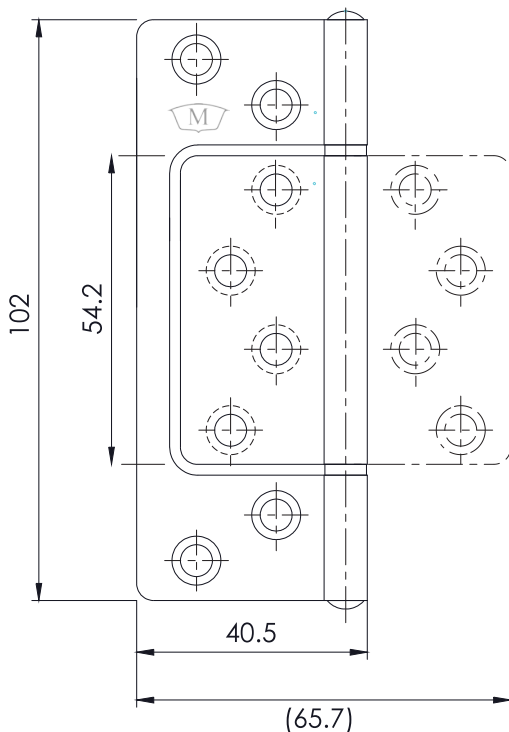
- **Door thickness: Minimum 35mm.**
- When using a door closer, we recommend a minimum of 3 hinges be used, with the top hinge located as high as possible. For excessive usage a fourth hinge may be required.
- Standard Door: 2040 (H) x 820 (W) x 20 kg - 3 hinges

FIXING

- **Fastening screws supplied.**
- Pop rivets are not recommended.

FINISH

- Satin finish Stainless Steel.

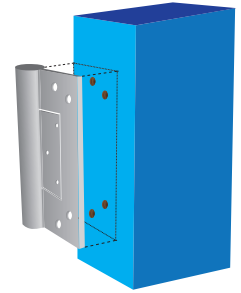


Code No. S 260

INTERFOLD HINGE INFORMATION

Standard Application:

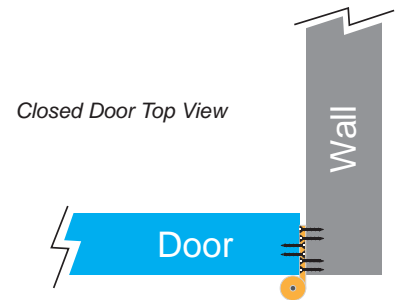
- The top hinge is 127mm down from the frame mark to top of the hinge.
- Bottom hinge 254mm from bottom edge of barrel to finished floor.
- The third hinge is centered between the top and bottom hinges (if more than three hinges used, hinge spacings are equal between all hinges from the top to the bottom hinges.). See Example Door A.
- Hinge is to be mounted directly onto the door and frame as it is a surface mount application. There will be a gap between the frame and the door edge equal to the thickness of the hinge leaf. This will also be equal to the gap above the door.
- Space out and mark all holes for pre-drilling before attaching the hinges to the frame.
- Please note if the hinge is 'Offset' - where the barrel sits to one side of the hinge leaf. This will result in misalignments when hanging.



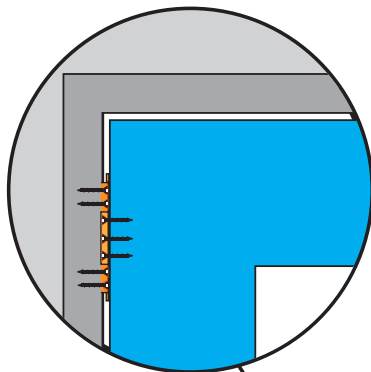
Pre-drill and Mount

With Door Closer:

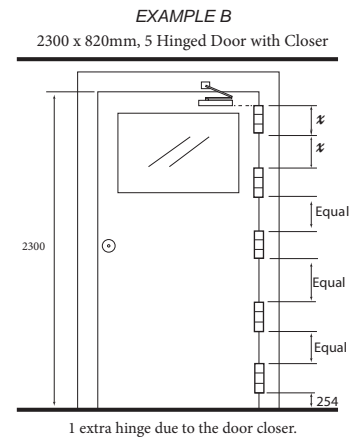
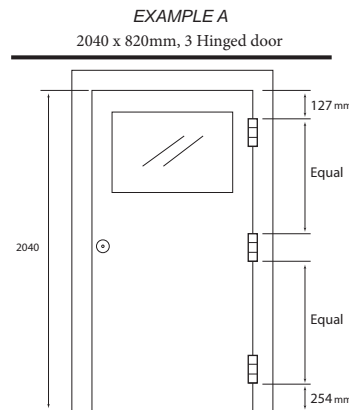
- If you are using a door closer, you will need to add an extra hinge on top of the advised chart.
- The spacing between the top two hinges should be the same as the length of the hinge.
- The first hinge should be as close (high) as possible to the door closer. The second should then be spaced equal to the hinge size (length) down the door. All subsequent hinges should be evenly spaced thereafter. See Example Door B.



Closed Door Top View



Mounted View



Number of Hinges Required per Door Size

	820 mm (W)
2100 mm (H)	3
2300 mm (H)	4
*All information is regarded as generic unless specified in writing by us. Contact us for custom sizes and further information.	

STAINLESS STEEL OFFSET INTERFOLD HINGE

Code No. S 261

APPLICATION

- Suitable for aluminium doors in medium usage situations.
- Offset Knuckle

SPECIFICATION

- **Material:** Stainless Steel **304** Grade.
- **Bearings:** 2 Stainless Steel Off-Cage Ball Bearings.
- **Pin Dia:** 6.9mm - Stainless Steel **304** Grade.
- **Knuckle:** Round
- **Endcaps:** Pressed-in interference knurled fit. Stainless Steel **304** Grades Steel.

INSTALLATION GUIDE ONLY

- **Door thickness: Minimum 35mm.**
- When using a door closer, we recommend a minimum of 3 hinges be used, with the top hinge located as high as possible. For excessive usage a fourth hinge may be required.
- Standard Door: 2040 (H) x 820 (W) x 20 kg - 3 hinges

FIXING

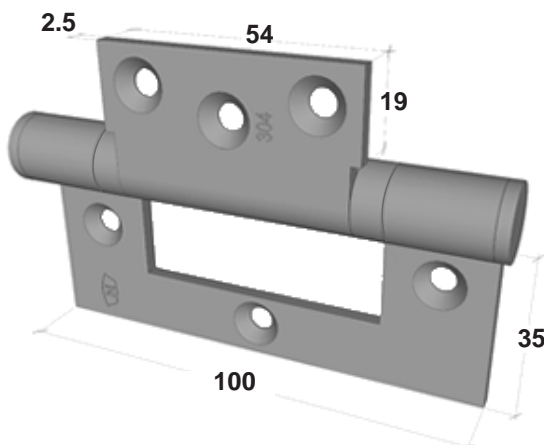
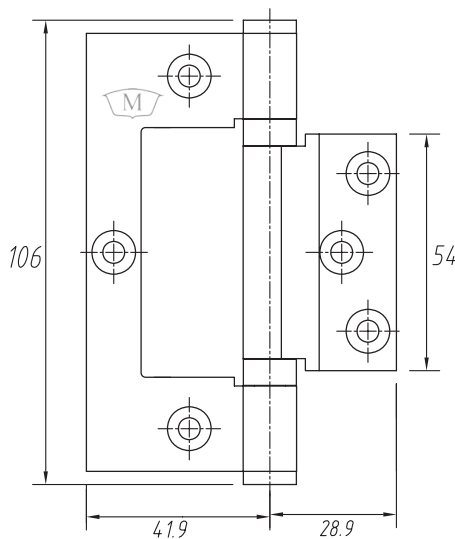
- **Fastening screws supplied.**
- Pop rivets are not recommended.

FINISH

- Satin finish Stainless Steel.

OLD CODE NO.

- S801

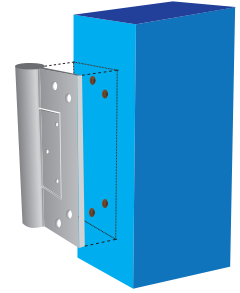


Code No. S 261

INTERFOLD HINGE INFORMATION

Standard Application:

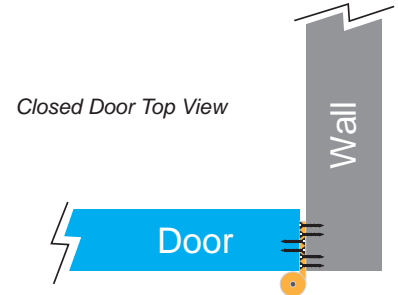
- The top hinge is 127mm down from the frame mark to top of the hinge.
- Bottom hinge 254mm from bottom edge of barrel to finished floor.
- The third hinge is centered between the top and bottom hinges (if more than three hinges used, hinge spacings are equal between all hinges from the top to the bottom hinges.). See Example Door A.
- Hinge is to be mounted directly onto the door and frame as it is a surface mount application. There will be a gap between the frame and the door edge equal to the thickness of the hinge leaf. This will also be equal to the gap above the door.
- Space out and mark all holes for pre-drilling before attaching the hinges to the frame.
- Please note if the hinge is 'Offset' - where the barrel sits to one side of the hinge leaf. This will result in misalignments when hanging.



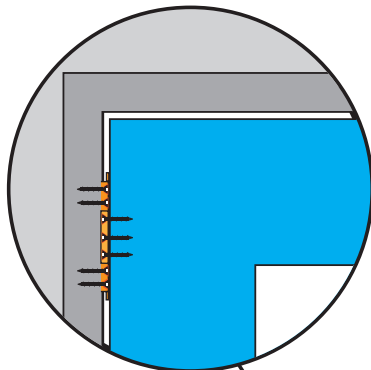
Pre-drill and Mount

With Door Closer:

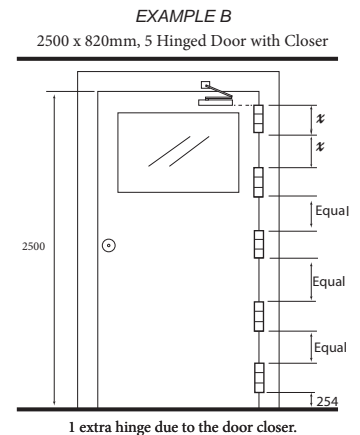
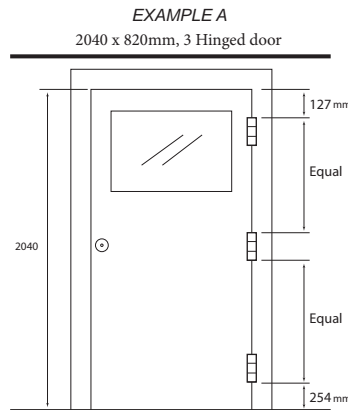
- If you are using a door closer, you will need to add an extra hinge on top of the advised chart.
- The spacing between the top two hinges should be the same as the length of the hinge.
- The first hinge should be as close (high) as possible to the door closer. The second should then be spaced equal to the hinge size (length) down the door. All subsequent hinges should be evenly spaced thereafter. See Example Door B.



Closed Door Top View



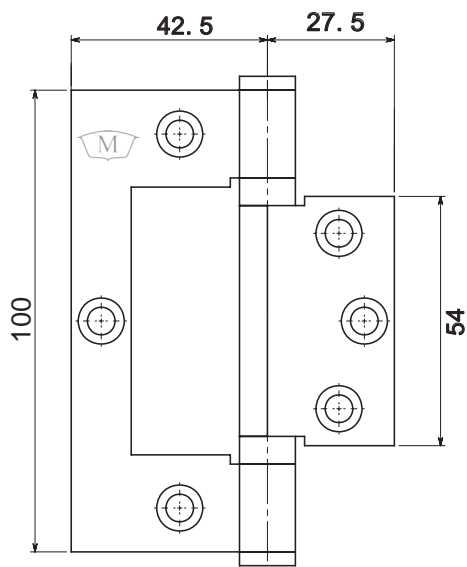
Mounted View



Number of Hinges Required per Door Size	
	820 mm (W)
2100 mm (H)	3
2300 mm (H) to 2500 mm (H)	4
*All information is regarded as generic unless specified in writing by us. Contact us for custom sizes and further information.	

STAINLESS STEEL OFFSET INTERFOLD HINGE

Code No. S 262



APPLICATION

- Suitable for timber doors in medium usage situations.
- **The S261 may be more suitable for timber because the fixing holes on the large leaf are further away from the timber edge.**
- Offset Knuckle

SPECIFICATION

- **Material:** Stainless Steel **304** Grade.
- **Bearings:** 2 Stainless Steel Off-Cage Ball Bearings.
- **Pin Dia:** 6.9mm - Stainless Steel **304** Grade.
- **Knuckle:** Round
- **Endcaps:** Pressed-in interference knurled fit. Stainless Steel **304** Grade.

INSTALLATION GUIDE ONLY

- **Door thickness: Minimum 35mm.**
- When using a door closer, we recommend a minimum of 3 hinges be used, with the top hinge located as high as possible. For excessive usage a fourth hinge may be required.
- Standard Door: 2040 (H) x 820 (W) x 20 kg - 3 hinges

FIXING

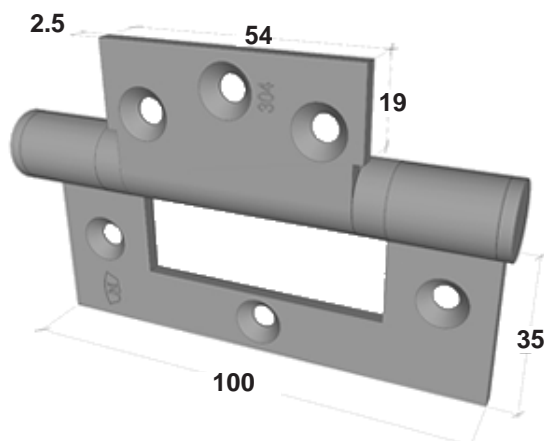
- **Fastening screws supplied.**
- Pop rivets are not recommended.

FINISH

- Satin finish Stainless Steel.

OLD CODE NO.

- S801T

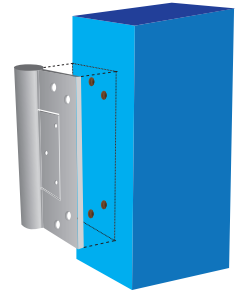


Code No. S 262

INTERFOLD HINGE INFORMATION

Standard Application:

- The top hinge is 127mm down from the frame mark to top of the hinge.
- Bottom hinge 254mm from bottom edge of barrel to finished floor.
- The third hinge is centered between the top and bottom hinges (if more than three hinges used, hinge spacings are equal between all hinges from the top to the bottom hinges.). See Example Door A.
- Hinge is to be mounted directly onto the door and frame as it is a surface mount application. There will be a gap between the frame and the door edge equal to the thickness of the hinge leaf. This will also be equal to the gap above the door.
- Space out and mark all holes for pre-drilling before attaching the hinges to the frame.
- Please note if the hinge is 'Offset' - where the barrel sits to one side of the hinge leaf. This will result in misalignments when hanging.

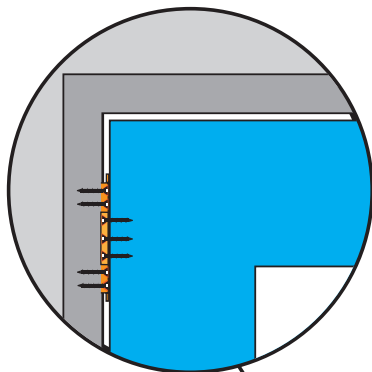
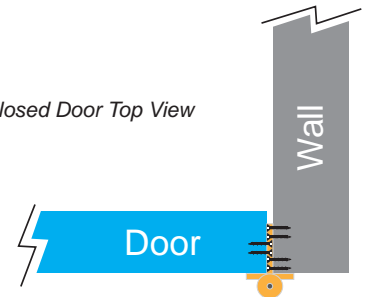


Pre-drill and Mount

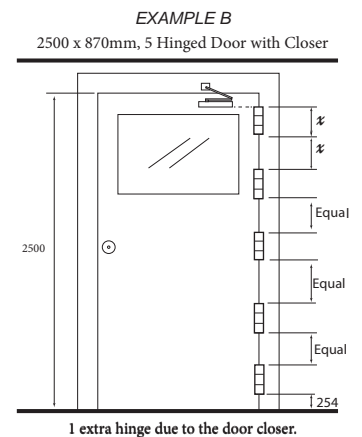
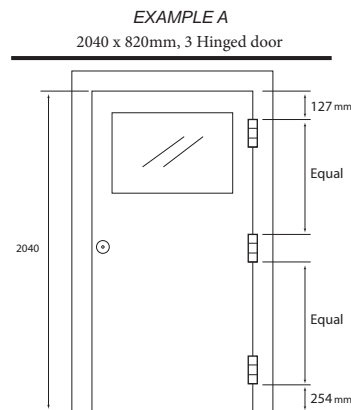
With Door Closer:

- If you are using a door closer, you will need to add an extra hinge on top of the advised chart.
- The spacing between the top two hinges should be the same as the length of the hinge.
- The first hinge should be as close (high) as possible to the door closer. The second should then be spaced equal to the hinge size (length) down the door. All subsequent hinges should be evenly spaced thereafter. See Example Door B.

Closed Door Top View



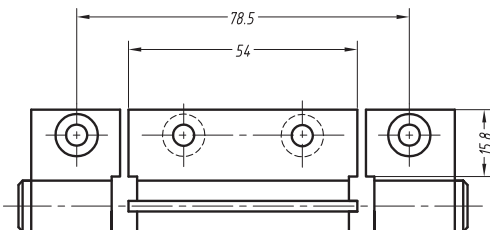
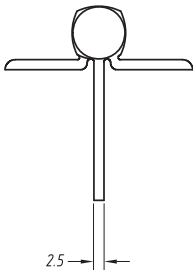
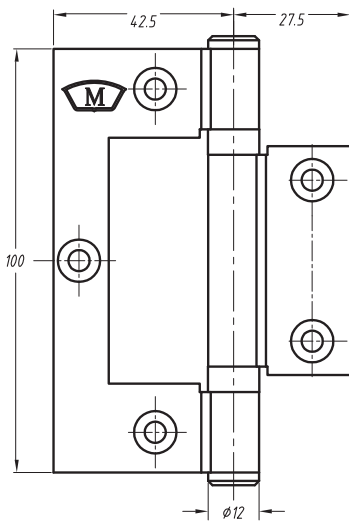
Mounted View



Number of Hinges Required per Door Size	
	820 mm (W)
2100 mm (H)	3
2300 mm (H) to 2500 mm (H)	4
*All information is regarded as generic unless specified in writing by us. Contact us for custom sizes and further information.	

STAINLESS STEEL INTERFOLD HINGE

Code No. S 263



APPLICATION

- Suitable for aluminium entrance doors in medium usage situations.
- Suitable for either centre pocket or front edge glazing systems.
- Suitable for some timber door applications.
- Pre-drilling of the holes in the timber may be required.

SPECIFICATION

- **Material:** Stainless Steel **304** Grade.
- **Bearings:** 2 Stainless Steel Off-Cage Ball Bearings.
- **Pin Dia:** 6.9mm - Stainless Steel **304** Grade.
- **Knuckle:** Round
- **Endcaps:** Pressed-in interference knurled fit. Stainless Steel **304** Grade.

INSTALLATION GUIDE ONLY

- **Door thickness: Minimum 35mm.**
- When using a door closer, we recommend a minimum of 3 hinges be used, with the top hinge located as high as possible. For excessive usage a fourth hinge may be required.
- Standard Door: 2040 (H) x 820 (W) x 50 kg - 3 hinges.
- **Special Note: this hinge, which is 2.5mm thick, is suitable for retro fitting where standard fast-fix hinges have failed. The wing fastening prevents the hinge from opening, and allows for a greater door weight.**

FIXING

- **Fastening screws supplied.**
- Pop rivets are not recommended.

FINISH

- Satin finish.

OLD CODE NO.

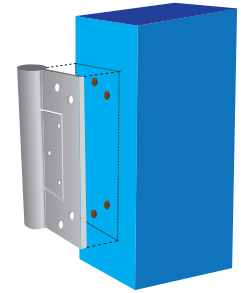
- S104 S

Code No. S 263

INTERFOLD HINGE INFORMATION

Standard Application:

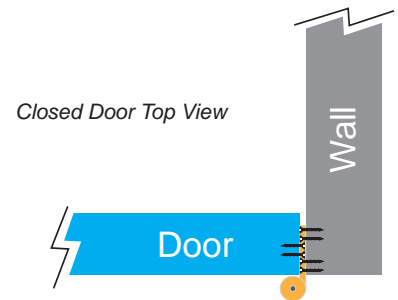
- The top hinge is 127mm down from the frame mark to top of the hinge.
- Bottom hinge 254mm from bottom edge of barrel to finished floor.
- The third hinge is centered between the top and bottom hinges (if more than three hinges used, hinge spacings are equal between all hinges from the top to the bottom hinges.). See Example Door A.
- Hinge is to be mounted directly onto the door and frame as it is a surface mount application. There will be a gap between the frame and the door edge equal to the thickness of the hinge leaf. This will also be equal to the gap above the door.
- Space out and mark all holes for pre-drilling before attaching the hinges to the frame.
- Please note if the hinge is 'Offset' - where the barrel sits to one side of the hinge leaf. This will result in misalignments when hanging.



Pre-drill and Mount

With Door Closer:

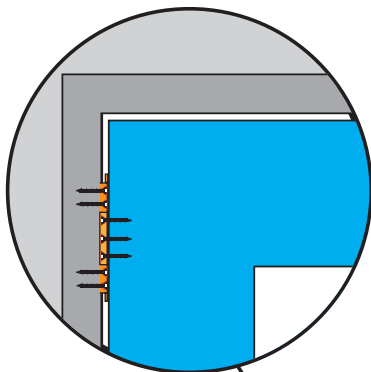
- If you are using a door closer, you will need to add an extra hinge on top of the advised chart.
- The spacing between the top two hinges should be the same as the length of the hinge.
- The first hinge should be as close (high) as possible to the door closer. The second should then be spaced equal to the hinge size (length) down the door. All subsequent hinges should be evenly spaced thereafter. See Example Door B.



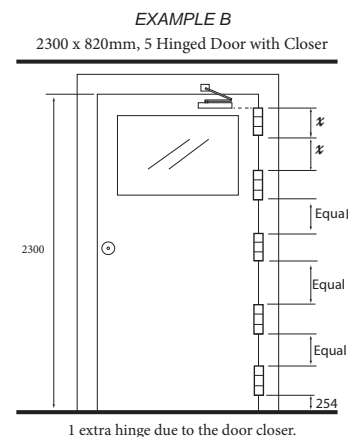
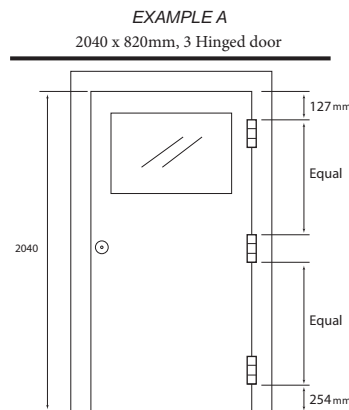
Closed Door Top View

Hinge Specific Information:

-
-
-
-
-



Mounted View



Number of Hinges Required per Door Size	
	820 (W)
2100 mm (H)	3
2300 mm (H)	4
2500 mm (H)	5
*All information is regarded as generic unless specified in writing by us. Contact us for custom sizes and further information.	

LIFT - OFF HINGES



STAINLESS STEEL LIFT - OFF HINGE

Code No. S 201

APPLICATION

- Lift-off facility for aluminium and timber doors.

SPECIFICATION

- **Material:** Stainless Steel **304** Grade.
- **Pin Dia:** 6.9mm - Stainless Steel **304** Grade.
- **Knuckle:** Round - 12mm diameter.
- **Endcaps:** Pressed-in interference knurled fit. Stainless Steel **304** Grade.
- **Pin:** 15mm

INSTALLATION GUIDE ONLY

- **LEFT HAND** is when the door coming toward you, and the hinges are on the left.
- **Door thickness: Minimum 35mm.**
- For excessive usage a fourth hinge may be required.
- Standard Door: 2040 (H) x 820 (W) x 25 kg - 3 hinges.
- For lift-off clearance, we recommend a 30mm gap, minimum at the top of the door.

FIXING

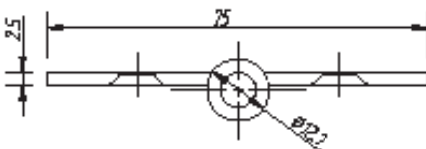
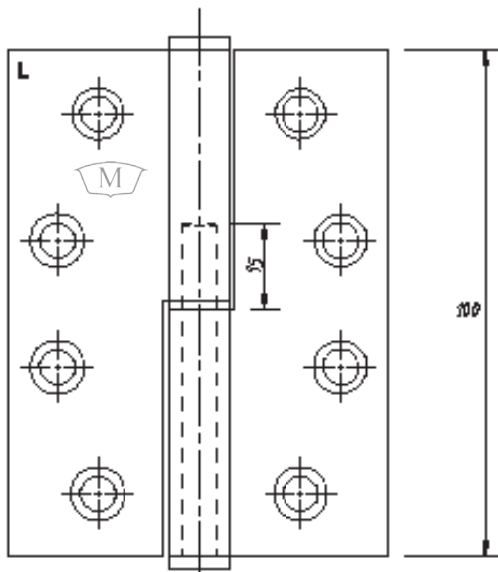
- **Fastening screws supplied.**
- Pop rivets are not recommended.

FINISH

- Satin finish.

OLD CODE NO.

- S102 LH

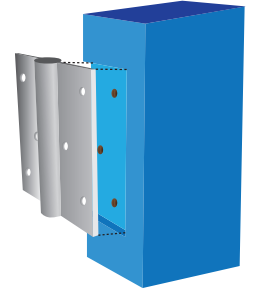


Code No. S 201

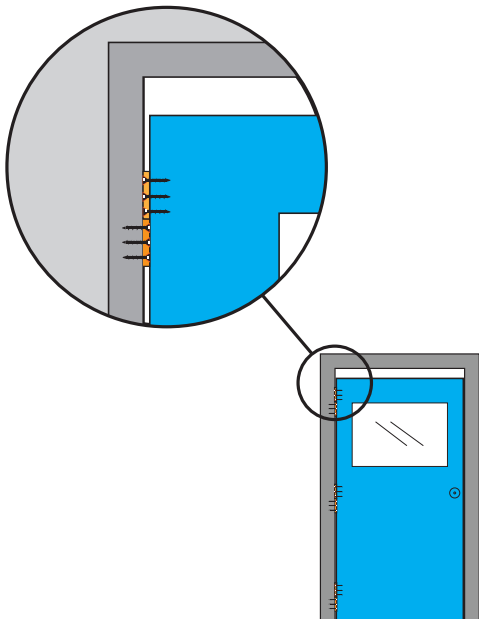
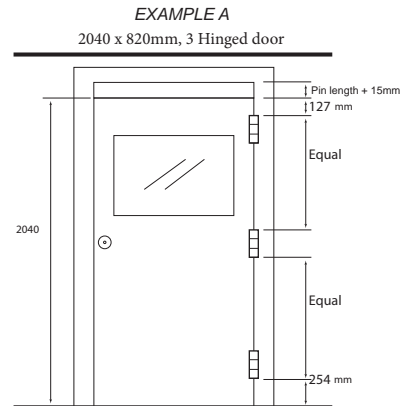
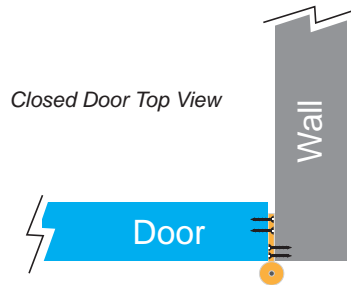
LIFT-OFF HINGE INFORMATION

Standard Application:

- The top hinge is 127mm down from the frame rebate to top of leaf.
- Bottom hinge 254mm from bottom edge of barrel to finished floor.
- The third hinge is centered between the top and bottom hinges (if more than three hinges used, distance is equal for all between the top and bottom hinges.).
- Hinge is to be recessed into the frame and door to a depth equal to the thickness of the hinge leaf.
- There will be a gap between the frame and the door edge equal to the distance between the two hinges when in the closed position (known as the 'Swage'). See Closed Door Top View diagram.
- Space out and mark all holes for pre-drilling before attaching the hinges to the frame. See Example Door A.



Recess, Pre-drill and Mount



Number of Hinges Required per Door Size	
820 - 900 mm (W)	
2100 mm (H)	3
2300 mm (H)	4
*All information is regarded as generic unless specified in writing by us. Contact us for custom sizes and further information.	

STAINLESS STEEL LIFT - OFF HINGE

Code No. S 202

APPLICATION

- Lift-off facility for aluminium and timber doors.

SPECIFICATION

- **Material:** Stainless Steel **304** Grade.
- **Pin Dia:** 6.9mm - Stainless Steel **304** Grade.
- **Knuckle:** Round - 12mm diameter.
- **Endcaps:** Pressed-in interference knurled fit. Stainless Steel **304** Grade.
- **Pin:** 15mm

INSTALLATION GUIDE ONLY

- **RIGHT HAND** is with the door coming toward you, and the hinges are on the right.
- **Door thickness: Minimum 35mm.**
- For excessive usage a fourth hinge may be required.
- Standard Door: 2040 (H) x 820 (W) x 25 kg - 3 hinges.
- For lift-off clearance, we recommend a 30mm gap, minimum at the top of the door.

FIXING

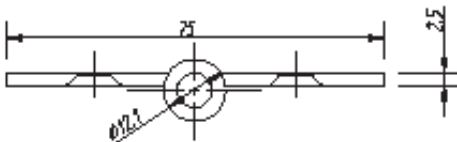
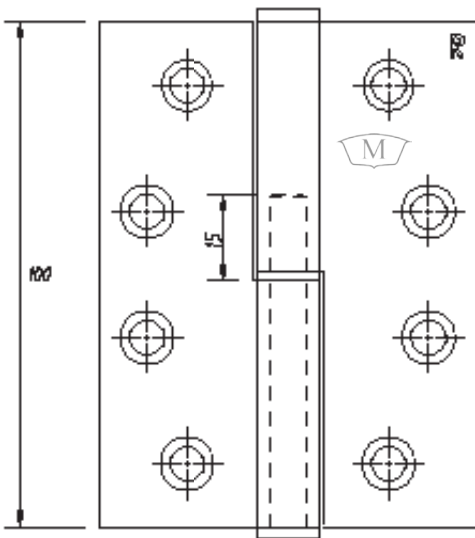
- **Fastening screws supplied.**
- Pop rivets are not recommended.

FINISH

- Satin finish.

OLD CODE NO.

- S102 RH

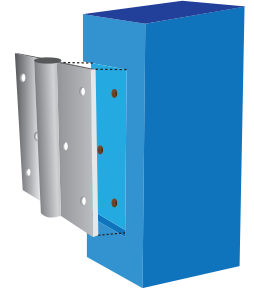


Code No. S 202

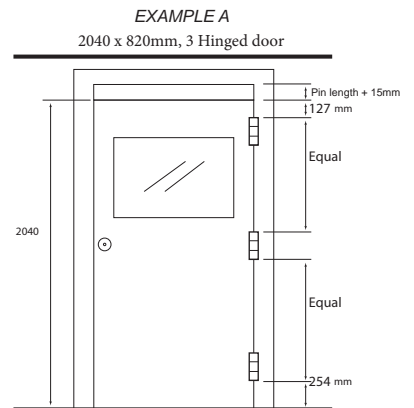
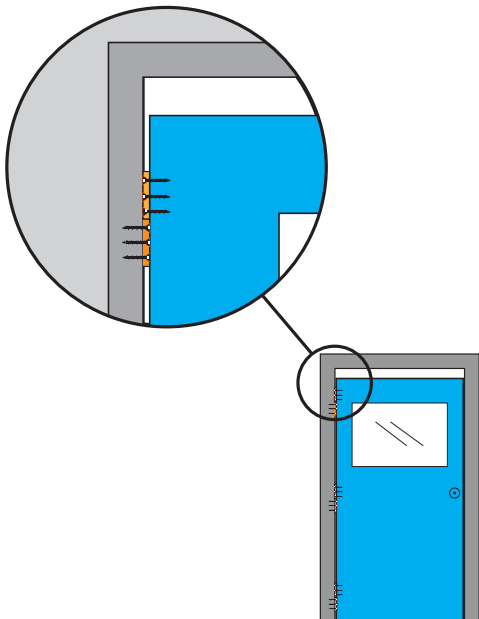
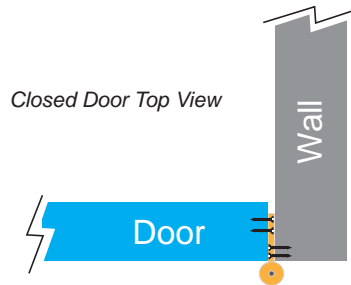
LIFT-OFF HINGE INFORMATION

Standard Application:

- The top hinge is 127mm down from the frame rebate to top of leaf.
- Bottom hinge 254mm from bottom edge of barrel to finished floor.
- The third hinge is centered between the top and bottom hinges (if more than three hinges used, distance is equal for all between the top and bottom hinges.).
- Hinge is to be recessed into the frame and door to a depth equal to the thickness of the hinge leaf.
- There will be a gap between the frame and the door edge equal to the distance between the two hinges when in the closed position (known as the 'Swage'). See Closed Door Top View diagram.
- Space out and mark all holes for pre-drilling before attaching the hinges to the frame. See Example Door A.



Recess, Pre-drill and Mount

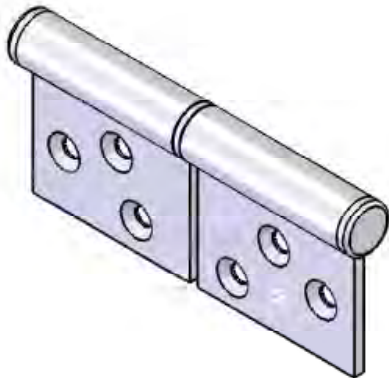
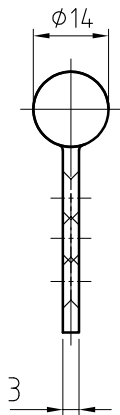
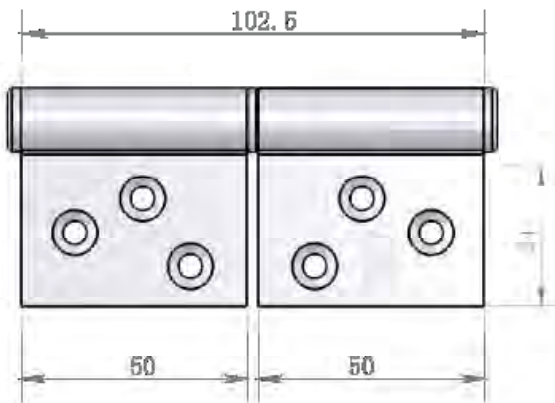


Number of Hinges Required per Door Size	
	820 - 900 mm (W)
2100 mm (H)	3
2300 mm (H)	4

*All information is regarded as generic unless specified in writing by us. Contact us for custom sizes and further information.

STAINLESS STEEL LIFT - OFF HINGE

Code No. S 203 **Universal** Lift Off



APPLICATION

- Lift-off facility for aluminium and timber doors.
- Universal fitting means application for both left and right handed doors.

SPECIFICATION

- **Material:** Stainless Steel **304** Grade.
- **Knuckle:** Round.
- **Pin Diameter:** 6.9mm - Stainless Steel **304** Grade.
- **Endcaps:** Pressed-in interference fit. Stainless Steel **304** Grade.
- **Pin Length:** 15mm

INSTALLATION GUIDE ONLY

- **These hinges are designed to suit left and right hand installations making it easier for specifying.**
- The leaves are central on the knuckle with double countersinking.
- Two of the screw holes in the leaf align with metal frame pattern. The third hole will require drilling and tapping of the frame.
- 3 x 12mm x M5 metal screws are supplied for the metal frame.
- **Door thickness: Minimum 35mm.**
- For excessive usage, a fourth hinge may be required.
- Standard Door: 2040 (H) x 820 (W) x 25 kg - 3 hinges.
- For lift-off clearance, we recommend a 30mm gap, minimum at the top of the door.

FIXING

- **Fastening screws supplied.**
- Pop rivets are not recommended.

FINISH

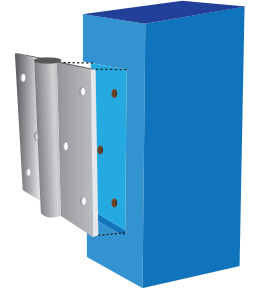
- Satin finish.

Code No. S 203

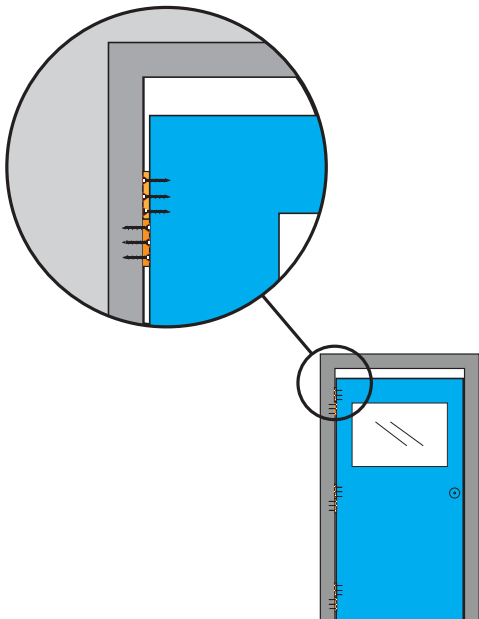
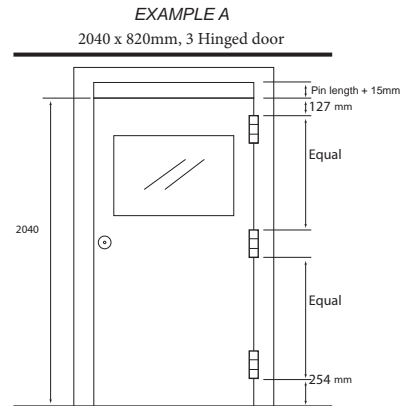
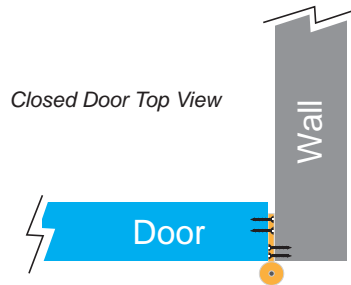
LIFT-OFF HINGE INFORMATION

Standard Application:

- The top hinge is 127mm down from the frame rebate to top of leaf.
- Bottom hinge 254mm from bottom edge of barrel to finished floor.
- The third hinge is centered between the top and bottom hinges (if more than three hinges used, distance is equal for all between the top and bottom hinges.).
- Hinge is to be recessed into the frame and door to a depth equal to the thickness of the hinge leaf.
- There will be a gap between the frame and the door edge equal to the distance between the two hinges when in the closed position (known as the 'Swage'). See Closed Door Top View diagram.
- Space out and mark all holes for pre-drilling before attaching the hinges to the frame. See Example Door A.



Recess, Pre-drill and Mount



Number of Hinges Required per Door Size	
	820 - 900 mm (W)
2100 mm (H)	3
2300 mm (H)	4
*All information is regarded as generic unless specified in writing by us. Contact us for custom sizes and further information.	

SPECIALTY HINGES



STAINLESS STEEL BUTT HINGE

Code No. S 271

APPLICATION

- Suitable for aluminium and timber doors with aluminium, steel and timber frames.

SPECIFICATION

- **Material:** Stainless Steel **304** Grade.
- **Bearings:** 2 off-cage ball bearings.
- **Pin Dia:** 6.9mm - 304 Stainless Steel.
- **Knuckle:** Round.
- **Endcaps:** Pressed-in interference fit. Stainless Steel **304** Grade.
- Stamped with McCallum crest.

INSTALLATION GUIDE ONLY

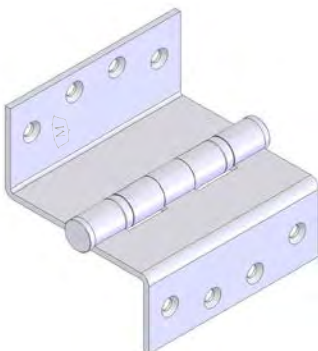
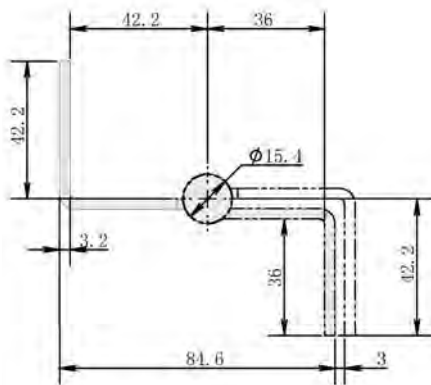
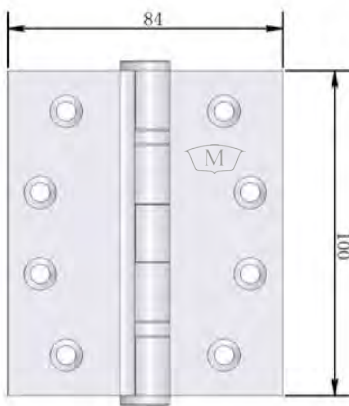
- **Door thickness: Minimum 32mm.**
- When using a door closer, we recommend a minimum of 4 hinges be used, with the top hinge located as high as possible.
- Standard Door: 2040 (H) x 820 (W) - 3 hinges.

FIXING

- 32mm x 10g stainless steel fasteners for timber (supplied).
- 12mm x M5 stainless steel metal fasteners (supplied).
- Pop rivets are not recommended.
- Not recommended for Bi-Fold door systems.

FINISH

- Satin finish.

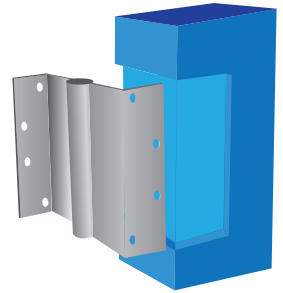


Code No. S 271

RECESS MOUNTED HINGE INFORMATION

Standard Application:

- The top hinge is 127mm down from the frame rebate to top of the hinge.
- Bottom hinge 254mm from bottom edge of barrel to finished floor.
- The third hinge is centered between the top and bottom hinges (if more than three hinges used, distance is equal for all between the top and bottom hinges.).
- See Example Door A.
- The hinge is to be recessed into the frame door to a depth equal to the thickness of the hinge leaf. This should also be done to the edge of the door to be swung.
- There will be a gap between the frame and the door edge equal to the distance between the two hinges when in the closed position (known as the 'Swage'). See Closed Door Top View diagram.
- Space out and mark all holes for pre-drilling before attaching the hinges.

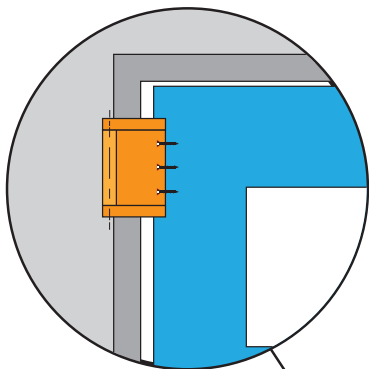
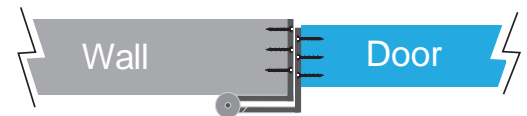


Recess, Pre-drill and Mount

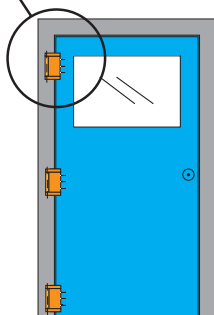
With Door Closer:

- If you are using a door closer, you will need to add an extra hinge on top of the advised chart.
- The spacing between the top two hinges should be the same as the length of the hinge.
- The first hinge should be as close (high) as possible to the door closer. The second should then be spaced equal to the hinge size (length) down the door. All subsequent hinges should be evenly spaced thereafter. See Example Door B.

Closed Door Top View

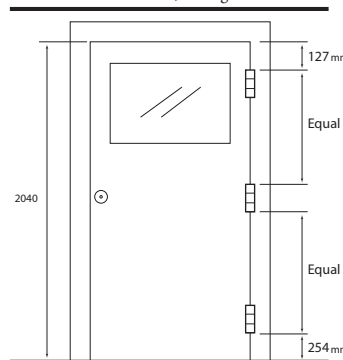


Mounted View



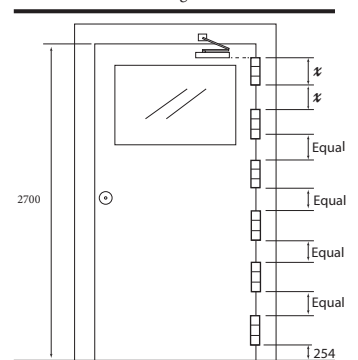
EXAMPLE A

2040 x 820mm, 3 Hinged door



EXAMPLE B

2700 x 920mm, 6 Hinged Door with Closer



Number of Hinges Required per Door Size

	820 - 900 mm (W)	900 - 1000 mm (W)
2100 mm (H) to 2300 mm (H)	3	4
2500 mm (H) to 2700 mm (H)	4	5
2900 mm (H)	5	6

*All information is regarded as generic unless specified in writing by us. Contact us for custom sizes and further information.

STAINLESS STEEL SCREEN BUTT HINGE

Code No. S 275

APPLICATION

- Screen doors and screens, small windows, some steel cabinet applications.

SPECIFICATION

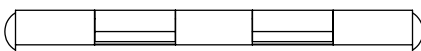
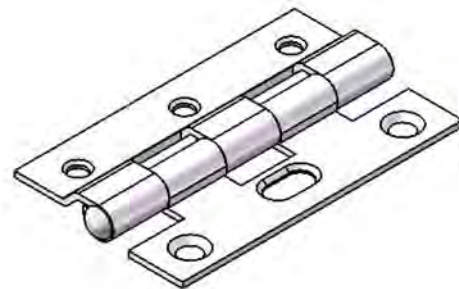
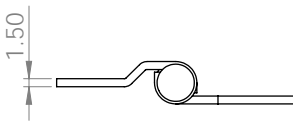
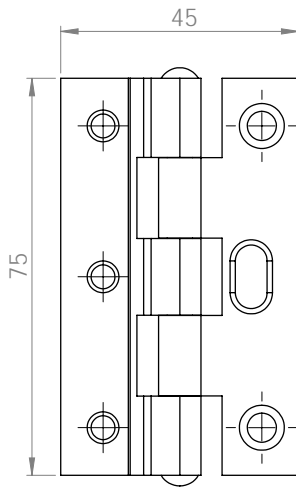
- **Material:** Stainless Steel **304** Grade.
- **Pin Dia:** 4.5mm - Stainless Steel **304** Grade - spin rivet.
- **Hole Pattern:** 3 holes in each leaf.
- Offset for screen door application.

FIXING

- **Fastening screws NOT supplied.**
- Pop rivets are not recommended.

FINISH

- Satin finish Stainless Steel.

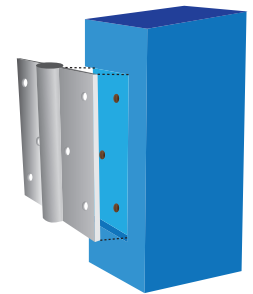


Code No. S 275

RECESS MOUNTED HINGE INFORMATION

Standard Application:

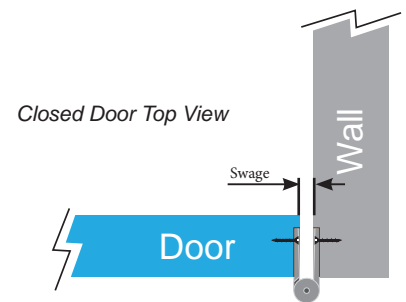
- The top hinge is 127mm down from the frame rebate to top of the hinge.
- Bottom hinge 254mm from bottom edge of barrel to finished floor.
- The third hinge is centered between the top and bottom hinges (if more than three hinges used, distance is equal for all between the top and bottom hinges.).
- See Example Door A.
- The hinge is to be recessed into the frame door to a depth equal to the thickness of the hinge leaf. This should also be done to the edge of the door to be swung.
- There will be a gap between the frame and the door edge equal to the distance between the two hinges when in the closed position (known as the 'Swage'). See Closed Door Top View diagram.
- Space out and mark all holes for pre-drilling before attaching the hinges.



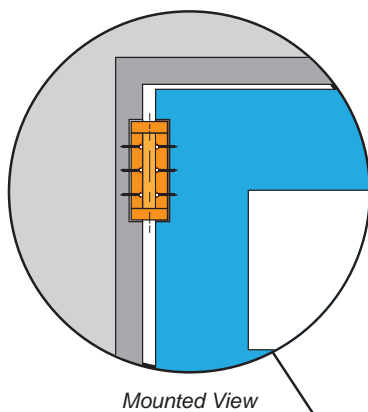
Recess, Pre-drill and Mount

With Door Closer:

- If you are using a door closer, you will need to add an extra hinge on top of the advised chart.
- The spacing between the top two hinges should be the same as the length of the hinge.
- The first hinge should be as close (high) as possible to the door closer. The second should then be spaced equal to the hinge size (length) down the door. All subsequent hinges should be evenly spaced thereafter. See Example Door B.

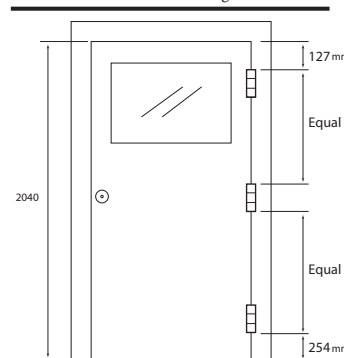


Closed Door Top View

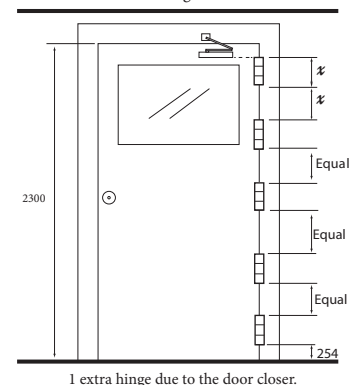


Mounted View

EXAMPLE A
2040 x 820mm, 3 Hinged door



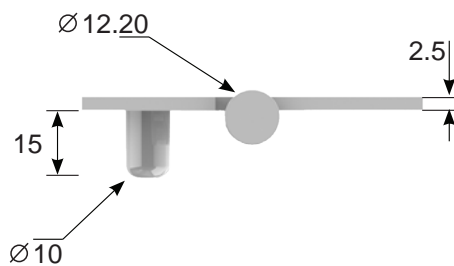
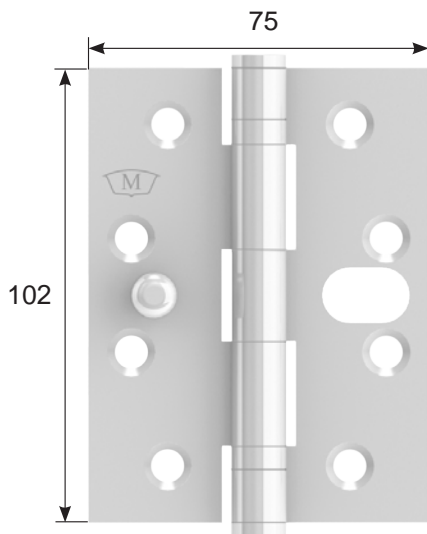
EXAMPLE B
2300 x 870mm, 5 Hinged Door with Closer



Number of Hinges Required per Door Size	
820 - 900 mm (W)	
2100 mm (H)	3
2300 mm (H)	4
*All information is regarded as generic unless specified in writing by us. Contact us for custom sizes and further information.	

STAINLESS STEEL SECURITY HINGE

Code No. S 277



APPLICATION

- For use on external doors for added security purposes.
- Not suitable for Timber Frame installations.
- When the door is in its closed position, the attached stud on the frame leaf projects in to a hole in the matching leaf to lock the door in position. Stopping any movement up or down.

SPECIFICATION

- **Material:** Stainless Steel 304.
- **Bearings:** 2 off-cage ball bearings.
- **Pin Dia:** 6.9mm - 304 Stainless Steel.
- **Knuckle:** Round.
- **Endcaps:** Pressed-in interference fit. Stainless Steel 304 Grade.
- **Security Pin:** Bevel-ended 304 Stainless Steel
- Stamped with McCallum crest.

INSTALLATION GUIDE ONLY

- **Door thickness:** Minimum 32mm.
- When using a door closer, we recommend a minimum of 4 hinges be used, with the top hinge located as high as possible.
- Standard Door: 2040 (H) x 820 (W) - 3 hinges.

FIXING

- **Fasteners supplied:** 12mm x M5 stainless steel metal fasteners.

FINISH

- Satin finish Stainless Steel.

SPECIAL NOTE

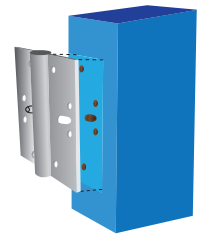
- The S 277 meets the UK and the Council of European Communities standard for Pedestrian access doors, including fire and smoke doors.
The CE certificate of Conformity is 359-CPD-0043 / EN 1935:2002 / AC : 2003.

Code No. S 277

MOUNTED HINGE INFORMATION

Standard Application:

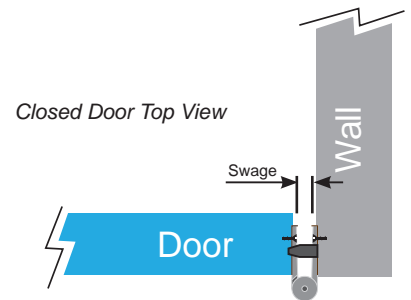
- The top hinge is 127mm down from the frame rebate to top of the hinge.
- Bottom hinge 254mm from bottom edge of barrel to finished floor.
- The third hinge is centered between the top and bottom hinges (if more than three hinges used, distance is equal for all between the top and bottom hinges.).
- See Example Door A.
- The hinge is to be recessed into the frame door to a depth equal to the thickness of the hinge leaf. This should also be done to the edge of the door to be swung.
- There will be a gap between the frame and the door edge equal to the distance between the two hinges when in the closed position (known as the 'Swage'). See Closed Door Top View diagram.
- Space out and mark all holes for pre-drilling before attaching the hinges.



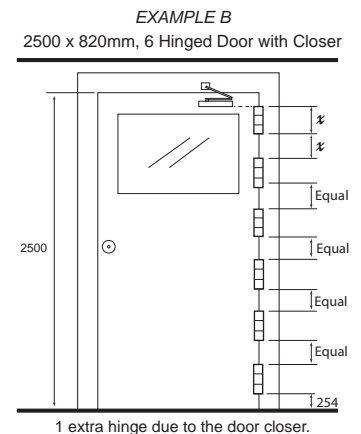
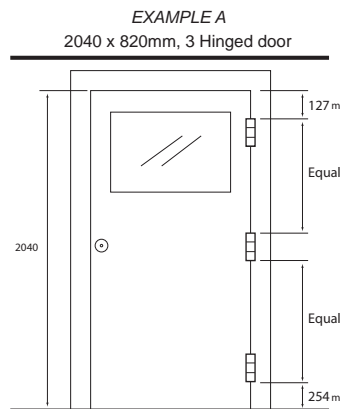
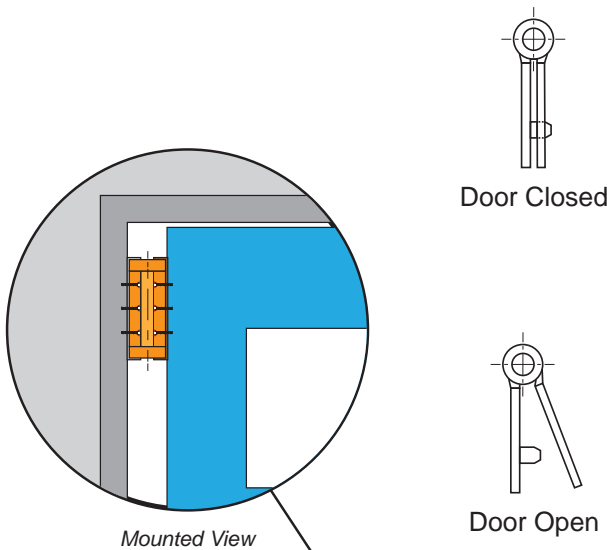
Pre-drill and Mount

With Door Closer:

- If you are using a door closer, you will need to add an extra hinge on top of the advised chart.
- The spacing between the top two hinges should be the same as the length of the hinge.
- The first hinge should be as close (high) as possible to the door closer. The second should then be spaced equal to the hinge size (length) down the door. All subsequent hinges should be evenly spaced thereafter. See Example Door B.



Closed Door Top View



Number of Hinges Required per Door Size	
820 - 900 mm (W)	
2100 mm (H)	3
2300 mm (H)	4
2500 mm (H)	5
*All information is regarded as generic unless specified in writing by us. Contact us for custom sizes and further information.	

STAINLESS STEEL BUTT HINGE

Code No. S 278

APPLICATION

- Suitable for aluminium and timber doors with aluminium, steel and timber frames.

SPECIFICATION

- **Material:** Stainless Steel **304** Grade.
- **Pin Dia:** 6.9mm - Stainless Steel **304** Grade.
- **Knuckle:** Round.
- **Endcaps:** Pressed-in interference fit. Stainless Steel **304** Grade.
- Stamped with McCallum crest.
- Four washers.

INSTALLATION GUIDE ONLY

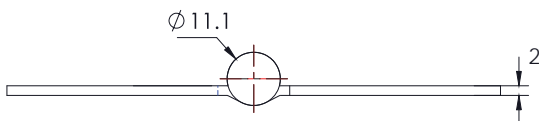
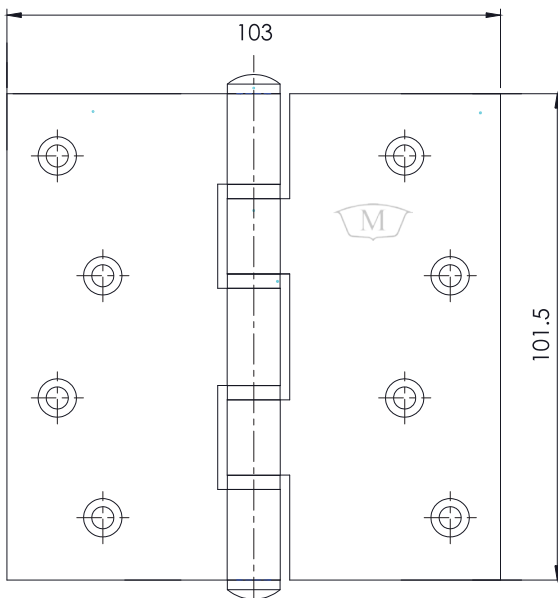
- **Door thickness: Minimum 32mm.**
- When using a door closer, we recommend a minimum of 4 hinges be used, with the top hinge located as high as possible.
- Standard Door: 2040 (H) x 820 (W) - 3 hinges.

FINISH

- 32mm x 10g stainless steel fasteners for timber (supplied).
- Pop rivets are not recommended.
- Not recommended for Bi-Fold door systems.

FINISH

- Satin finish.

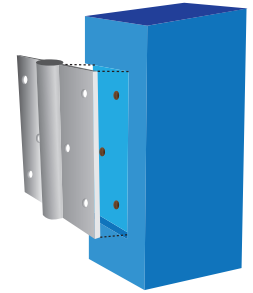


Code No. S 278

RECESS MOUNTED HINGE INFORMATION

Standard Application:

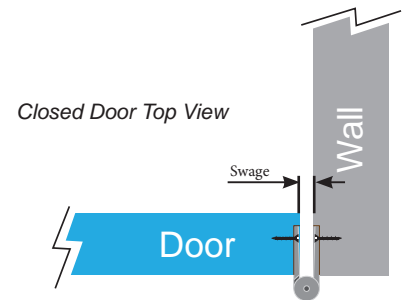
- The top hinge is 127mm down from the frame rebate to top of the hinge.
- Bottom hinge 254mm from bottom edge of barrel to finished floor.
- The third hinge is centered between the top and bottom hinges (if more than three hinges used, distance is equal for all between the top and bottom hinges.).
- See Example Door A.
- The hinge is to be recessed into the frame door to a depth equal to the thickness of the hinge leaf. This should also be done to the edge of the door to be swung.
- There will be a gap between the frame and the door edge equal to the distance between the two hinges when in the closed position (known as the 'Swage'). See Closed Door Top View diagram.
- Space out and mark all holes for pre-drilling before attaching the hinges.



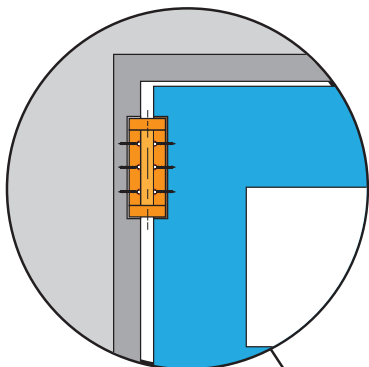
Recess, Pre-drill and Mount

With Door Closer:

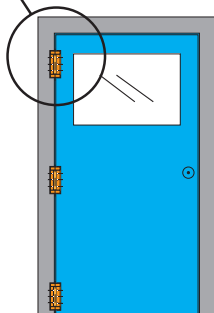
- If you are using a door closer, you will need to add an extra hinge on top of the advised chart.
- The spacing between the top two hinges should be the same as the length of the hinge.
- The first hinge should be as close (high) as possible to the door closer. The second should then be spaced equal to the hinge size (length) down the door. All subsequent hinges should be evenly spaced thereafter. See Example Door B.



Closed Door Top View

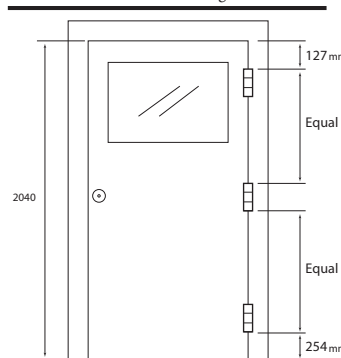


Mounted View



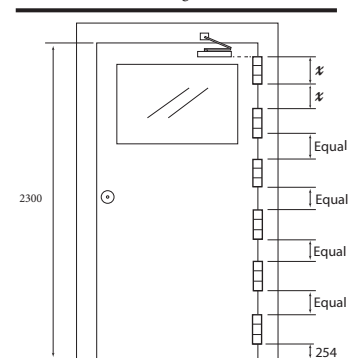
EXAMPLE A

2040 x 820mm, 3 Hinged door



EXAMPLE B

2300 x 820mm, 6 Hinged Door with Closer



Number of Hinges Required per Door Size	
	820 mm (W)
2100 mm (H)	3
2300 mm (H)	4
*All information is regarded as generic unless specified in writing by us. Contact us for custom sizes and further information.	

STAINLESS STEEL BUTT HINGE

Code No. S 279

APPLICATION

- Suitable for aluminium and timber doors with aluminium, steel and timber frames.

SPECIFICATION

- **Material:** Stainless Steel **304** Grade.
- **Pin Dia:** 6.9mm - Stainless Steel **304** Grade.
- **Knuckle:** Round.
- **Endcaps:** Pressed-in interference fit. Stainless Steel **304** Grade.
- Stamped with McCallum crest.
- Four washers.

INSTALLATION GUIDE ONLY

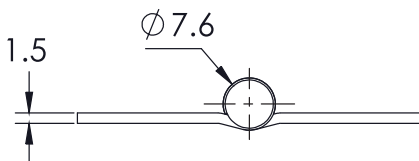
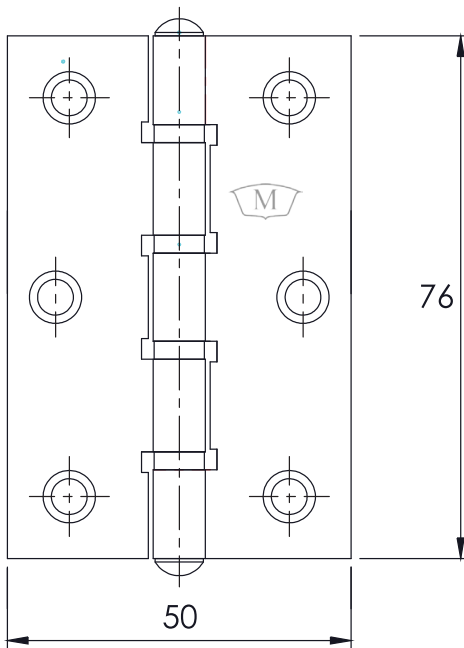
- **Door thickness: Minimum 32mm.**
- When using a door closer, we recommend a minimum of 4 hinges be used, with the top hinge located as high as possible.
- Standard Door: 2040 (H) x 820 (W) - 3 hinges.

FINISH

- 32mm x 10g stainless steel fasteners for timber (supplied).
- Pop rivets are not recommended.
- Not recommended for Bi-Fold door systems.

FINISH

- Satin finish.

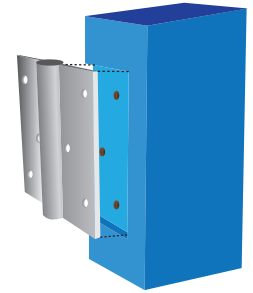


Code No. S 279

RECESS MOUNTED HINGE INFORMATION

Standard Application:

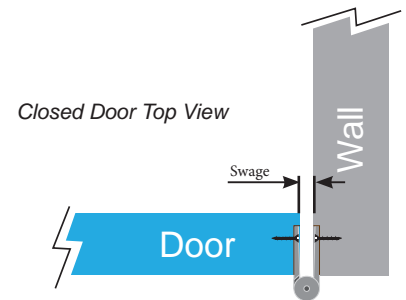
- The top hinge is 127mm down from the frame rebate to top of the hinge.
- Bottom hinge 254mm from bottom edge of barrel to finished floor.
- The third hinge is centered between the top and bottom hinges (if more than three hinges used, distance is equal for all between the top and bottom hinges.).
- See Example Door A.
- The hinge is to be recessed into the frame door to a depth equal to the thickness of the hinge leaf. This should also be done to the edge of the door to be swung.
- There will be a gap between the frame and the door edge equal to the distance between the two hinges when in the closed position (known as the 'Swage'). See Closed Door Top View diagram.
- Space out and mark all holes for pre-drilling before attaching the hinges.



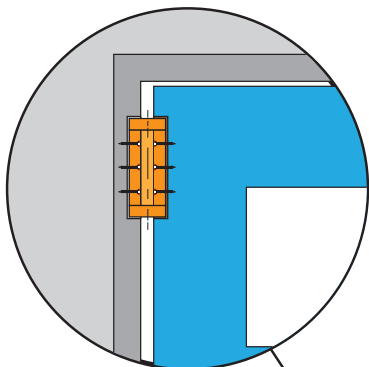
Recess, Pre-drill and Mount

With Door Closer:

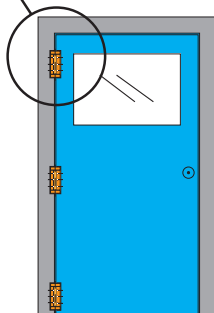
- If you are using a door closer, you will need to add an extra hinge on top of the advised chart.
- The spacing between the top two hinges should be the same as the length of the hinge.
- The first hinge should be as close (high) as possible to the door closer. The second should then be spaced equal to the hinge size (length) down the door. All subsequent hinges should be evenly spaced thereafter. See Example Door B.



Closed Door Top View

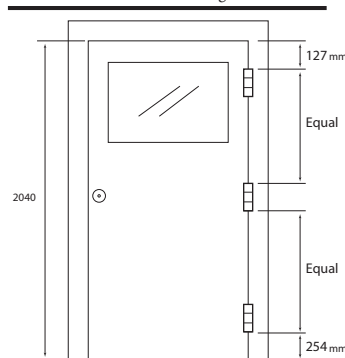


Mounted View



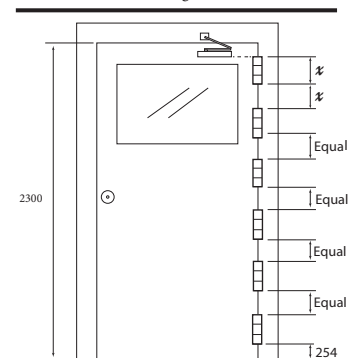
EXAMPLE A

2040 x 820mm, 3 Hinged door



EXAMPLE B

2300 x 820mm, 6 Hinged Door with Closer



1 extra hinge due to the door closer.

Number of Hinges Required per Door Size	
	820 mm (W)
2100 mm (H)	3
2300 mm (H)	4
*All information is regarded as generic unless specified in writing by us. Contact us for custom sizes and further information.	





Quality Hinges Since 1939

Photo: hcreations photography

August 2016