

**DAB**

WATER TECHNOLOGY

**Attention: check the correspondence with the revision of your product**

Model - Revision @ Code\_Document version

JET 62 M - N.2.- - @ 102660000\_a,b

Society  
Reference  
Phone  
Fax  
E-mail

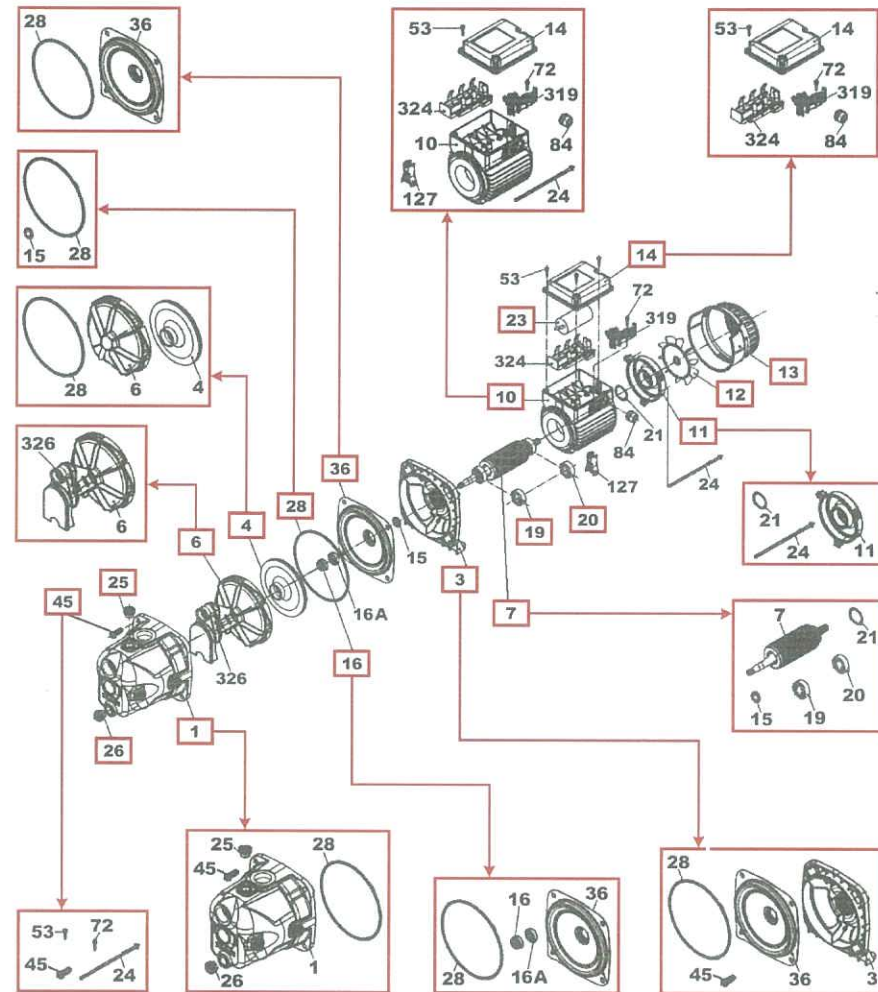
Receiver

From

Page: 1

Item	Q.ty	Item no.	Description	Unit pr.
1	1	R00004000	PUMP BODY	
3	1	R00004003	SUPPORT	
4	1	R00004010	IMPELLER	
6	1	R00004013	(SP) DIFF/VENTURI/EJECTOR/NOZZLE	
7	1	R00005184	(SP) MOTOR SHAFT	
10	1	R00005173	MOTOR	
11	1	R00004011	MOTOR COVER	
12	1	R00010746	FAN	
13	1	R00010745	FAN GUARD	
14	1	R00010762	TERMINAL BOARD COVER	
16	1	R00009575	SEAL D.13	
19	1	R00010751	REAR BEARING 6202-2RSH	
20	1	R00010751	REAR BEARING 6202-2RSH	
23	1	R00008871	CAPACITOR 12.5UF	
25	1	R00004018	DISCHARGE PLUG	
26	1	R00004018	DISCHARGE PLUG	
28	1	R00008832	OR	
36	1	R00004016	MECHANICAL SEAL COVER	
45	1	R00005185	(SP) BOLTS AND FASTNERS	

**Filpumps**  
Filters-Pumps-Treatment Systems  
THANSTONE BUSINESS PARK, INVERURIE, ABERDEENSHIRE AB51 5GT  
Tel: 01467 623010 • www.filpumps.co.uk



Project

Project ID

Created by

Created on  
01/04/2015Last update  
01/04/2015



WATER TECHNOLOGY

Attention: check the correspondence with the revision of your product

Model - Revision @ Code\_Document version

JET 82 M - N.2.- - @ 102660020\_a,b

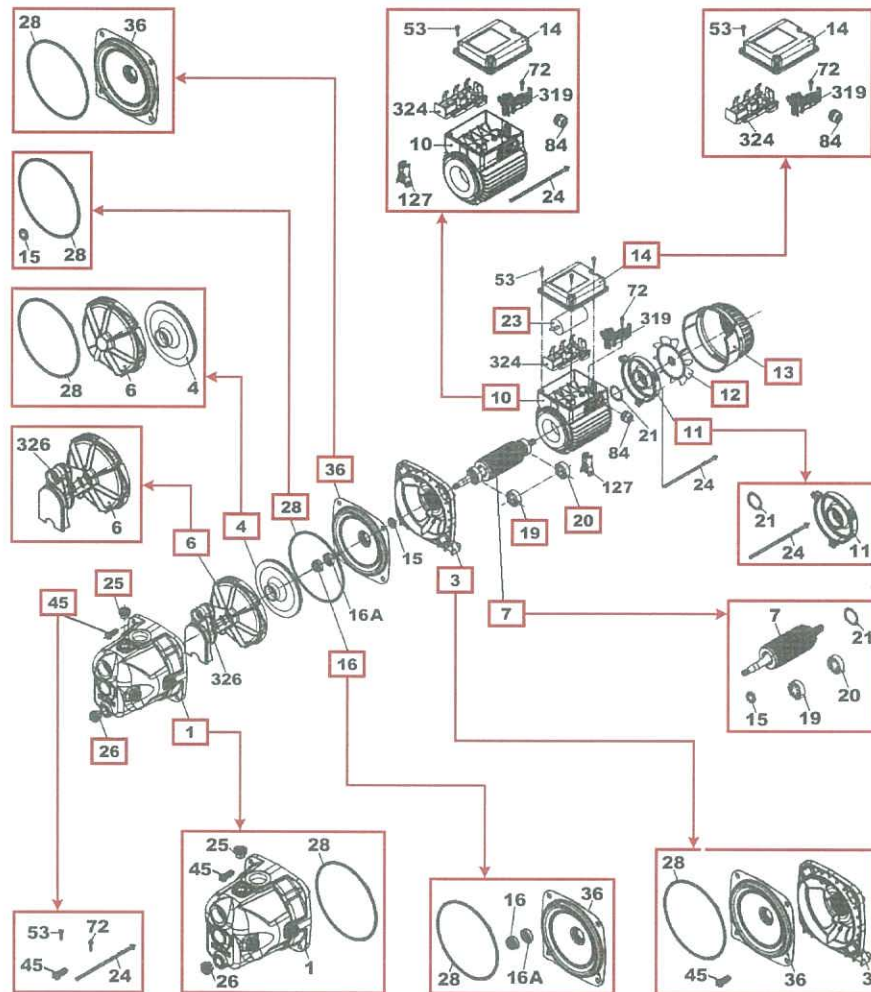
Society  
Reference  
Phone  
Fax  
E-mail

Receiver

From

Page: 1

Item	Q.ty	Item no.	Description	Unit pr.
1	1	R00004000	PUMP BODY	
3	1	R00004003	SUPPORT	
4	1	R00004010	IMPELLER	
6	1	R00010537	DIFFUSER ASSEMBLY	
7	1	R00005186	(SP) MOTOR SHAFT	
10	1	R00005131	MOTOR	
11	1	R00004011	MOTOR COVER	
12	1	R00010746	FAN	
13	1	R00010745	FAN GUARD	
14	1	R00010762	TERMINAL BOARD COVER	
16	1	R00009575	SEAL D.13	
19	1	R00010751	REAR BEARING 6202-2RSH	
20	1	R00010751	REAR BEARING 6202-2RSH	
23	1	R00008871	CAPACITOR12.5UF	
25	1	R00004018	DISCHARGE PLUG	
26	1	R00004018	DISCHARGE PLUG	
28	1	R00008832	OR	
36	1	R00004016	MECHANICAL SEAL COVER	
45	1	R00005185	(SP) BOLTS AND FASTNERS	







Attention: check the correspondence with the revision of your product

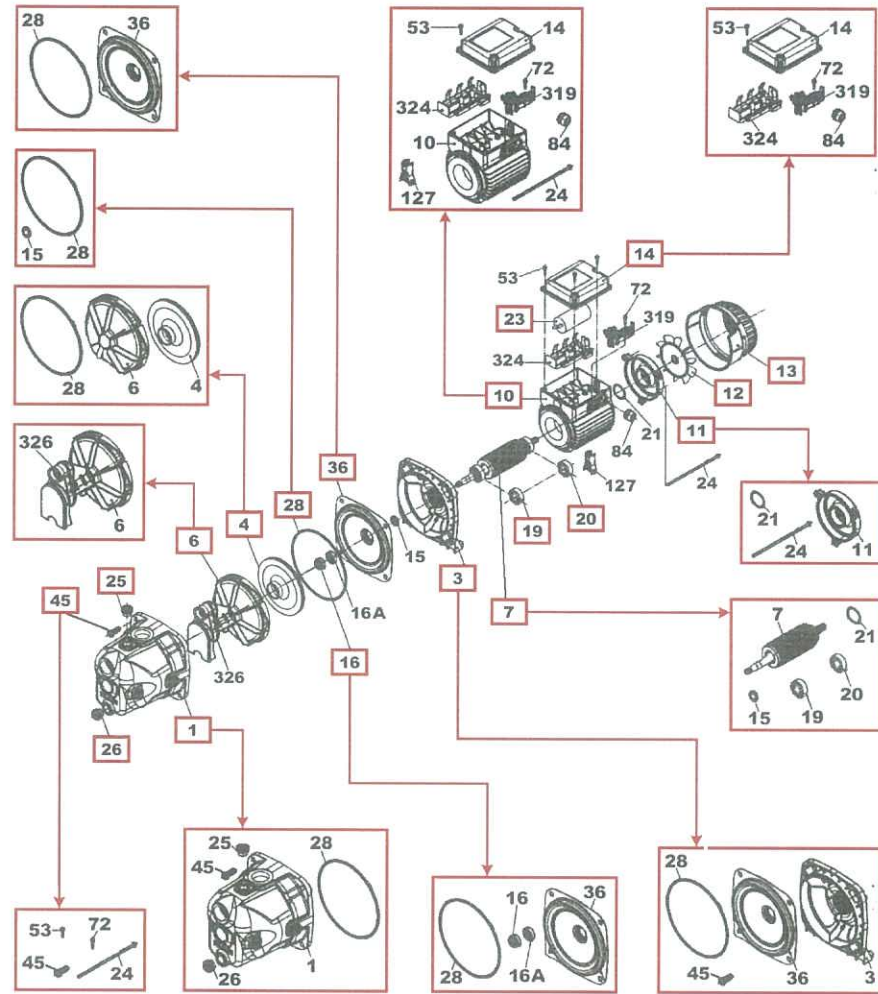
Model - Revision @ Code\_Document version

JET 112 M - N.3.- - @ 102660060\_a,b

Society  
Reference  
Phone  
Fax  
E-mail

Receiver From Page: 1

Item	Q.ty	Item no.	Description	Unit pr.
1	1	R00004000	PUMP BODY	
3	1	R00005187	SUPPORT	
4	1	R00010446	IMPELLER	
6	1	R00010537	DIFFUSER ASSEMBLY	
7	1	R00005192	(SP) MOTOR SHAFT	
10	1	R00005141	MOTOR	
11	1	R00005439	MOTOR COVER	
12	1	R00010351	FAN	
13	1	R00010519	FAN GUARD	
14	1	R00010762	TERMINAL BOARD COVER	
16	1	R00009575	SEAL D.13	
19	1	R00010356	RIC. CUSCINETTO 6302-2RSH	
20	1	R00010751	REAR BEARING 6202-2RSH	
23	1	R00010362	CAPACITOR 25UF	
25	1	R00004018	DISCHARGE PLUG	
26	1	R00004018	DISCHARGE PLUG	
28	1	R00008832	OR	
36	1	R00004016	MECHANICAL SEAL COVER	
45	1	R00005193	(SP) BOLTS AND FASTNERS	



Project	Project ID	Created by	Created on 01/04/2015	Last update 01/04/2015
---------	------------	------------	--------------------------	---------------------------



WATER • TECHNOLOGY

Attention: check the correspondence with the revision of your product

Model - Revision @ Code\_Document version

JET 102 M - N.3.- - @ 102660040\_a,b

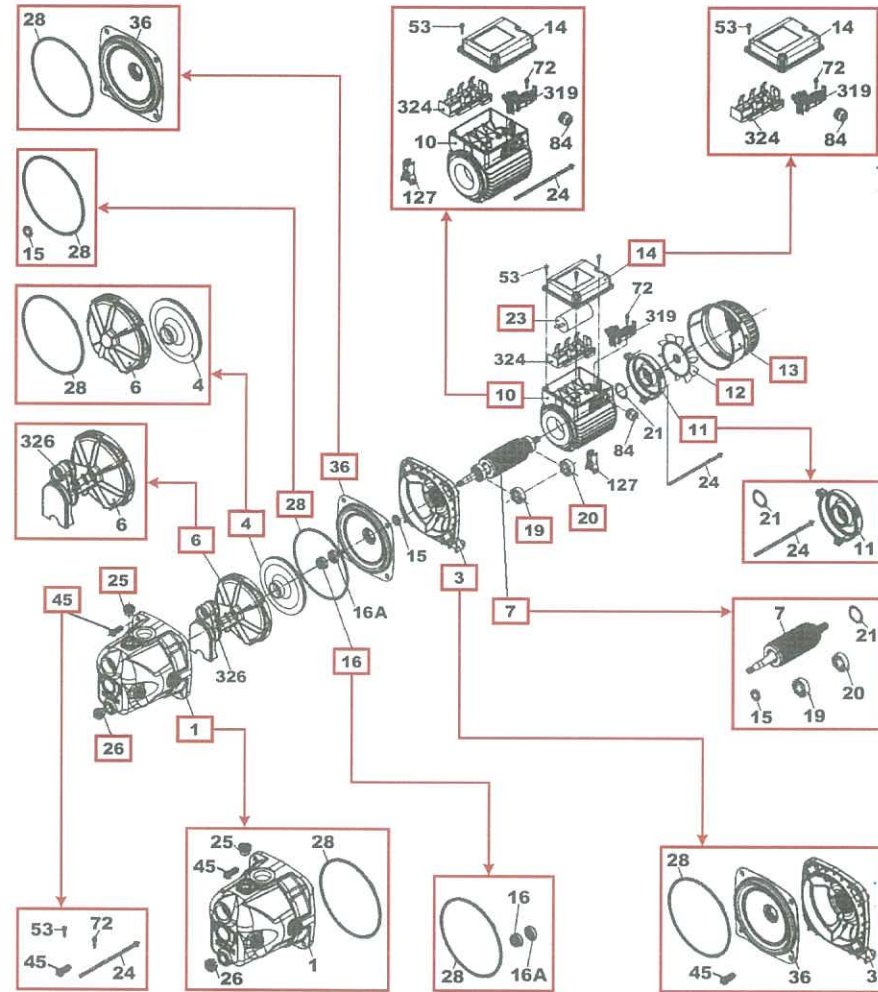
Society  
Reference  
Phone  
Fax  
E-mail

Receiver

From

Page: 1

Item	Q.ty	Item no.	Description	Unit pr.
1	1	R00004000	PUMP BODY	
3	1	R00005187	SUPPORT	
4	1	R00010427	IMPELLER	
6	1	R00010537	DIFFUSER ASSEMBLY	
7	1	R00005188	(SP) MOTOR SHAFT	
10	1	R00005116	MOTOR	
11	1	R00005439	MOTOR COVER	
12	1	R00010351	FAN	
13	1	R00010519	FAN GUARD	
14	1	R00010762	TERMINAL BOARD COVER	
16	1	R00010429	SEAL D.13	
19	1	R00010356	RIC. CUSCINETTO 6302-2RSH	
20	1	R00010751	REAR BEARING 6202-2RSH	
23	1	R00010360	CAPACITOR 16UF	
25	1	R00004018	DISCHARGE PLUG	
26	1	R00004018	DISCHARGE PLUG	
28	1	R00008832	OR	
36	1	R00004016	MECHANICAL SEAL COVER	
45	1	R00005193	(SP) BOLTS AND FASTNERS	





WATER TECHNOLOGY

Attention: check the correspondence with the revision of your product

Model - Revision @ Code\_Document version

JET 132 M - N.3.- - @ 102660100\_a,b

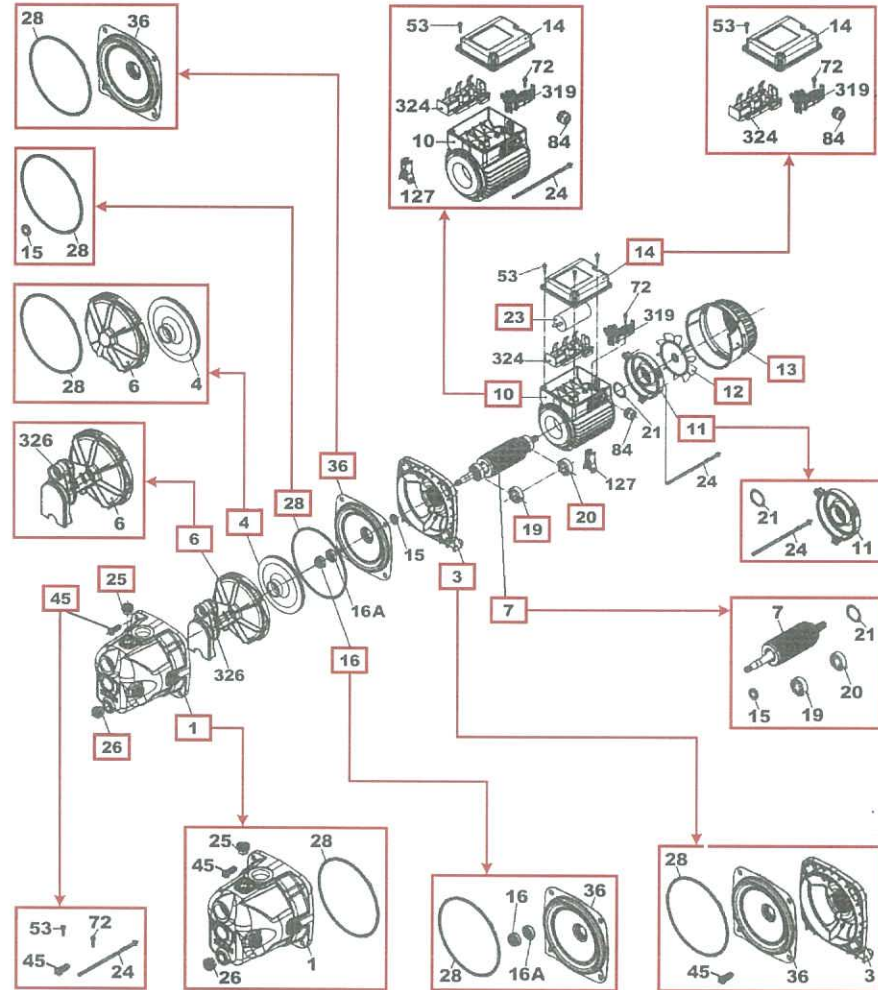
Society  
Reference  
Phone  
Fax  
E-mail

Receiver

From

Page: 1

Item	Q.ty	Item no.	Description	Unit pr.
1	1	R00004000	PUMP BODY	
3	1	R00005187	SUPPORT	
4	1	R00010446	IMPELLER	
6	1	R00005164	DIFFUSER ASSEMBLY	
7	1	R00005192	(SP) MOTOR SHAFT	
10	1	R00005141	MOTOR	
11	1	R00005439	MOTOR COVER	
12	1	R00010351	FAN	
13	1	R00010519	FAN GUARD	
14	1	R00010762	TERMINAL BOARD COVER	
16	1	R00009575	SEAL D.13	
19	1	R00010356	RIC. CUSCINETTO 6302-2RSH	
20	1	R00010751	REAR BEARING 6202-2RSH	
23	1	R00010362	CAPACITOR 25UF	
25	1	R00004018	DISCHARGE PLUG	
26	1	R00004018	DISCHARGE PLUG	
28	1	R00008832	OR	
36	1	R00004016	MECHANICAL SEAL COVER	
45	1	R00005193	(SP) BOLTS AND FASTNERS	



Project

Project ID

Created by

Created on  
01/04/2015

Last update  
01/04/2015



Attention: check the correspondence with the revision of your product

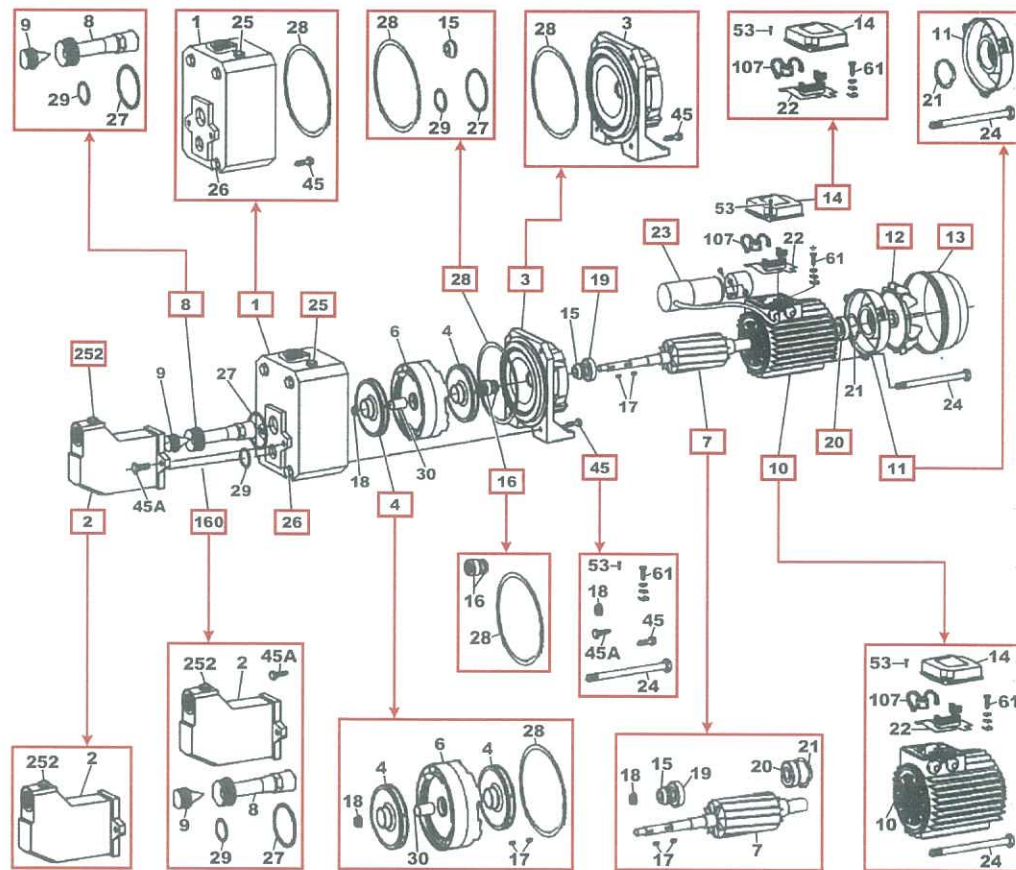
Model - Revision @ Code\_Document version

JET 151 M - N.3.- - @ 102160062\_a,b

Society  
Reference  
Phone  
Fax  
E-mail

Receiver From Page: 1

Item	Q.ty	Item no.	Description	Unit pr.
1	1	R00005274	PUMP BODY	
2	1	R00005249	EJECTOR BODY	
3	1	R00005240	SUPPORT	
4	1	R00005245	COMPLETE STAGE	
7	1	R00005241	MOTOR SHAFT	
8	1	R00005248	NOZZLE VENTURI	
10	1	R00005246	MOTOR	
11	1	R00005208	MOTOR COVER	
12	1	R00010395	FAN	
13	1	R00004703	FAN GUARD	
14	1	R00005211	TERMINAL BOARD	
16	1	R00007849	SEAL D.15	
19	1	R00010381	BEARING 6204-2RSH	
20	1	R00010381	BEARING 6204-2RSH	
23	1	R00005206	CAPACITOR 31.5UF	
25	1	R00005653	VENT PLUG	
26	1	R00005653	VENT PLUG	
28	1	R00005242	OR	
45	1	R00005243	(SP) BOLTS AND FASTNERS	
160	1	R00009981	COMPLETE EJECTOR	
252	1	R00005653	VENT PLUG	





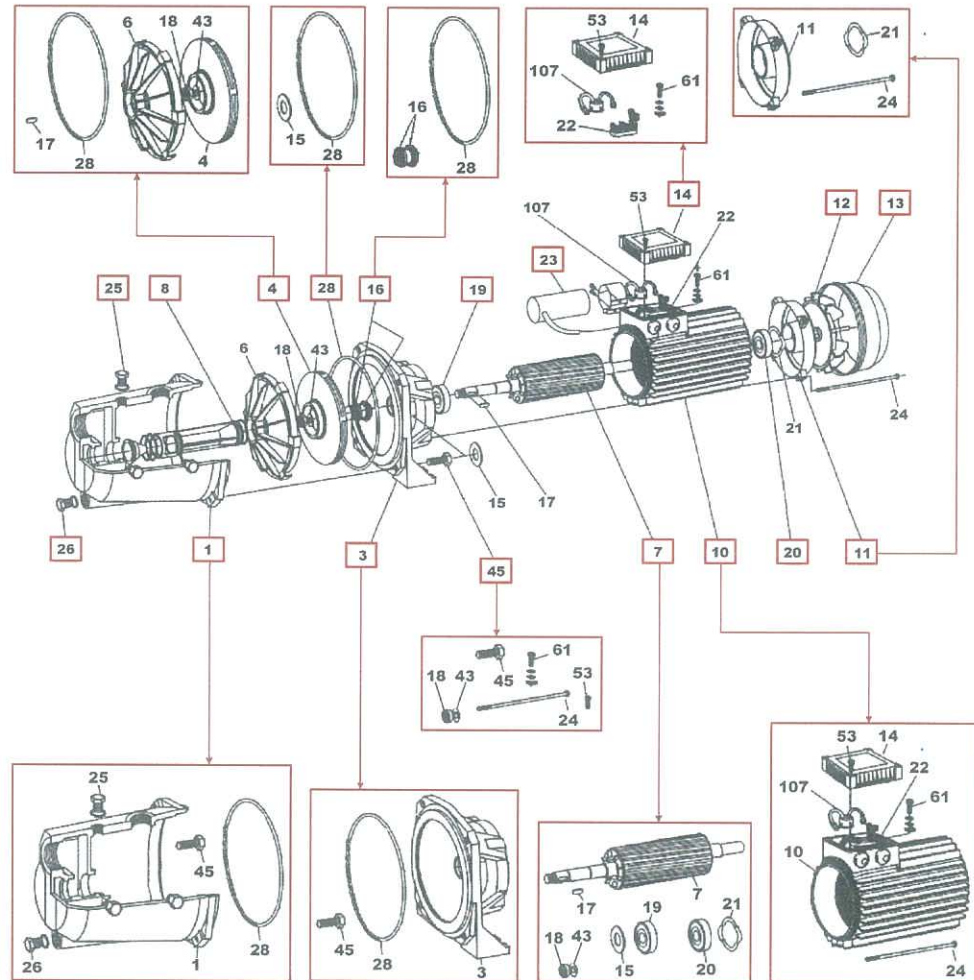
Attention: check the correspondence with the revision of your product

Model - Revision @ Code\_Document version

JET 200 M - N.1.- - @ 102160142\_a,b

Society  
Reference  
Phone  
Fax  
E-mail

Item	Q.ty	Item no.	Description	Unit pr.
1	1	R00005221	PUMP BODY	
3	1	R00005200	SUPPORT	
4	1	R00005207	IMPELLER	
7	1	R00005257	MOTOR SHAFT	
8	1	R00005212	NOZZLE VENTURI	
10	1	R00005209	MOTOR	
11	1	R00005208	MOTOR COVER	
12	1	R00010395	FAN	
13	1	R00004703	FAN GUARD	
14	1	R00005211	TERMINAL BOARD	
16	1	R00005210	SEAL D.17	
19	1	R00010380	RIC. CUSCINETTO 6304-2RSH	
20	1	R00010381	BEARING 6204-2RSH	
23	1	R00005206	CAPACITOR 31.5UF	
25	1	R00005653	VENT PLUG	
26	1	R00005653	VENT PLUG	
28	1	R00005202	OR	
45	1	R00005203	(SP) BOLTS AND FASTNERS	







Attention: check the correspondence with the revision of your product

Model - Revision @ Code\_Document version

JET 251 M - N.1.- - @ 102160092\_a,b

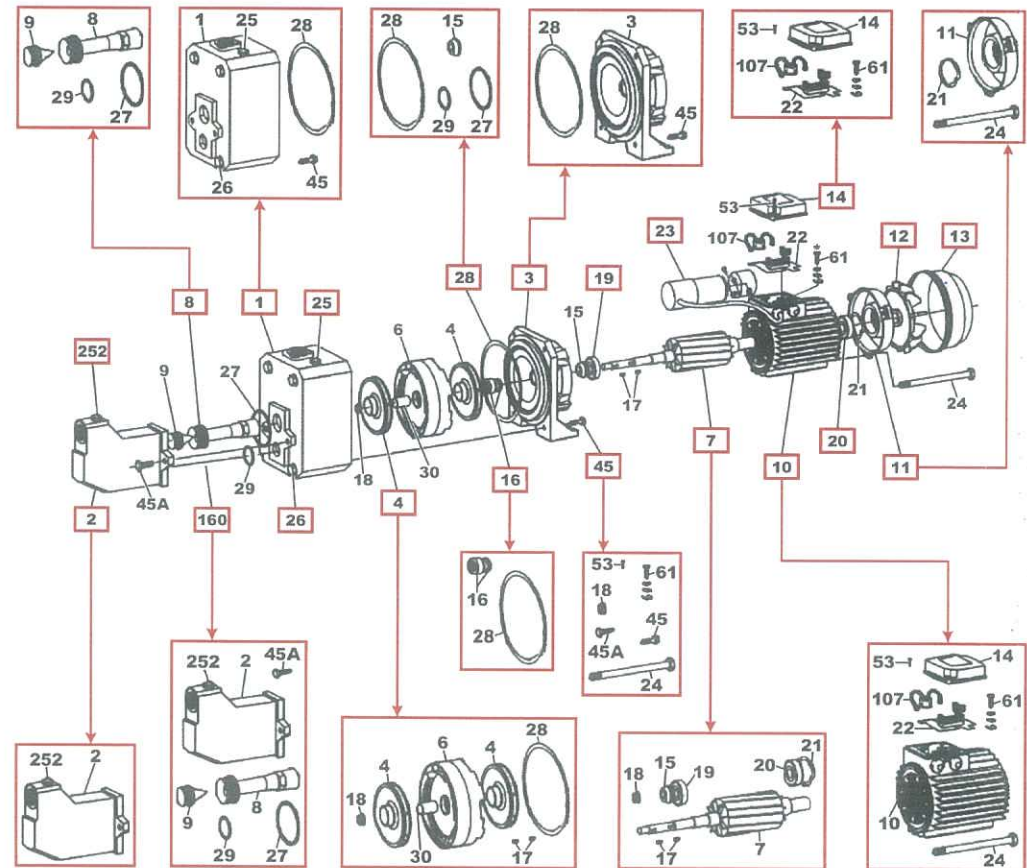
Society  
Reference  
Phone  
Fax  
E-mail

Receiver

From

Page: 1

Item	Q.ty	Item no.	Description	Unit pr.
1	1	R00005274	PUMP BODY	
2	1	R00005249	EJECTOR BODY	
3	1	R00005240	SUPPORT	
4	1	R00005254	COMPLETE STAGE	
7	1	R00005251	MOTOR SHAFT	
8	1	R00005256	NOZZLE VENTURI	
10	1	R00005255	MOTOR	
11	1	R00005232	MOTOR COVER	
12	1	R00010395	FAN	
13	1	R00004703	FAN GUARD	
14	1	R00005234	TERMINAL BOARD	
16	1	R00007849	SEAL D.15	
19	1	R00010381	BEARING 6204-2RSH	
20	1	R00010381	BEARING 6204-2RSH	
23	1	R00005230	CAPACITOR 40UF	
25	1	R00005653	VENT PLUG	
26	1	R00005653	VENT PLUG	
28	1	R00005252	OR	
45	1	R00005253	(SP) BOLTS AND FASTNERS	
160	1	R00009983	COMPLETE EJECTOR	
252	1	R00005653	VENT PLUG	



Project

Project ID

Created by

Created on  
01/04/2015

Last update  
01/04/2015



Attention: check the correspondence with the revision of your product

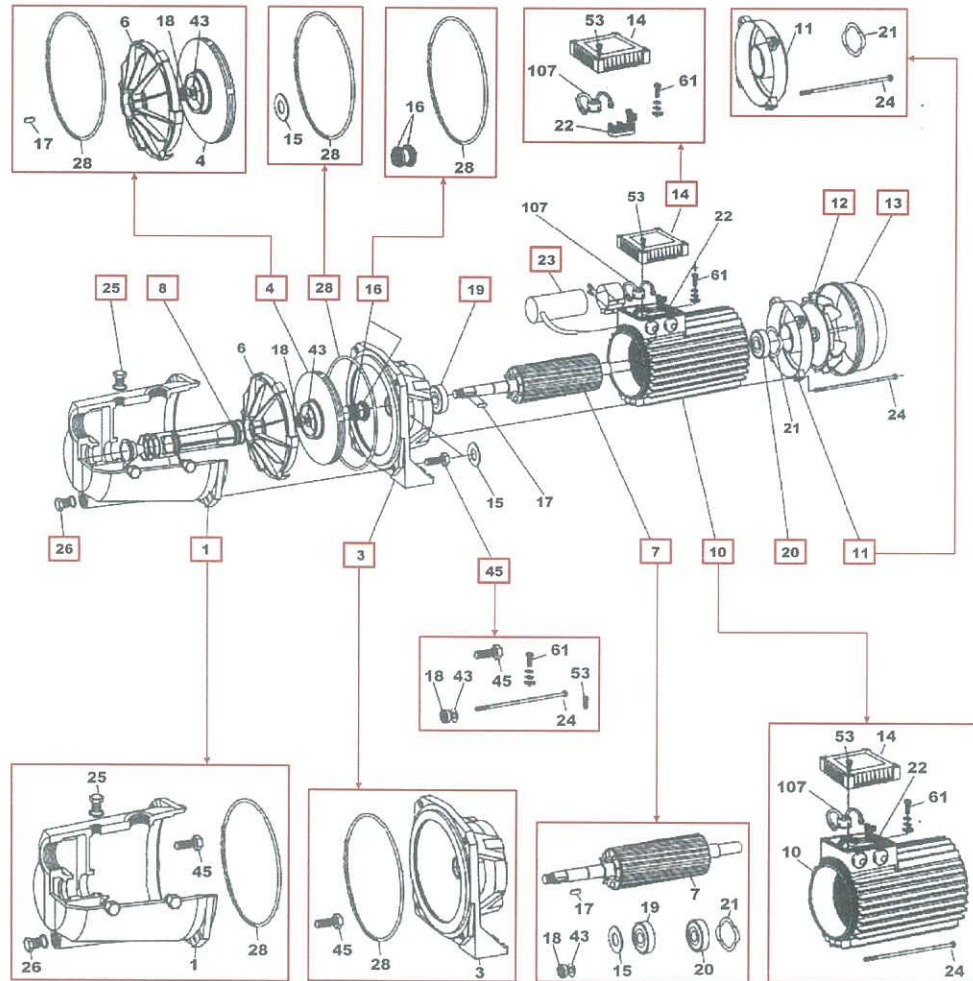
Model - Revision @ Code\_Document version

JET 300 M - N.1.- - @ 102160162\_a,b

Society  
Reference  
Phone  
Fax  
E-mail

Receiver From Page: 1

Item	Q.ty	Item no.	Description	Unit pr.
1	1	R00005221	PUMP BODY	
3	1	R00005200	SUPPORT	
4	1	R00005231	IMPELLER	
7	1	R00005271	MOTOR SHAFT	
8	1	R00005212	NOZZLE VENTURI	
10	1	R00005233	MOTOR	
11	1	R00005232	MOTOR COVER	
12	1	R00010395	FAN	
13	1	R00004703	FAN GUARD	
14	1	R00005234	TERMINAL BOARD	
16	1	R00005210	SEAL D.17	
19	1	R00010380	RIC. CUSCINETTO 6304-2RSH	
20	1	R00010381	BEARING 6204-2RSH	
23	1	R00005230	CAPACITOR 40UF	
25	1	R00005653	VENT PLUG	
26	1	R00005653	VENT PLUG	
28	1	R00005228	OR	
45	1	R00005229	(SP) BOLTS AND FASTNERS	



Project	Project ID	Created by	Created on 01/04/2015	Last update 01/04/2015
---------	------------	------------	--------------------------	---------------------------



WATER TECHNOLOGY

Attention: check the correspondence with the revision of your product

Model - Revision @ Code\_Document version

JETINOX 82 M - N.2.- - @ 102640020\_a,b

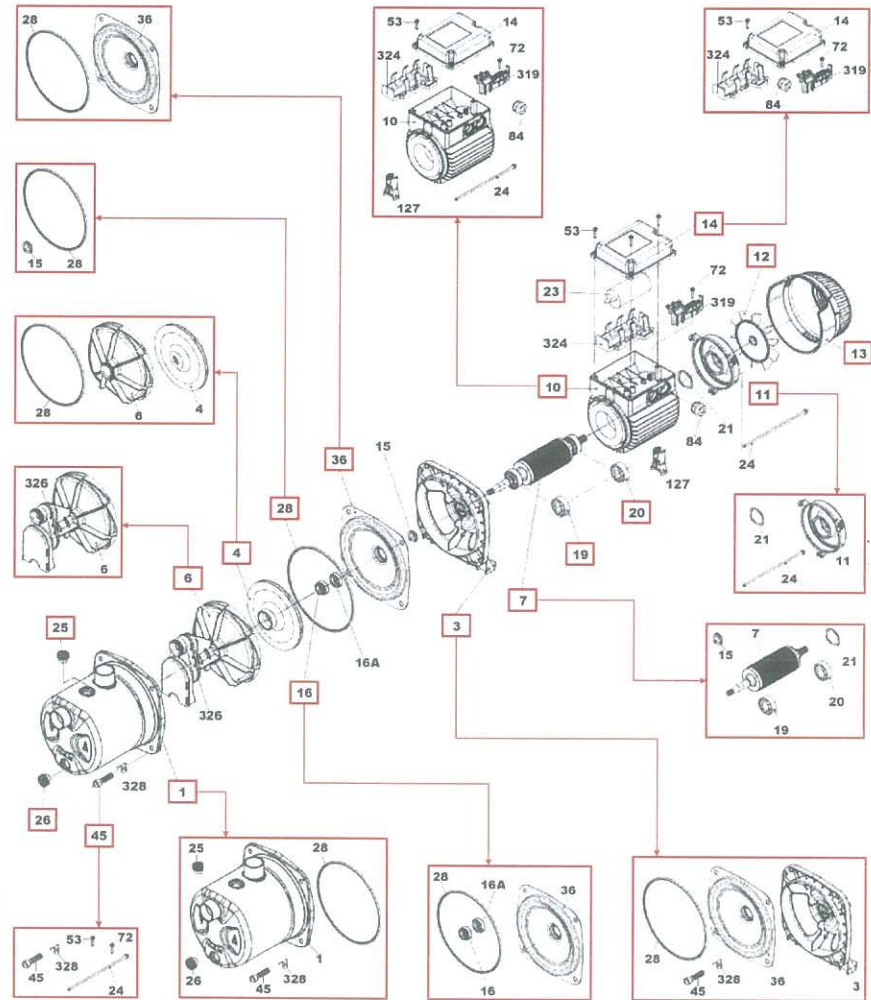
Society  
Reference  
Phone  
Fax  
E-mail

Receiver

From

Page: 1

Item	Q.ty	Item no.	Description	Unit pr.
1	1	R00005144	PUMP BODY	
3	1	R00005145	SUPPORT	
4	1	R00004010	IMPELLER	
6	1	R00010537	DIFFUSER ASSEMBLY	
7	1	R00005146	(SP) MOTOR SHAFT	
10	1	R00005131	MOTOR	
11	1	R00004011	MOTOR COVER	
12	1	R00010746	FAN	
13	1	R00010745	FAN GUARD	
14	1	R00010762	TERMINAL BOARD COVER	
16	1	R00009575	SEAL D.13	
19	1	R00010751	REAR BEARING 6202-2RSH	
20	1	R00010751	REAR BEARING 6202-2RSH	
23	1	R00008871	CAPACITOR12.5UF	
25	1	R00004018	DISCHARGE PLUG	
26	1	R00004018	DISCHARGE PLUG	
28	1	R00008832	OR	
36	1	R00004016	MECHANICAL SEAL COVER	
45	1	R00005147	(SP) BOLTS AND FASTNERS	



Project	Project ID	Created by	Created on 01/04/2015	Last update 01/04/2015
---------	------------	------------	--------------------------	---------------------------



WATER • TECHNOLOGY

Attention: check the correspondence with the revision of your product

Model - Revision @ Code\_Document version

JETINOX 92 M - N.2.- - @ 102640080\_a,b

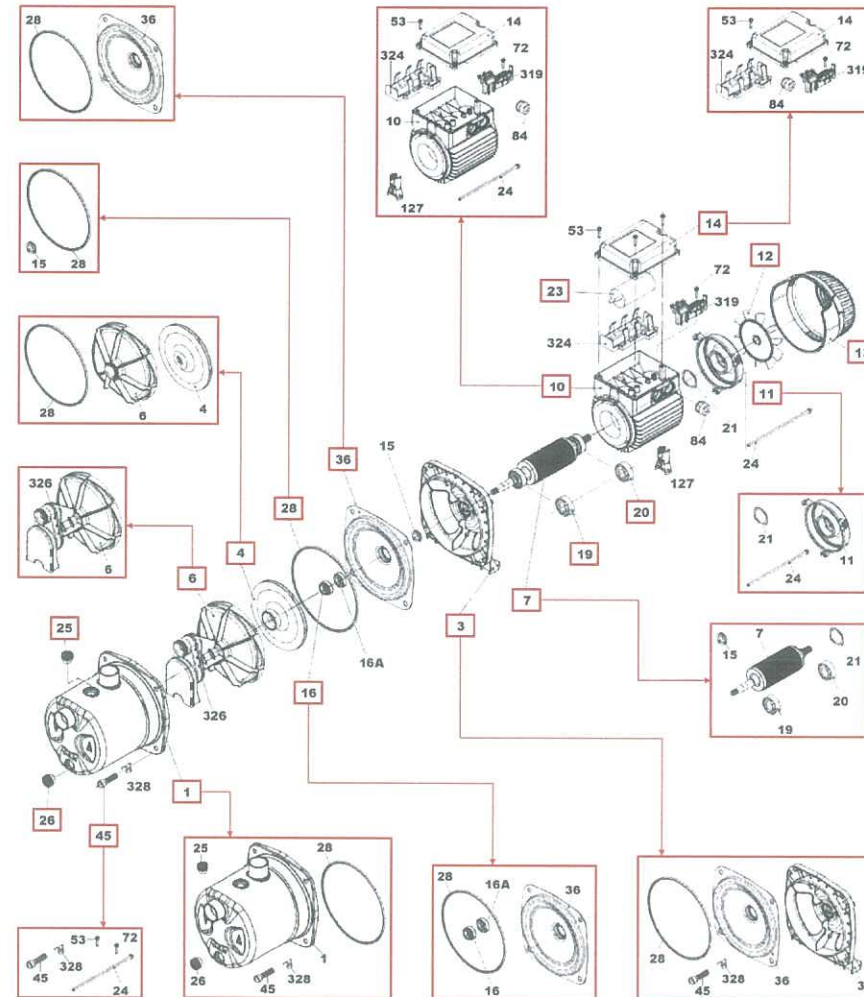
Society  
Reference  
Phone  
Fax  
E-mail

Receiver

From

Page: 1

Item	Q.ty	Item no.	Description	Unit pr.
1	1	R00005144	PUMP BODY	
3	1	R00005145	SUPPORT	
4	1	R00004010	IMPELLER	
6	1	R00005164	DIFFUSER ASSEMBLY	
7	1	R00005161	(SP) MOTOR SHAFT	
10	1	R00005163	MOTOR	
11	1	R00004011	MOTOR COVER	
12	1	R00010746	FAN	
13	1	R00010745	FAN GUARD	
14	1	R00010762	TERMINAL BOARD COVER	
16	1	R00009575	SEAL D.13	
19	1	R00010751	REAR BEARING 6202-2RSH	
20	1	R00010751	REAR BEARING 6202-2RSH	
23	1	R00010213	CAPACITOR 14UF	
25	1	R00004018	DISCHARGE PLUG	
26	1	R00004018	DISCHARGE PLUG	
28	1	R00008832	OR	
36	1	R00004016	MECHANICAL SEAL COVER	
45	1	R00005147	(SP) BOLTS AND FASTNERS	





Attention: check the correspondence with the revision of your product

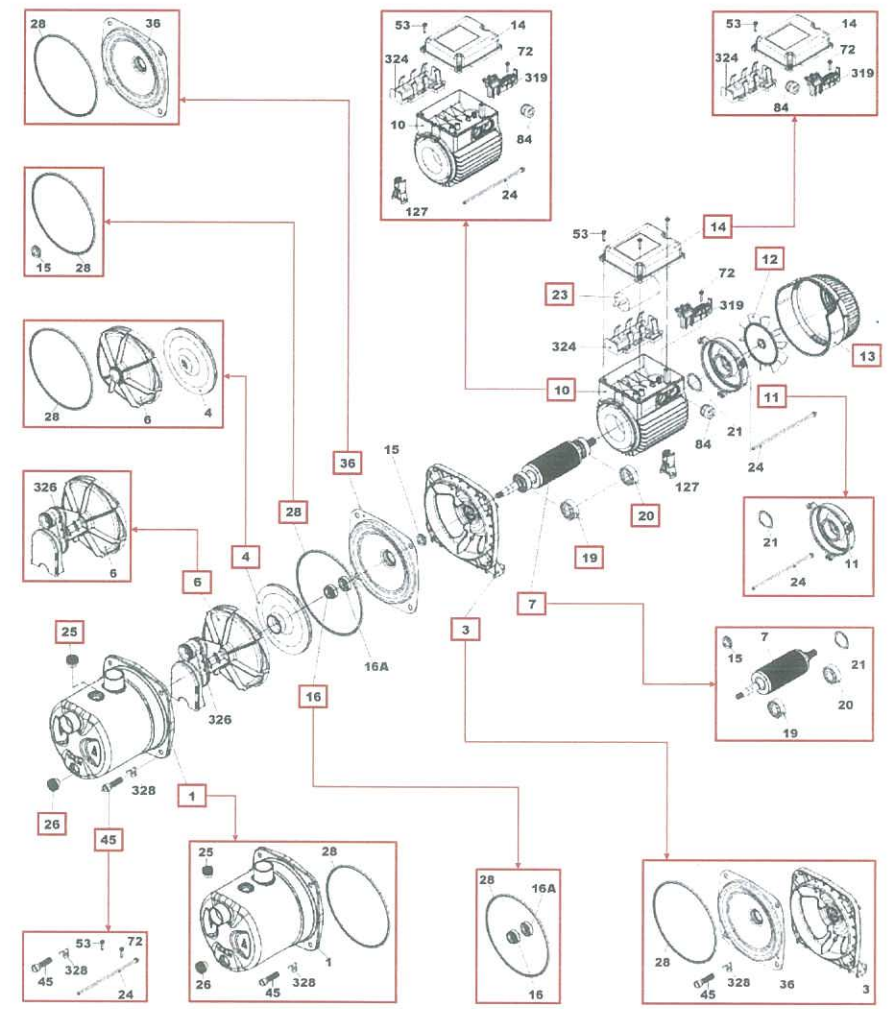
Model - Revision @ Code\_Document version

JETINOX 102 M - N.3.- - @ 102640040\_a,b

Society  
Reference  
Phone  
Fax  
E-mail

Receiver From Page: 1

Item	Q.ty	Item no.	Description	Unit pr.
1	1	R00005144	PUMP BODY	
3	1	R00005150	SUPPORT	
4	1	R00010427	IMPELLER	
6	1	R00010537	DIFFUSER ASSEMBLY	
7	1	R00010071	(SP) MOTOR SHAFT	
10	1	R00005116	MOTOR	
11	1	R00005439	MOTOR COVER	
12	1	R00010351	FAN	
13	1	R00010519	FAN GUARD	
14	1	R00010762	TERMINAL BOARD COVER	
16	1	R00010429	SEAL D.13	
19	1	R00010356	RIC. CUSCINETTO 6302-2RSH	
20	1	R00010751	REAR BEARING 6202-2RSH	
23	1	R00010360	CAPACITOR 16UF	
25	1	R00004018	DISCHARGE PLUG	
26	1	R00004018	DISCHARGE PLUG	
28	1	R00008832	OR	
36	1	R00004016	MECHANICAL SEAL COVER	
45	1	R00005152	(SP) BOLTS AND FASTNERS	





Attention: check the correspondence with the revision of your product

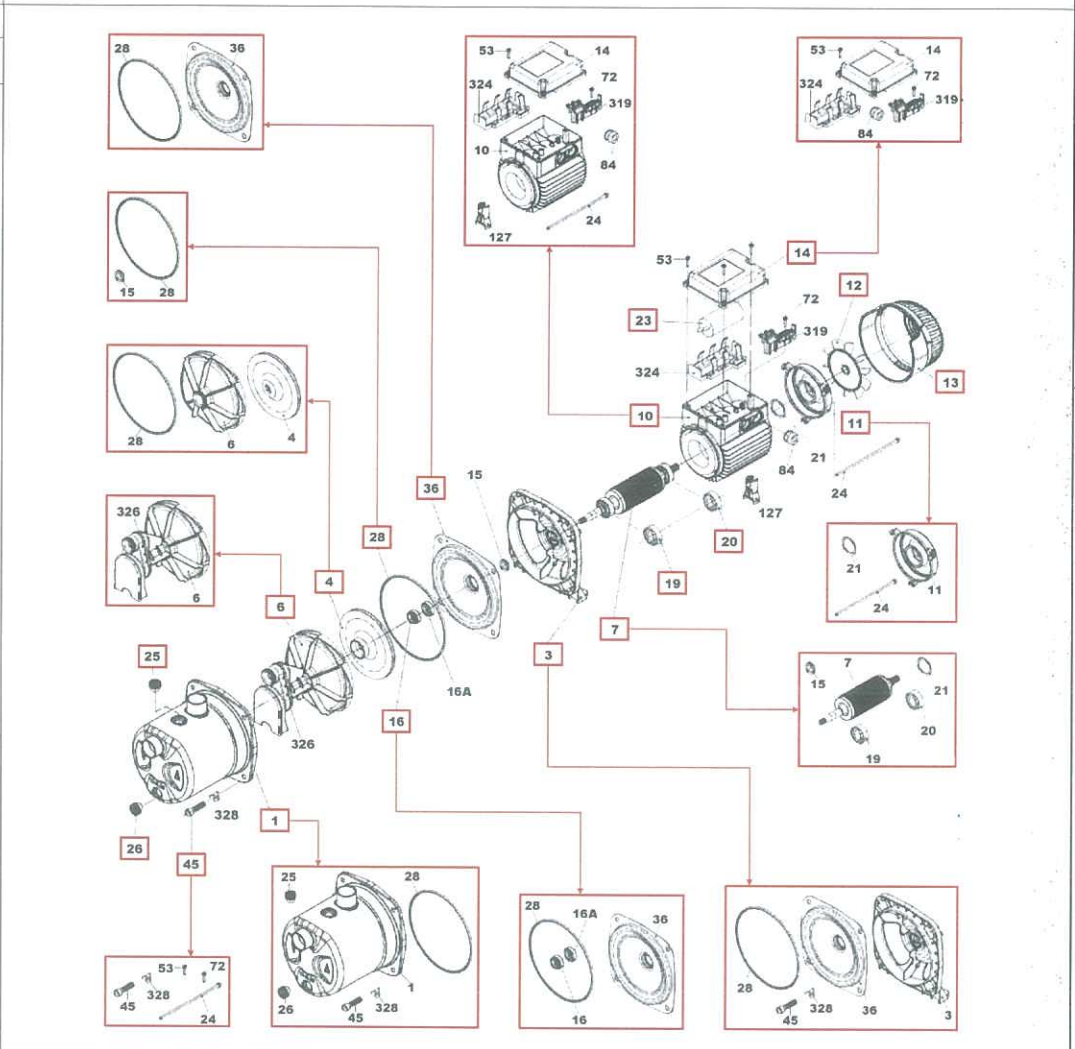
Model - Revision @ Code\_Document version

JETINOX 112 M - N.3.- - @ 102640060\_a,b

Society  
Reference  
Phone  
Fax  
E-mail

Receiver From Page: 1

Item	Q.ty	Item no.	Description	Unit pr.
1	1	R00005144	PUMP BODY	
3	1	R00005150	SUPPORT	
4	1	R00010446	IMPELLER	
6	1	R00010537	DIFFUSER ASSEMBLY	
7	1	R00005157	(SP) MOTOR SHAFT	
10	1	R00005141	MOTOR	
11	1	R00005439	MOTOR COVER	
12	1	R00010351	FAN	
13	1	R00010519	FAN GUARD	
14	1	R00010762	TERMINAL BOARD COVER	
16	1	R00009575	SEAL D.13	
19	1	R00010356	RIC. CUSCINETTO 6302-2RSH	
20	1	R00010751	REAR BEARING 6202-2RSH	
23	1	R00010362	CAPACITOR 25UF	
25	1	R00004018	DISCHARGE PLUG	
26	1	R00004018	DISCHARGE PLUG	
28	1	R00008832	OR	
36	1	R00004016	MECHANICAL SEAL COVER	
45	1	R00005152	(SP) BOLTS AND FASTNERS	



Project	Project ID	Created by	Created on 01/04/2015	Last update 01/04/2015
---------	------------	------------	--------------------------	---------------------------



WATER • TECHNOLOGY

Attention: check the correspondence with the revision of your product

Model - Revision @ Code\_Document version

JETINOX 132 M - N.3.- - @ 102640100\_a,b

Society Reference  
Phone  
Fax  
E-mail

Receiver From Page: 1

Item	Q.ty	Item no.	Description	Unit pr.
1	1	R00005144	PUMP BODY	
3	1	R00005150	SUPPORT	
4	1	R00010446	IMPELLER	
6	1	R00005164	DIFFUSER ASSEMBLY	
7	1	R00005157	(SP) MOTOR SHAFT	
10	1	R00005141	MOTOR	
11	1	R00005439	MOTOR COVER	
12	1	R00010351	FAN	
13	1	R00010519	FAN GUARD	
14	1	R00010762	TERMINAL BOARD COVER	
16	1	R00009575	SEAL D.13	
19	1	R00010356	RIC. CUSCINETTO 6302-2RSH	
20	1	R00010751	REAR BEARING 6202-2RSH	
23	1	R00010362	CAPACITOR 25UF	
25	1	R00004018	DISCHARGE PLUG	
26	1	R00004018	DISCHARGE PLUG	
28	1	R00008832	OR	
36	1	R00004016	MECHANICAL SEAL COVER	
45	1	R00005152	(SP) BOLTS AND FASTNERS	

