



## Positive Displacement Water Meter - "Gladiator"

### Model P Concentric

The Gladiator is Arad's new positive displacement water meter, rotating piston type.

The flowing water causes the piston to rotate within its chamber, each piston revolution being equivalent to a known volume of water.

The piston movement is transferred by a magnetic coupling to the register which has the appropriate reduction gearing.

The Gladiator is tailored for the UK market and its unique application

#### Features:

- Specially designed for high accuracy and wide measuring range.
- Sealed super-dry register.
- All ARAD electrical output versions are adaptable to the meter.
- The UK version includes: IP68 Pulse under the glass register.

#### Applications

Domestic consumption

#### Available Sizes

15mm

#### Standards

ISO 4064 (class D), BS-EN 14154, EEC metrological requirements, WRAS and MID 2004/22/EC

#### Technical Specifications

<b>Maximum Working Pressure</b>	16 bar
<b>Maximum Working Temperature</b>	50°C
<b>Body</b>	Reinforced polyethylene



P concentric Gladiator type dial

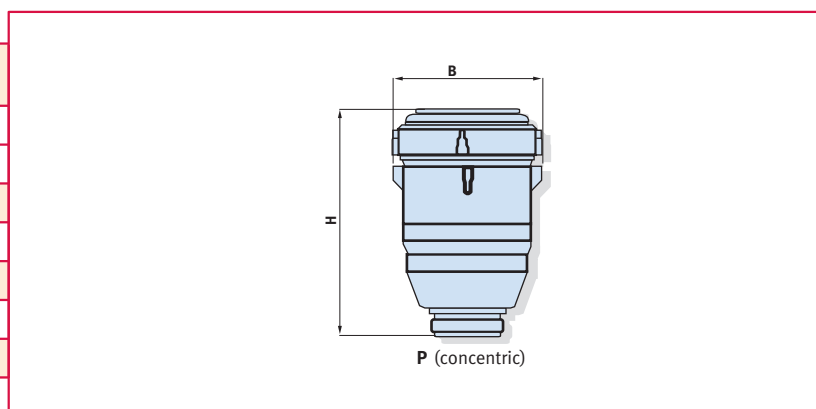
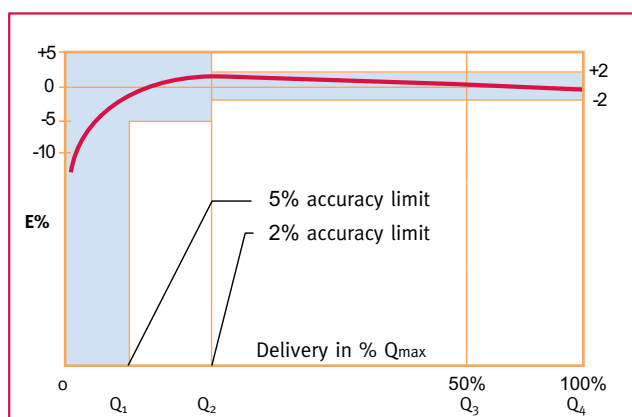
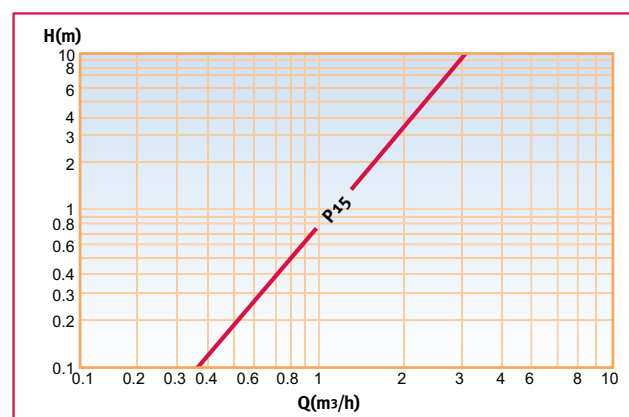


**Performance data:**

Model	Nominal Size (mm)	Q <sub>4</sub> Maximum flowrate (m <sup>3</sup> /h)	Q <sub>3</sub> Nominal flowrate (m <sup>3</sup> /h)	Q <sub>2</sub> Transitional Flowrate (l/h)	Q <sub>1</sub> Minimum Flowrate (l/h)	R Q <sub>3</sub> /Q <sub>1</sub>	Maximum register capacity (m <sup>3</sup> )	Minimum register capacity (liter)	Sensitivity (l/h)
P15 (concentric)	15	2	1.6	8	5	315	10 <sup>5</sup>	0.1	1
P15 (concentric)	15	2	1.6	10.5	6	250	10 <sup>5</sup>	0.1	1
P15 (concentric)	15	2	1.6	13	8	200	10 <sup>5</sup>	0.1	1

**Dimensions**

Model		P15 (concentric)
Nominal size	(mm)	15
	(inch)	1/2
L – Length without couplings (mm)		-
L <sub>1</sub> – Length with couplings (mm)		-
B – Width (mm)		103
H – Height (mm)		146
Weight (kg)		0.66

**Accuracy Curve****Head Loss Curve****Installation Requirements**

- The meter can be installed in any position (horizontal, vertical or inclined)
- The meter must be always full of water while operating.
- Prior to the installation of a new meter, the pipeline must be flushed out.