

 **PLASSON**[®]

Plasson Series 1

The New Compact Fitting



Technical Catalogue

2015

Global Presence - Local Commitment

 **PLASSON**[®]



Plasson Series 1 - The new range of innovative fittings created by Plasson, market leader in design and manufacture of reliable fittings for polyethylene pipe systems.

Plasson Series 1 - Fittings provide dedicated solutions for connecting PE pipe to various other pipe materials, such as Copper, Polybutylene, PVC and PEX.

Plasson Series 1 - Push fittings are designed to withstand 16 bar pressure rating. Inserting the pipe up to the fitting stop creates both the seal and the grip on the pipe.

Plasson Series 1 - Compact and attractive design makes this fitting ideal for the plumbing market, where space is limited and appearance is crucial. Simplicity of assembly makes both the professional and occasional user's job easier while retaining the Plasson reliability.

The combination of Plasson's current fitting range and the new Series 1 fulfill the requirements of all markets for PE pipe connections and connections to other pipe materials.

Plasson Series 1 features and benefits include:

- Aesthetically designed product - gives a professional finish to the job
- Assembly tools not required - simple push fit assembly
- Compact size - can be assembled in confined spaces
- Instant seal and integrity of joint - captive seal and no nuts to tighten
- Full end load performance - no need to restrain joints
- Transition from PE to internal plumbing systems - Copper, PB, PVC and PEX accommodated in one fitting
- 50 year design life - provides total reliability
- Tamper resistant design - ensures system integrity
- Reduced stock shelf space

Technical Specifications

Materials

Compression Fittings

Body: Polypropylene, high grade copolymer

Nut: High Grade Polypropylene

Split Ring and Grip Ring: Acetal (POM)

Liner: Acetal (POM)

Seal: Nitrile rubber (NBR)

Reinforcing Ring: Stainless steel on all female offtakes from 1¼" up to 2"

Threaded Fittings

Body: Polypropylene, high grade copolymer

Reinforcing Ring: Stainless steel

Brass Threads: CW617

Operating Temperatures

The fittings are not to be used with hot water, although they withstand the same temperature as the polyethylene pipe itself.

The fittings will withstand sub-zero temperatures.

Chemical Resistance

Plasson fittings are supplied, as standard, with polyacetal split and grip rings and NBR seals which are suitable for water.

Operating Pressures and Quality Certificates

Plasson fittings sizes 20-63 are tested and approved according to ISO 14236 to PN16.

Threads

All threads conform to ISO - 7/1, BS 21, DIN 2999, NEN 3258, AS 1722 Part 1.

All external threads are tapered.

All internal threads are parallel.

Legend

UB	Units per bag
UC	Units per carton
W	Weight in grams

The units per bag which appear in the catalog are scheduled to gradually take effect during 2015 (5 per bag for fittings up to 32mm; loose in carton for larger fittings).

Until the changes come into effect, all fittings are delivered 1 per bag.

Note

Before installation, ensure that the end of the pipe to be inserted into the fitting is free of scratches and other imperfections and that both the pipe and the fitting itself are free of sand, mud, stones, etc. If fittings are reused, ensure that split ring and grip ring teeth are sharp and bite into the pipe, to avoid pullouts. If uncertain, replace the split ring and grip ring.

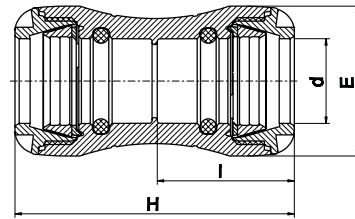
Note: We strongly recommend the use of PTFE tape in threaded connections.

For diameters 40mm and above, chamfering and lubrication of the pipe end will ease insertion (use silicone lubricant).



Coupler

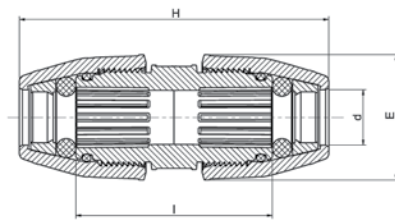
1001



Size d	E	H	I	UB	UC	W
20	41	92	45	5	260	64
25	47	98	48	5	200	80
32	58	108	53	5	120	126
40	70	142	70	—	90	234
50	85	158	78	—	55	369
63	103	183	90	—	30	620

Slip Repair Coupler

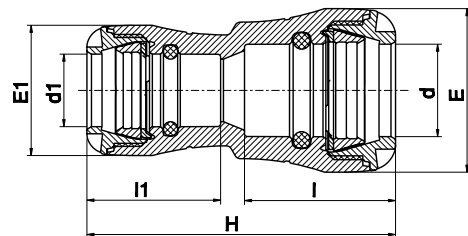
1761



Size d x d	H	E	I	UB	UC	W
25	150	60	94	5	—	—
32	160	68	96	5	—	—

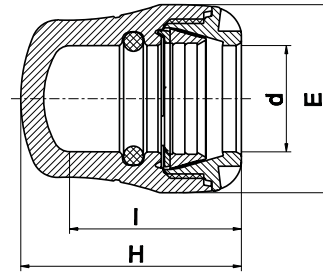
Reducing Coupler

1011



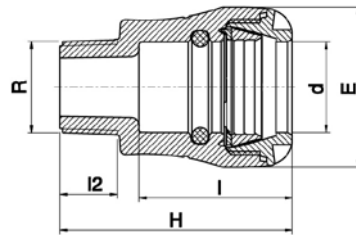
Size d x d1	E	H	I	E1	I1	UB	UC	W
25 x 20	47	100	48	41	45	5	200	75
32 x 20	58	106	54	41	45	5	160	95
32 x 25	58	110	54	47	48	5	160	109
40 x 32	70	139	71	58	55	—	100	196
50 x 25	85	151	79	47	51	—	80	262
50 x 32	85	152	79	58	55	—	75	285
50 x 40	85	165	77	58	53	—	65	326
63 x 32	103	172	91	58	55	—	45	446
63 x 40	103	183	91	70	71	—	40	485
63 x 50	103	187	91	85	81	—	35	542

End Plug

1012


Size d	E	H	I	UB	UC	W
20	41	56	45	5	360	39
25	47	60	48	5	300	50
32	58	68	53	5	220	82
40	70	90	71	—	150	146
50	85	102	79	—	100	229
63	103	117	91	—	55	379

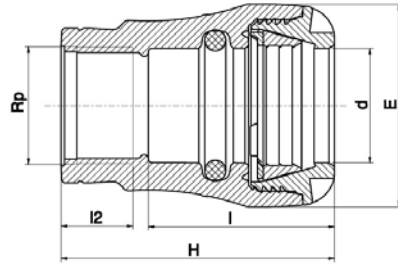
Male Adaptor

1002


Size d x R	E	H	I	I ₂	UB	UC	W
20 x 1/2"	41	70	45	16	5	340	41
20 x 3/4"	41	71	45	17	5	300	41
25 x 1/2"	47	70	48	16	5	300	52
25 x 3/4"	47	76	48	17	5	280	52
25 x 1"	47	78	48	19	5	260	55
32 x 3/4"	58	82	55	17	5	200	83
32 x 1"	58	84	55	19	5	200	86
32 x 1 1/4"	58	86	55	21	5	200	90
32 x 1 1/2"	58	86	55	21	5	200	94
32 x 2"	58	97	55	25	5	—	—
40 x 1"	70	104	73	19	—	140	145
40 x 1 1/4"	70	106	73	21	—	135	149
40 x 1 1/2"	70	106	73	21	—	130	152
50 x 1"	85	125	78	19	—	90	231
50 x 1 1/4"	85	122	78	21	—	90	231
50 x 1 1/2"	85	114	81	21	—	90	226
50 x 2"	85	118	81	25	—	85	232
63 x 1 1/2"	103	125	92	19	—	50	377
63 x 2"	103	129	92	25	—	50	367

Female Adaptor

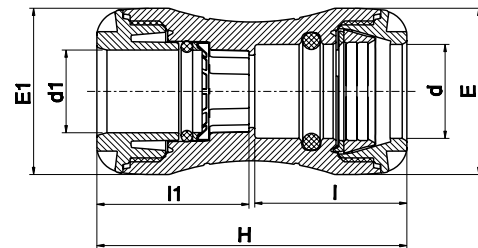
1003



Size d x Rp	E	H	l	l ₂	UB	UC	W
20 x 1/2"	41	67	45	17	5	340	43
20 x 3/4"	41	71	45	18	5	320	45
25 x 1/2"	47	70	48	17	5	300	52
25 x 3/4"	47	71	48	18	5	280	52
25 x 1"	47	80	48	21	5	280	60
32 x 3/4"	58	77	54	18	5	200	78
32 x 1"	58	79	54	21	5	200	81
32 x 1 1/4"	58	90	54	24	5	160	112
40 x 1"	70	97	70	21	—	140	153
40 x 1 1/4"	70	100	70	24	—	135	171
40 x 1 1/2"	70	103	70	24	—	130	171
50 x 1 1/4"	85	110	78	24	—	90	241
50 x 1 1/2"	85	110	78	24	—	90	247
50 x 2"	85	118	78	29	—	80	252
63 x 1 1/2"	103	125	90	24	—	50	378
63 x 2"	103	129	90	29	—	45	379

Copper Pipe Adaptor

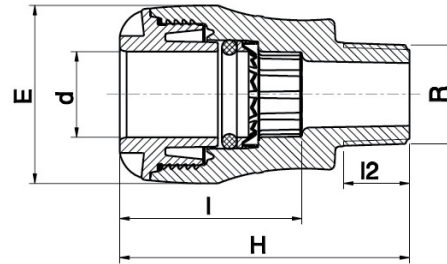
1001C



Size d x d ₁	E	H	l	E ₁	l ₁	UB	UC	W
20 x 15	41	92	45	41	46	5	260	68
25 x 15	47	100	48	41	46	5	200	79
25 x 22	47	98	48	47	48	5	180	81
32 x 28	58	108	53	58	53	5	120	131
40 x 28	70	139	71	58	55	—	120	203

Copper Pipe Male Adaptor

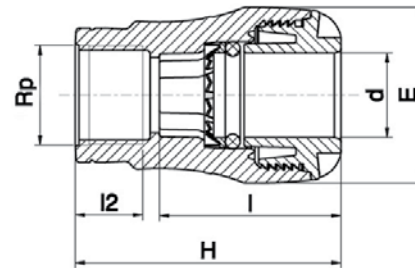
1002C



Size d x R	E	H	I	l2	UB	UC	W
15 x 3/4"	41	71	45	17	—	300	47
22 x 3/4"	47	76	48	17	—	300	51
28 x 1"	58	84	55	19	—	180	91

Female Copper Adaptor

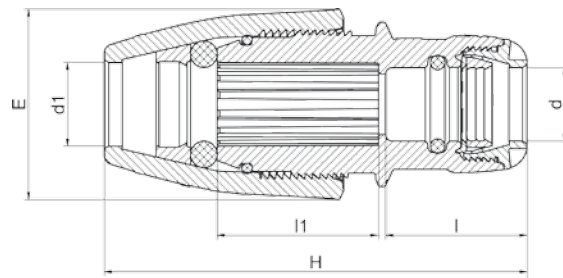
1003C



Size dxRp	H	E	I	l2	UB	UC	W
15 x 3/4"	71	41	45	18	—	300	48
22 x 3/4"	71	47	48	18	—	280	55

Universal Adaptor

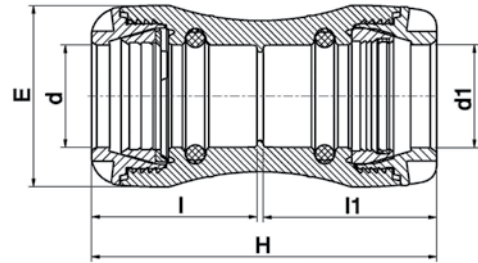
10017



Size dxd1	H	E	I	l1	UB	UC	W
25 x 14-18	117-137	54	48	47	5	180	130
25 x 19-22	119-130	57	48	47	5	150	141
25 x 24-28	130-142	66	48	55	5	120	180

PE to PVC Pipe Adaptor

1001Q

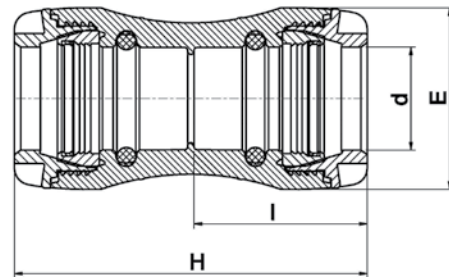


Size dxd1*	H	E	I	I1	UB	UC	W
25 x 25	100	47	48	50	5	160	85
32 x 32	110	58	53	55	5	100	133
40 x 40	145	70	70	73	—	100	249

*d1-PVC connection

Coupling for PVC Pipe

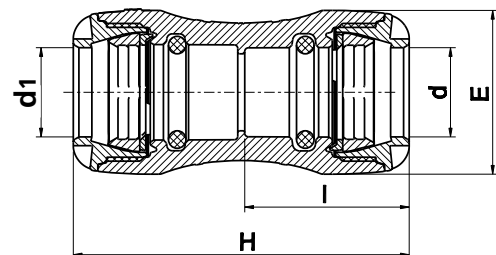
1001QQ



Size d	H	E	I	UB	UC	W
25	101	47	50	5	160	95
32	112	58	55	5	100	144
40	148	70	73	—	80	262

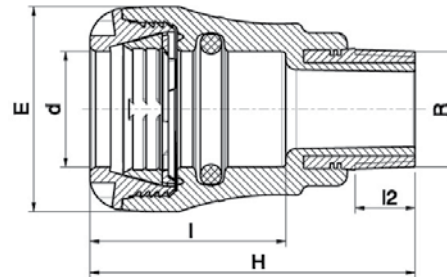
Coupler Metric to Imperial

1001M



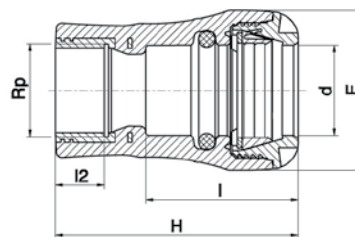
Size d x d1	E	H	I	UB	UC	W
20 x ½"	41	92	45	5	250	62
25 x ½"	47	100	48	5	240	76
25 x ¾"	47	98	48	5	200	80
32 x 1"	58	108	53	5	120	130

Male Adaptor with Threaded Brass Offtake

1072


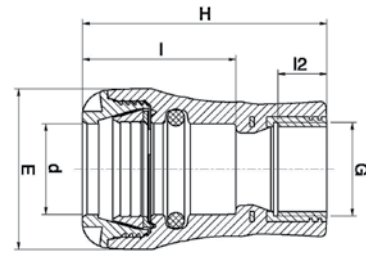
Size d x R	E	H	I	I ₂	UB	UC	W
20 x 1/2"	41	76	45	13	5	340	72
20 x 3/4"	41	77	45	15	5	300	82
25 x 1/2"	47	79	48	13	5	280	82
25 x 3/4"	47	80	48	15	5	280	92
25 x 1"	47	85	48	17	5	240	126
32 x 3/4"	58	88	55	15	5	200	120
32 x 1"	58	92	55	17	5	160	153
32 x 1 1/4"	58	100	55	19	5	140	200
32 x 1 1/2"	58	101	55	19	5	120	239
40 x 1"	70	110	73	17	—	130	216
40 x 1 1/4"	70	113	73	19	—	110	260
40 x 1 1/2"	70	113	73	19	—	100	290
50 x 1"	85	127	81	17	—	90	301
50 x 1 1/4"	85	127	81	19	—	80	340
50 x 1 1/2"	85	120	81	19	—	80	366
50 x 2"	85	127	81	23	—	65	449
63 x 1 1/2"	103	132	92	19	—	50	500
63 x 2"	103	139	92	23	—	50	580

Female Adaptor with Threaded Brass Offtake

1073


Size d x Rp	E	H	I	I ₂	UB	UC	W
20 x 1/2"	41	73	45	15	5	300	81
20 x 3/4"	41	80	45	16	5	280	100
25 x 1/2"	47	76	48	15	5	280	91
25 x 3/4"	47	78	48	16	5	280	104
25 x 1"	47	89	48	19	5	200	136
32 x 3/4"	58	86	56	16	5	180	135
32 x 1"	58	88	56	19	5	160	158
32 x 1 1/4"	58	98	56	21	5	120	214
40 x 3/4"	70	109	73	16	—	130	201
40 x 1"	70	106	73	19	—	130	231
40 x 1 1/4"	70	109	73	21	—	110	273
40 x 1 1/2"	70	113	73	21	—	100	299
50 x 1"	85	113	81	19	—	80	312
50 x 1 1/4"	85	124	81	21	—	80	350
50 x 1 1/2"	85	118	81	21	—	80	367
50 x 2"	85	127	81	26	—	65	457
63 x 1 1/2"	103	128	92	21	—	50	515
63 x 2"	103	133	92	26	—	50	586

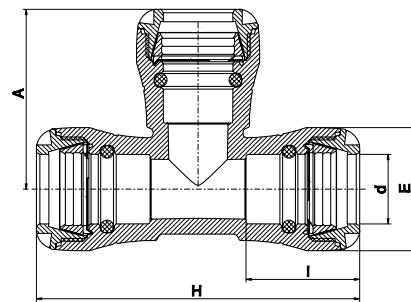
Female Adaptor with Threaded G* Brass Offtake 1073G



Size dxG	H	E	I	I2	UB	UC	W
25x¾"	78	47	48	12	5	240	108
25x1"	89	47	48	13.5	5	200	143
32x¾"	86	58	56	12	5	200	138
32x1"	88	58	56	13.5	5	160	163

* For connecting parallel male thread

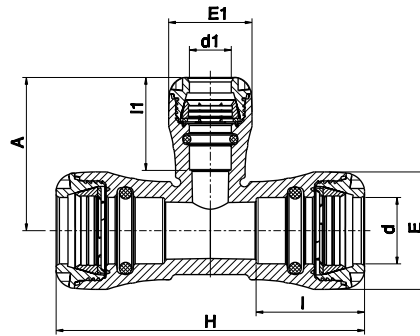
90° Tee 1004



Size d	E	H	A	I	UB	UC	W
20	41	123	71	45	5	140	103
25	47	134	78	48	5	100	137
32	58	152	84	54	5	60	221
40	70	192	108	70	—	45	429
50	85	214	124	78	—	30	667
63	103	262	147	90	—	14	1157

90° Reducing Tee

1034

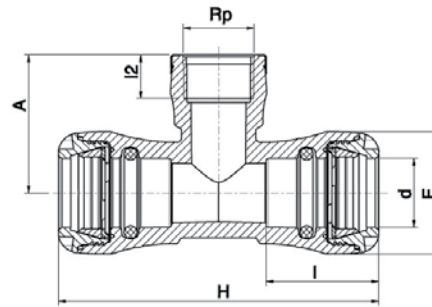


Size d x d1 x d	H	A	E	E1	I	I1	UB	UC	W
25 x 20 x 25	134	73	47	41	48	46	5	120	127
32 x 20 x 32	152	75	58	41	54	46	5	80	185
32 x 25 x 32	152	81	58	47	54	49	5	80	195
40 x 25 x 40	192	86	70	47	70	49	—	—	—
40 x 32 x 40	192	93	70	58	70	54	—	—	—
50 x 25 x 50*	214	90	85	47	78	49	—	—	—
50 x 32 x 50*	214	98	85	58	78	54	—	—	—
63 x 25 x 63*	262	96	103	47	90	49	—	—	—
63 x 32 x 63*	262	100	103	58	90	54	—	—	—

* Estimated Availability: Q2-2015

90° Tee with Threaded Female Offtake

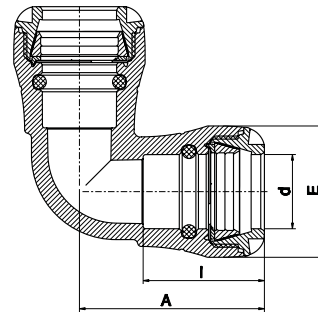
1014



Size d x Rp	E	H	A	I	I2	UB	UC	W
20 x 1/2"	41	123	43	45	17	5	200	84
20 x 3/4"	41	123	46	45	18	5	180	87
20 x 1"	41	123	52	45	21	5	180	99
25 x 1/2"	47	134	46	48	17	5	140	105
25 x 3/4"	47	134	48	48	18	5	140	107
25 x 1"	47	134	54	48	21	5	140	114
32 x 3/4"	58	152	52	54	18	5	80	172
32 x 1"	58	152	55	54	21	5	80	183
32 x 1 1/4"	58	152	63	54	24	5	60	215

90° Elbow

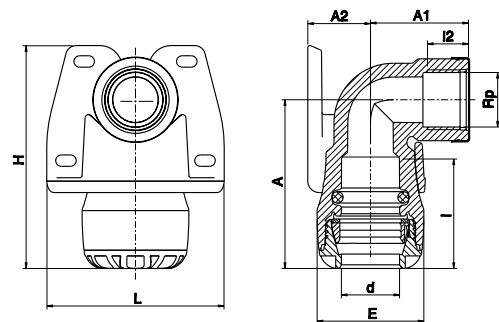
1005



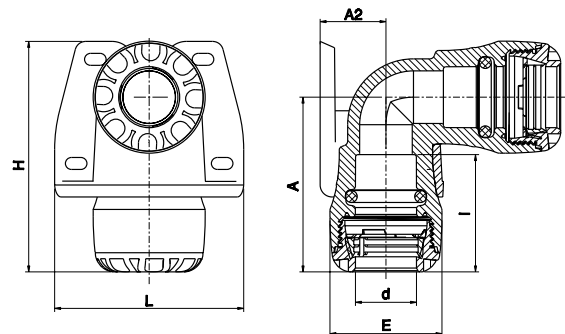
Size d	E	A	I	UB	UC	W
20	41	67	45	5	200	75
25	47	73	48	5	160	96
32	58	81	54	5	100	157
40	70	106	70	—	65	291
50	85	119	78	—	40	462
63	103	141	90	—	25	799

Wall Plate Elbow

1075



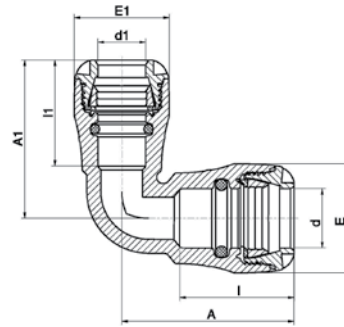
Size d x Rp	E	I	I2	A	A1	A2	L	H	UB	UC	W
20 x 1/2"	41	45	17	67	39	28	73	95	5	160	92
20 x 3/4"	41	45	18	67	43	28	73	95	5	160	96
25 x 1/2"	47	48	17	74	40	28	78	98	5	140	110
25 x 3/4"	47	48	18	74	43	28	78	98	5	140	116



Size d x d	E	I	A	A2	L	H	UB	UC	W
25 x 25	47	48	74	28	78	98	5	—	—

90° Reducing Elbow

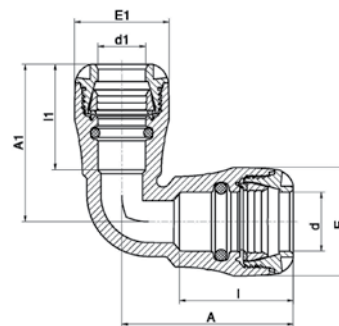
1051



Size dxd1	A	E	I	A1	E1	I1	UB	UC	W
25x20	74	47	48	68	41	46	5	160	90

90° Elbow Metric to Imperial

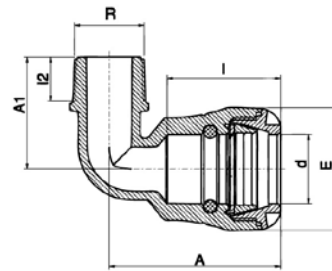
1005M



Size dxd1	A	E	I	A1	E1	I1	UB	UC	W
25x1/2"	74	47	48	68	41	46	5	180	89
25x3/4"	73	47	48	73	47	48	5	160	101

90° Elbow with Threaded Male Offtake

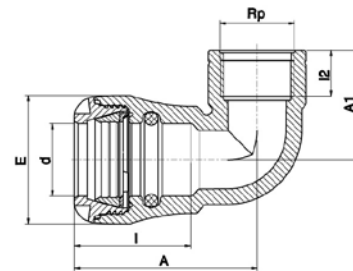
1085



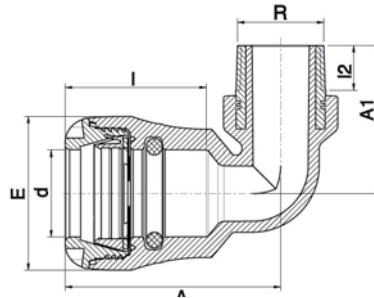
Size d x R	E	A	I	A1	l2	UB	UC	W
20 x 1/2"	41	66	45	41	16	5	300	47
20 x 3/4"	41	66	45	42	17	5	300	52
25 x 1/2"	47	74	48	44	16	5	280	57
25 x 3/4"	47	74	48	45	17	5	240	64
25 x 1"	47	74	48	47	19	5	220	65
32 x 3/4"	58	81	53	51	17	5	180	90
32 x 1"	58	81	53	53	19	5	180	92
32 x 1 1/4"	58	81	53	54	21	5	140	114
40 x 1"	70	107	71	57	19	—	110	173
40 x 1 1/4"	70	107	71	58	21	—	100	189
40 x 1 1/2"	70	107	71	60	21	—	100	194
50 x 1 1/4"	85	122	79	68	22	—	65	275
50 x 1 1/2"	85	122	79	68	21	—	65	290
63 x 1 1/4"	103	143	90	76	22	—	40	445
63 x 1 1/2"	103	143	90	78	21	—	40	458
63 x 2"	103	143	90	81	25	—	40	492

90° Elbow with Threaded Female Offtake

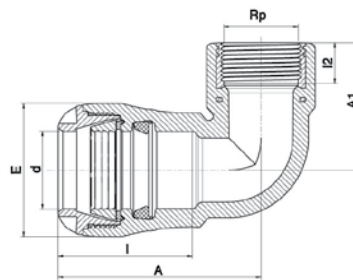
1015



Size d x Rp	E	I	A	A1	l2	UB	UC	W
20 x 1/2"	41	45	67	39	17	5	240	51
20 x 3/4"	41	45	67	43	18	5	240	55
20 x 1"	41	45	67	49	21	5	240	64
25 x 1/2"	47	48	74	40	17	5	220	63
25 x 3/4"	47	48	74	43	18	5	200	70
25 x 1"	47	48	74	50	21	5	180	82
32 x 3/4"	58	54	83	45	18	5	180	95
32 x 1"	58	54	83	49	21	5	160	111
32 x 1 1/4"	58	54	83	60	24	5	120	145
40 x 1"	70	72	107	51	21	—	110	179
40 x 1 1/4"	70	72	107	61	24	—	100	226
40 x 1 1/2"	70	72	107	65	24	—	90	244
50 x 1 1/2"	85	79	119	63	24	—	60	330
50 x 2"	85	79	119	75	29	—	55	349
63 x 2"	103	90	141	70	29	—	35	534

90° Elbow with Threaded Brass Male Offtake
1077


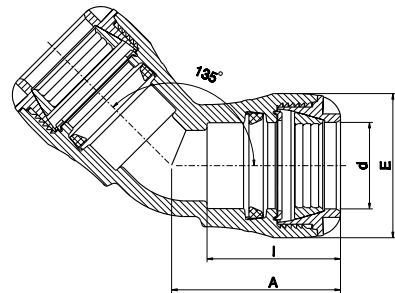
Size d x R	E	l	A	A1	l ₂	UB	UC	W
32 x ¾"	58	54	81	80	15.5	5	120	239
32 x 1"	58	54	81	82	17.5	5	120	258
32 x 1¼"	58	54	81	83	20	5	96	284
32 x 1½"	58	54	81	83	20	5	88	305
40 x 1"	70	71	104	59	19	—	90	239
40 x 1¼"	70	71	104	68	21	—	90	295
40 x 1½"	70	71	104	73	21	—	85	341
50 x 1"	85	79	116	62	19	—	70	334
50 x 1¼"	85	79	116	68	21	—	70	384
50 x 1½"	85	79	116	73	21	—	50	431
50 x 2"	85	79	116	85	26	—	50	538
63 x 1¼"	103	90	134	74	21	—	30	559
63 x 1½"	103	90	134	74	21	—	40	592
63 x 2"	103	90	134	85	26	—	40	726

90° Elbow with Threaded Brass Female Offtake
1076


Size d x Rp	E	l	A	A1	l ₂	UB	UC	W
32 x 1"	58	53	73	60	19	5	140	187
40 x ¾"	70	72	107	51	16	—	—	223
40 x 1"	70	72	107	60	19	—	90	256
40 x 1¼"	70	72	107	67	21	—	90	313
40 x 1½"	70	72	107	70	21	—	85	355
50 x 1"	85	79	122	60	19	—	70	354
50 x 1¼"	85	79	122	67	21	—	60	403
50 x 1½"	85	79	122	73	21	—	60	455
50 x 2"	85	79	122	84	26	—	50	558
63 x 1¼"	103	90	143	68	21	—	40	571
63 x 1½"	103	90	143	72	21	—	40	621
63 x 2"	103	90	143	82	26	—	40	747

45° Elbow

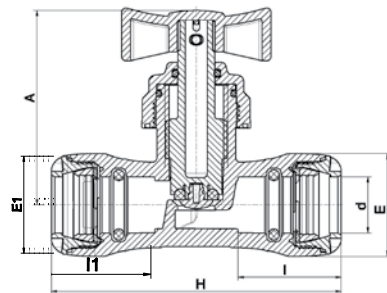
1006



Size d	E	I	A	UB	UC	W
32	58	54	67	5	120	147
40	70	71	88	—	80	263
50	85	79	100	—	40	428
63	103	90	118	—	25	719

Compression Stoptap

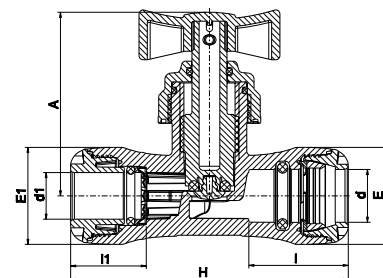
03410



Size d x d	H	A	E	I	E1	I1	UB	UC	W
20x20	123	89	41	45	—	—	5	100	145
25x25	134	89	47	48	—	—	5	100	167
25x20	129	89	47	48	42	45	5	100	161
32x32	152	89	47	48	—	—	5	80	225

Stoptap - Copper Pipe Adaptor

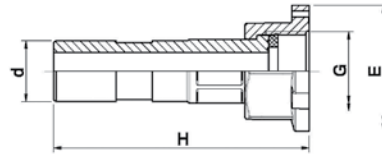
0341C



Size d x d1	H	A	E	E1	I	I1	UB	UC	W
20 x 15	123	89	41	41	45	45	5	100	149
25 x 15	129	89	47	42	48	46	5	100	165
25 x 22	134	89	47	47	48	48	5	100	171
32 x 28	152	89	58	58	54	54	5	80	223

Free Nut Union for Water Meter

035891



Size Gxd	E	H	UB	UC	W
3/4" x 20	44	86	—	150	37
1" x 25	52	90	—	150	53

Plasson Series 1 Wrench

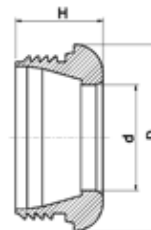
10990

Size	UB	UC	W
20 - 32	1	300	57
40 - 63	1	100	285



Nut

10004



Size d	D	H	UB	UC	W
20	40	22	50	700	7
25	45	22	50	500	8
32	57	24	50	300	15
40	68	33	—	400	29
50	83	37	—	125	44
63	100	43	—	100	60

O-Ring / O-Ring for Copper Pipe Adaptor*

10002 / 10002C*



Pipe Size	E	e	UB	UC	W
15*	13.6	4	50	32000	1
20	19	4	50	32000	1
22*	20.6	4.1	50	16000	1
25	24	5	50	16000	2
28*	26.8	3.9	50	10000	1
32	31	6	50	10000	4

EPDM

10002D



Pipe Size	E	e	UB	UC	W
15*	13.6	4	50	32000	1
20	19	4	50	32000	1
22*	20.6	4.1	50	16000	1
25	24	5	50	16000	2
28*	26.8	3.9	50	10000	1
32	31	6	50	10000	4

Shaped Seal

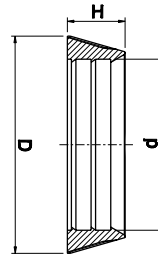
100029



Pipe Size	E	e	UB	UC	W
40	38	10	50	4000	8
50	48.6	10.5	50	2500	11
63	60.6	11.2	50	2000	15

Split Ring

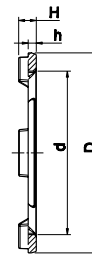
10003



Size d	D	H	UB	UC	W
20	27	9	50	6000	2
25	33	9	50	4500	3
32	42	11	50	2000	4
40	52	14	—	1600	14
50	64	17	—	500	14
63	81	21	—	500	27

Grip Ring

10008



Size d	D	H	h	UB	UC	W
20	27	3.8	1.8	50	7000	1
25	33	3.7	1.7	50	5500	1
32	42	3.7	1.7	50	3000	1
40	52	4.0	2.2	50	2500	2
50	64	4.3	2.5	50	1000	3
63	80	4.8	3.0	50	1000	6

Space Washer for Copper Pipe Adaptor

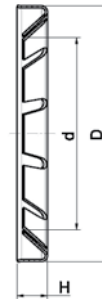
1099C



Size d	D	H	UB	UC	W
15	21	2.7	50	—	0.4
22	28	3	50	—	0.4
28	34	3	50	—	1

Grab Ring for Copper Pipe Adaptor

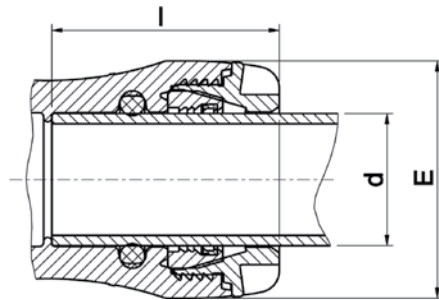
10008C



Size d	D	H	UB	UC	W
15	21	1.9	50	6000	1
22	28	2.0	50	5000	1
28	34	2.2	50	3000	1

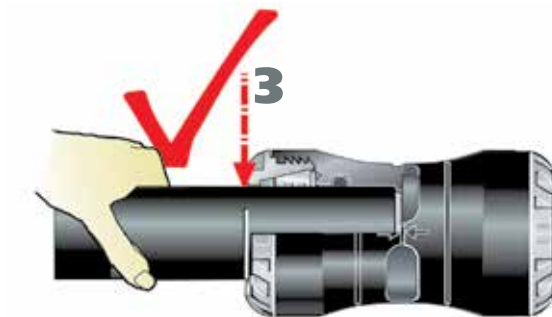
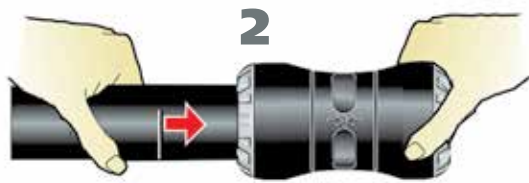
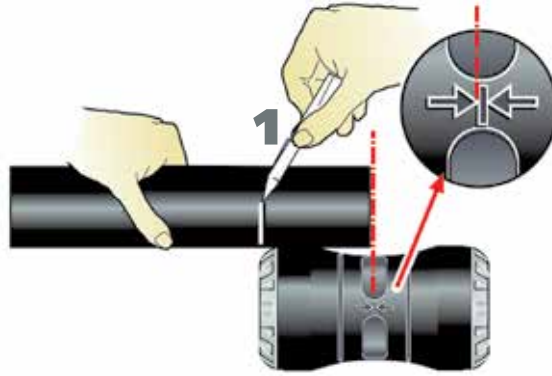
PVC Pipe Adaptor Kit

1091Q

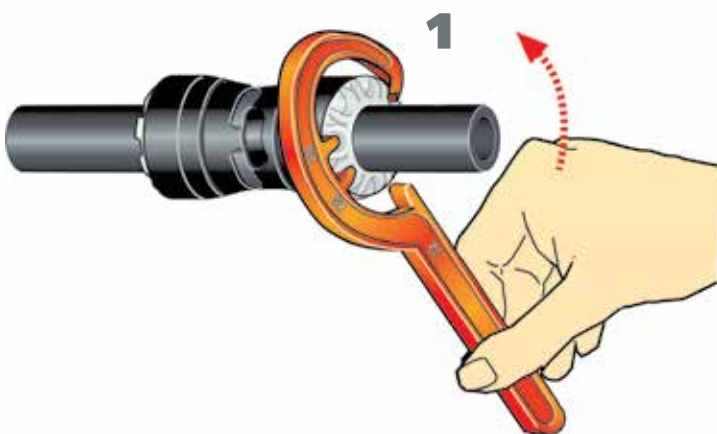


Size d	E	I	UB	UC	W
25	47	50	—	500	26
32	58	55	—	400	31
40	70	72	—	300	56

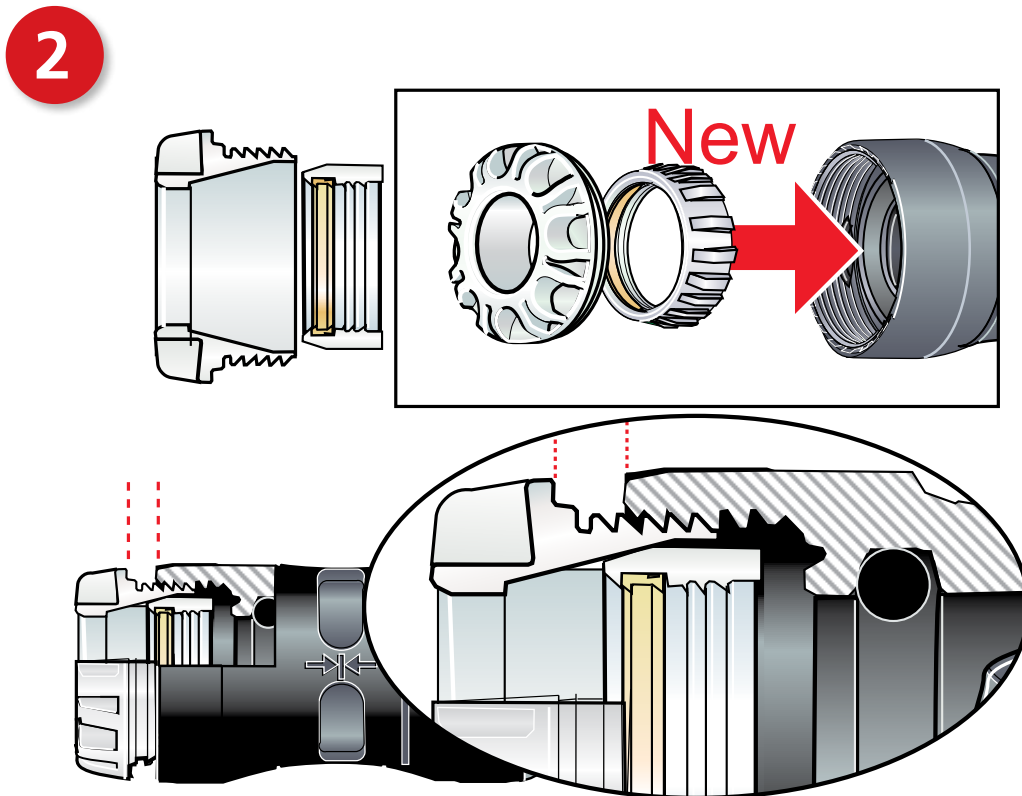
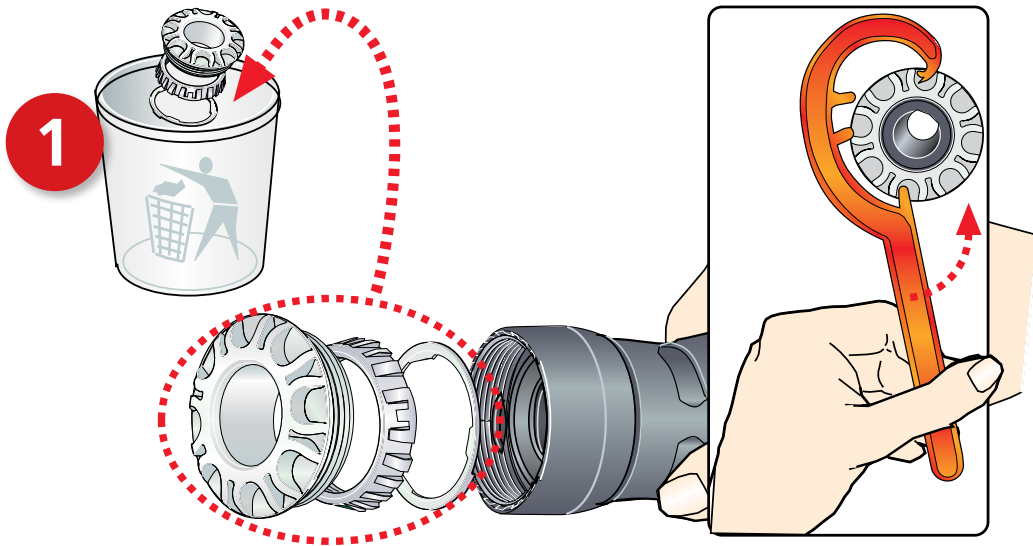
Installation Instructions



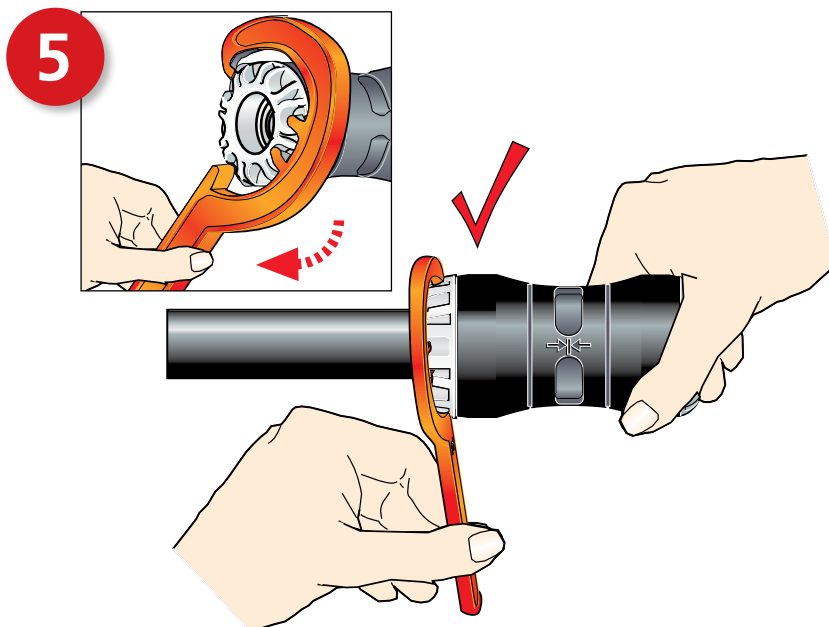
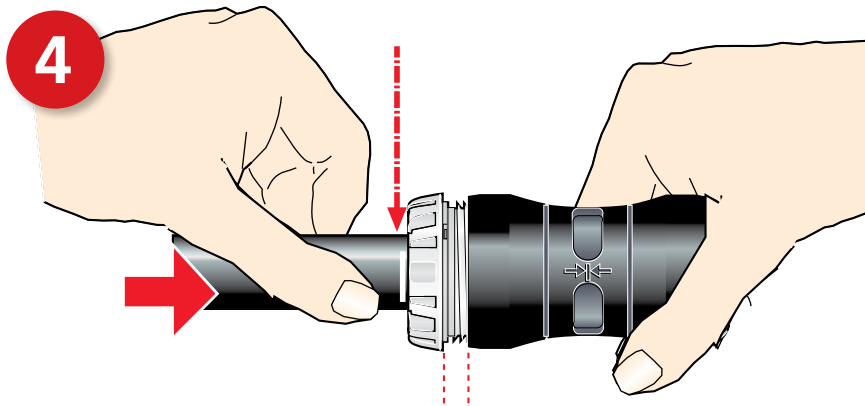
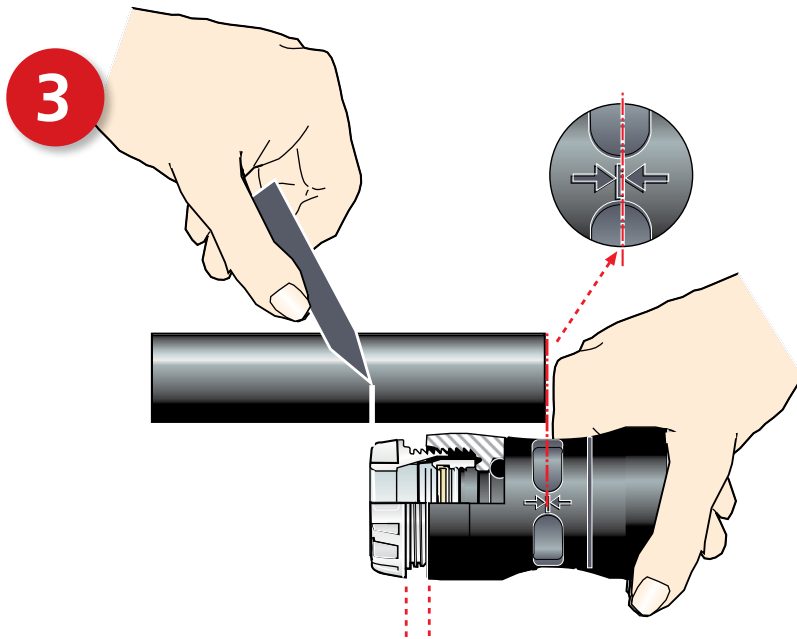
Disassembly



Assembly Instructions PVC Pipe Kit



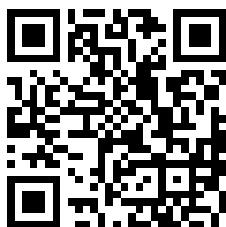
Connection Instructions PVC Pipe





Global
Presence
Local
Commitment

The Complete Range of Plasson Solutions



Use the QR code reader on your smartphone to get to Plasson's website

 **PLASSON**[®]

PLASSON Ltd.

Maagan Michael

D.N. Menashe 3780500 Israel

Tel: +972-4-6394711

Fax: +972-4-6390887

E-mail: sales@plasson.com

www.plasson.com