

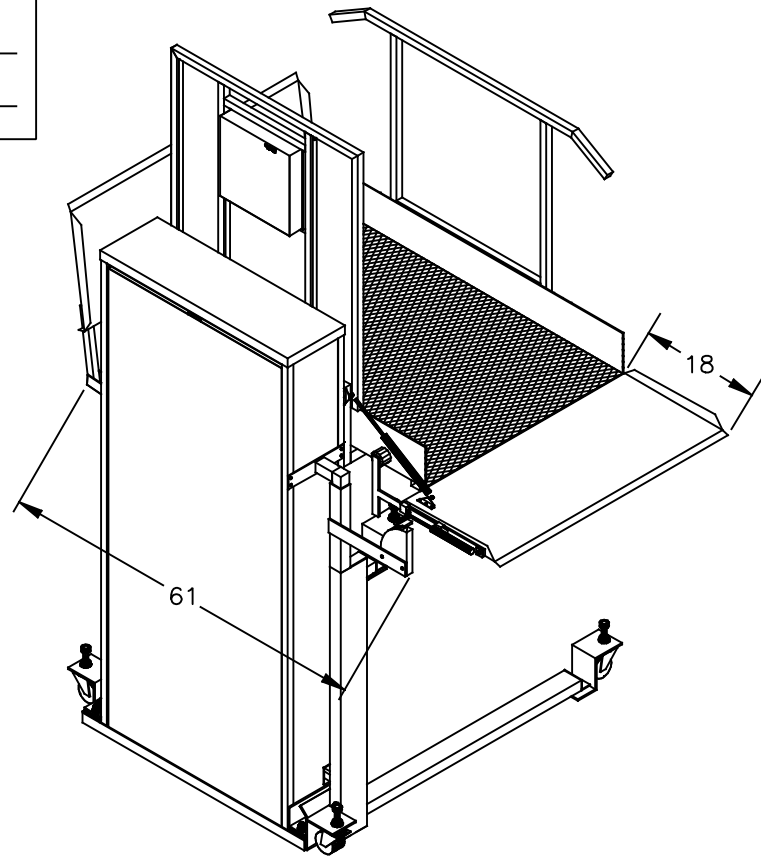
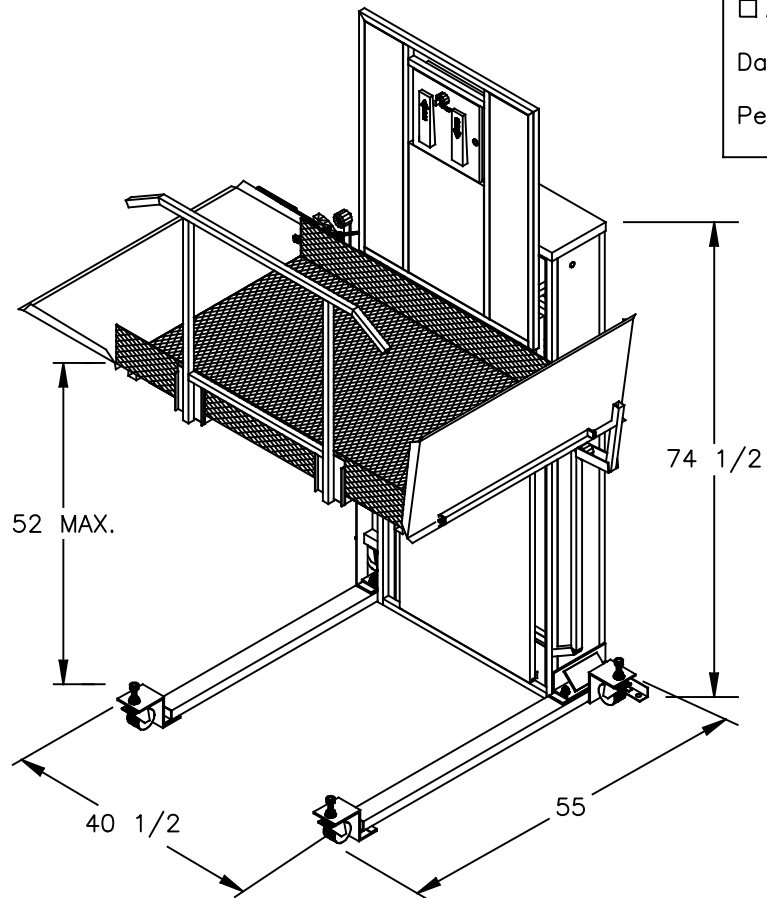
Accepted as Shown

Revise and Resubmit

Accepted as Modified

Date: _____

Per: _____



NOTES:
- Dimensions are in inches

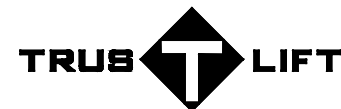
C	RAM	28/3/18	CHANGE DIMENSIONS FOR 750 DESIGN
B	BH	28/3/06	CORRECT DECK DIMENSIONS

JOB No.	TOTAL TRAVEL	52 [1321]	INCHES mm	No. OF LANDINGS	2
---------	--------------	-----------	-----------	-----------------	---

LOCATION	PORTABLE TRUS<T>LIFT SAMPLE DRAWING
----------	--

ARCHITECT	
-----------	--

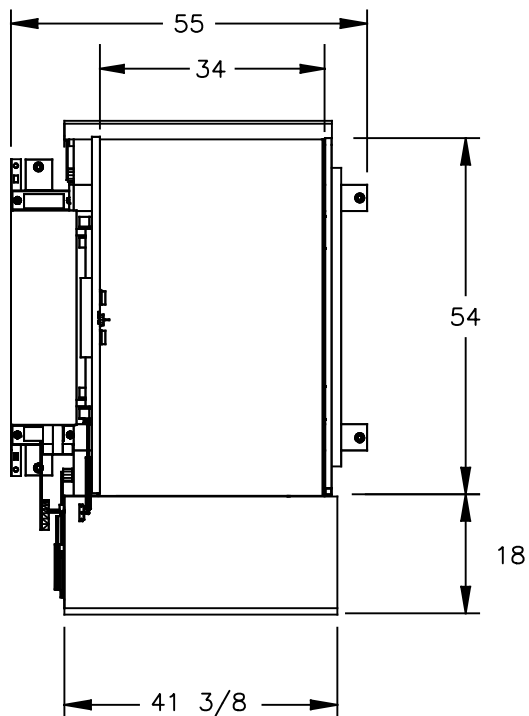
GENERAL CONTRACTOR	
--------------------	--



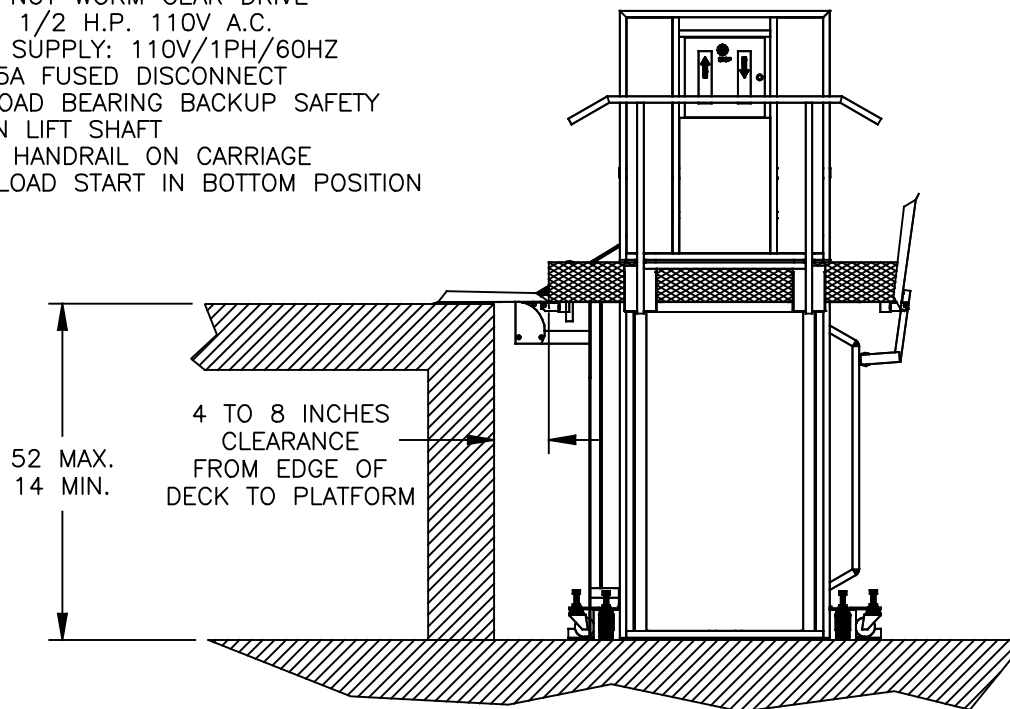
DWN. BY: B. HANNAH	TRUS-T-LIFT INSTALLATION DETAILS AND SPECIFICATIONS			
CHECKED BY:				
SCALE: N.T.S.	DATE: 04/04/05	DRAWING No. 52PORTABLE	1/2	REV C

SPECIFICATIONS:

- 34" x 54" LIFT PLATFORM
- 55" x 54" FOOTPRINT
- 74.5" HEIGHT
- 14" - 52" LIFT RANGE
- MAXIMUM LOAD 550 lbs [250 kg].
- 8 FEET/MINUTE [2.4 METRES/MINUTE] LIFT SPEED
- SCREW NUT WORM GEAR DRIVE
- MOTOR: 1/2 H.P. 110V A.C.
- POWER SUPPLY: 110V/1PH/60HZ C/W 15A FUSED DISCONNECT
- NON-LOAD BEARING BACKUP SAFETY NUT ON LIFT SHAFT
- SAFETY HANDRAIL ON CARRIAGE
- ZERO-LOAD START IN BOTTOM POSITION



PLAN VIEW SECTION



SECTION A-A

C	RAM	28/3/18	CHANGE DIMENSIONS FOR 750 DESIGN
B	BH	28/3/06	CORRECT DECK DIMENSIONS

JOB No.	TOTAL TRAVEL	52 [1321]	INCHES mm	No. OF LANDINGS	2
---------	--------------	-----------	-----------	-----------------	---

LOCATION	PORTABLE TRUS<T>LIFT SAMPLE DRAWING				
----------	-------------------------------------	--	--	--	--

ARCHITECT					
-----------	--	--	--	--	--

GENERAL CONTRACTOR					
--------------------	--	--	--	--	--



DWN. BY:	B. HANNAH				
CHECKED BY:					
SCALE:	N.T.S.	DATE:	04/04/05	DRAWING No. 52PORTABLE	REV C
				2/2	

TRUS-T-LIFT
INSTALLATION DETAILS
AND SPECIFICATIONS