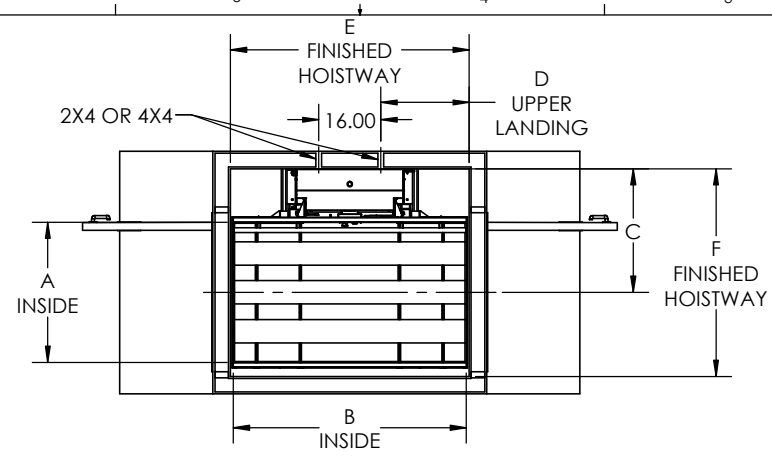
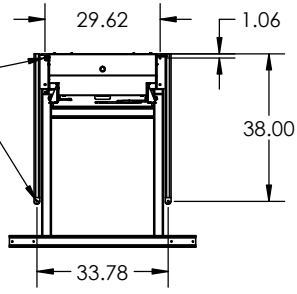


ANCHOR LOCATIONS - 4 PLACES



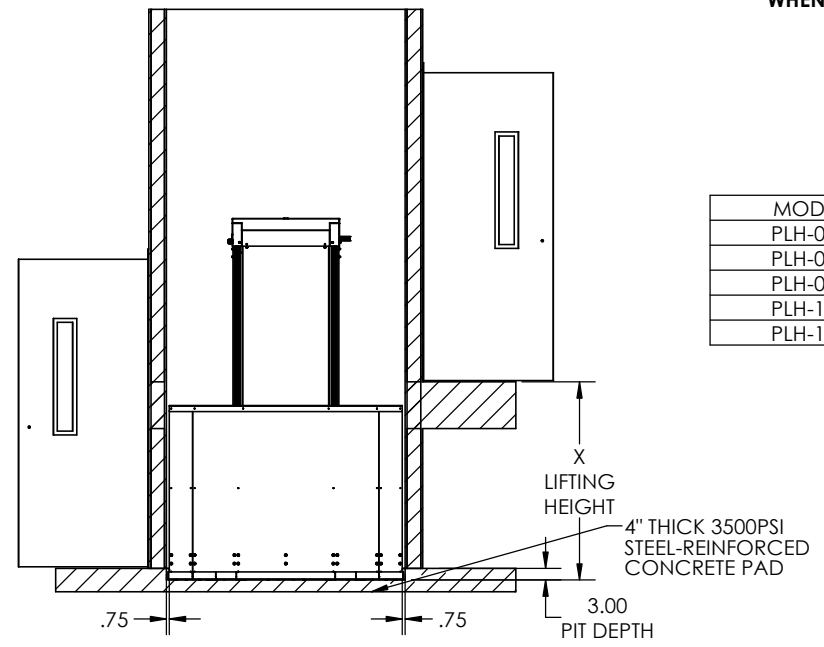
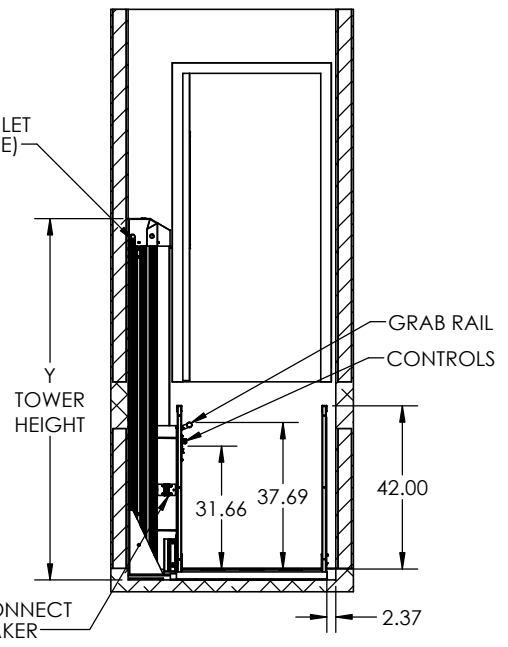
PLATFORM SIZE	A	B	C	D	E	F
36X48	36.25	48.00	31.81	16.75	49.50	53.50
36X54	36.25	54.00	31.81	16.75	55.50	53.50
36X60	36.25	60.00	31.81	22.75	61.50	53.50
42X54	42.25	54.00	34.81	16.75	55.50	59.50
42X60	42.25	60.00	34.81	22.75	61.50	59.50

Specifications
 Model: VP19
 Rated Load: 750 lbs
 Drive: Dual winding cable drums / 24 VDC
 500 watt motor w/brake
 Supply Power: 120 VAC 15A
 Operating Power: 24 VDC (DUAL 12V 10AH BATTERIES)
 Control Power: 5 VDC
 Platform: 36" x 48" (36" x 54") (36" x 60")
 (42" x 54") (42" x 60")
 Lift Height: 1" - 144"
 Speed: 15-18 fpm
 Controls: Constant pressure
 Safety Standards: ASME A18.1, Section 2
 CSA B44.1/ASME A17.5
 Safety Features: Safety pan, final limit, slack cable brake,
 emergency stop w/alarm

DIMENSIONS AND SPECIFICATIONS SUBJECT TO CHANGE

DESIGNED TO COMPLY WITH ANSI A18.1 PART 2 WHEN PROPERLY INSTALLED

120VAC INLET (EITHER SIDE)



MODEL	X	Y
PLH-048	48	93.06
PLH-072	72	117.06
PLH-096	96	141.06
PLH-120	120	165.06
PLH-144	144	189.06

SHCA Staying Home Corporation
 2501 Anaconda Rd
 Harrisonville, MO 64701
 816-380-2427
 www.stayinghome.com

TITLE: PLATFORM LIFT - HOISTWAY STRAIGHT THRU PITTED

SIZE B	DWG. NO. TYP-PLH-ST P	REV 05/09 2019
SCALE:	WEIGHT:	SHEET 1 OF 1