

Staying Home Corporation

1503 Vine Street

Harrisonville, MO 64701

816.380.2427

www.stayinghome.com



**Dumbwaiter
Installation Manual**

12/17/2015

This dumbwaiter was designed to meet the stringent requirements of ASME A17.1, and ASME A17.5 when installed properly. Before installing this product, check with local authorities to assure local code compliance, installation requirements, and to determine if permits are required.

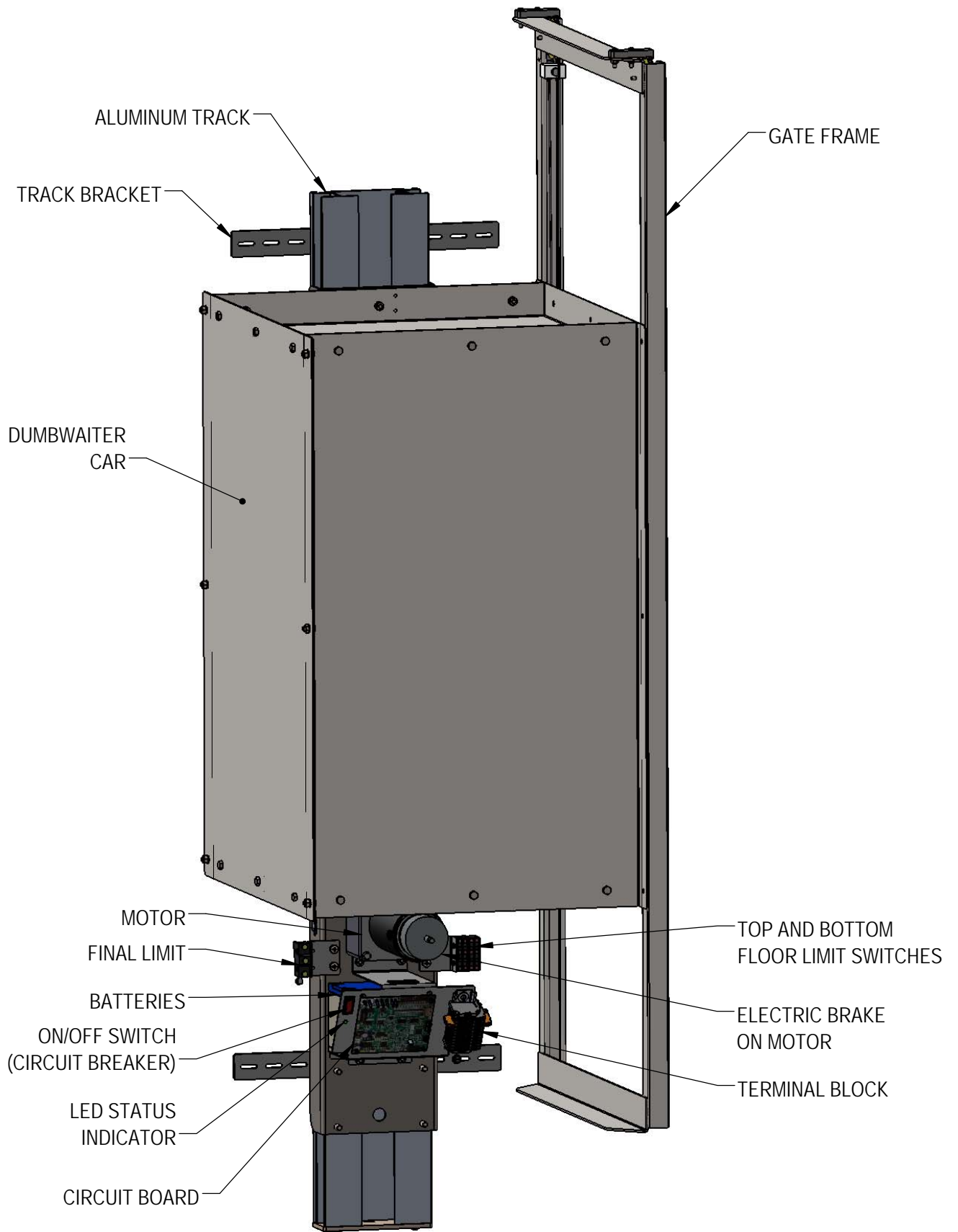
Save these instructions.

For ease of installation, we recommend that one hoistway wall at the lower level be left open until the dumbwaiter is installed.

Basic installation steps:

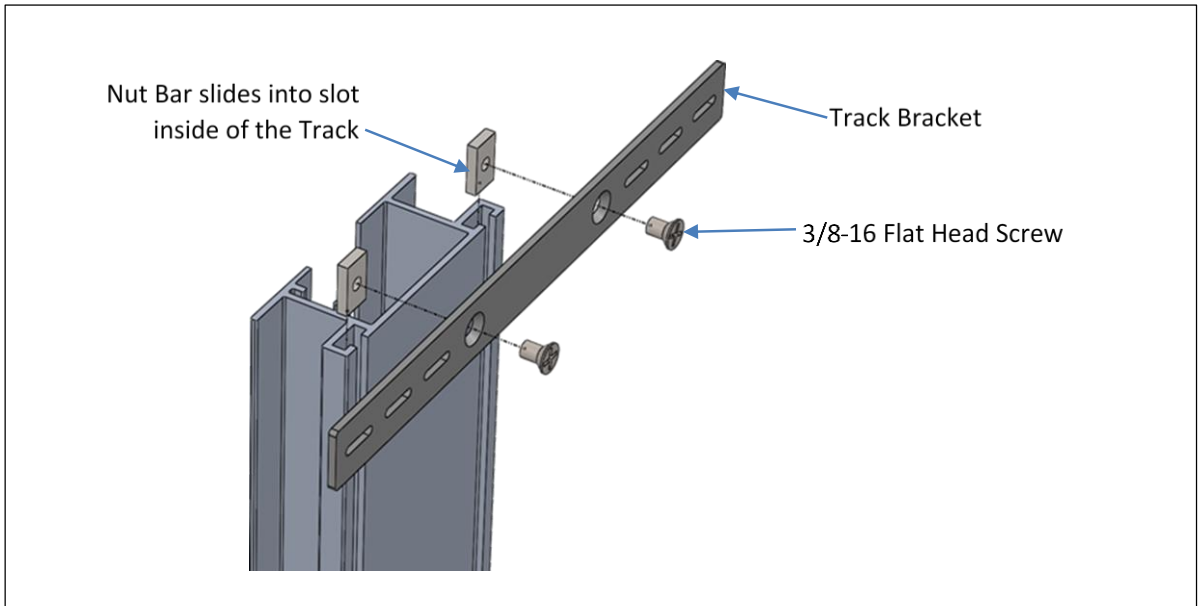
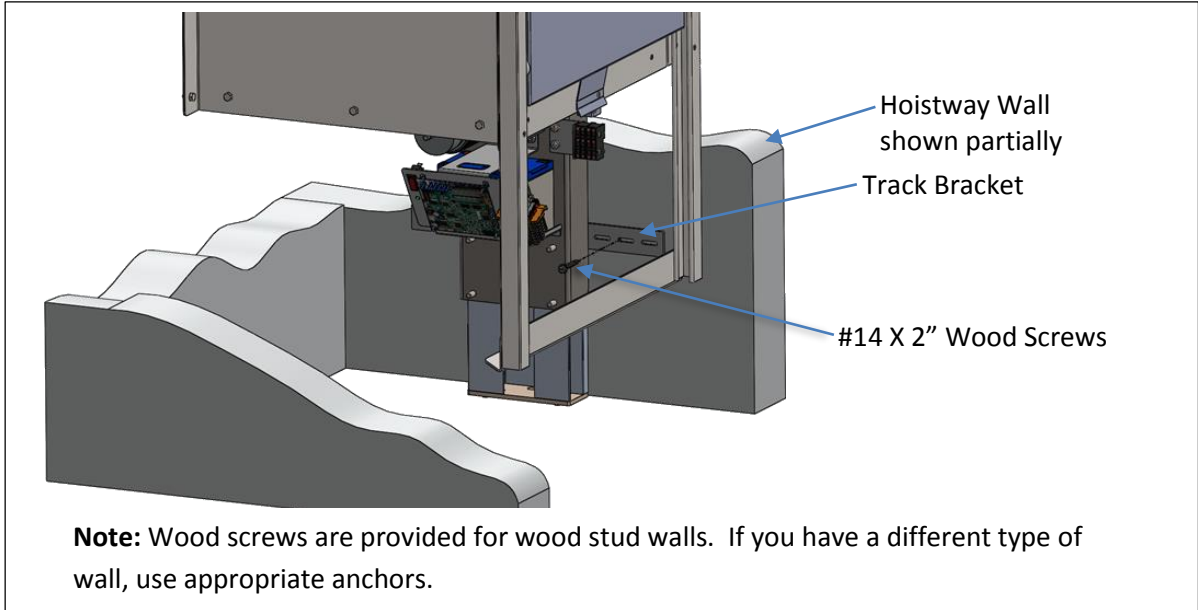
1. Mount lower section of track and unit to hoistway wall.
2. Attach other pieces of track.
3. Mount limit cams.
4. Mount hoistway junction box.
5. Install call-send controls.
6. Install interlocks.
7. Completion checklist.

Dumbwaiter Overview



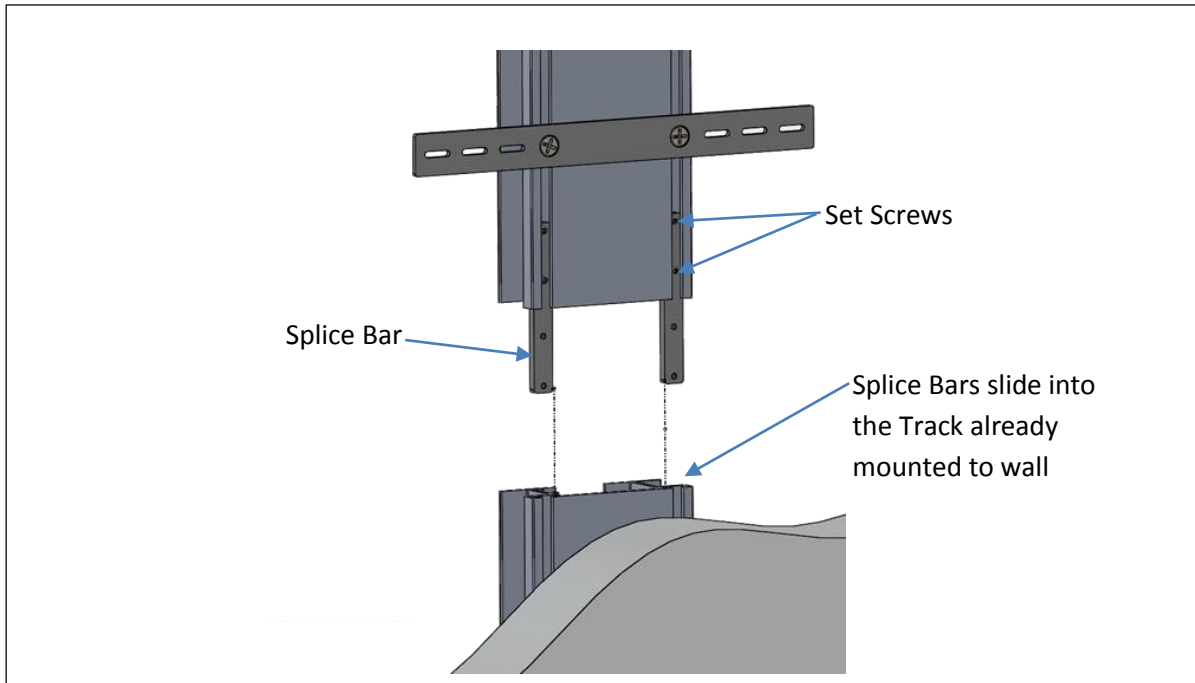
The dumbwaiter car is fully assembled onto the chasis and bottom piece of track. If necessary, the car can be removed from the chasis for installation.

1. Stand dumbwaiter assembly inside hoistway and fasten to wall at brackets. Refer to the application drawing for location and required running clearances.



2. Attach (3) track brackets to each remaining piece of track.
Note that the limit switch cams will mount to the wall in an area between 5" and 10" below each landing level. Avoid locating a track bracket in this area. *See page 6 for cam locations.*

3. The lower end of each additional track section will have splice bars inside the slots. Loosen the set screws and slide the splice bars half-way out of the track and tighten the set screws.



4. Stack the additional track pieces onto the top end of the track already mounted to the wall and fasten to the wall at the track brackets.
5. Plug install control switch into the 3-pin connector that is wired to the circuit board (control may already be installed).

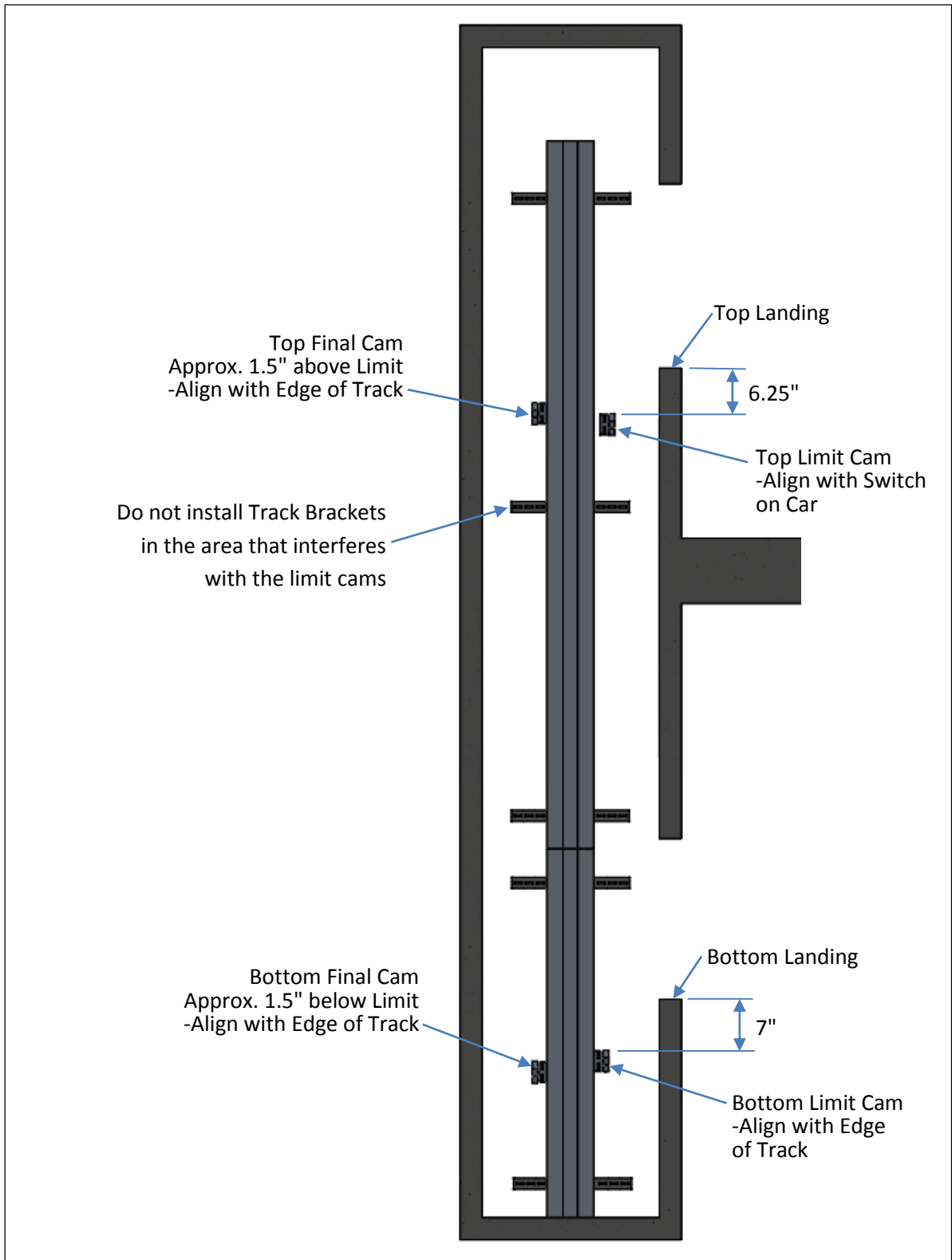
Turn the dumbwaiter switch on and wait for a single beep. If the LED below the on/off switch is a solid color with no flashes, then the dumbwaiter is ready to run. If the LED flashes, then a safety circuit is open. Refer to wiring diagram for flash codes.

Use the install control switch to run the car up far enough that you can work underneath it.

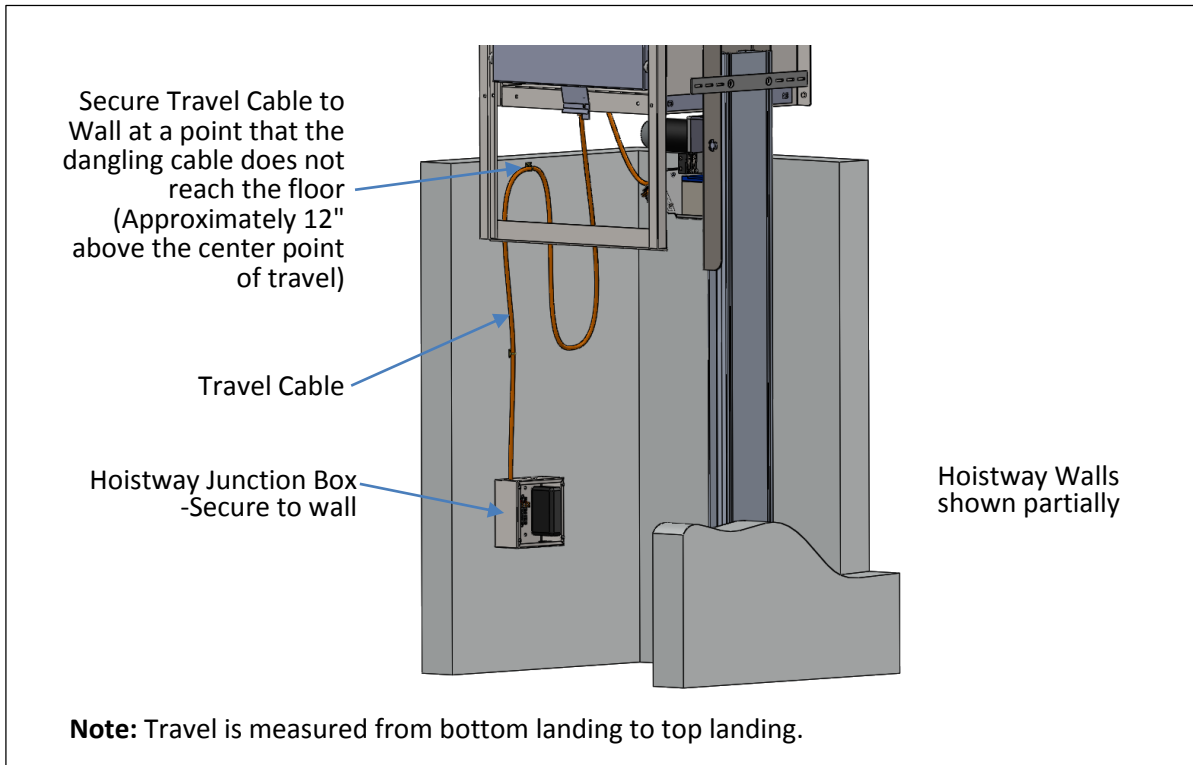
Note: There is a jumper wire factory installed between terminals 4 and 9. This jumps out the door closed safety circuit so the dumbwaiter can run during installation until the interlocks are installed.

This jumper must be removed before completing the installation.

6. Attach the limit cams to the hoistway wall with wood screws. See illustration below for locations. The cams are slotted to allow for adjustment later.



7. Mount hoistway junction box to hoistway wall in the lower part of the hoistway, below bottom landing where it will not interfere with moving car.
Carefully unwind the cable leading to the car before attaching to wall. It is important to not have any twists in the cable.
The hoistway junction box is where the call-send controls and interlocks connect to the control system.



8. Carefully run the car to the top and bottom limits to verify the travel cable length.

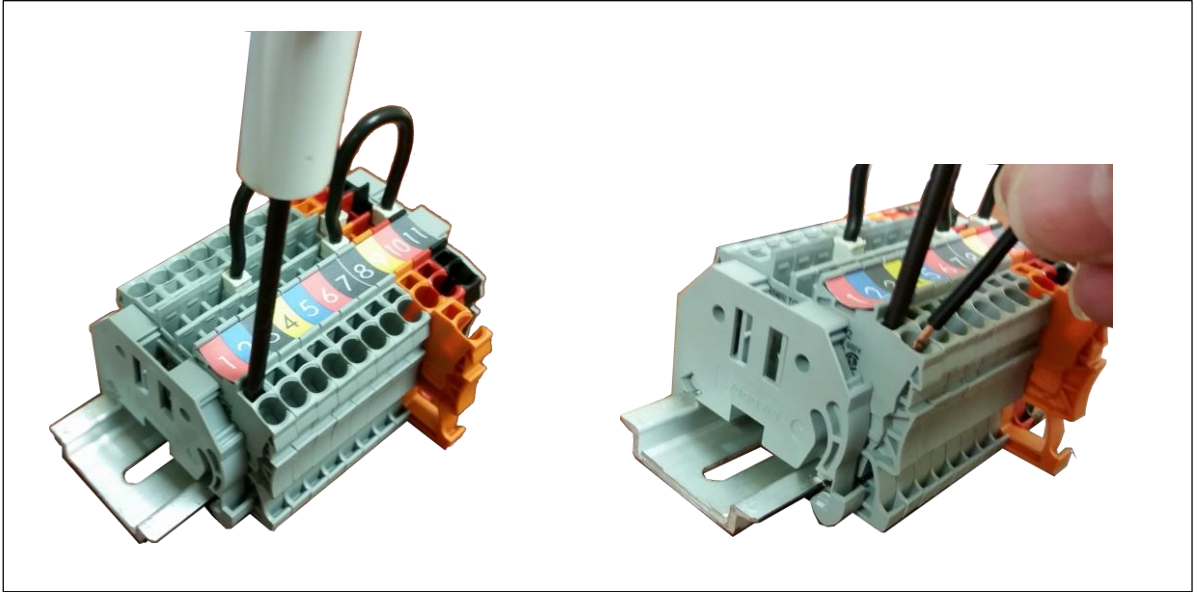
Note: Turn dumbwaiter controller off when doing any wiring.

9. Mount each call-send control where desired and route the cables to the hoistway junction box. Connect wires to terminal block inside junction box as follows:

Wire Color	Terminal
BLACK	1
RED	2
WHITE	3
GREEN	9

To connect wires to the terminal block:

- a. Strip wires .25"
- b. Insert small screwdriver into rectangular slot adjacent to the wire hole
- c. Insert wire
- d. Remove screwdriver



10. Mount each interlock per the instructions provided with the interlock.

11. Route one the 4-conductor cables between the hoistway junction box and each interlock.
Connect wire to each interlock as follows:

Wire Color	Interlock Terminal
RED	A
BLACK	B
WHITE	C
GREEN	D

Connect wires to terminal block inside junction box as follows:

Top Interlock

Wire Color	Jct Box Terminal
RED	5
BLACK	8
WHITE	4

Bottom Interlock

Wire Color	Jct Box Terminal
RED	6
BLACK	8
GREEN	9

Splice the GREEN wire from the top interlock to the WHITE wire from the bottom interlock.

12. Connect the battery charger to 120VAC power source.
13. Pull one end of the wire jumper between terminals 4 and 9 at the controller. This jumper is intended for troubleshooting and installation purposes only. It closes the door closed circuit. This jumper should never be left in place.

The dumbwaiter should now be ready to run with automatic operation from the call-send controls.

14. Perform the completion checklist before turning the dumbwaiter over to the customer.

Completion Checklist

- ✓ Verify each call-send control 'calls' and 'sends' the dumbwaiter to the appropriate landing.
- ✓ Verify the floor of the dumbwaiter stops level with the sill at each stop. Adjust position of cams if necessary.
- ✓ Verify all controls are inoperable if the car gate is open.
- ✓ Verify all controls are inoperable if a hoistway door is open. *Test each hoistway door individually.*
- ✓ Verify each hoistway door locks when the dumbwaiter is not parked at that landing.
- ✓ Verify all controls are inoperable if the final limit switch is actuated.
- ✓ Verify that the travel cable travels freely.
- ✓ Verify all track mounting hardware, switch cams and car hardware are securely tightened.