

8 7 6 5 4 3 2 1

D

D

C

C

B

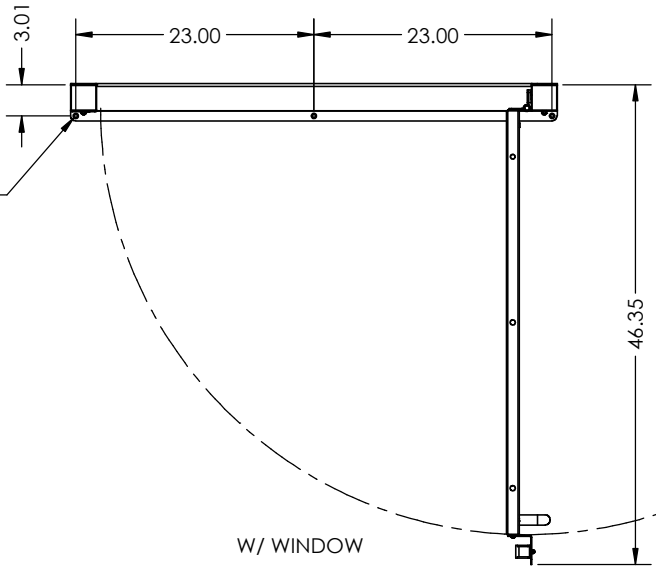
B

A

A

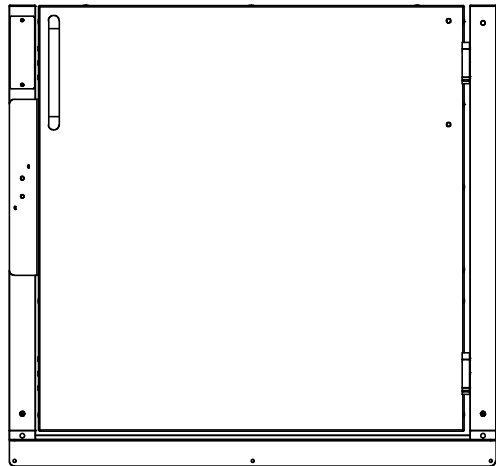
LH SWING SHOWN
FIELD REVERSIBLE

MOUNTING
HOLES



DESIGNED TO COMPLY
WITH ANSI A18.1 PART 2
WHEN PROPERLY INSTALLED

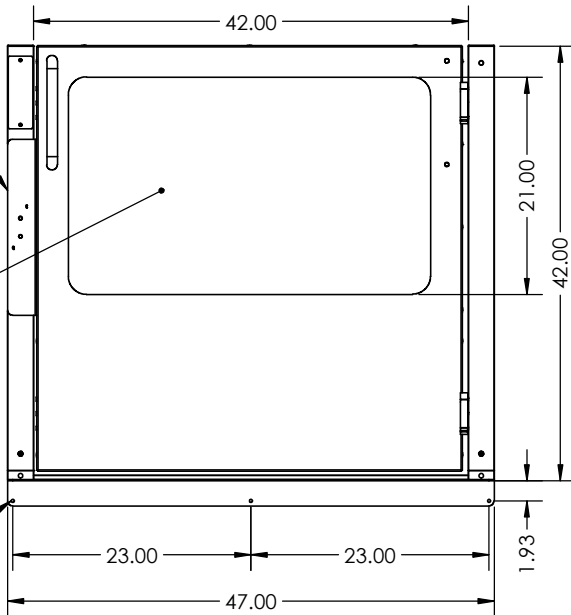
W/OUT WINDOW



INTERLOCK

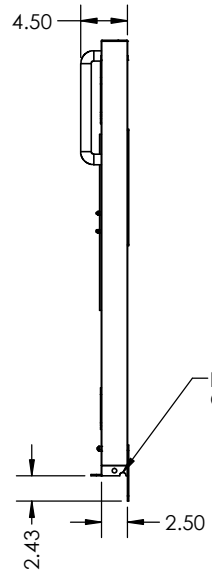
CLEAR ACRYLIC
VISION PANEL

MOUNTING
HOLES



4.50

INTERLOCK WIRING
CHANNEL - EACH SIDE



Staying Home Corporation
2501 Anaconda Rd
Harrisonville, MO 64701
816-380-2427
www.stayinghome.com

TITLE: TOP LANDING GATE 42"		
SIZE B	DWG. NO. TYP-TLG42	REV
SCALE:	WEIGHT:	SHEET 1 OF 1

01/24/2019

8 7 6 5 4 3 2 1