

8 7 6 5 4 3 2 1

D

D

C

C

B

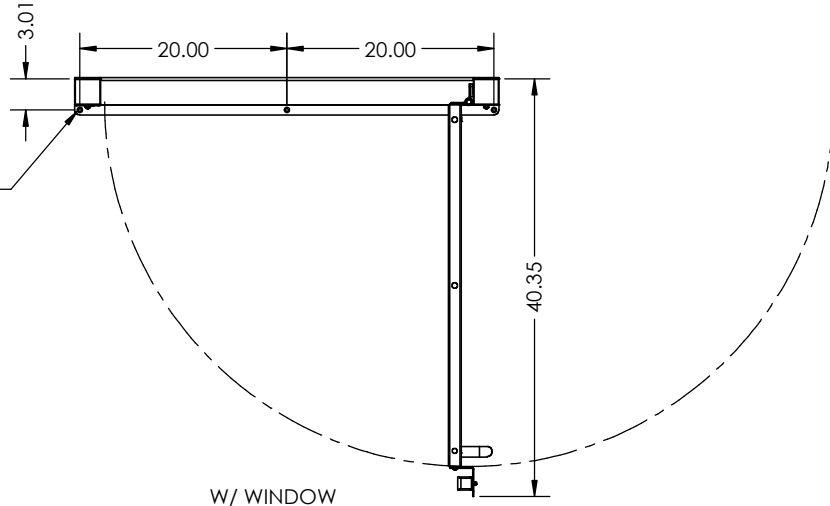
B

A

A

LH SWING SHOWN  
FIELD REVERSIBLE

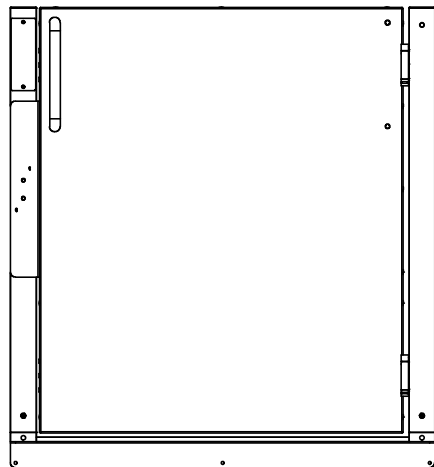
MOUNTING  
HOLES



DESIGNED TO COMPLY  
WITH ANSI A18.1 PART 2  
WHEN PROPERLY INSTALLED

W/OUT WINDOW

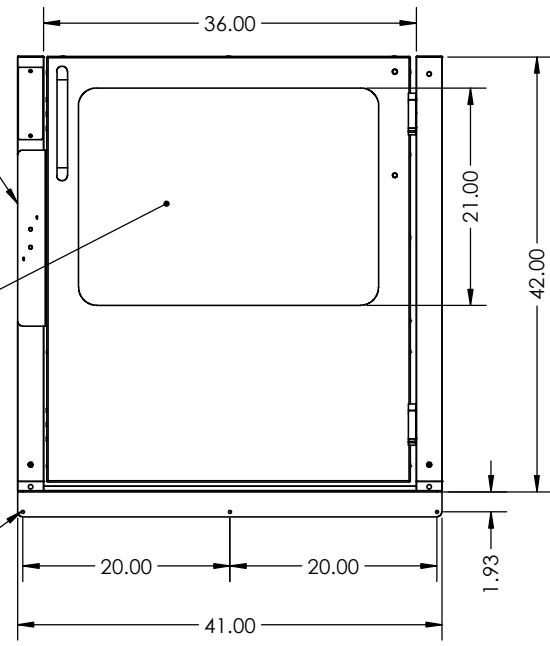
W/ WINDOW



INTERLOCK

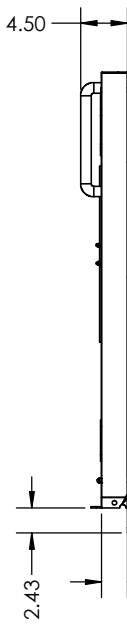
CLEAR ACRYLIC  
VISION PANEL

MOUNTING  
HOLES



4.50

INTERLOCK WIRING  
CHANNEL - EACH SIDE



**SHCA**  
Staying Home Corporation  
2501 Anaconda Rd  
Harrisonville, MO 64701  
816-380-2427  
www.stayinghome.com

TITLE: TOP LANDING GATE 36"		
SIZE B	DWG. NO. TYP-TLG36	REV
SCALE:	WEIGHT:	SHEET 1 OF 1

01/24/2019

8 7 6 5 4 3 2 1