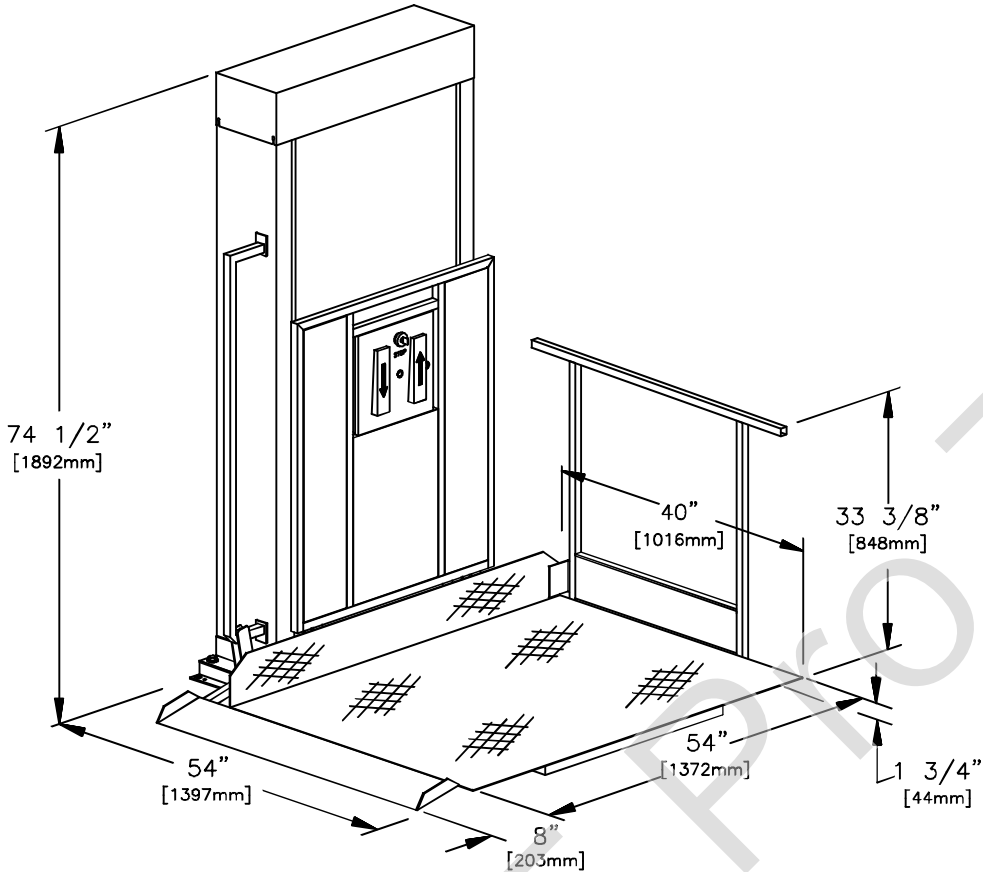


**SPECIFICATIONS:**

- 40" x 54" [1016mm x 1372mm] LIFT PLATFORM
- 54" x 54" [1372mm x 1372mm] FOOTPRINT
- 74 1/2" [1892mm] TOWER HEIGHT
- 0" - 52" [0mm - 1321mm] LIFT RANGE
- MAXIMUM LOAD 750 lbs. [340 Kg.]
- 8 F.P.M [0.04 m/s] LIFT SPEED
- SCREW NUT SYNCHRONOUS BELT DRIVE
- MOTOR: 1/2 H.P. 110V A.C.
- POWER SUPPLY: 110V/1PH/60HZ C/W 15A FUSED DISCON.
- NON-LOAD BEARING BACKUP SAFETY NUT ON LIFT SHAFT
- ZERO-LOAD START IN BOTTOM POSITION
- SAFETY HANDRAIL ON CARRIAGE

\*DOORS: - NONE



**TRUS-T-LIFT DIMENSIONS**

Accepted as Shown


Revise and Resubmit

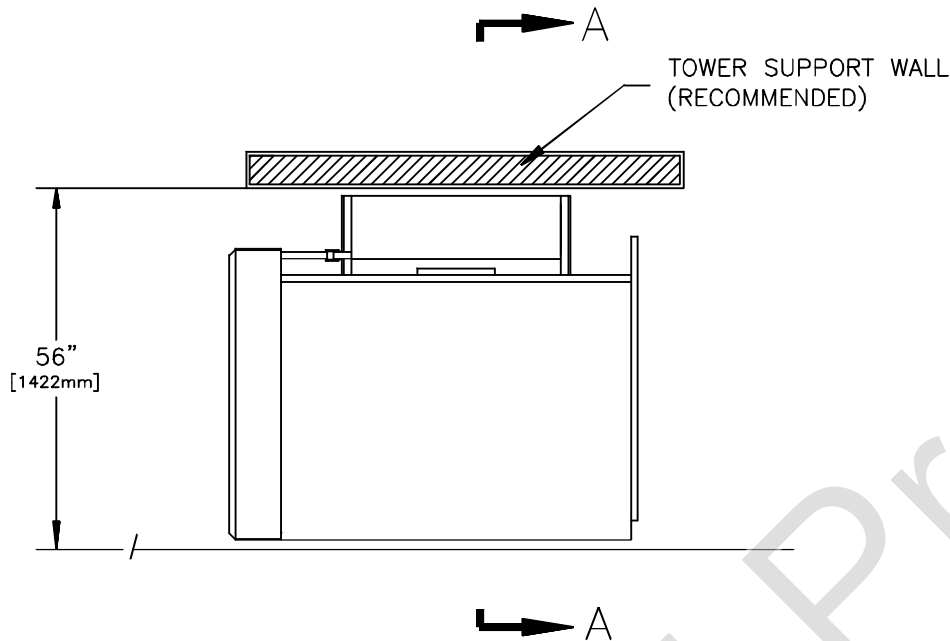
Accepted as Modified

Date: \_\_\_\_\_

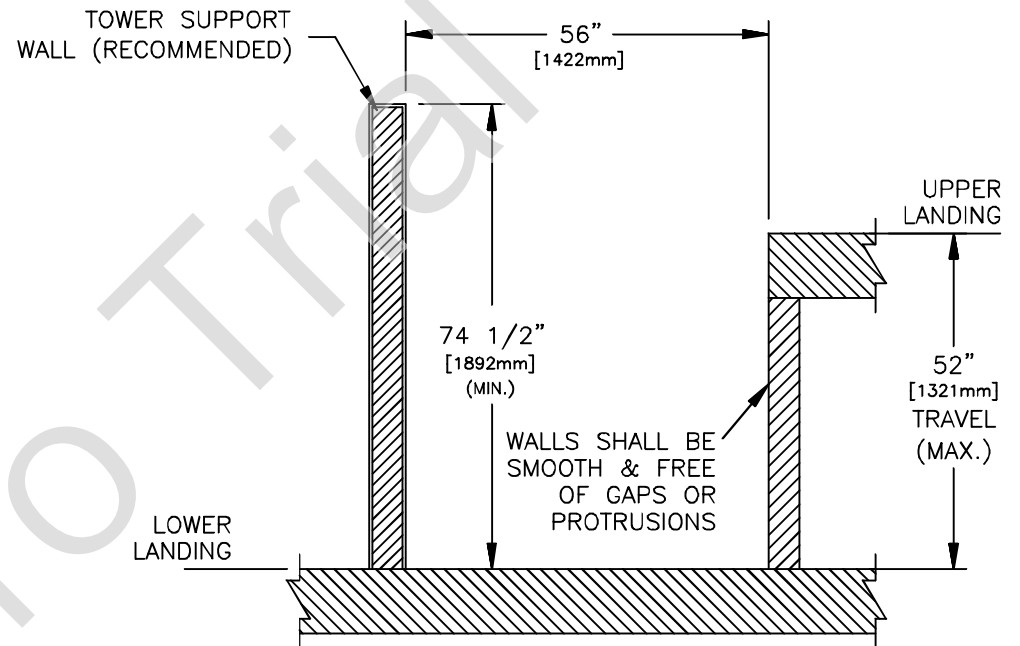
Per: \_\_\_\_\_

NOTES:  
- Dimensions are in inches & [mm]

TOTAL TRAVEL	52	INCHES	No. OF LANDINGS: 2	JOB No. -	SERIAL No. -	 <b>TRUS-T-LIFT ELEVATOR INSTALLATION DETAILS AND SPECIFICATIONS</b>			
LOCATION	-	mm							
ARCHITECT	-								
GENERAL CONTRACTOR	-								
DWN. BY:		V.G		SCALE:		DATE:		DRAWING No. 1/2	
CHECKED BY:		RAM		N.T.S.		12/11/2013		52URLDUNNNAT-750	
								REV A	



PLAN VIEW SECTION



SECTION A-A



DWN. BY:  
V.G

CHECKED BY:  
RAM

SCALE:  
N.T.S.

TRUS-T-LIFT ELEVATOR  
INSTALLATION DETAILS  
AND SPECIFICATIONS

DATE:  
12/11/2013

DRAWING No. 2/2  
52URLDUNNNAT-750

REV  
A

TOTAL TRAVEL	52 1321	INCHES mm	No. OF LANDINGS: 2	JOB No. -	SERIAL No. - S.O -
LOCATION	-	-	-	-	-
ARCHITECT	-	-	-	-	-
GENERAL CONTRACTOR	-	-	-	-	-