

SOLAR / OUTDOOR

CLASSIC
Legacy
STAIRLIFT®



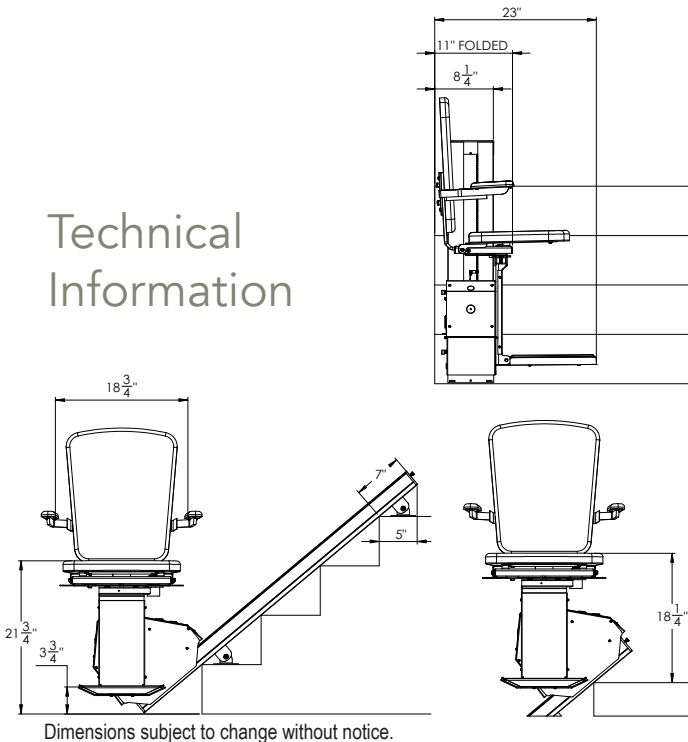
- No Electricity needed!
- Costs \$0 to operate
- First ever "Green" stairlift
- No unsightly conduit or costly electrical permits
- Developed in conjunction with Missouri University of Science and Technology
- Patent Pending



Standard Features:

- Folds to within 11" of the wall
- Attaches to stairs, not the wall
- Narrow, low profile track (2.5" tall x 6.5" wide)
- Footrest obstruction sensors with audio beep notification
- Rocker switch conveniently located on either side of seat
- Constant pressure controls
- Wireless remote controls for upper & lower landings
- Chassis mounted installation load switch
- Quickly installs on left or right side of stairway
- Rack and pinion drive with concealed gear rack
- Low-to-the-ground footrest
- 3" to 6" horizontal extension at top landing
- 25 to 45 degree angle applications
- 350 lbs capacity
- Proudly made in the USA!

Technical Information



Solar Options:

- High efficiency MPPT Solar Charge Controller for off-grid applications
- Innovative MPPT technology with high tracking efficiency up to 99%.
- MPPT (Maximum Power Point Tracking)
- 4-stage battery charging algorithm (Bulk, Boost, Float, and Equalization)
- Electronic protection: Overcharging, over-discharging, overload and short circuit.
- Controller monitors battery temperature and makes optimal adjustments
- 3 separate circuit breakers: Solar Panel-Controller, Battery Bank-Controller and Controller-Lift
- Error Codes are indicated on built in LCD screen for easy troubleshooting weather-resistant controller enclosure.
- Designed for combination of weather resistance and heat dissipation.
- LED meters on outside of enclosure display voltage of Solar Panel and Lift batteries.
- Lockable disconnect
- Knock-out mounting hole patterns for mounting to 2-3/8" diameter pole or wall mount.
- 25' of cable provided between Controller and Lift with sealed no strip easy-splice connector.
- If Controller is not mounted next to Solar Panel, PV cable extensions are optional (up to 300' max.), includes sealed MC4 disconnects.
- 8' galvanized pole for mounting Solar Panel and Controller Enclosure.
- Adjustable aluminum brackets allow for optimal adjustment of direction and seasonal solar tilt.
- Heavy duty cover

Warranty:

- 1 Year** warranty on BATTERIES
- 2 Year** warranty on PARTS
- 5 Year** warranty on DRIVE TRAIN & CIRCUIT BOARD



Staying Home Corporation
PO Box 37
Harrisonville, MO 64701
info@stayinghome.com
(p) 877-378-4275
(f) 816-380-1008