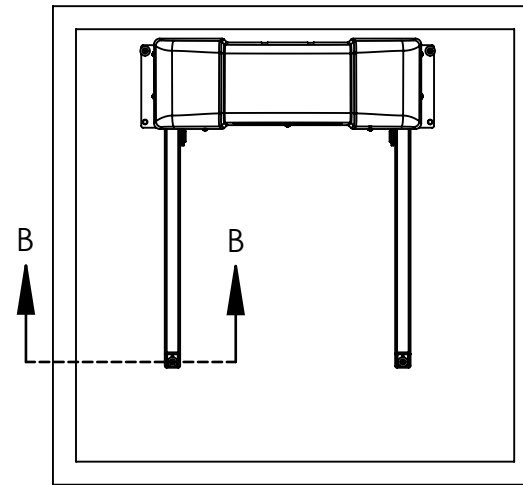
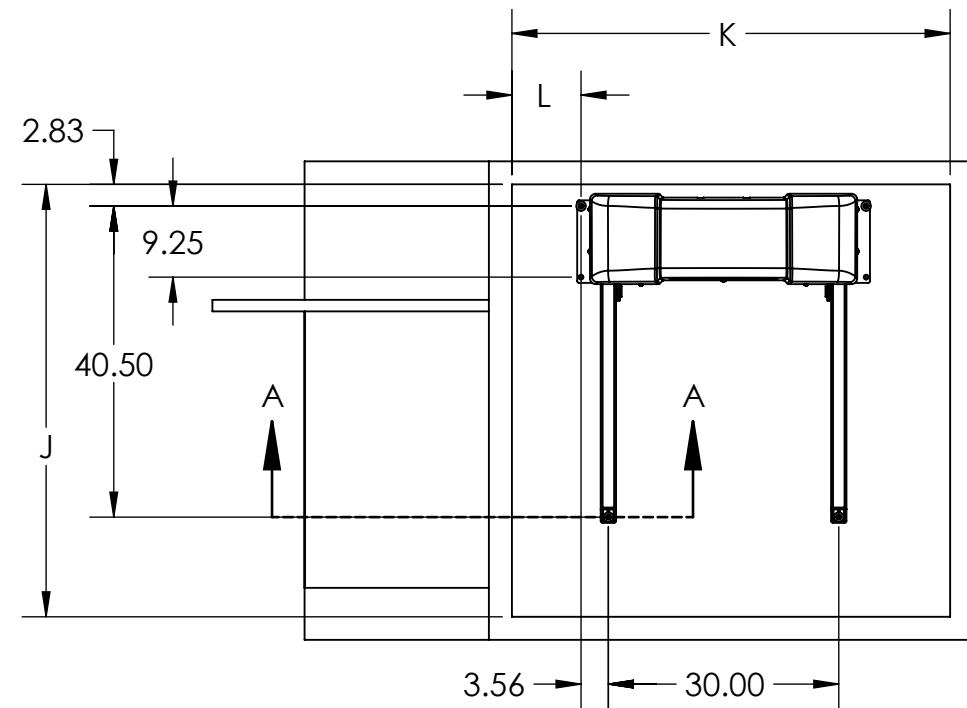
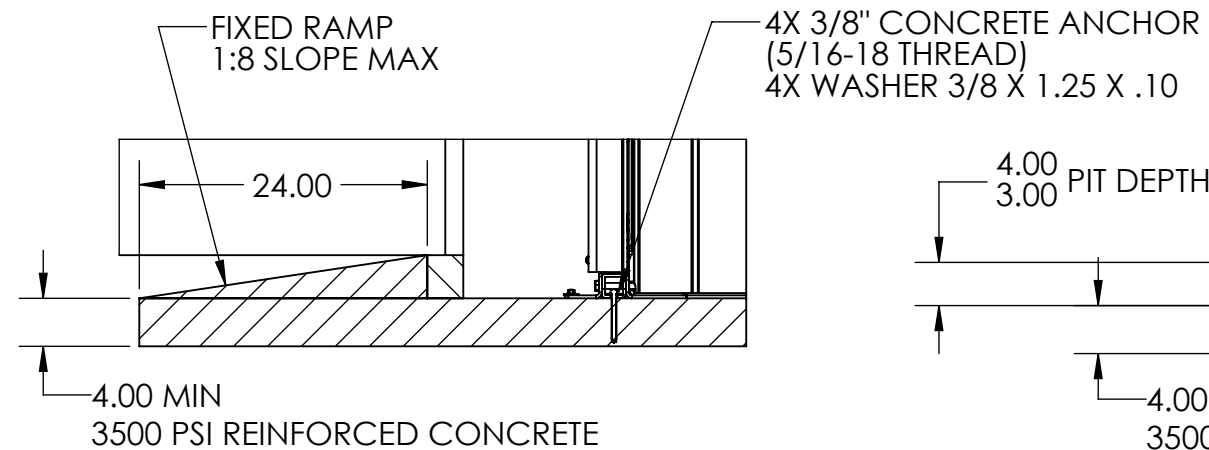


**TYPICAL DRAWING
VPL HOISTWAY
SAME SIDE EE PLATFORM**

REVISIONS				
REV.	DESCRIPTION	BY	CHK	DATE
-	See Sheet1	-	-	-

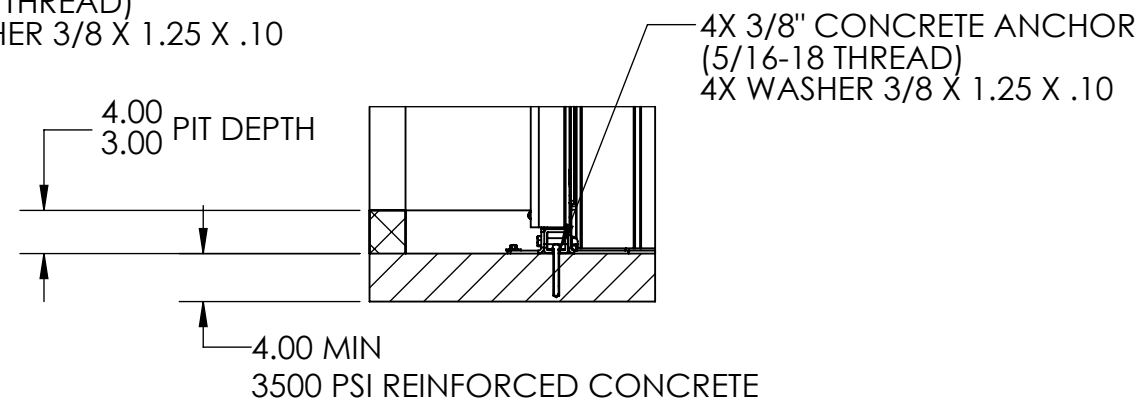


PAD DETAILS

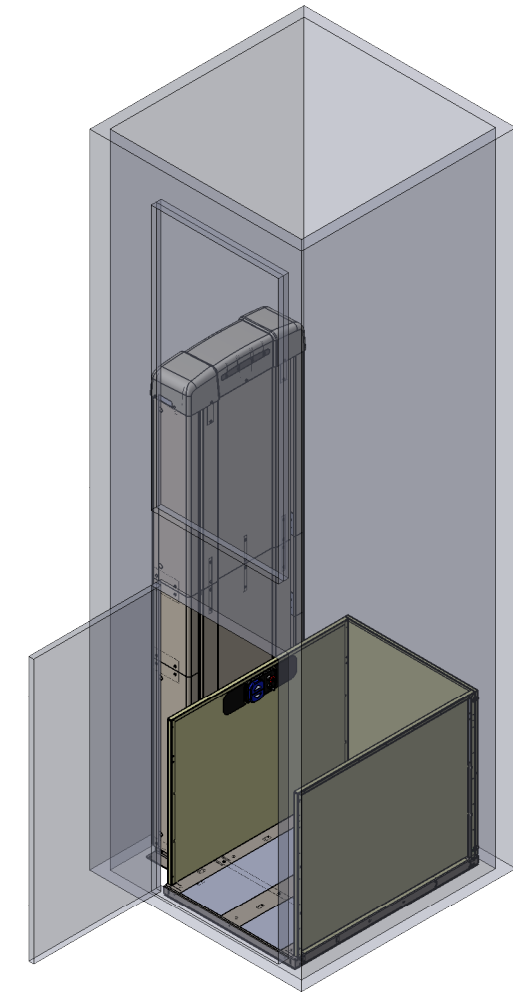


**SECTION A-A
THRU CONCRETE ANCHOR
NOT TO SCALE**

PIT DETAILS



**SECTION B-B
THRU CONCRETE ANCHOR
NOT TO SCALE**



HOISTWAY DIMENSIONS

PLATFORM	J	K	L
36" X 54"	55.81-56.81	56.37-57.75	9.00
36" X 60"	55.81-56.81	64.37-65.75	13.00
42" X 54"	61.81-62.81	56.37-57.75	9.00
42" X 60"	61.81-62.81	64.37-65.75	13.00

CONFIDENTIAL INFORMATION
NOT TO BE COPIED OR USED
WITHOUT WRITTEN CONSENT.
INTERPET DRAWING AND TOL
PER ASEM Y14.5 - 2009



UNLESS OTHERWISE SPECIFIED
DIMENSIONS ARE IN INCHES.
TOLERANCES ARE:

DECIMALS .X = ±0.1
.XX = ±0.02
.XXX = ±0.010

HOLES DIA'S = ±.005

ANGLES = ±1°

DO NOT MEASURE FROM DRAWING

DWG NO. **ENG-000846** REV **A**

DESCRIPTION
**TYPICAL DRAWING VPL HOISTWAY
SAME SIDE EE PLATFORM**

DRAWN BY		DATE
C POLSTER		17FEB20
SCALE: NTS	SIZE: B	SHEET 3 OF 4

4

3

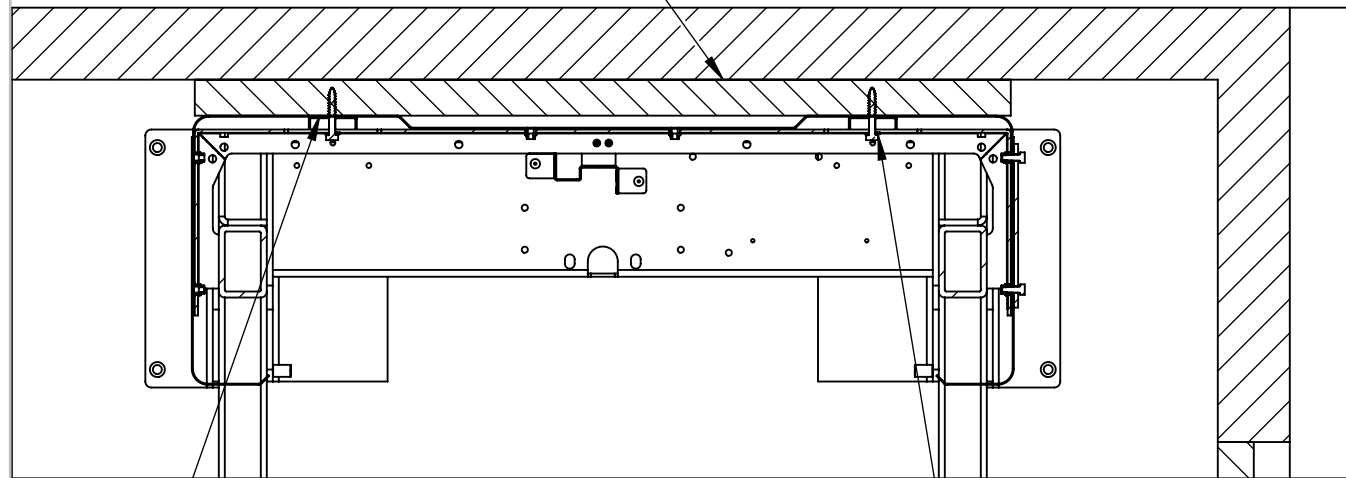
2

1

**TYPICAL DRAWING
VPL HOISTWAY
SAME SIDE EE PLATFORM**

REVISIONS				
REV.	DESCRIPTION	BY	CHK	DATE
-	See Sheet1	-	-	-

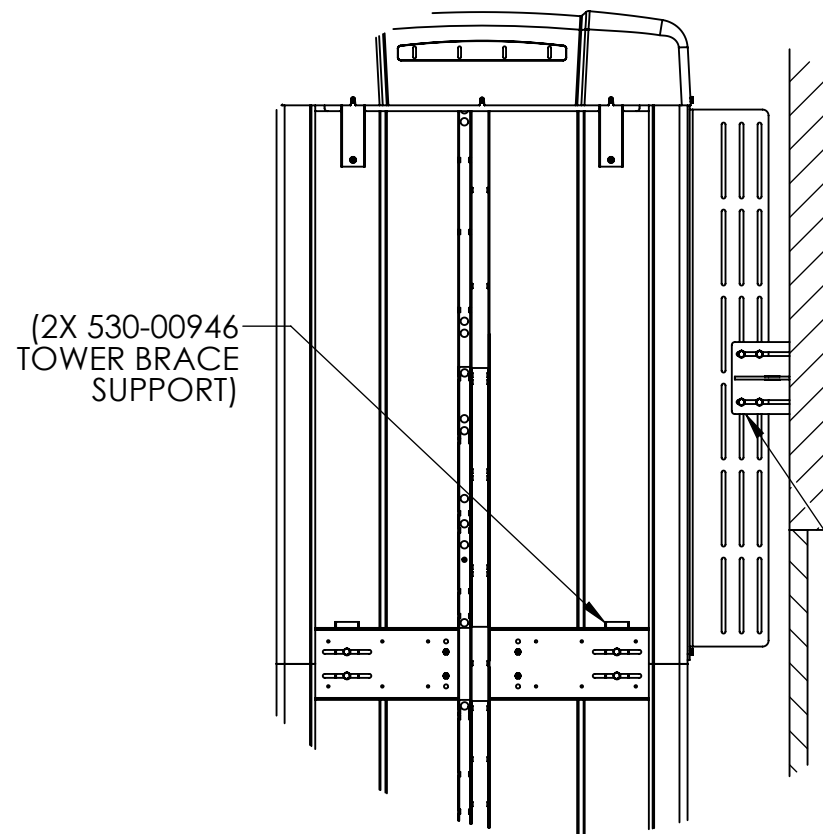
2 X 10 OR SIMILAR BACKING
(INSTALLER SUPPLIED)



**TOWER SUPPORT THROUGH
UPPER CROSS BRACING**

4X 5/16 X 2.00 LAG SCREWS
4X 5/16 LOCK WASHERS
(INSTALLER SUPPLIED)

2X 530-00946 TOWER BRACE
SUPPORT (INSIDE TOWER BETWEEN
CROSS BRACE AND REAR PANEL)
REFERENCED IN VIEW BELOW



(2X 530-00946
TOWER BRACE
SUPPORT)

140-00148 TOWER BRACE KIT (48/54L PLTFM) OR
140-00149 TOWER BRACE KIT (54/60L PLTFM)
(INCLUDES HARDWARE SHOWN)

**TOWER SUPPORT FROM
SIDE OF TOWER TO HOISTWAY**

Site Construction Details

Electrical Requirements:

Refer to NFPA 70 and all applicable codes for all electrical and wiring requirements.

Platform Pathway Requirements:

Ensure the platform pathway is sufficiently illuminated, clear of any electrical conduit and wireways and there is sufficient headroom clearance (minimum of 79"-2007mm) per ASME A18.1 throughout floor-to-floor travel.

Floor Recommendations:

A 4" (102mm) thick, 3500 PSI minimum compressive strength, reinforced concrete pad is recommended.

Tower Floor Anchoring:

VPL must be fastened to concrete pad using a minimum of four (4) 3/8" (5/16" bolt) x minimum 2-1/2" long concrete anchors suitable for the environment. Refer to Pad Details on sheet 3 for mounting hole locations. Follow selected concrete anchor manufacturer's guidelines and all applicable codes.

Tower Support:

Tower support is not required on lifts with travel under 8 feet. Lifts with travel of 8 feet or more are required to be supported appropriately. See views at left or installation manual for more details.

Top Landing Gate Attachment:

Refer to landing gate detail pages.

Platform to Top of Landing Sill Clearance:

ASME A18.1 code stipulates the platform-to-sill clearance at the upper landing shall not be less than 3/8" (9.5mm) nor exceed 3/4" (19.1mm). Follow all applicable codes.

Hoistway Wall Requirements:

ASME A18.1 code stipulates that fascia should be smooth and/or non-perforated that guards the full length and width of the platform. Follow all applicable codes.

<small>CONFIDENTIAL INFORMATION NOT TO BE COPIED OR USED WITHOUT WRITTEN CONSENT. INTERPRET DRAWING AND TOL PER ASEM Y14.5 - 2009</small>		
	DWG NO. ENG-000846	REV A
<small>UNLESS OTHERWISE SPECIFIED DIMENSIONS ARE IN INCHES. TOLERANCES ARE:</small>	DESCRIPTION TYPICAL DRAWING VPL HOISTWAY SAME SIDE EE PLATFORM	
DECIMALS .X = ±0.1 .XX = ±0.02 .XXX = ±0.010	DRAWN BY C POLSTER	DATE 17FEB20
HOLE DIA'S = ±.005 ANGLES = ±1°	SCALE NTS SIZE: B	SHEET 4 OF 4
<small>DO NOT MEASURE FROM DRAWING</small>		

8

7

6

5

4

3

2

1