



"WE MAKE THE KITCHEN BETTER!"

ATOSA USA, INC.

Toll Free: 855-855-0399 Email: info@atosausa.com

www.atosa.com | www.atosausa.com

California, Colorado, Florida, Georgia, Illinois,
New Jersey, Ohio, Texas, Washington

Glass Frosters

MODELS:

MBGF24GR / MBGF48GR

Standard Features

- Stainless steel exterior & interior
- Electronic temperature controller
- Maintains temperatures between -8°F – 0°F
- Chills glasses and plates to 0°F
- Heavy duty compressor with environmentally friendly R290 refrigerant
- Slide out compressor assembly for easy maintenance
- Easy glide stainless steel lid(s) with handle(s)
- Lid lock(s) standard
- Pre-installed casters



MBGF24GR



MBGF48GR

For the best results of food preservation we recommend setting your refrigerator between 33°F to 38 °F

1. Don't forget to leave the unit some room to breathe!
2. Please clean the condenser frequently to give the unit more fresh air.



2 YEAR PARTS AND LABOR WARRANTY
5 YEAR COMPRESSOR PART WARRANTY





"WE MAKE THE KITCHEN BETTER!"

ATOSA USA, INC.

Toll Free: 855-855-0399 Email: info@atosausa.com

www.atosa.com | www.atosausa.com

California, Colorado, Florida, Georgia, Illinois,

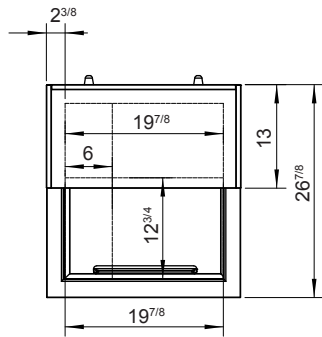
New Jersey, Ohio, Texas, Washington

SPECIFICATIONS

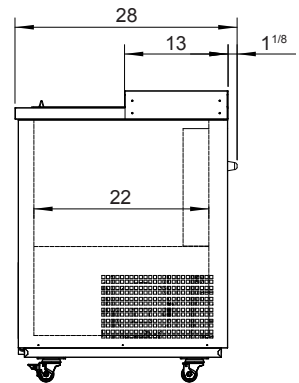
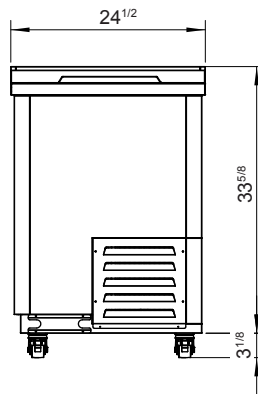
Models	Capacity (Cu.Ft.)	Shelf (pcs)	Casters (inch)	Amps (A)	Voltage (V/Hz/Ph)	HP	Refrigerant	Exterior Dimensions (inch)	Net Weight (lbs)	Gross Weight (lbs)
MBGF24GR	5	4	2	3.4	115/60/1	2/5	R290	24 ^{1/2} × 28 × 36 ^{3/4}	194	216
MBGF48GR	13.1	9	2	4.7	115/60/1	1/2	R290	49 ^{1/2} × 28 × 36 ^{3/4}	271	315

PLAN VIEW

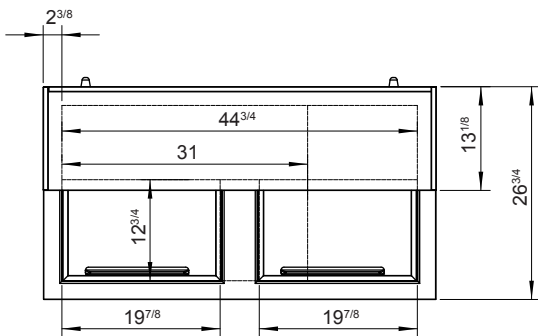
MBGF24GR



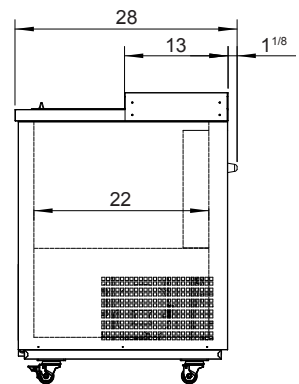
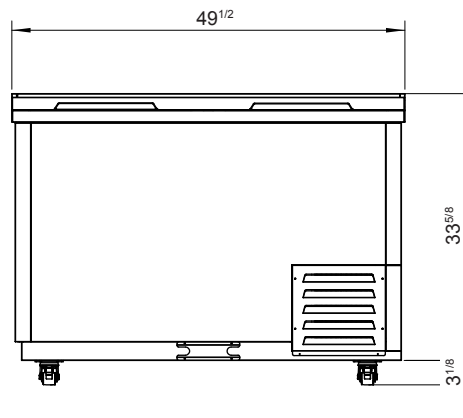
SIDE VIEW



MBGF48GR



SIDE VIEW



Stainless steel lids

