



SSC-53 SUSHI CASES

INCLUDE 2 YEAR PARTS + LABOR / 5 YEAR COMPRESSOR WARRANTY

Dimensions

Outside Dimensions (HxWxD)	15.98" x 55.63" x 12.52"
Packaging Dimensions (HxWxD)	18.9" x 60.43" x 14.76"
Net Weight	89.3 lbs
Gross Weight	84.87 lbs
Gross Volume (LTR)	52
40' HC Container Load (PCS)	224

Cooling

Refrigerant (Type/Gram)	R290/32
Cooling Method	Ventilated
Controller	Digital
Climate Class	4
Temperature Display	Yes
Temperature Controller	Digital
Temperature Range	32°F-53.6°F

Construction

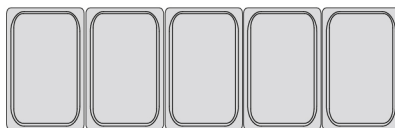
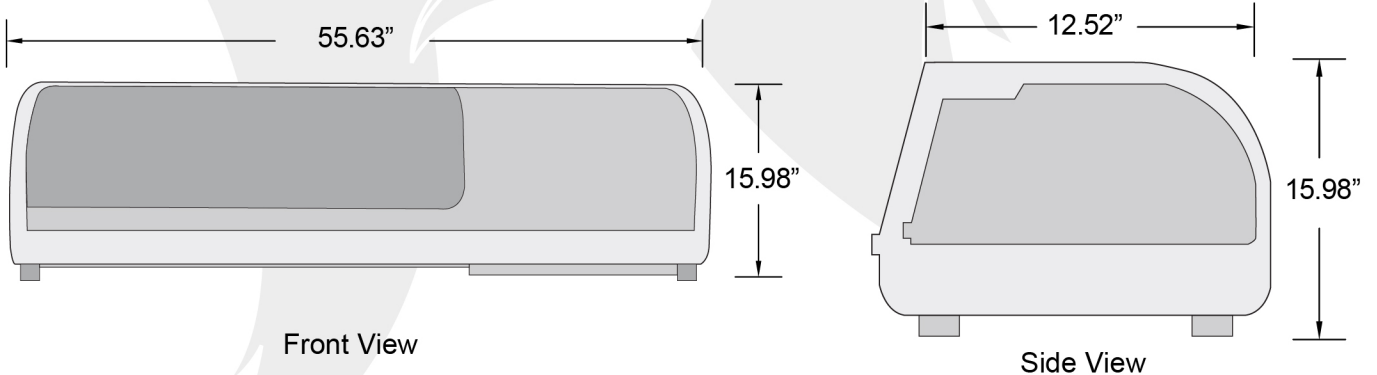
Number of Pans	5* 1/3 GN Pans
Adjustable Shelves	No
Pan Materials	Stainless Steel
Length of Cord	70.8"
Insulation Material	C5H140
Internal Lighting	LED on top
LED Control Panel	Yes
Night Curtain	No
External Thermometer	Yes
Lock and Key	No
Feet / Adjustable feet	4* stable feet

Electrical

Voltage	110
Hz	60
Watt	180
Running AMPS	1.83



Intertek
COMPLIES WITH ANSI/NSF 7
FOR FOOD SERVICE



5* 1/3 GN Pans