



"WE MAKE THE KITCHEN BETTER!"

ATOSA USA, INC.

Toll Free: 855-855-0399 Email: info@atosausa.com

www.atosa.com | www.atosausa.com

California, Colorado, Florida, Georgia, Illinois, New Jersey, Ohio, Texas, Washington

Slim Sandwich Prep. Table

Standard Features

- Stainless steel exterior & interior
- Bottom mount compressor with environmentally friendly R290 refrigerant
- Full electronic controller
- Maintains temperatures between 33°F - 40°F
- Stainless steel pan liner
- Recessed door handle
- Self-closing door with stay open feature
- Magnetic door gasket standard for positive door seal
- Two pre-installed shelves standard
- Stainless steel night cover
- Pre-installed casters
- Field reversible door
- Standard with (1) 1/2 and (1) 1/3 size pans, will hold (8) 1/6 size pans

MODELS:

MSF17GR



For the best results of food preservation we recommend setting your refrigerator between 33°F to 38 °F

1. Don't forget to leave the unit some room to breathe!
2. Please clean the condenser frequently to give the unit more fresh air.



2 YEAR PARTS AND LABOR WARRANTY
5 YEAR COMPRESSOR PART WARRANTY





"WE MAKE THE KITCHEN BETTER!"

ATOSA USA, INC.

Toll Free: 855-855-0399 Email: info@atosausa.com

www.atosa.com | www.atosausa.com

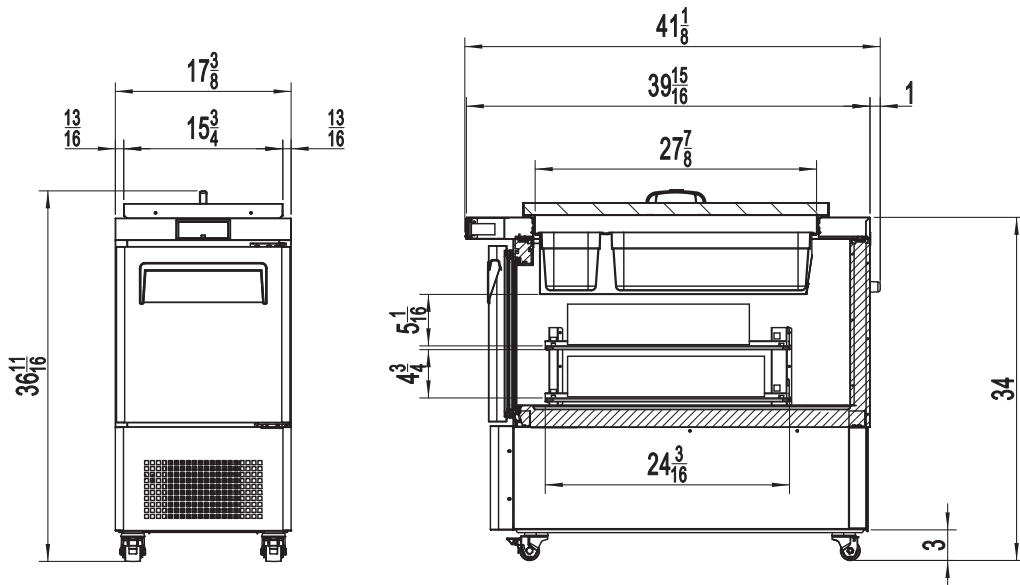
California, Colorado, Florida, Georgia, Illinois,

New Jersey, Ohio, Texas, Washington

SPECIFICATIONS

Models	Door	Capacity (Cu.Ft.)	Shelves	Casters (inch)	Amps (A)	Voltage (V/Hz/Ph)	HP	Refrigerant	Exterior Dimensions (inch)	Net Weight (lbs)	Gross Weight (lbs)
MSF17GR	1	3.7	2	2	2.9	115/60/1	1/5	R290	17 ³ / ₈ ×41 ¹ / ₈ ×36 ¹¹ / ₁₆	180	214

PLAN VIEW



SIDE VIEW

Top View



Open View

