



“WE MAKE THE KITCHEN BETTER!”

ATOSA USA, INC.

Toll Free: 855-855-0399 Email: info@atosausa.com

www.atosa.com | www.atosausa.com

California, Colorado, Florida, Georgia, Illinois,
New Jersey, Ohio, Texas, Washington

Refrigerated Countertop Prep Station

Standard Features

- Stainless steel exterior & interior
- Electronic temperature controller
- Side mount compressor with environmentally friendly R290 refrigerant
- Maintains temperatures between 33°F - 38°F
- Includes (10) 1/6 size 6” deep poly pans

MODELS:
MSCT-48-10



For the best results of food preservation we recommend setting your refrigerator between 33°F to 38 °F

1. Don't forget to leave the unit some room to breathe!
2. Please clean the condenser frequently to give the unit more fresh air.



2 YEAR PARTS AND LABOR WARRANTY
5 YEAR COMPRESSOR PART WARRANTY





"WE MAKE THE KITCHEN BETTER!"

ATOSA USA, INC.

Toll Free: 855-855-0399 Email: info@atosausa.com

www.atosa.com | www.atosausa.com

California, Colorado, Florida, Georgia, Illinois,

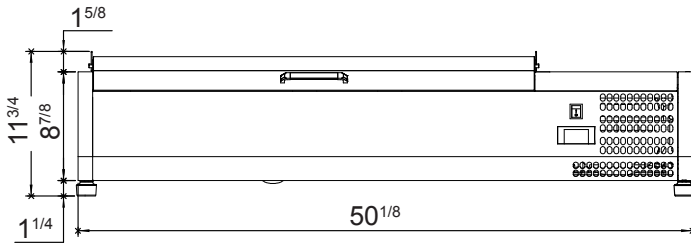
New Jersey, Ohio, Texas, Washington

SPECIFICATIONS

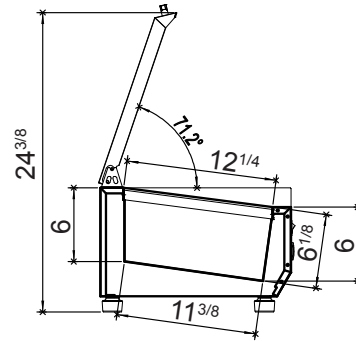
Models	Door	Capacity (Cu.Ft.)	Voltage (V/Hz/Ph)	Power (W)	Rated Current (A)	Energy Consumption (kw/day)	HP	Refrigerant	Exterior Dimensions (inch)	Net Weight (lbs)	Gross Weight (lbs)
MSCT-48-10	1	1.5	115/60/1	180	1.7	0.51	1/7	R290	50 ^{1/8} ×15 ^{9/16} ×10 ^{9/16}	61.7	108

PLAN VIEW

MSCT-48-10



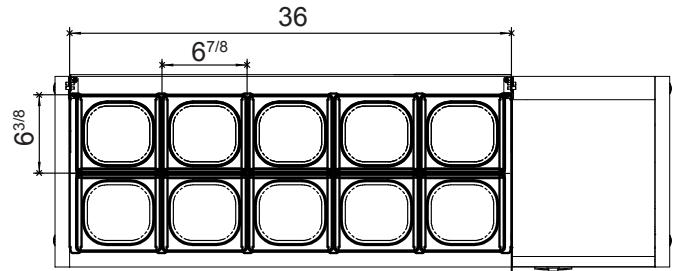
Front View



Side View



Top View



Interior

