

## BLAST CHILLERS

Eurodib blast chillers by Gemm are ideal for chefs, pastry and ice cream makers who depend on reliability and simplicity. They are fitted with an intuitive and user-friendly electronic control panel, which allows chilling cycles to be set extremely rapidly.

Chilling or Freezing cycles can be set via time or core-probe inserted into the core of the product.

- Incorporated condensing unit
- Option of soft/hard chilling or freezing
- Automatic defrost system with pause



\* Available in US only \*

**Power\***

**BCB 05US 115V\***  
115V, 1540W, 12.8A,  
2.1HP, 5-20P

**BCB 05US 230V**

208-230V, 1865W,  
10.5A, 1HP, 6-20P

**BCB 10US**

208-230V, 3105W,  
13.5A, 1.5HP, 6-20P

**BCB 15US**

208-240V, 3PH, 3815W,  
12.5A, 5.1HP, Hardwire

**Refrigerated power\*\***

3242 BTU/hr, 950W

4128 BTU/hr, 1210W

6005 BTU/hr, 1760W

8260 BTU/hr, 2430W

**Refrigerant gas**

R404A

R449A

R449A

R449A

**Net weight**

243 lbs

293 lbs

370 lbs

494 lbs

**Ship dim. (L x W x H)**

37" x 37" x 44"

37" x 37" x 44"

37" x 37" x 68.5"

36.25" x 36.25" x 82.75"

**Ship weight**

278 lbs

333 lbs

406 lbs

538 lbs

**Exterior dim. (L x W x H)**

30.75" x 34" x 37.75"

34" x 34" x 61.5"

34" x 34" x 75"

**Chamber dimensions**

15" x 19.5" x 28.75"

20.3" x 29.75" x 32.75"

19.5" x 28.75" x 45.5"

**Tray capacity (L x W)\***

5 x (18" x 26")

10 x (18" x 26")

15 x (18" x 26")

**Total volume capacity**

5 CuFt (142 L)

11 CuFt (311 L)

15 CuFt (425 L)

**Chilling capacity**

90°C to 3°C = 26 kg  
(197°F to 37°F = 57 lbs)

90°C to 3°C = 34 kg  
(197°F to 37°F = 75 lbs)

90°C to 3°C = 50 kg  
(197°F to 37°F = 110 lbs)

**Freezing capacity**

90°C to -16°C = 22 kg  
(197°F to 0°F = 35 lbs)

90°C to -18°C = 22 kg  
(197°F to 0°F = 48.5 lbs)

90°C to -18°C = 38 kg  
(197°F to 0°F = 83 lbs)

\* Shelves/trays not included

**Climatic class 5**

\*Ambient Temperature 89.6°F (32°C); Evap. 14°F (-10°C); Cond. 113°F (45°C); 50% Relative Humidity.

\*\*Ambient Temperature 104°F (40°C); Evap. -9.94°F (-23.3°C); Cond. 129.9°F (54.4°C); 40% Relative Humidity.

The chilling cycle allows a reduction of the internal temperature from 70°C (158°F) to 3°C (37.4°F) in 90 minutes (max).

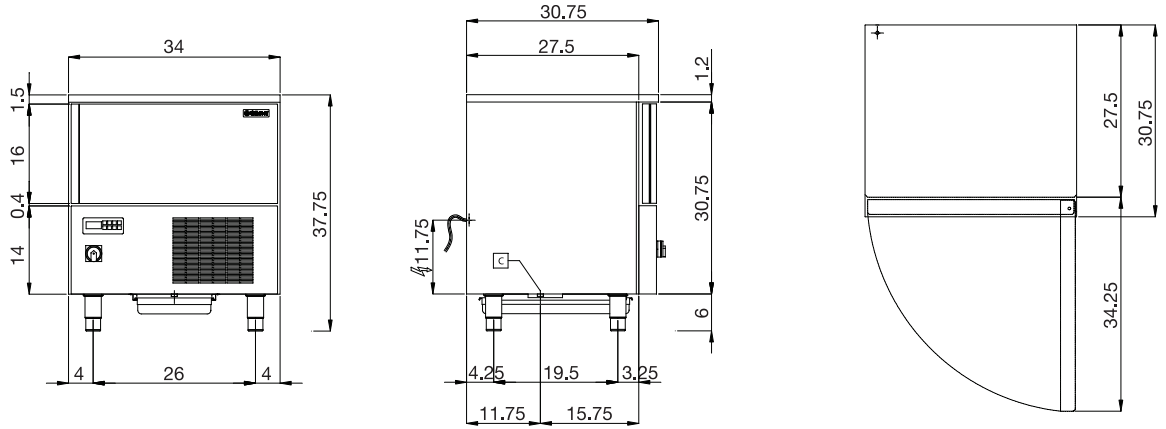
The freezing cycle allows a reduction of the internal temperature from 70°C (158°F) to -18°C (-0.4°F) in 240 minutes (max).



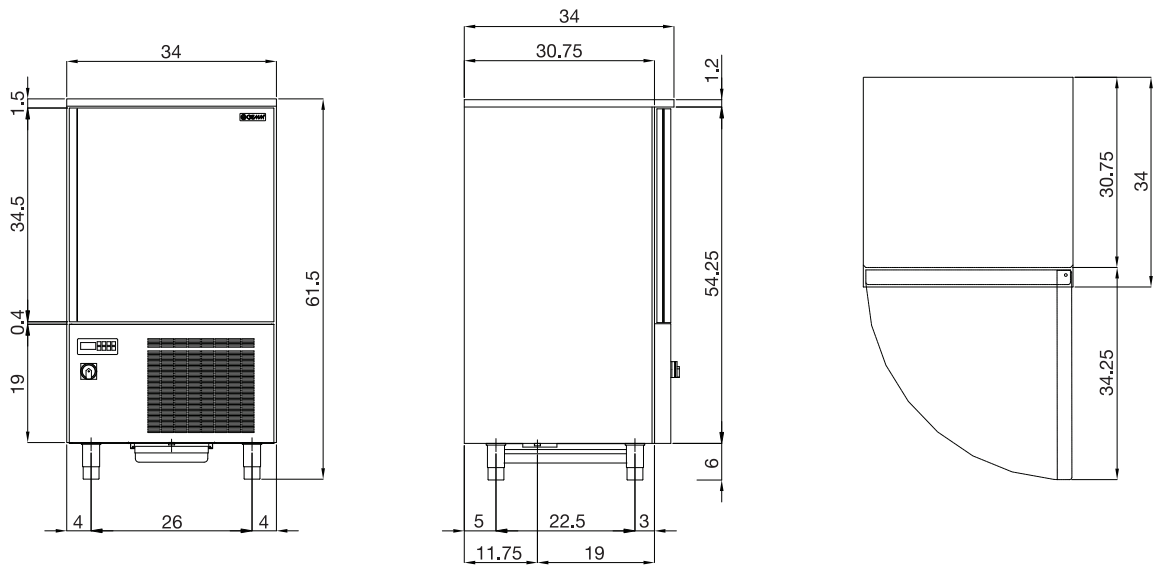
Warranty  
(1) year parts and labor

# BLAST CHILLERS

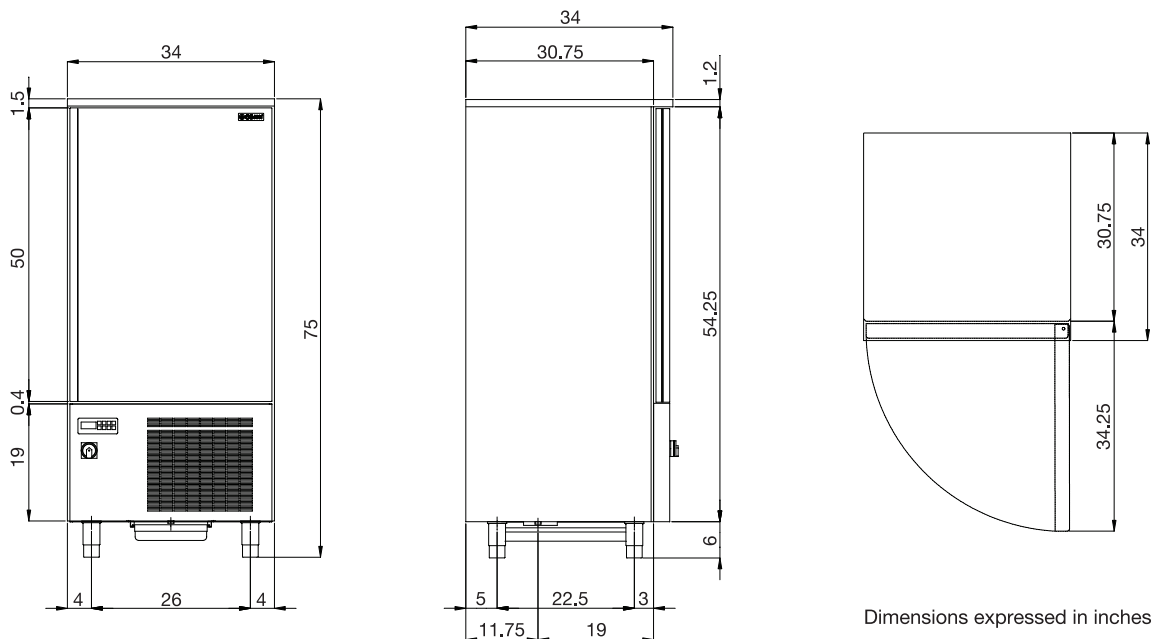
**BCB 05US**



**BCB 10US**



**BCB 15US**



Dimensions expressed in inches