

## COP-174W Hood-type, High-temperature Dishwasher



\*ENERGY SAVINGS



EFFI WASH

EFFI RINSE

SOFT LIFT

STAMPED PHILOSOPHY

MULTI CONNECTION BOX

SOFT START

### QUICK VIEW

Dimensions: W x D x H	24 3/4" x 29 1/2" x 57 2/3"
Weight (net/crated) lbs	250 / 274
Voltage	208-240V/1-3Ph/60Hz
Total power	12.77 - 18.76 KW
Wash pump	1 hp
Water Consumption Per Rack	0.53 gal.
Water Consumption Per Hour (Max)	31.8 gal.
Water Inlet Temperature	120°F - 140°F

### SHORT DESCRIPTION

Fagor EVO Concept Plus dishwasher model COP-174W is a high-temperature unit that sanitizes dishes with hot water instead of chemicals. The Concept Plus dishwashers have the following features: Effi Wash, Effi Rinse, Soft Start, Multi-tension, and Soft Lift counterbalanced hood systems.

The unit is constructed with ANSI 304 stainless-steel, stamped design including wash tank, guides and control panel. IPX4 - Protection against water jets - control panel. Built-in detergent pump and rinse-aid dispenser. 17" clearance for ware. Corner or straight-through operations.

Each unit comes standard with one (1) flat rack, one (1) peg rack and one (1) cutlery container.

Fagor's Concept + range of dishwashers offer a highly efficient and effective washing and rinsing system, becoming the perfect solution for those locations with a low-pressure water network and high production requirements. They are made in durable stainless steel, with electromechanical components and simple digital controls for a user-friendly operation.

### Production:

60 Racks per hour  
Standard rack size 20" x 20"

### Functions and Benefits

- **Effi Wash:** Optimized hydraulic system provides a strong mechanical action combined with the optimum clean water in the tank. Balanced power keeps the perfect sanitation temperature during the cycle of the wash..
- **Effi Rinse:** Built-in water pressure pump and air break system assuring the best sanitation result, with a linear 180°F full rinsing cycle. It also works with low input water pressure, fitting in installations that do not reach the minimum recommended 15 -25 psi.
- **Soft Start:** Wash-pump power control that prevents wares from damage at the beginning of the washing cycle while assuring a low noise level in your facility.
- **Digital Controls:** simple digital control panel for intuitive and user-friendly operation.

### Construction

- **Stainless steel body structure with stamped design** (wash tank, rack guides, control panel), made to resist heavy usage.
- AISI-304 Stainless steel. Independent wash & rinsing arms, tray filters.
- Field adjustable **straight-through or corner** operations.
- Higher clearance: 17".
- Advance **soft-lift** counterbalanced system and magnetic switch for the hood.
- **IPX4** - Stronger protection against water hose cleaning and external humidity.
- **Multi-connection box:** Conveniently located electrical box for easy access that improves maintenance and allows for single or three phase and multi-tension connection in the field.
- Built-in **detergent and rinse-aid dispenser.**
- Built-in **rinse pump.**

### Accessories

- Racks for dishes, glasses and trays
- Cutlery containers
- Drain tempering valve



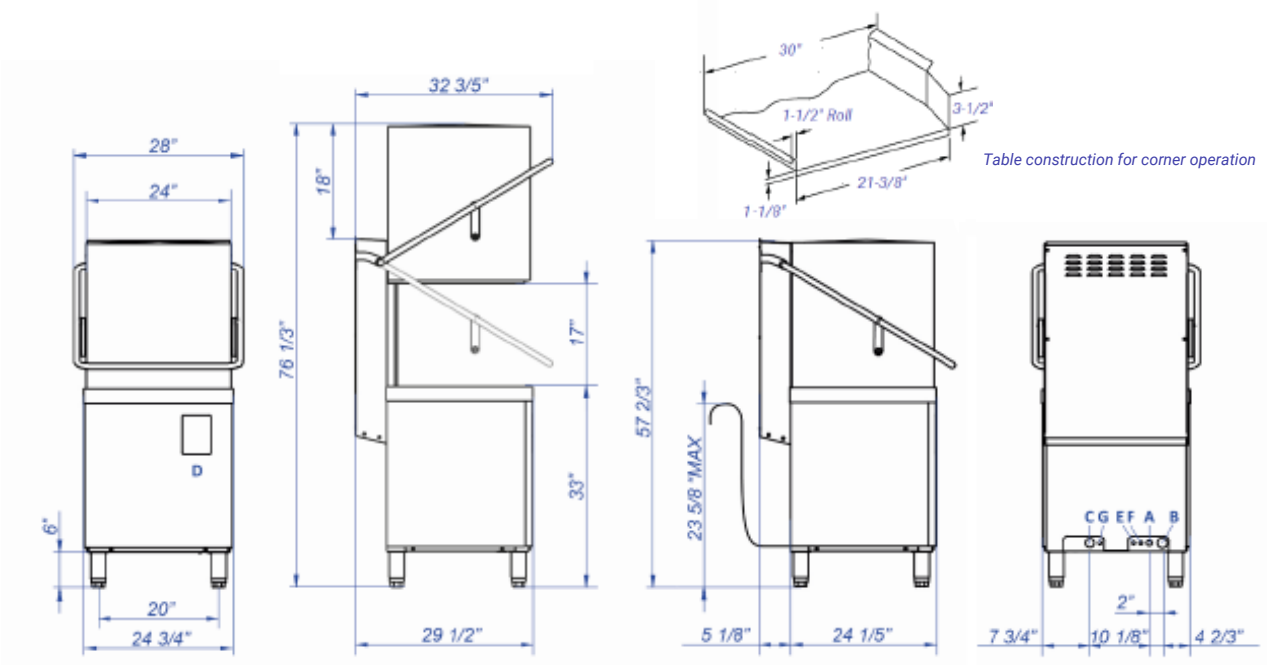


Table construction for corner operation

A	B	C	D	E	F	G
Water inlet *	Drain hose **	Power supply cable, strain relief	Connection Strip (Inside)	Rinse aid inlet	Detergent inlet	Equipotential bond ***
<p>* Water inlet 3/4" female hose connector on 5' long flexible hose supplied with machine. Adaptor for 3/4" female garden hose fitting also supplied. 120°-140°F optimum water temperature; 20 -25 psi flow rinse pressure.</p> <p>** Drain 5' long, 1/2" I.D. flexible hose. Maximum 26 3/4" drain height permits indirect connection to drain pump.*** Protection from dangerous potential differences</p>						

SPECIFICATIONS	COP-174W	
Wash Cycles (seconds)	55-75-120	
Continuous cycle	•	
Electronic control panel and digital display	•	
Productivity (*)		
Racks/hour	60	
Dishes/hour	1500	
Glasses/hour	2160	
Standard Rack size (inches)	19 3/4 x 19 3/4	
Weight (Net/ Crated ) lbs	347 / 363	
Dimensions (inches)		
	Units	Shipping
Width	24 3/4	30
Depth	29 1/2	35
Height	57 2/3	63
Useful Loading Height (clearance)	17 3/8	
Open Hood Height	81 1/3	
Capacity (gallons)		
Wash Tank	8.70	
Boiler	2.37	
Water consumption per cycle	0.53	

(\*) Assumed 25 dishes and 36 glasses per rack

SPECIFICATIONS	COP-174W		
Wash pump motor (HP)	1		
Power (kW)			
Tank heating element	3.27 - 4.29		
Boiler/Booster heating element	8.71 / 13.07		
Wash pump(s)	3.31		
Rinse pressure pump	0.26		
Total power	12.77 - 18.76		
Working Temperature (°F)			
Washing	150		
Rinsing	180		
AMP for 60 Hz			
Volts	1 Phase (2/3 Power)	3 Phase (Full Power)	
208	46.12	40.33	
220	48.78	42.65	
240	53.22	46.53	
Water Protection Rating	IPX4		
Noise level (dBA)	<65		
Detergent & water pump	•		

The manufacturer reserves the rights to modify materials and specifications without notice.