

Bell Wall Sconce

Crawl Glazed

An ultra-thin slip cast porcelain shade in a modern curved shape is covered in a white crawl glaze and accented by all brass hardware. When lit, light can be seen through the semi-translucent shade where the glaze has pulled away, highlighting the unique surface texture. Lamp is backed by a matching raw porcelain canopy.

SPECIFICATIONS

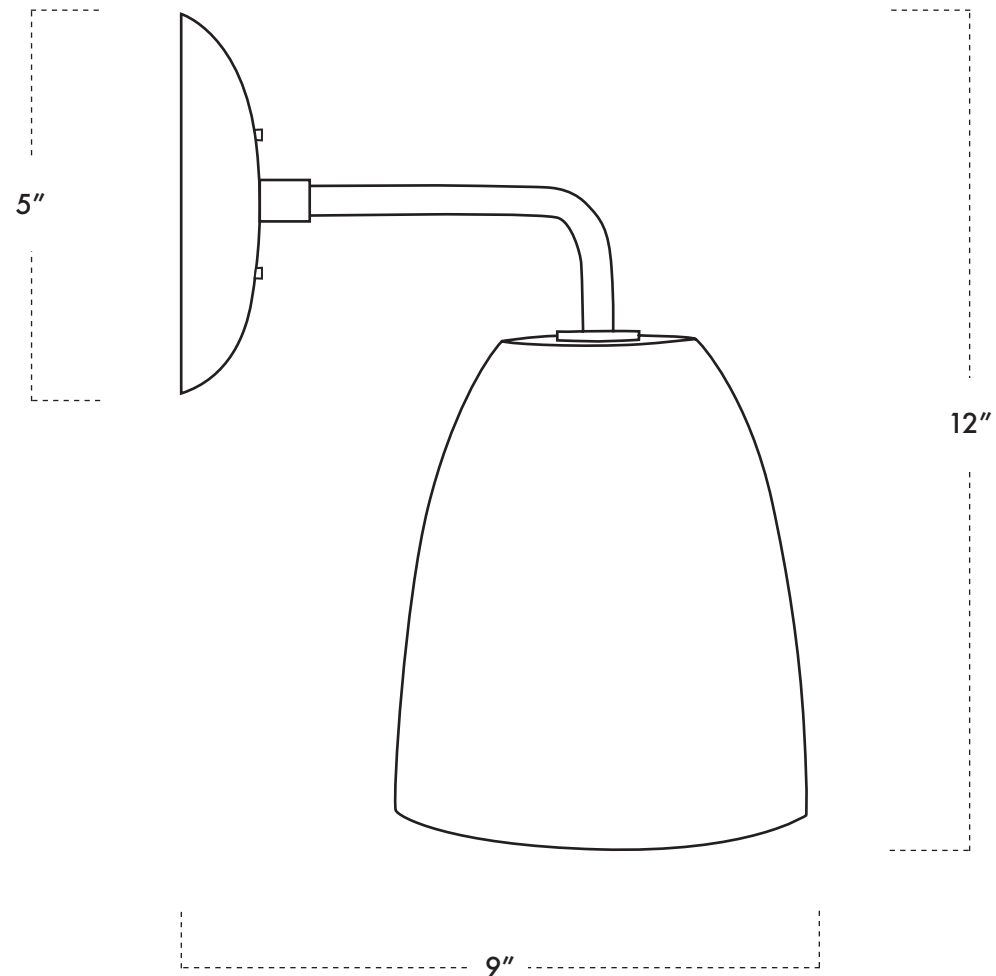
Overall size // 9" D x 12" H
Canopy // 5" Ø x .5" D - Brass
Weight // 3 lbs

Wall mount only.

LAMPING

75 w Max wattage
(1) Medium E26 Socket
120 - 240 V
Hardwired only.
All parts UL compliant.
Add UL certification fee for commercial.

Fabricated in Portland, Oregon from domestic and self-produced components.



PIGEON TOE

424 N Tillamook Street, Portland, OR 97227
+1 503 709 5479 | pigeon.toe.ceramics.com

© 2019 PIGEON TOE® CERAMICS LLC