

## BEADED PENDANT LAMP

Saucers

Our beaded pendants bridge jewelry and home decor in a playful and modern way. Two styles of graphic tinted ceramic beads - saucers + spheres - in tinted matte porcelain - are strung together with contrasting brass hardware. Designed for mixing in clusters or large group installations, these lamps also shine alone to brighten any corner of the home.



### SPECIFICATIONS

Overall size // Fixture height to order,  
Min height 16", includes up to 60"

Canopy // 5" Ø x .5" D - Brass

Weight // 4.75 lbs

18/3 SVT Fabric Covered Cord: Olive or Gray



### LAMPING

75 w Max wattage

(1) Medium E26 Socket, G16 shown

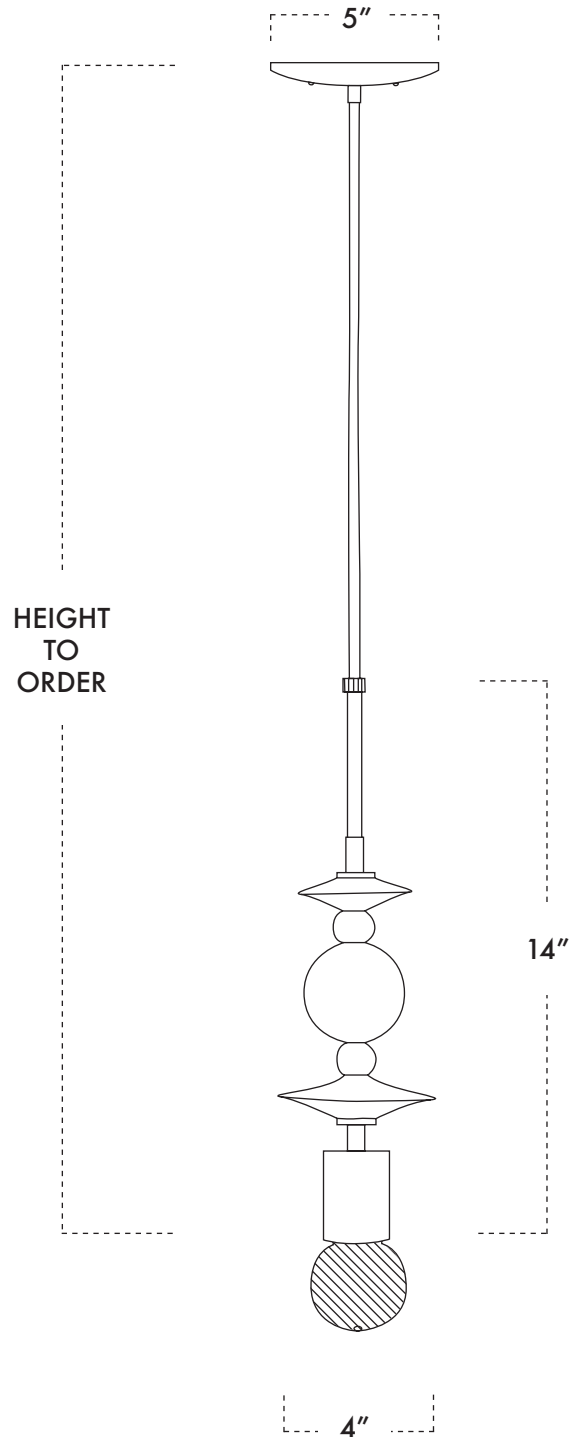
120 - 240 V

Hardwired only.

All parts UL compliant.

Add UL certification fee for commercial.

Fabricated in Portland, Oregon from  
domestic and self-produced components.



# PIGEON TOE

424 N Tillamook Street, Portland, OR 97227  
+1 503 709 5479 | pigeontoceramics.com

© 2019 PIGEON TOE® CERAMICS LLC