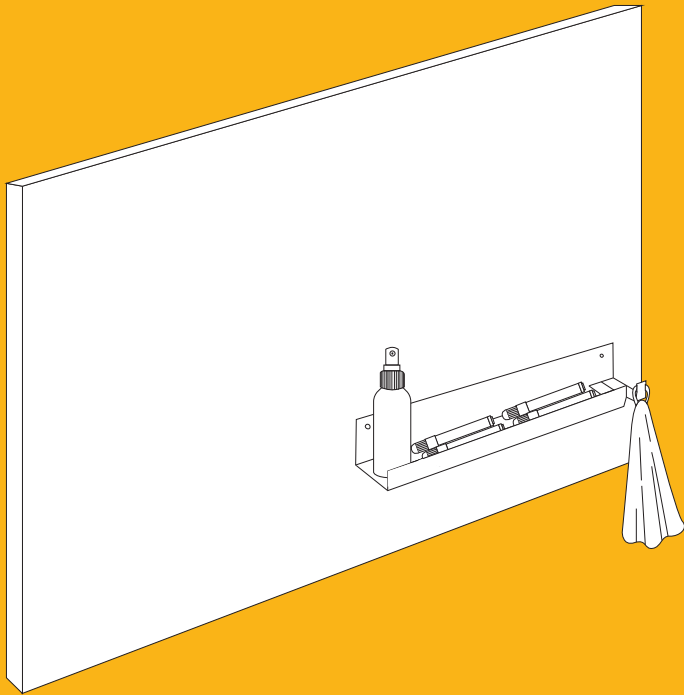
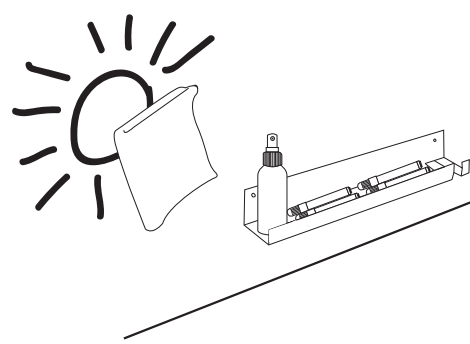


STEP 9: CLEANING GUIDELINES

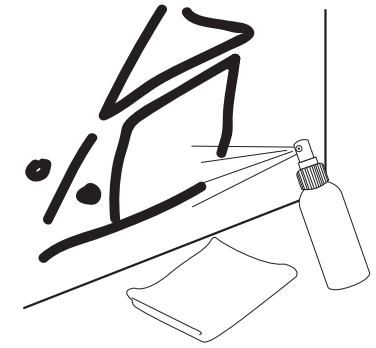


Process Comments

To ensure longevity and consistent performance of the Whiteboard Paint, follow these care guidelines



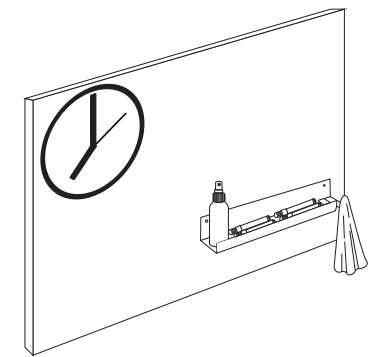
Use a dry microfibre cleaning cloth for day to day cleaning.



If ink has been on wall for an extended period of time, spray water on the ink, let sit to loosen the ink, and then wipe off.



For stubborn ink, use a blend of alcohol/water to help break down the ink.



In heavy use environments, it is recommended to give the wall a deep clean periodically to prevent a build up of ink residue.

STEP 10: CLEANING WARNINGS

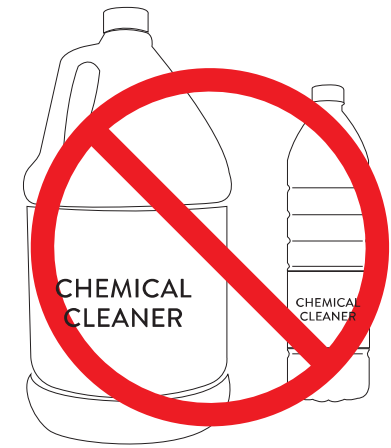


Process Comments

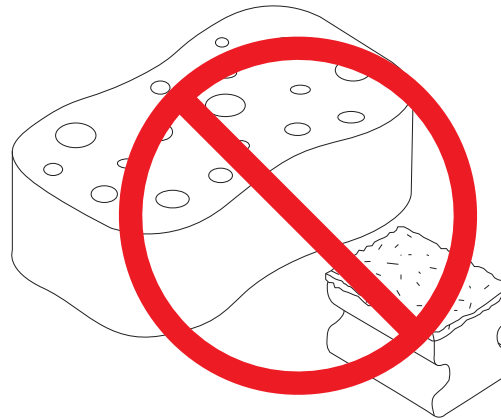
Avoid using any of the following as to avoid any damage to the Whiteboard Paint



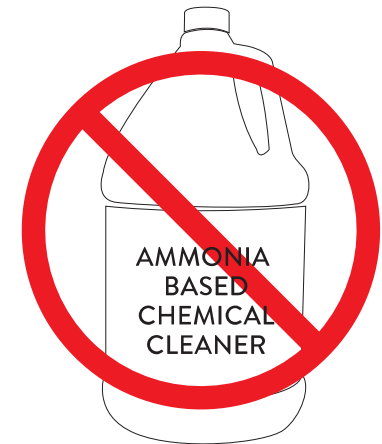
Do not use any whiteboard cleaners



Do not use any chemical cleaners

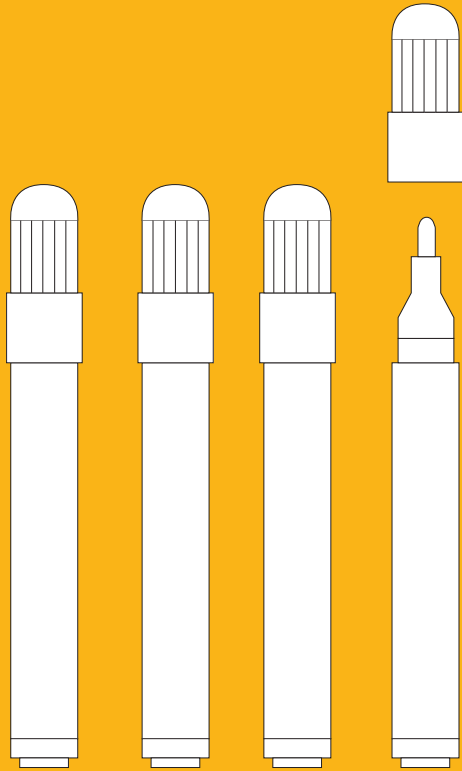


Do not use any abrasive cleaning clothes or brushes



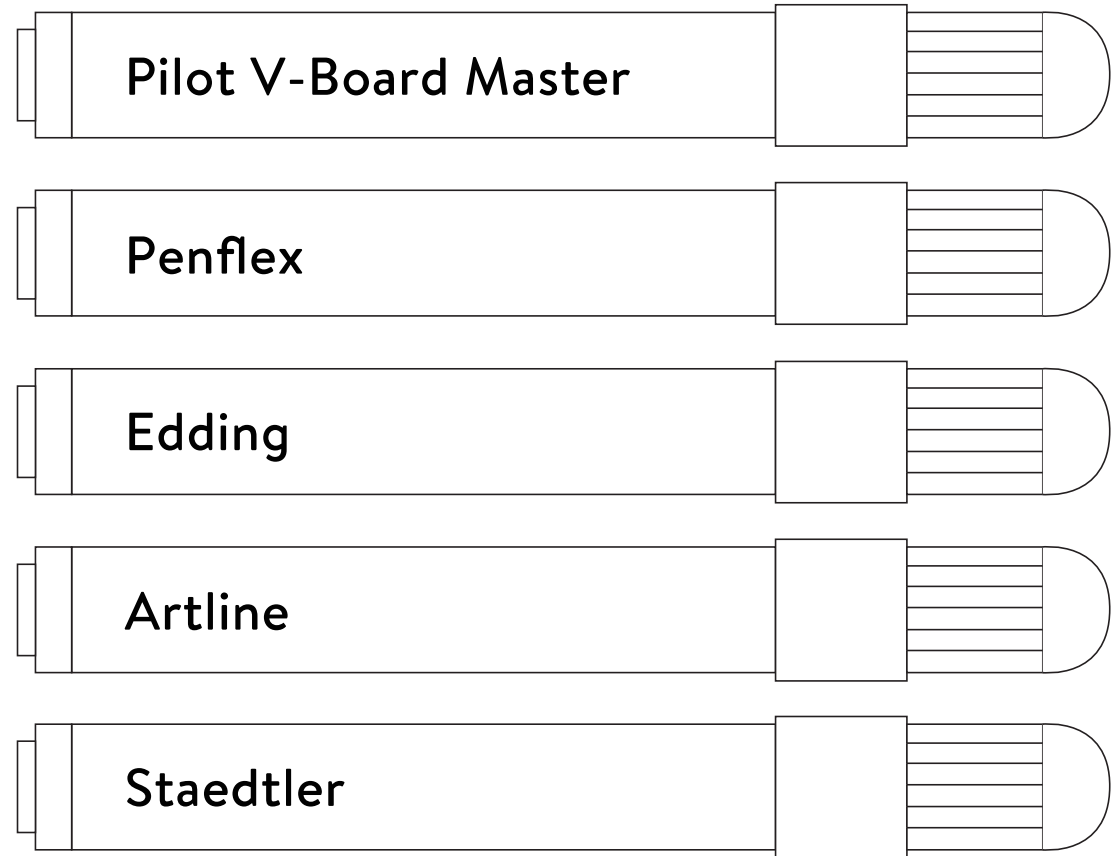
Do not use "ammonia" based cleaners on the wall

STEP 11: PREFERRED MARKERS



Process Comments

High quality recommended brands of markers suitable for Whiteboard Paint



TIP

In the event that these brands are not available in your country, please contact us for guidelines on testing markers for Vicinity Whiteboard Paint

STEP 12: MARKER WARNINGS



Process Comments

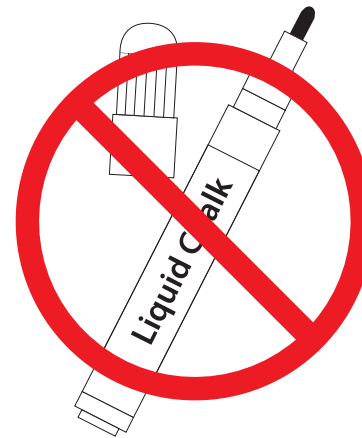
Avoid using any of the following to prevent damage to the Whiteboard Paint



Do not use markers that have "Ester" in the chemical mix



Do not use permanent markers



Do not use liquid chalk markers



Do not use dry erase crayons