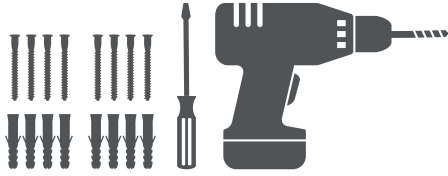


PRINT HOUSE

Whiteboard Installation Guide

Tools

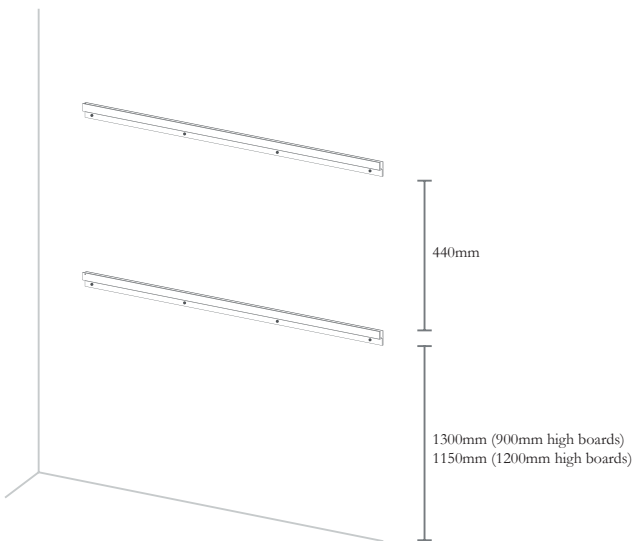
Drill & bits
Tape Measure
Spirit Level
Screws
Wallplugs



Method

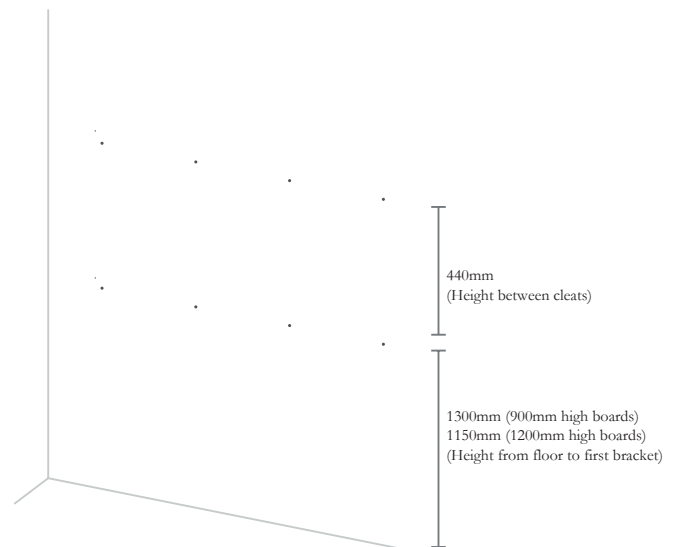
1.

Position the cleats ensuring that it is level by using a spirit level.
Please ensure you check measurements of the distance between cleats on the board before proceeding.



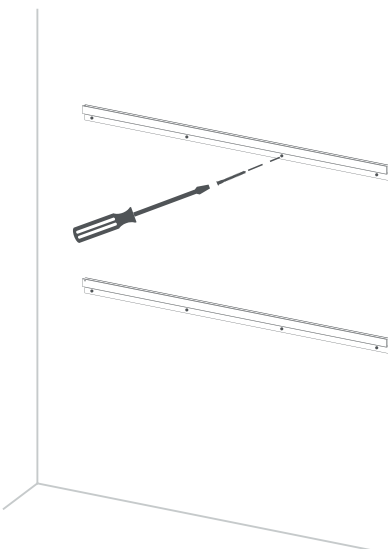
2.

Mark the height from the floor and the width from the start of the wall to allocate the position of the board on the wall.



3.

Drill the holes.
For DRY WALL : Use a POZI BIT to drill the hole.
Insert the DRY WALL plug and SCREW into the hole.
For CONCRETE WALL : Use a MASONRY DRILL BIT & IMPACT DRILL.
Insert the CONCRETE WALL plug and gently PUSH into the drilled hole.
Use screws to secure cleats to wall.



4.

Check the level of the cleat by using a spirit level.
Check that the cleats are secure.
Hang the whiteboard.



Side:

Front:

