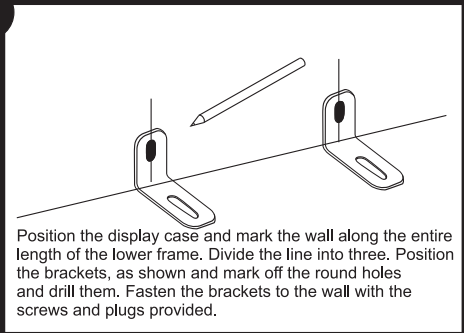
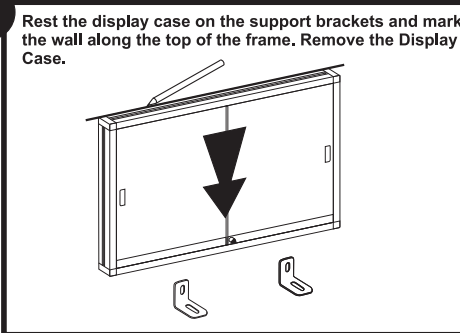


## MOUNTING INSTRUCTIONS

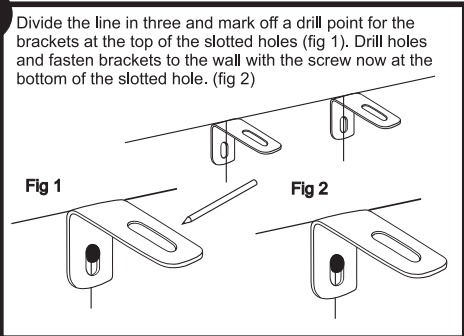
- 1**



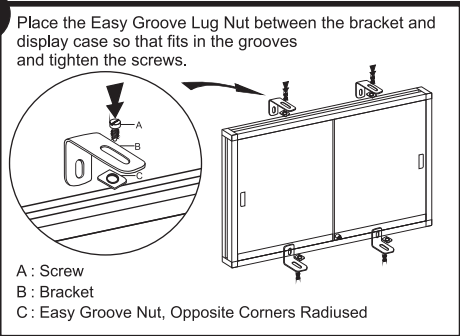
Position the display case and mark the wall along the entire length of the lower frame. Divide the line into three. Position the brackets, as shown and mark off the round holes and drill them. Fasten the brackets to the wall with the screws and plugs provided.
- 2**



Rest the display case on the support brackets and mark the wall along the top of the frame. Remove the Display Case.
- 3**



Divide the line in three and mark off a drill point for the brackets at the top of the slotted holes (fig 1). Drill holes and fasten brackets to the wall with the screw now at the bottom of the slotted hole. (fig 2)
- 4**



Place the Easy Groove Lug Nut between the bracket and display case so that fits in the grooves and tighten the screws.

A : Screw  
 B : Bracket  
 C : Easy Groove Nut, Opposite Corners Radiused

**\* To mount this display case you will need a drilling machine with a 6mm masonry drill bit and a hammer. The Tru-fix screws supplied can be hammered straight into position.**

**\* Dry wall fixtures are not included.**