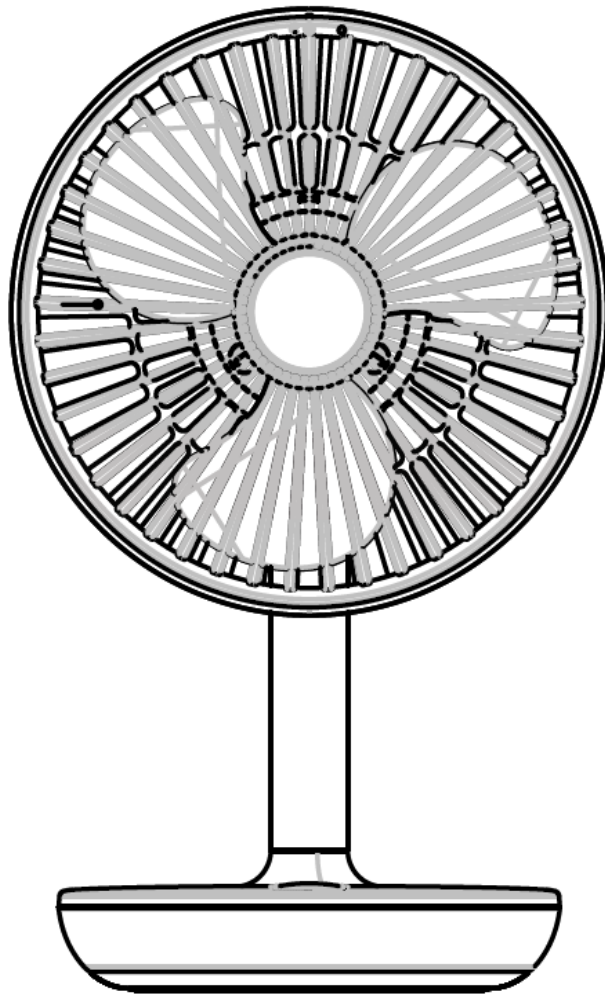




## Instruction Manual



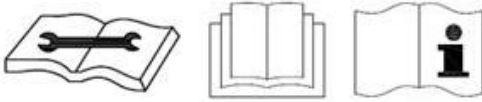
**MeacoFan 260c Cordless Air Circulator**

*Thank you for choosing Meaco, we really appreciate it.*

## Safety Information

Read all instructions carefully before use. Keep hold of instruction manual for future reference.

**Warning:** If used incorrectly, electric shock, fire, personal injury and/or other damage may occur.



*This air circulator must not be used in rooms under the following conditions:*

1. *Potentially explosive atmosphere*
2. *Aggressive atmospheres*
3. *Featuring a high concentration of solvents*
4. *An extremely high ratio of dust*

**Keep Children Away:** Do not allow children to play with or around this unit, which could result in injury. Be sure the unit is inaccessible to children when not attended. This appliance is not intended for use by person (including children) with reduced physical, sensory or mental capabilities, or lack of experience and knowledge, unless they have been given supervision or instruction concerning use of the appliance by a person responsible for their safety.

**Handle with Care:** Do not drop, throw or crash the air circulator. Rough treatment can damage the components or wiring and create a hazardous condition.

**Run on Stable Surface:** Always operate the unit on a stable, level surface, for example the floor or a strong counter, so that the air circulator cannot fall and cause injury.

**Keep Out of Water:** Never operate the unit in pooled or standing water, as this may create a risk of injury from electrical shock. Do not store or operate outdoors. If electrical wiring or components become wet, thoroughly dry them before using the unit. If in doubt do not use the air circulator and consult a qualified electrician or a Meaco approved engineer.

**Keep Air Intakes Clear:** Do not clog or block the air intakes by placing the air circulator too close to curtains, walls or anything that will restrict the air inlet. This may cause the unit to overheat and result in a fire or electrical hazard.

**Keep Electrical Components Dry:** Never allow water inside the air circulator's electrical components. If these areas become wet for any reason, thoroughly dry them before using the air circulator. If in doubt, do not use the air circulator and consult a qualified electrician or a Meaco approved engineer.

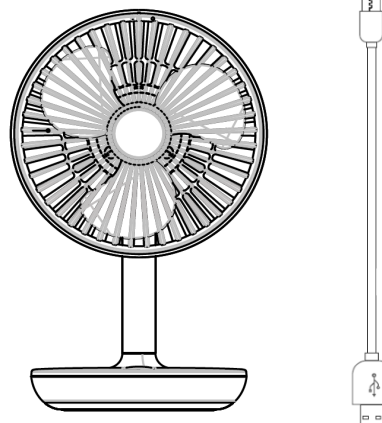
The operator must make the operating instruction available for the user and make sure that the user does understand the manual.

## What's included?

1. MeacoFan 260c Cordless Air Circulator
2. Type C USB charging lead (1m)\*
3. 2 x 18650 3.7v 2500mAh lithium cell batteries

\*We recommend the use of a 5V/1A or 5V/2A charger.

Keep hold of the box and packaging should it be required in the future. To save space cut through the adhesive tape and fold the box.

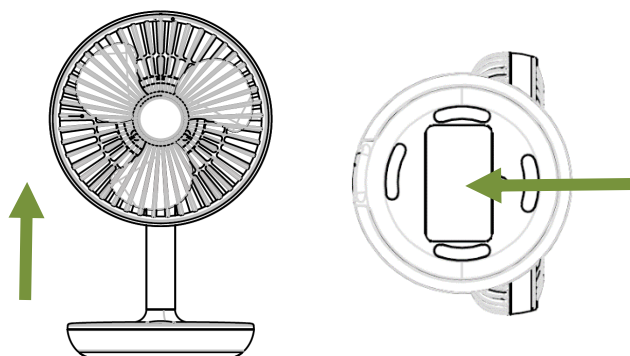


## Warranty registration

Visit [www.meaco.com/pages/register-your-warranty](http://www.meaco.com/pages/register-your-warranty) to register your 2-year manufacturer's warranty - as a thank you, you will be entered into our monthly free prize draw to help support the David Shepherd Wildlife Foundation.

Make sure you register your warranty as soon as possible so we can provide you with quick and efficient support should you need it.

To register your warranty, you will need the product's serial number. This can be found underneath the base of the fan.



If you purchased your product from one of our authorised resellers, proof of purchase will be required to make a claim.

## Operation

**Turning the fan on:** Press the control button once.

**Turning the night light on:** Hold down the control button for 2 seconds.

**Turning the night light off:** Hold down the control button for 2 seconds.

**Adjusting the fan speed:** There are 4 fan speeds. To move through the fan speeds, press the control button. The bottom half of the LED (white) will change to indicate a change in fan speed.

**Turning the fan off:** Keep pressing the control button until it has gone through all 4 fan speeds.

## Charging the fan

To charge the fan, connect the USB cable provided. We recommend using a 5V/1A or 5V/2A charger. Do not force the cable into the fan as this could damage the connection.

Whilst charging, the top half of the LED (orange) will flash. The size of the LED will increase depending on the charging percent: 25%, 50%, 75% or 100%. It will take approx. 6 hours to charge the fan to 100% power. At 100% charge the entire top half of the LED will light up in orange.

The fan can be used as normal whilst charging. If the fan is used on fan speed 3 or 4 whilst charging, the charging time is doubled.

Do not charge the fan on thick carpet. Do not cover the fan at any point, especially whilst charging.

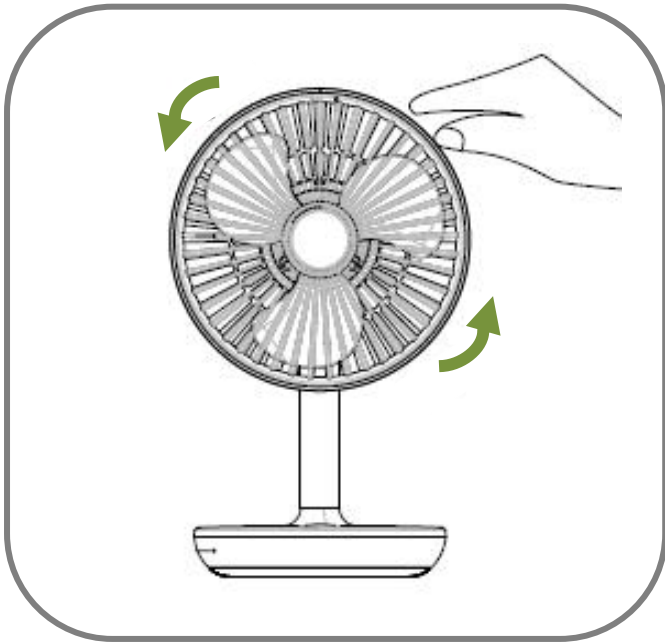
The fan can be charged up to 300 times before the battery will need replacing.

| Setting          | Approximate length of usage* |
|------------------|------------------------------|
| Fan speed 1      | 14 hours                     |
| Fan speed 2      | 10.5 hours                   |
| Fan speed 3      | 5.5 hours                    |
| Fan speed 4      | 4 hours                      |
| Night light only | 25 hours                     |

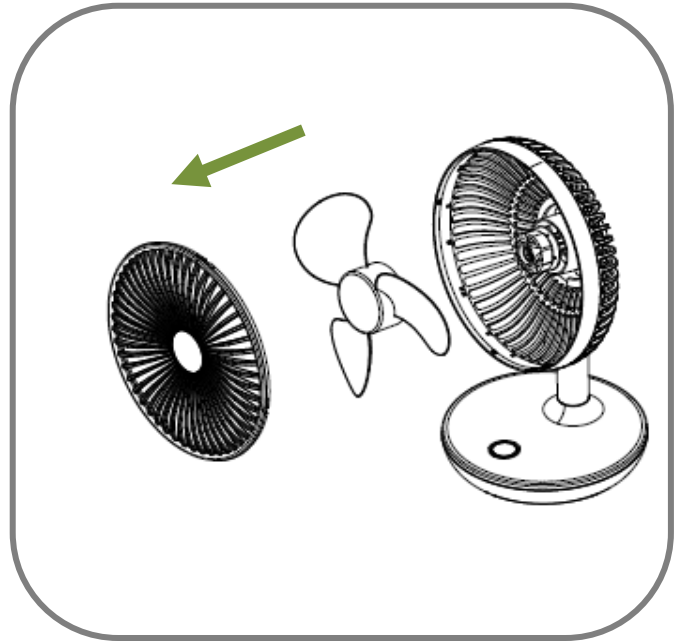
*\*Using the fan on fan speeds 1, 2, 3 or 4 and the night light will reduce the length of usage.*

## Cleaning the fan

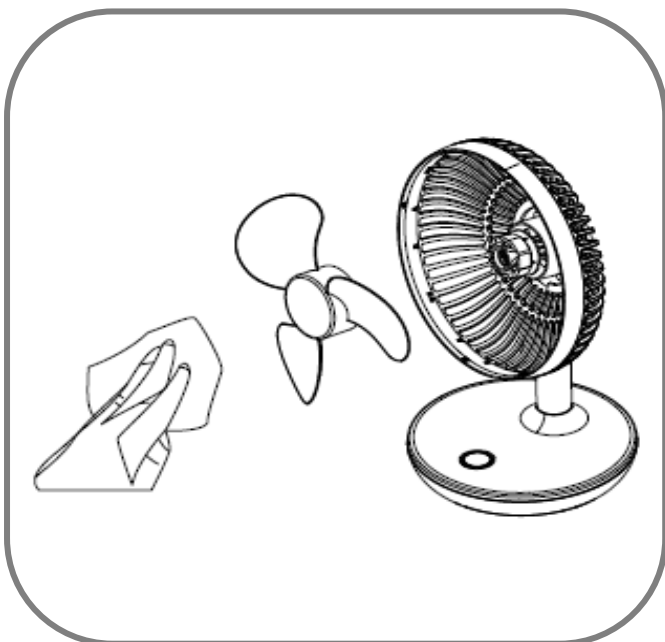
Always turn the fan off and unplug it from the socket before cleaning.



Remove the front of the fan by holding the back of the fan and turning the front guard anti-clockwise. Adjust the head of the fan, by pushing it backwards, to the maximum height.

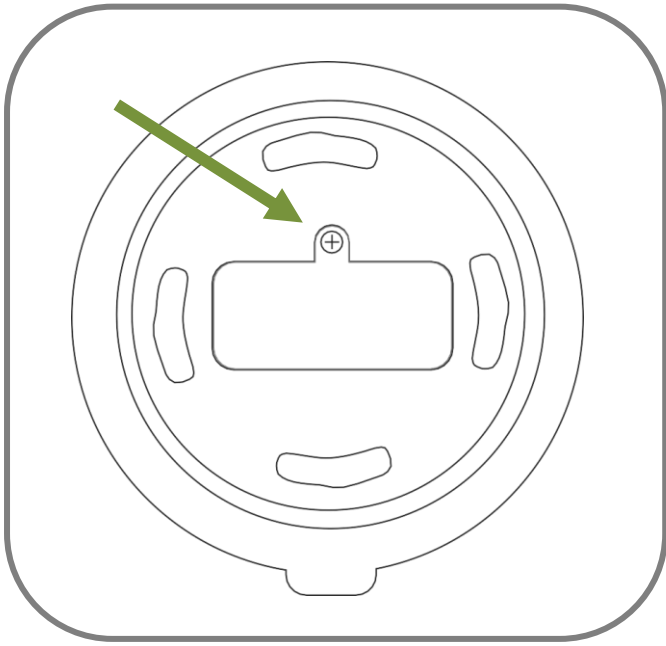


Hold the back of the fan and pull out the fan blades.

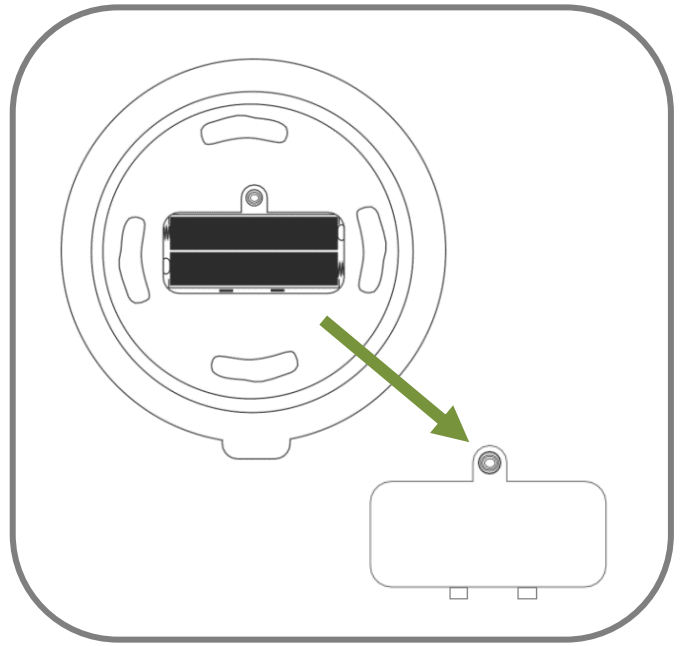


Clean the separate components of the fan using a soft dry cloth. Once clean reverse the process to put the fan back together.

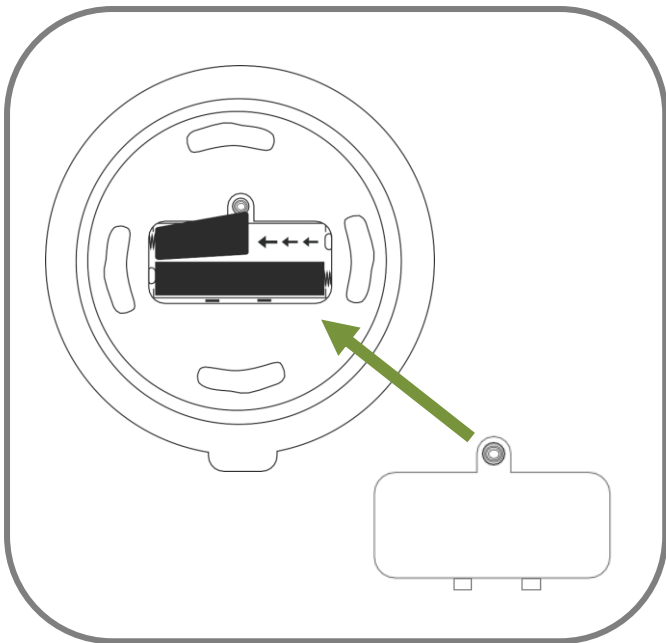
## Battery replacement



Turn the fan upside down and use a screwdriver to unscrew the lid on the base of the fan.



Remove the lid and batteries.



Insert new batteries (2 x 18650 3.7v 2500mAh lithium cell batteries), put the lid back in place and screw shut using a screwdriver.

## Technical data

|  |   |
|--|---|
| <b>Humidity operating range</b>          | Non-condensing                                |
| <b>Fan motor type</b>                    | DC brushless motor                            |
| <b>Maximum air flow</b>                  | 260 cubic metres per hour                     |
| <b>*Maximum air velocity (c)</b>         | 2.7m/sec                                      |
| <b>*Rated voltage and frequency</b>      | 5V 1A / 5V 2A                                 |
| <b>Power consumption</b>                 | 1 to 4.5 watts                                |
| <b>*Standby power consumption (PSB)</b>  | 0.0001 watts                                  |
| <b>Vertical oscillation swing angles</b> | 65° up and 10° down                           |
| <b>*Fan sound power level (LWA)</b>      | <30dB(A)                                      |
| <b>*Service value (SV)</b>               | 0.42 (m <sup>3</sup> /min)/watts              |
| <b>*Fan power input (P)</b>              | 4 watts                                       |
| <b>*Maximum fan flow rate (F)</b>        | 3m <sup>3</sup> /min                          |
| <b>Dimensions (HWD)</b>                  | 268.5 x 166 x 139.6mm                         |
| <b>Nett weight</b>                       | 490g  |
| <b>Battery type</b>                      | 2 x 18650 3.7v 2500mAh lithium cell batteries |

*\*Measurement Standard for Service Value (all items\*): EN 50564:2011*

## Product care

The MeacoFan 260c doesn't need much maintenance: keep the fan clean as per the previous instructions and store it a clean dry place when not in use. Before storing the air circulator for a long period of time make sure the air circulator has at least half its charging power.

## Troubleshooting

|   |  |
|---|--|
| <b>Increased noise level</b>                            | <ul style="list-style-type: none"><li>• Clean the fan blades</li><li>• Contact Meaco</li></ul>   |
| <b>Fan blades are knocking the front cover</b>          | <ul style="list-style-type: none"><li>• Remove the front cover and push the centre piece of the fan blades until it clicks into place</li></ul>                |
| <b>The fan has become hot whilst charging</b>           | <ul style="list-style-type: none"><li>• It is normal for the fan to become hot whilst charging, if it becomes too hot, disconnect the charging cable</li></ul> |
| <b>Only half the LED lights up orange when charging</b> | <ul style="list-style-type: none"><li>• At 100% charge, only the top half of the LED ring will light up orange</li></ul>                                       |

## Product support

If you require further product support, a member of our team will be happy to assist you - see contact options below. Alternatively, visit our YouTube channel to watch our video demonstrations.



01483 234900



customerservice@meaco.com



www.meaco.com



www.youtube.com/MeacoUK



## Warranty terms and conditions

There is a two-year manufacturer's warranty on your fan from the date of delivery. Within the two-year manufacturer's warranty, all manufacturing defects will be repaired free of charge.

The following applies:

1. Any repairs or replacement of components during the warranty period will not result in an extension of the warranty period.
2. The warranty will expire if any alterations have been made, not genuine components have been fitted or if the air circulator has been repaired by a third party.
3. Components subject to normal wear and tear are not covered by the warranty.
4. The warranty is only valid on presentation of the original, unaltered, and date-stamped purchased receipt.
5. The warranty does not cover damage caused by actions that deviate from those as described in the user's manual or by neglect.
6. The warranty does not cover faults caused by dirt or by third-party products.
7. The warranty does not cover accidental damage.
8. All claims for compensation, including consequential damage, will not be entertained.
9. Using a third-party switching device that turns the air circulator on or off via the mains will invalidate the warranty.

For the full list of the warranty terms and conditions please visit: [www.meaco.com/warranty-terms](http://www.meaco.com/warranty-terms).

*This fan has been imported into the UK by:*

*Meaco (UK) Limited  
Meaco House  
Parklands, Railton Road  
Guildford, GU2 9JX*



This marking above indicates that this product should not be disposed with other household wastes throughout the UK. To prevent possible harm to the environment or human health from uncontrolled waste disposal, recycle it responsibly to promote the sustainable reuse of material resources. To return your used device, please use the return and collection systems or contact the retailer where the product was purchased. They can take this product for environmental safe recycling.