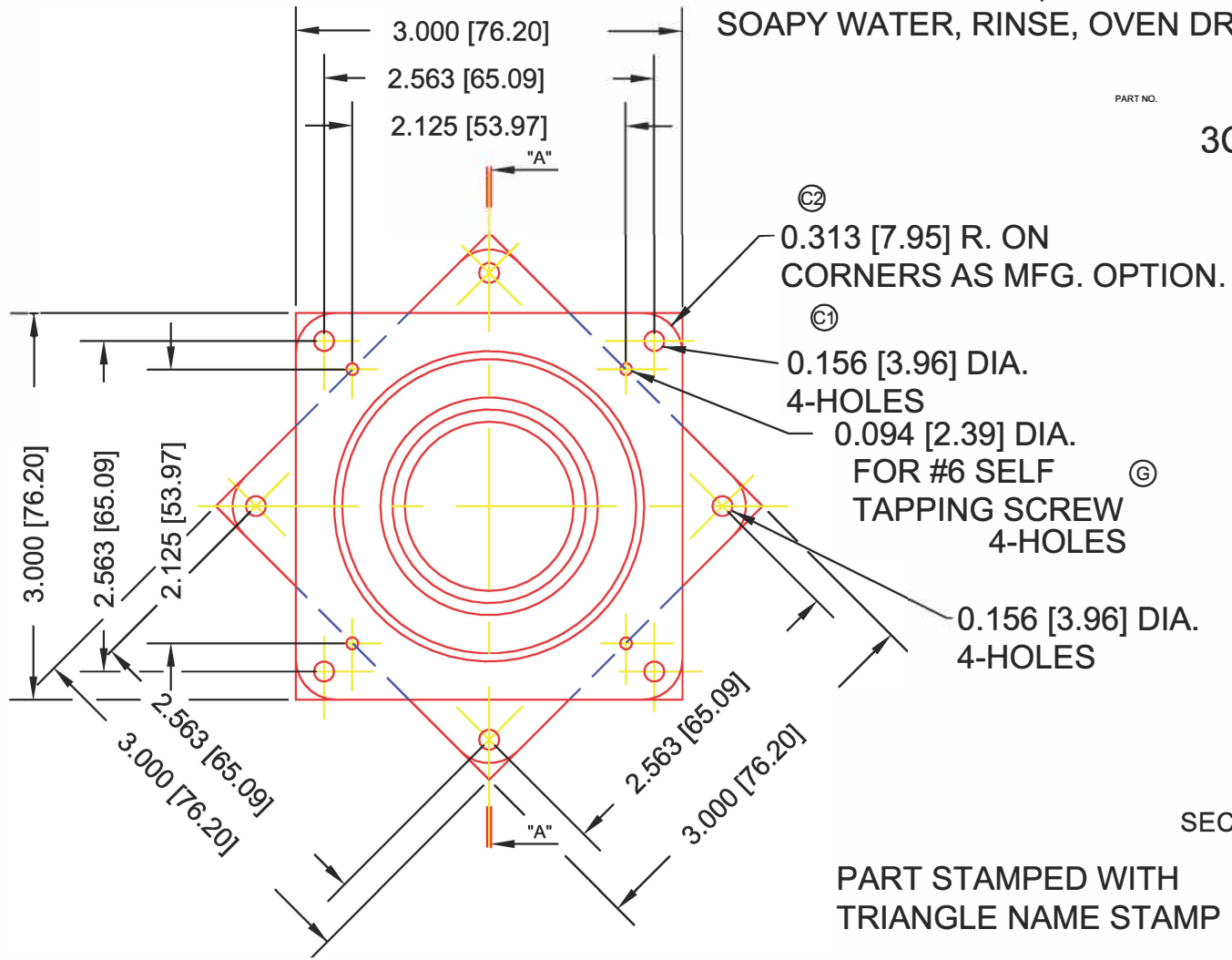
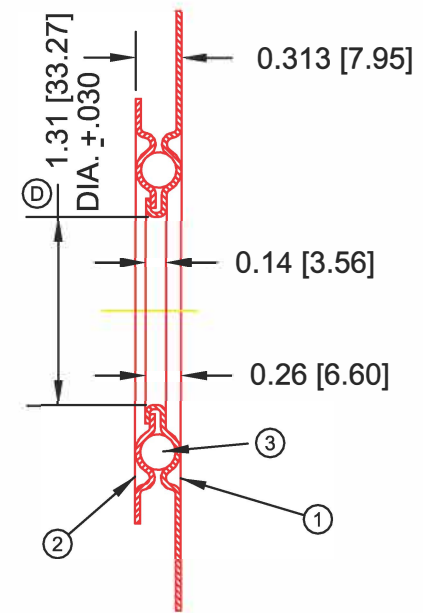


THERE MAY BE 2 TO 4 BALLS LEFT OUT DUE TO MANUFACTURING PROCESS.

CAUTION: PROTECT BALLS AND RACES FROM SAWDUST, DIRT, PAINT, ETC. SHOULD BEARING BECOME "ROUGH" FROM DIRTY RACES, FLUSH THOROUGHLY WITH HOT SOAPY WATER, RINSE, OVEN DRY AND RE-OIL.



PART NO. 3C



SECTION "A-A"

PART STAMPED WITH TRIANGLE NAME STAMP

DET	PART NUMBER	DESCRIPTION	AMT
3	BALLS3	BALL	1
2	1089	PLAIN RACE	1
1	1101	LOCKING RACE	1
<b>B</b> TRIANGLE MANUFACTURING CO.			

FIT		////	
PLATING		ELECTRO-GALV	
MATERIAL		SEE DET.	
ALL DIMS ±.020 UNLESS SPECIFIED		SCALE 1 / 1	
NAME		3" LAZY SUSAN BRG.	
USED IN		////	
DATE		10-17-59	
DRAWN		SP	
CHECKED		MJK	

CHANGE LEVEL	H	02-18-09
--------------	---	----------

(F)

(H)

(C2)

(C1)

(C)

(D)

(E)