

POWERDRIVE ALUMINIUM PULLEYS



ALUMINIUM PULLEYS

INTRODUCTION

ALUMINIUM PULLEYS ARE IDEAL FOR LIGHTWEIGHT DRIVE APPLICATIONS, SUCH AS COMPRESSORS, GENERATORS, PACKAGING & PRINTING MACHINERY.

Larger PCD's and stepped bore pulleys are available on special request.

FEATURES

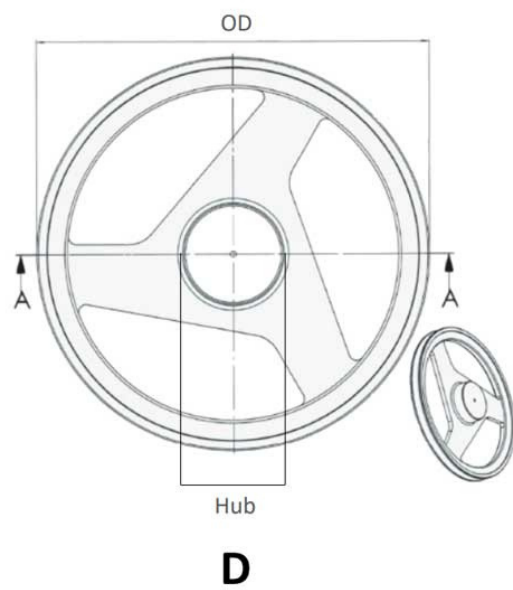
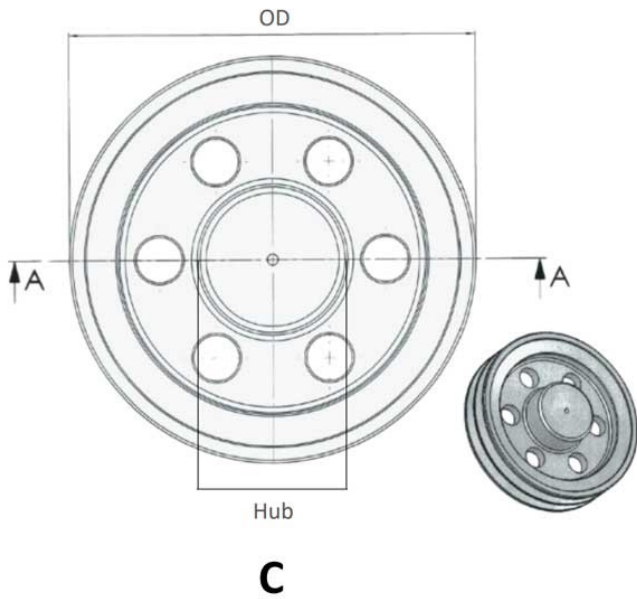
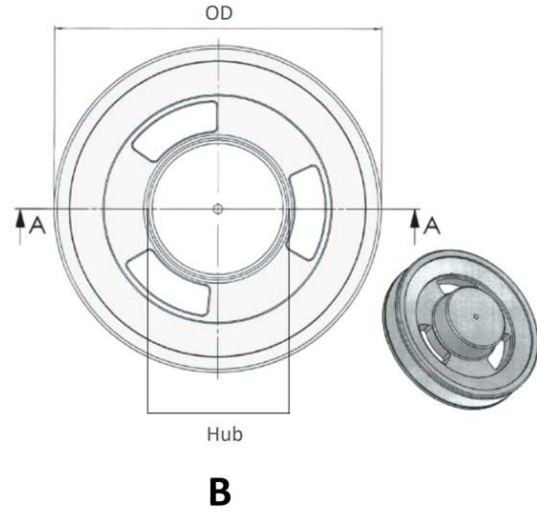
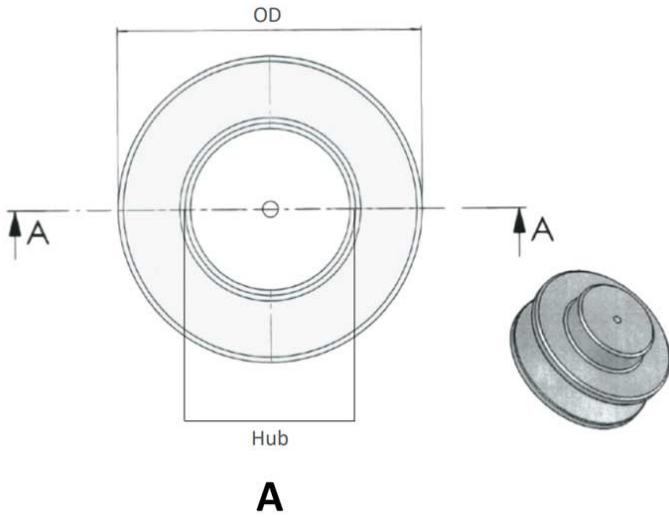
- All of our aluminium pulleys come with a blank bore.
- Manufactured from 356.1 aluminium alloy.
- 50mm-300mm pitch circle diameters (PCD).

OUR RANGE

- Z Section (10mm)
- A Section (13mm)
- B Section (17mm)



PULLEYS TYPES



TECHNICAL SPECIFICATION

SPA SECTION

| SPA Section Aluminium Pulleys | | | | | | | SPA Section Aluminium Pulleys | | | | | | | | |
|-------------------------------|--------------------------|---------|------------|-----------|--------------|-----------------|-------------------------------|-------------|--------------------------|---------|------------|-----------|--------------|-----------------|------------|
| Part Number | Name | OD (mm) | Pitch (mm) | Type (mm) | Hub Dia (mm) | Hub Length (mm) | Weight (g) | Part Number | Name | OD (mm) | Pitch (mm) | Type (mm) | Hub Dia (mm) | Hub Length (mm) | Weight (g) |
| APA 040/1 | Aluminium Pulley A - SPA | 47 | 40 | A | 35 | 30 | 90 | APA 150/1 | Aluminium Pulley A - SPA | 157 | 180 | C | 48 | 30 | 480 |
| APA 050/1 | Aluminium Pulley A - SPA | 57 | 50 | A | 32 | 30 | 110 | APA 150/2 | Aluminium Pulley A - SPA | 157 | 150 | C | 51 | 42 | 750 |
| APA 050/2 | Aluminium Pulley A - SPA | 57 | 50 | A | 35 | 45 | 179 | APA 160/1 | Aluminium Pulley A - SPA | 167 | 160 | C | 48 | 30 | 524 |
| APA 060/1 | Aluminium Pulley A - SPA | 67 | 60 | A | 38 | 30 | 164 | APA 160/2 | Aluminium Pulley A - SPA | 167 | 160 | C | 60 | 42 | 967 |
| APA 060/2 | Aluminium Pulley A - SPA | 67 | 60 | A | 41 | 43 | 256 | APA 170/1 | Aluminium Pulley A - SPA | 177 | 170 | C | 56 | 31 | 723 |
| APA 070/1 | Aluminium Pulley A - SPA | 77 | 70 | A | 41 | 30 | 170 | APA 170/2 | Aluminium Pulley A - SPA | 177 | 170 | C | 58 | 42 | 1047 |
| APA 070/2 | Aluminium Pulley A - SPA | 77 | 70 | A | 43 | 43 | 325 | APA 180/1 | Aluminium Pulley A - SPA | 187 | 180 | C | 53 | 30 | 662 |
| APA 080/1 | Aluminium Pulley A - SPA | 87 | 80 | A | 45 | 30 | 231 | APA 180/2 | Aluminium Pulley A - SPA | 187 | 180 | C | 60 | 42 | 1116 |
| APA 080/2 | Aluminium Pulley A - SPA | 87 | 80 | A | 42 | 45 | 436 | APA 190/1 | Aluminium Pulley A - SPA | 197 | 190 | C | 60 | 32 | 825 |
| APA 090/1 | Aluminium Pulley A - SPA | 97 | 90 | B | 45 | 30 | 256 | APA 190/2 | Aluminium Pulley A - SPA | 197 | 190 | C | 60 | 42 | 1241 |
| APA 090/2 | Aluminium Pulley A - SPA | 97 | 90 | B | 44 | 45 | 440 | APA 200/1 | Aluminium Pulley A - SPA | 207 | 200 | D | 60 | 30 | 603 |
| APA 100/1 | Aluminium Pulley A - SPA | 107 | 100 | B | 45 | 310 | 287 | APA 200/2 | Aluminium Pulley A - SPA | 207 | 200 | C | 65 | 42 | 1284 |
| APA 100/2 | Aluminium Pulley A - SPA | 107 | 100 | B | 50 | 45 | 509 | APA 220/1 | Aluminium Pulley A - SPA | 227 | 220 | D | 48 | 20 | 663 |
| APA 110/1 | Aluminium Pulley A - SPA | 117 | 110 | B | 50 | 30 | 352 | APA 220/2 | Aluminium Pulley A - SPA | 227 | 220 | C | 64 | 42 | 1480 |
| APA 110/2 | Aluminium Pulley A - SPA | 117 | 110 | A | 45 | 43 | 608 | APA 200/2 | Aluminium Pulley A - SPA | 207 | 200 | C | 65 | 42 | 1284 |
| APA 120/1 | Aluminium Pulley A - SPA | 127 | 120 | B | 50 | 30 | 385 | APA 220/1 | Aluminium Pulley A - SPA | 227 | 220 | D | 48 | 20 | 663 |
| APA 120/2 | Aluminium Pulley A - SPA | 127 | 120 | C | 48 | 42 | 642 | APA 220/2 | Aluminium Pulley A - SPA | 227 | 220 | C | 64 | 42 | 1480 |
| APA 130/1 | Aluminium Pulley A - SPA | 137 | 130 | C | 50 | 30 | 410 | APA 250/1 | Aluminium Pulley A - SPA | 257 | 250 | D | 84 | 35 | 1029 |
| APA 130/2 | Aluminium Pulley A - SPA | 137 | 130 | C | 50 | 42 | 738 | APA 250/2 | Aluminium Pulley A - SPA | 257 | 250 | C | 60 | 42 | 1351 |
| APA 140/1 | Aluminium Pulley A - SPA | 147 | 140 | C | 45 | 30 | 442 | APA 300/1 | Aluminium Pulley A - SPA | 307 | 300 | D | 76 | 35 | 1291 |
| APA 140/2 | Aluminium Pulley A - SPA | 147 | 140 | C | 56 | 42 | 833 | APA 300/2 | Aluminium Pulley A - SPA | 307 | 300 | D | 65 | 43 | 1798 |

SPB SECTION

| SPB Section Aluminium Pulleys | | | | | | | SPB Section Aluminium Pulleys | | | | | | | | |
|-------------------------------|--------------------------|---------|------------|-----------|--------------|-----------------|-------------------------------|-------------|--------------------------|---------|------------|-----------|--------------|-----------------|------------|
| Part Number | Name | OD (mm) | Pitch (mm) | Type (mm) | Hub Dia (mm) | Hub Length (mm) | Weight (g) | Part Number | Name | OD (mm) | Pitch (mm) | Type (mm) | Hub Dia (mm) | Hub Length (mm) | Weight (g) |
| APB 070/1 | Aluminium Pulley B - SPB | 79 | 70 | A | 44 | 39 | 305 | APB 100/1 | Aluminium Pulley B - SPB | 109 | 100 | A | 50 | 37 | 532 |
| APB 080/1 | Aluminium Pulley B - SPB | 89 | 80 | A | 47 | 37 | 347 | APB 200/2 | Aluminium Pulley B - SPB | 211 | 200 | C | 65 | 50 | 1707 |
| APB 090/1 | Aluminium Pulley B - SPB | 99 | 90 | A | 48 | 39 | 405 | | | | | | | | |

SPZ SECTION

| SPZ Section Aluminium Pulleys | | | | | | | SPZ Section Aluminium Pulleys | | | | | | | | |
|-------------------------------|--------------------------|---------|------------|-----------|--------------|-----------------|-------------------------------|-------------|--------------------------|---------|------------|-----------|--------------|-----------------|------------|
| Part Number | Name | OD (mm) | Pitch (mm) | Type (mm) | Hub Dia (mm) | Hub Length (mm) | Weight (g) | Part Number | Name | OD (mm) | Pitch (mm) | Type (mm) | Hub Dia (mm) | Hub Length (mm) | Weight (g) |
| APZ 050/1 | Aluminium Pulley Z - SPZ | 55 | 50 | A | 35 | 25 | 102 | APZ 110/1 | Aluminium Pulley Z - SPZ | 115 | 110 | B | 50 | 26 | 265 |
| APZ 050/2 | Aluminium Pulley Z - SPZ | 55 | 50 | A | 35 | 38 | 151 | APZ 110/2 | Aluminium Pulley Z - SPZ | 115 | 110 | C | 45 | 36 | 485 |
| APZ 060/1 | Aluminium Pulley Z - SPZ | 60 | 60 | A | 35 | 25 | 119 | APZ 120/1 | Aluminium Pulley Z - SPZ | 125 | 120 | A | 30 | 26 | 441 |
| APZ 060/2 | Aluminium Pulley Z - SPZ | 65 | 60 | A | 39 | 36 | 221 | APZ 130/1 | Aluminium Pulley Z - SPZ | 135 | 130 | C | 53 | 30 | 442 |
| APZ 070/1 | Aluminium Pulley Z - SPZ | 75 | 70 | A | 39 | 25 | 185 | APZ 140/1 | Aluminium Pulley Z - SPZ | 145 | 140 | C | 30 | 26 | 373 |
| APZ 070/2 | Aluminium Pulley Z - SPZ | 75 | 70 | A | 40 | 36 | 296 | APZ 140/2 | Aluminium Pulley Z - SPZ | 145 | 140 | A | 50 | 26 | 612 |
| APZ 080/1 | Aluminium Pulley Z - SPZ | 85 | 80 | B | 40 | 25 | 183 | APZ 150/1 | Aluminium Pulley Z - SPZ | 155 | 150 | C | 50 | 26 | 432 |
| APZ 080/2 | Aluminium Pulley Z - SPZ | 85 | 80 | A | 42 | 38 | 360 | APZ 150/2 | Aluminium Pulley Z - SPZ | 155 | 150 | C | 50 | 35 | 684 |
| APZ 090/1 | Aluminium Pulley Z - SPZ | 95 | 90 | A | 45 | 26 | 261 | APZ 160/2 | Aluminium Pulley Z - SPZ | 165 | 160 | A * | 50 | 30 | 713 |
| APZ 090/2 | Aluminium Pulley Z - SPZ | 95 | 90 | A * | 55 | 28 | 419 | APZ 180/2 | Aluminium Pulley Z - SPZ | 185 | 180 | C | 50 | 35 | 886 |
| APZ 100/1 | Aluminium Pulley Z - SPZ | 105 | 100 | B | 50 | 26 | 260 | APZ 200/2 | Aluminium Pulley Z - SPZ | 205 | 200 | D | 60 | 38 | 907 |
| APZ 100/2 | Aluminium Pulley Z - SPZ | 105 | 100 | A | 45 | 28 | 385 | | | | | | | | |

Note: *Hub does not protrude pulley wall

WWW.DISTAG.COM
Get in touch

**TULLOW
Distag QCS LTD**

Tullow Industrial Estate
Bunclody Rd
Tullow, Co.Carlow
IRELAND
R93 V585

Tel: +353 (0)59 915 1626
Fax: +353 (0)59 915 1264
Email: sales@distag.com

**IPSWICH
Distag QCS (UK) LTD**

Unit 24
Farthing Road Ind.Est.
Sproughton, Ipswich
Suffolk, UK
IP1 5AP

Tel: +44 (0)1473 744 612
Fax: +44 (0)1473 744 613
Email: info@distag.com

**DUNGANNON
Distag QCS (UK) LTD**

11 Cookstown Rd
Dungannon
Northern Ireland
BT71 4BB

Tel: +44 (0) 28 92 633380
Fax: +44 (0) 28 92 607231
Email: NIsales@distag.com