

Goldair™

PLATINUM



Operating Instructions

GMT Straight Square Towel Warmer



For Models: GMT4, GMT6, GMT8

General Care and Safety Guide

When using any electrical appliance, basic safety precautions should always be observed.

READ THESE INSTRUCTIONS CAREFULLY.

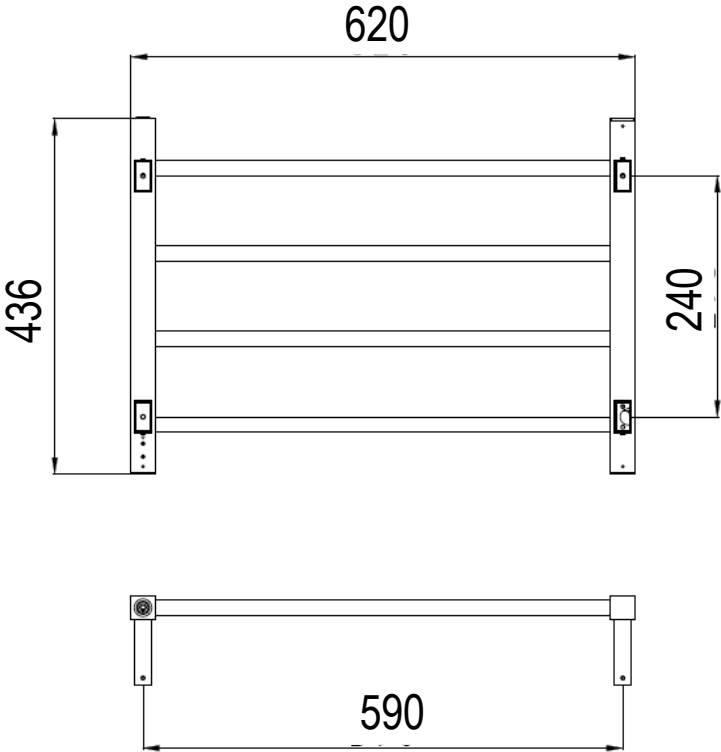
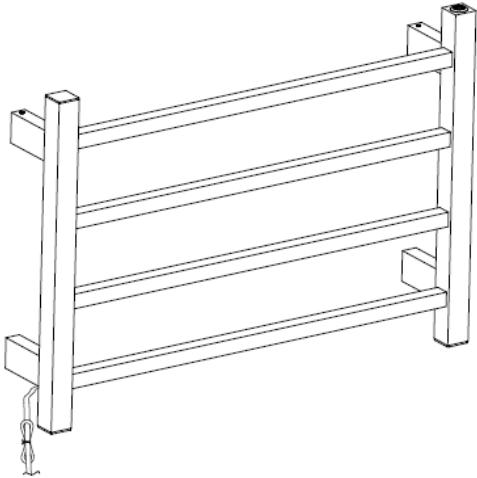
- Keep them handy for future reference.
- This appliance is intended to warm and dry towels and therefore is hot to the touch. When used by or near young children or infirm persons, close supervision is necessary. Young children should be supervised to ensure that they do not play with the appliance.
- NOTE The surface temperature of your towel rail will be 20-25 degrees higher than the ambient air temperature. Any rise in ambient air temperature is directly reflected in the appliance and as a result of this the appliance will feel hotter to the touch during warmer periods. Also, the insulation effect of towels will cause the operating temperature to increase. Example, if the ambient air temperature is 20 degrees, this will mean the towel rail surface will be approximately 40-50 degrees.
- The towel rail is to be installed so that switches and other controls cannot be touched by a person in the bath or shower.
- DO NOT use this appliance for any purpose other than its intended use.
- To avoid a hazard this heated towel rail MUST NOT be used to carry towels or any other articles that have been in contact with oil, petroleum-based products or dry-cleaning fluids.
- Use this appliance only with the voltage specified on the rating label, or elsewhere in these instructions.
- Regulations require that electrical work be carried out only by authorised persons. For your own safety and that of others ensure this is done.
- DO NOT immerse in any liquid.
- For service contact your nearest Authorised Service Agent.

WARNING: In order to avoid a hazard for young children, this appliance must be installed so that the bottom rail is at least 600mm above the floor.

Dimensions and Specifications

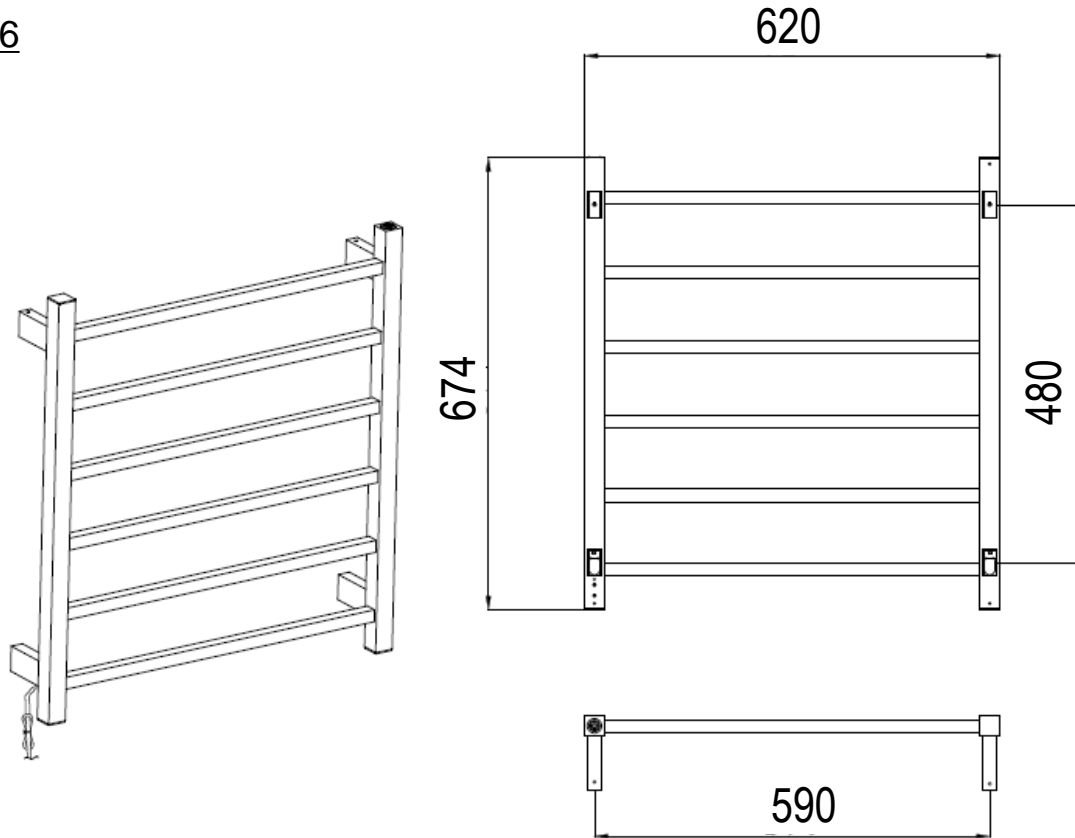
SPECIFICATIONS/DIMENSIONS			
Model:	GMT4	GMT6	GMT8
Height:	436mm	674mm	912mm
Width:	620mm	620mm	620mm
Depth:	110mm	110mm	110mm
ELECTRICAL			
Wattage:	40W	55W	100W
Colour:	Stainless Steel	Stainless Steel	Stainless Steel
Power Supply	230-240 VAC 50Hz	230-240 VAC 50Hz	220-240 VAC 50Hz
Ingress Protection Rating: IP55			

GMT4

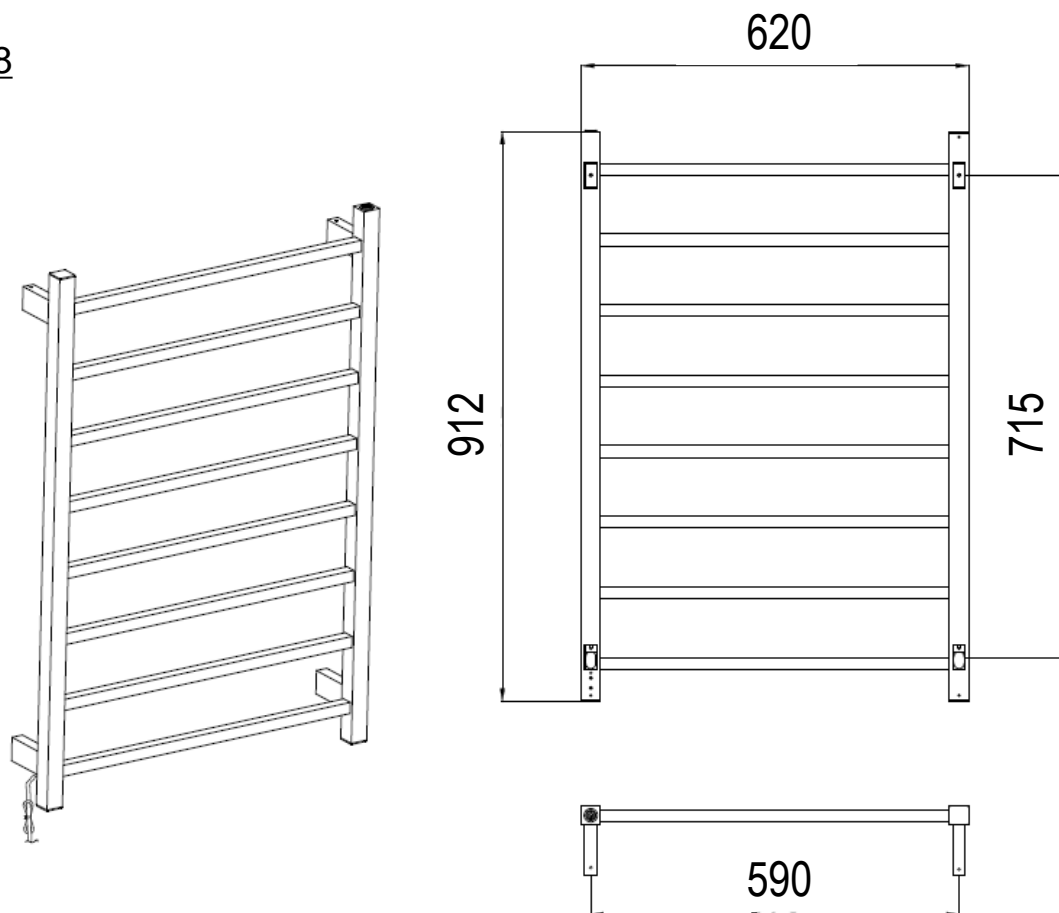


Dimensions (continued)

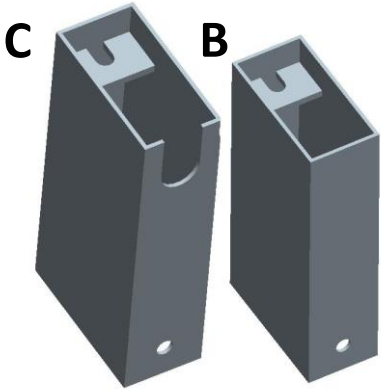
GMT6



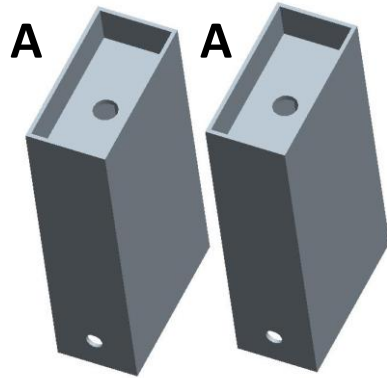
GMT8



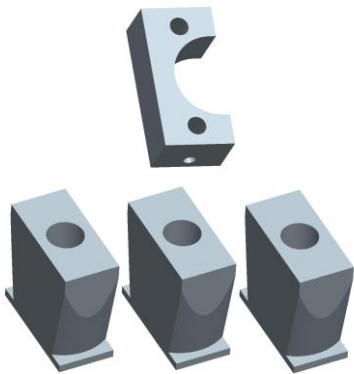
Components



1 x U Shape mouth leg (C)
1 x Leg (B)



2 x Regular Legs (A)



1 x U Shape mounting bush
3 x Regular mounting bush



1 x Outlet hole cover
1 x Washer



5 x Long Screws



5 x Wall Plugs



2 x Long screws
2 x Short screws



4 x Grub Screws
1 x Allen Key

Installation

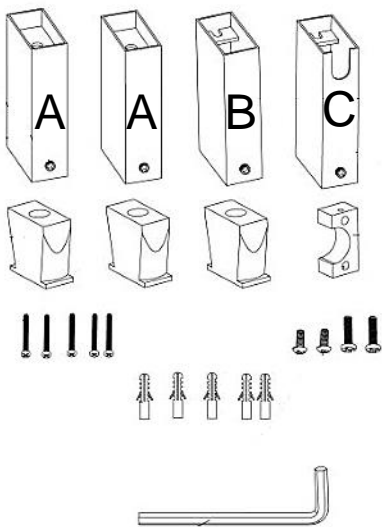
Mounting:

Please note: Goldair advise that the towel rail should be installed by a professional.
Please read the safety information on the previous page carefully before mounting.

1. First, select which method of cord entry your installation situation requires – exposed or concealed. (please see images below as an indication to the differences)

2. The accessory pack contains a set of 4 legs for your heated towel rail – one of which is a universal leg

a) For a **concealed cord** entry, you require the additional plastic cover to conceal the cord cutout as shown below.



Typically, a concealed cord entry is used for a new home or new bathroom installation where no existing outlet is present

OR

b) For an **exposed cord** entry you require the addition of a cord grommet to the cord cutout.



Typically, an exposed cord entry is used for retro-fit installations where an existing permanent connection outlet is already wired

Installation (continued)

3. You must next select which side of the towel rail is needed to be wired in. The heated towel rail within this box has two wiring options (left or right hand). The location of existing wiring through or on the wall will dictate which side you will use.

For Left hand wiring no change is required from how the rail comes out of the box.

Fix the leg over the looped wire (Picture A) and secure to the towel rail.

Now set the other Leg (C) either as exposed in internal wiring

For Right hand wiring, you must **push feed (do not pull)** cord through to the side with the loop. Then shorten cable to the desired length for termination (Picture A,B)

You may need to remove some of the black sheath covering if doing exposed wiring (Picture C,D with grommet included)

Picture A



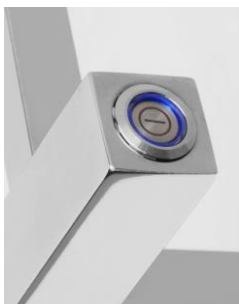
Picture B



Picture C



Picture D

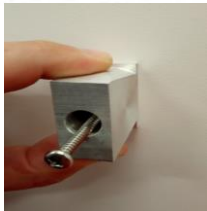
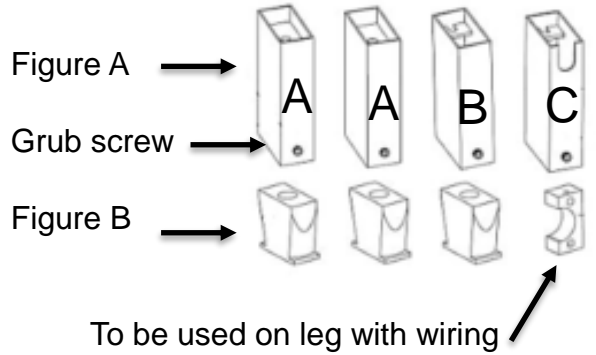


Note: Ensure the ON/OFF switch is located at the top of the towel rail



Installation (continued)

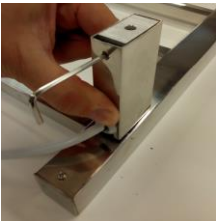
4. Select desired spot to mount towel rail with at least 300mm clearance from all permanent objects in surrounding area and 600mm above the floor. The Ladder Towel Rail should be installed in accordance to local governing New Zealand regulations. The Goldair Heated Ladder Towel Rail can only be mounted 1 way with wiring at the bottom.



5. Use mounting bushes and longest screw to attach to wall
Figure B



6. To connect the Leg to towel rail use screwdriver through the leg and tighten

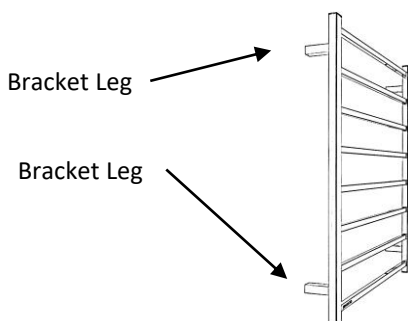


7. To mount to the wall use legs (figure A) over mounting bushes Figure B then tighten grub screw with allen key

7. It is recommended that to mount your Goldair towel rail, first measure the distance between the mounting brackets. Then, relay the points onto the wall you are mounting your towel rail too, use a spirit or laser level and only make drill holes when you are 100% sure of your measurements

– no responsibility will be taken by Goldair for instances where installers drill incorrectly

Side View of Towel Rail



Top View of Towel Rail



Electrical Installation

This appliance **MUST** be installed in accordance with the relevant wiring rules and regulations and in particular those regulations which cover installation of appliances and accessories in damp situations such as bathrooms, showers, laundries and other areas with fixed water containers. It is to be fitted in accordance with applicable Australian/New Zealand standards (AS/NZS).

The means for disconnection must be incorporated in the fixed wiring in accordance with the wiring rules.

WARNING: In order to avoid a hazard for very young children, this appliance should be installed so that the lowest heated rail is at least 600 mm above the floor.

Special purpose tools are required for the replacement of the power supply cord and element. Contact an Authorised Service Agent for service.

PLEASE NOTE: There is a blue indicator light ON/OFF switch located on the top of the towel rail.

PLEASE NOTE: Goldair takes no responsibility for instances where walls/tiles have been drilled without correct measurements being taken by the installer – ensure you have the correct measurements before drilling any holes.

PLEASE NOTE: Goldair takes no responsibility for instances that occur where heated towel rails have not been installed according to AS/NZS standards.

ELECTRICIAN INFORMATION

- A copy of this User Manual should be left with the consumer for future reference.
- A means for disconnection must be incorporated in the fixed wiring in accordance with the wiring guidelines AS/NZS 3000:2007.

Operating your Towel Rail

HEAT CONTROL

These towel rails run at a single temperature. Be aware they do get very hot to the touch.

CAUTION: The Towel Rail generates heat during use. Proper precautions must be taken to prevent the risk of burns, scalds, fires or other damage to persons

Do not attempt to dismantle the Towel Rail. There are no user serviceable parts. For service or repair, contact an authorised electrical service technician.

CARE AND CLEANING

The Towel Rail requires regular cleaning to ensure longevity of the product.

Turn off the isolating switch before cleaning. For additional protection, turn the mains supply off before cleaning.

Ensure that the towel rail has been allowed to cool down completely before cleaning.

Use a damp cloth (not wet) to wipe the exterior of the towel rail to remove dust and dirt.

Never use solutions such as benzene, thinners or polishing agents.

Never use abrasive materials like steel wool / scourers to scrub the towel rail.

Ensure the Towel Rail is dry before switching back on the mains supply and isolating switch.

DO NOT USE ANY ABRASIVE OR CORROSIVE CLEANERS.

RUST

Surface rust can occur on stainless steel over time. To avoid this the Heated Towel Rail is best wiped down from time to time with a damp cloth and a stainless-steel cleaner. Fine scratching can be removed using a metal polish such as 'Autosol' or 'Brasso' Paste which are available from most supermarkets and car care shops.

PROOF OF PURCHASE

To receive warranty, retain receipt as proof of purchase.

Goldair[™]

SUPPORT AND TECHNICAL ADVICE

Goldair – New Zealand

Monday – Friday 8am-5pm

Phone +64 (0)9 917 4000

Phone 0800 232 633

info@cdb.co.nz

Goldair – Australia

Monday – Friday 8am-5pm

Phone +61 (0)3 9336 4423

Phone 1300 465 324

info@cdbgoldair.com.au

Three Year Warranty

Thank you for purchasing this Goldair product. Your product is warranted against faults and manufacture when used in normal domestic use for a period of **three years**. In non-domestic use Goldair limits the voluntary warranty to **three months**.

Goldair undertake to repair or replace this product at no charge if found to be defective due to a manufacturing fault during the warranty period.

This warranty excludes damage caused by misuse, neglect, shipping accident, incorrect installation, or work carried out by anyone other than a qualified electrical service technician.

PLEASE KEEP YOUR RECEIPT AS THIS WILL HELP VERIFY YOUR WARRANTY.

The benefits given to you by this warranty are in addition to other rights and remedies available to you under law in relation to the goods or services to which this warranty relates.

In Australia, our goods come with guarantees that cannot be excluded under the Australian Consumer Law. You are entitled to a replacement or refund for a major failure and compensation for any other reasonably foreseeable loss or damage. You are also entitled to have the goods repaired or replaced if the goods fail to be of acceptable quality and the failure does not amount to a major failure.

In New Zealand this warranty is additional to the conditions and guarantees of the Consumers Guarantee Act (1993).

Goldair – New Zealand

CDB Goldair
PO Box 100-707
N.S.M.C
Auckland

Phone +64 (0)9 917 4000
Phone 0800 232 633
www.goldair.co.nz

Goldair – Australia

CDB Goldair Australia Pty
PO Box 574
South Morang
Victoria, 3752

Phone +61 (0)3 9365 5100
Phone 1300 GOLDAIR (1300 465 324)
www.goldair.com.au

Goldair Two Year Warranty (IMPORTANT: Please complete and retain this warranty card)

Name _____

Address _____

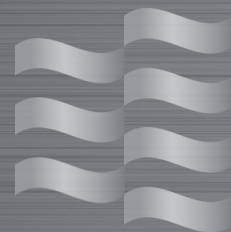
Place Of Purchase _____ Date Of Purchase _____

Name Of Product _____ Model Number _____

Attach a copy of the purchase receipt to this warranty card

Goldair™

PLATINUM



CDB  Goldair™

New Zealand
PO Box 100707,
North Shore Mail Centre,
Auckland, 0745
www.goldair.co.nz

Australia
PO Box 574,
South Morang,
Victoria, 3752
www.goldair.com.au