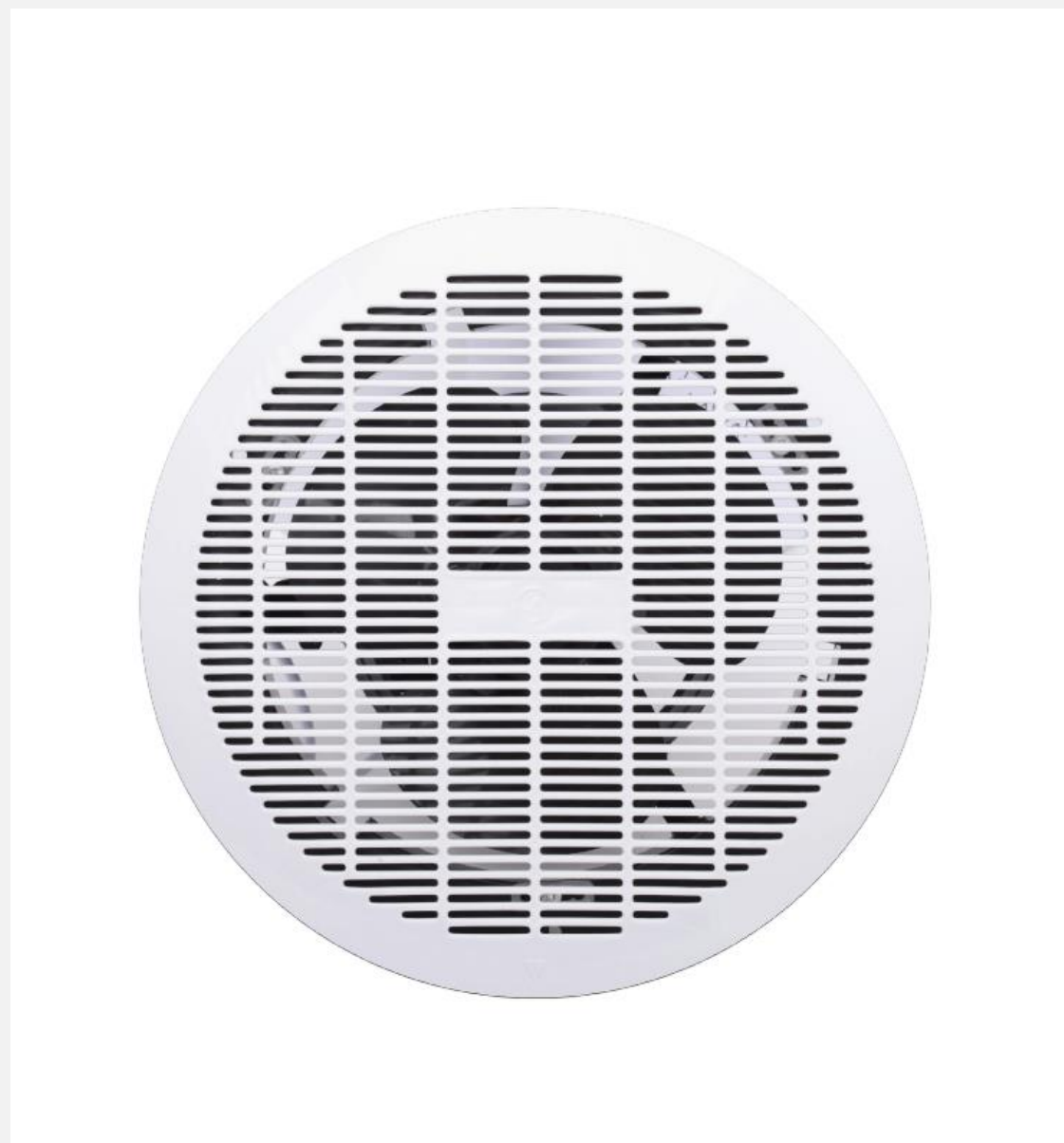


Goldair™



Operating Instructions

Contemporary Extractor Fan



For Model: GEX200W

General Care and Safety Guide

Thank you for choosing GOLDAIR. Your GOLDAIR Ceiling/Wall Extractor Fan has been designed and manufactured to high standards of engineering. With proper use and care, as described in this leaflet, you can expect years of service. Please read these instructions carefully.

GENERAL CARE AND SAFETY GUIDE

Please read all instructions carefully before using your extractor fan and keep them for future reference.

- Use only the voltage specified on the rating plate of the appliance.
- Do not cover or restrict airflow as the appliance may overheat and become a fire risk.
- Do not mount appliance close to any heat source.
- Do not install the unit directly above shower or bath recesses or enclosures.
- Do not operate in areas where petrol, paint or other flammable liquids are used or stored.
- Do not insert or allow foreign objects to enter any point of the appliance, as this may cause an electric shock, fire or damage to the appliance.
- Do not immerse in liquid or allow liquid to run into the interior of the appliance, as this could create an electrical shock hazard.
- Do not operate after the appliance malfunctions, has been dropped/damaged in any manner.
- Do not operate the appliance with wet hands.
- Use this appliance only as described in this manual. Any other use is not recommended by the manufacturer as it may cause fire, electric shock or injury.
- Do not connect the appliance to the electrical supply until completely assembled.
- This appliance is intended for household use only and not for commercial or industrial use.
- This appliance is not intended for use by persons (including children) with reduced physical, sensory or mental capabilities, or lack of experience or knowledge, unless they have been given supervision or instruction concerning use of the appliance by a person responsible for their safety
- Young children should be supervised to ensure they do not play with the appliance
- This Goldair product is designed only to be used as a fixed ventilation product, installed into a wall or the ceiling. If the product is installed or used for any other purpose the warranty will be void.
- If the supply cord is damaged, it must be replaced by the manufacturer, its service agent or similarly qualified persons in order to avoid a hazard.
- Ensure that the fan is switched off from the supply mains before removing the guard.
- The Fan must be installed so that the blades are more than 2.1 meters above the floor.
- This unit is not suitable for use with exhaust ducting.

General Care and Safety Guide (continued)

The unit can be installed in any room that requires circulated air flow such as bathrooms, ensuites, laundries, etc.

For maximum efficiency to remove steam and odours, there must be an adequate air flow within the room. To obtain maximum air flow ensure there is a gap under doors or open windows. A good test for this is that the fan should not change speed (or sound) when you close or open the bathroom door.

230-240V 50Hz electrical supply is required. The unit can be connected to a lighting or power circuit if loading permits. Means for disconnection must be incorporated in the fixed wiring in accordance with the wiring rules. All electrical work must be carried out by a registered electrician in accordance with AS/NZS 3000:2007 (please consult your local electrician for information).

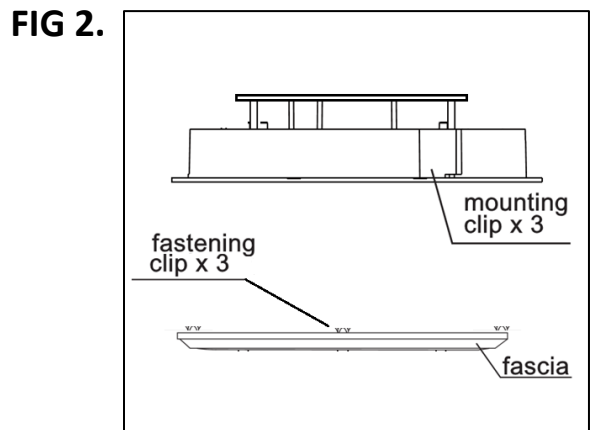
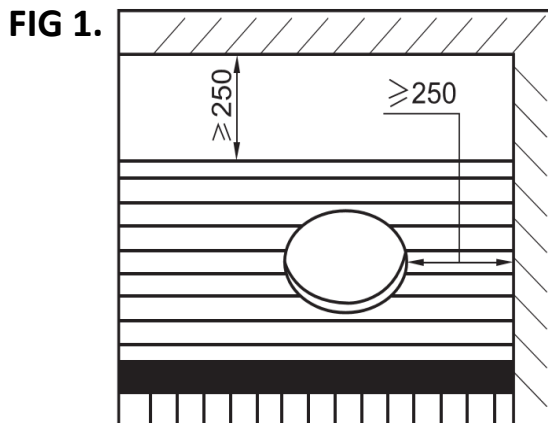
Before performing any wiring ensure the mains power is off and the circuit is fully isolated.

Installation Instructions

CEILING/WALL INSTALLATION:

- Position the fan at least 0.25m away from side walls.
 - The fan is to be installed so that the blades are more than 2.1m above the floor.
1. Position the fan in your desired location, ensure you are aware of all existing timer and electrical cables in walls and ceilings.
 2. Before commencing any cutting, check in the ceiling space that there are no obstructions such as ceiling joists or beams and there is sufficient height and wall clearance for the housing (no less than 250mm in either direction, FIG 1).
 3. Mark the surface carefully then cut a circular hole to size. Cut out size is listed in the table below. We do recommend you measure the physical product to ensure the hole being cut is to size and accurate.
 4. Remove the fan grille, simply pull free of the frame.
 5. Route the main cable through the cable entry and connect the Live (L) and Neutral (N) cables. We recommend this is completed by a registered electrician.
 6. Before inserting the fan into the opening, push the three bar clamps all the way out to hold the fan in the ceiling. Push the fan into the ceiling opening and secure the exhaust fan by tightening the screws securely.
 7. Place the grille over the fan assembly and push up until it snaps into place.

Model	Input	Power	Air Volume	Cutout Size
GEX200W	220-240V~	25W	272m ³ /h Max	240mm



PROOF OF PURCHASE

To receive warranty, retain receipt as proof of purchase.

Goldair[™]

Goldair – New Zealand
Monday – Friday 8am-5pm
Phone +64 (0)9 917 4000
Phone 0800 232 633
info@cdb.co.nz

SUPPORT AND TECHNICAL ADVICE

Goldair – Australia
Monday – Friday 8am-5pm
Phone +61 (0)3 9336 4423
Phone 1300 465 324
info@cdbgoldair.com.au



One Year Warranty

Thank you for purchasing this Goldair product. Your product is warranted against faults and manufacture when used in normal domestic use for a period of **one year**. In non-domestic use Goldair limits the voluntary warranty to **three months**.

Goldair undertake to repair or replace this product at no charge if found to be defective due to a manufacturing fault during the warranty period.

This warranty excludes damage caused by misuse, neglect, shipping accident, incorrect installation, or work carried out by anyone other than a qualified electrical service technician.

PLEASE KEEP YOUR RECEIPT AS THIS WILL HELP VERIFY YOUR WARRANTY.

The benefits given to you by this warranty are in addition to other rights and remedies available to you under law in relation to the goods or services to which this warranty relates.

In Australia, our goods come with guarantees that cannot be excluded under the Australian Consumer Law. You are entitled to a replacement or refund for a major failure and compensation for any other reasonably foreseeable loss or damage. You are also entitled to have the goods repaired or replaced if the goods fail to be of acceptable quality and the failure does not amount to a major failure.

In New Zealand this warranty is additional to the conditions and guarantees of the Consumers Guarantee Act (1993).

Goldair – New Zealand

CDB Goldair
PO Box 100-707
N.S.M.C
Auckland

Phone +64 (0)9 917 4000

Phone 0800 232 633

www.goldair.co.nz

Goldair – Australia

CDB Goldair Australia Pty
PO Box 574
South Morang
Victoria, 3752

Phone +61 (0)3 9365 5100

Phone 1300 GOLDAIR (1300 465 324)

www.goldair.com.au

Goldair Two Year Warranty (IMPORTANT: Please complete and retain this warranty card)

Name

Address

Place Of Purchase

Date Of Purchase

Name Of Product

Model Number

Attach a copy of the purchase receipt to this warranty card

Due to continual design improvements, the product illustrated in this User Manual may differ slightly from the actual product.

Goldair™



CDB  Goldair™

New Zealand
PO Box 100707,
North Shore Mail Centre,
Auckland, 0745
www.goldair.co.nz

Australia
PO Box 574,
South Morang,
Victoria, 3752
www.goldair.com.au