

Goldair™



Operating Instructions

6 Burner BBQ with Turbo Zone and Side Burner



Model: GBQB260

SPIDER AND INSECT WEBS

Extremely important please read

Sometimes spiders, ants and other insects climb into the tube burners, gas lines and other areas of the BBQ. The insects can spin webs, build nests and lay eggs. The webs or nests can be very small, but they are very strong and can block the flow of gas.



To avoid this occurring, clean burners prior to use, after storing, at the beginning of your BBQ season or after a period of one month without use.

Guards are on the air intakes in an effort to reduce this problem, but it will not eliminate it. An obstruction can result in a “flashback” (a fire in the burner tubes).

The burner may still light, but the obstruction does not allow full gas flow to the burners.

NOTE: Complications arising from spider and insect webs build up inside gas lines and tube burners are expressly excluded from Warranty

BBQ

Please read these instructions & user manual carefully.

- Take extra care when unpacking and assembling your Goldair BBQ. Some edges may be sharp from the manufacturing process and may result in cuts if not handled with care.
- Before attempting to assemble your Goldair BBQ, ensure all parts are correct and contained within the box as per the components list.
- Goldair suggests laying out all components on a large flat surface and removing any plastic or protective material before assembling your BBQ.
- If your BBQ has lockable castors ensure these are locked before attempting to assemble otherwise the BBQ may move during assembling resulting in injury.
- Do not dispose of packaging until completely satisfied with assembly of your BBQ

Please refer to your user manual for operating instructions, further information or trouble shooting before you call the Customer Service number listed within the user manual.

- Lid must be in open position before lighting.
- When cooking with hood closed, all burners should be on low and never exceed maximum temperature of 250°C (450°F).
- Caution: hood maybe hot, avoid contact.
- Warning all surfaces are hot.

If your BBQ has any Stainless Steel please note the following:

Note: Stainless Steel will rust.

Failure to store with a BBQ cover, and to clean & maintain your BBQ regularly will result in Stainless Steel 'tea staining' & rusting. Consequently it will not be covered by the warranty.

Goldair recommends the use of stainless steel protectors & cleaners to also pro-long the life of your BBQ.

For use with ULPG.

Please refer to your user manual.

GAS LEAK TESTING

It is important that you leak test the BBQ before first use and every time the gas cylinder is refilled and reconnected to the BBQ.

When to Test:

The BBQ gas bottle, regulator & hose assembly should be checked for leaks, using the soapy water leak test, every time you reconnect your regulator to the BBQ gas bottle. You should also test after any long period of non-use, such as at the beginning of BBQ season.

What to use:

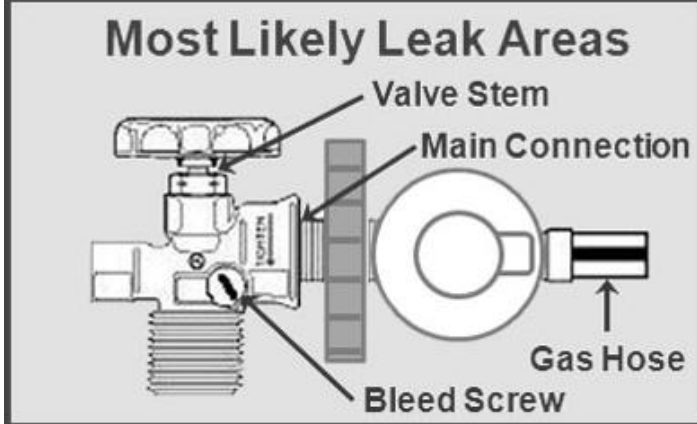
You will need a soapy water solution to check for any leaks. Mixing liquid hand soap with water will work fine (do not use any other household cleaning products).

To complete a Leak Test:

- Make sure all the control knobs are OFF.
- In a small container, mix up a solution of water and detergent/soap. Mix the solution well (about the same concentration as washing up water).
- Turn the cylinder ON by rotating the knob to the open position.
- Using a brush or spray bottle apply the soap solution to the gas line and each join in the gas line including:
 - The gas connection at the inlet of the BBQ
 - The gas hose
 - The gas connection at the gas cylinder
- If bubbles appear, there is a gas leak.
- If the leak is at the connection, re-tighten and re-seal.
- If the leak is anywhere else or you cannot resolve the leak by tightening the connection

DO NOT PROCEED.

- Replace gas hose and regulator.
- Replacement hose and regulators can be purchased from your local BBQ retail specialist



- **Do not operate this BBQ before reading the instruction booklet.**
- **Do not place articles on or against this BBQ.**
- **Do not use or store flammable or combustible materials, chemicals or spray aerosols near your BBQ.**
- **Do not operate this BBQ indoors; the BBQ is for outdoor use only.**
- **Do not obstruct any ventilation of the BBQ.**
- **Do not light or operate with cover on.**
- **Never store a spare ULPG cylinder under or near your BBQ. This could cause excess pressure to be expelled through the relief valve resulting in fire, explosion, or severe personal injury including death.**
- **ULPG gas is heavier than air and will collect in low areas, proper ventilation is extremely important.**
- **Keep the ventilation opening of the ULPG cylinder enclosure free and clear from obstruction and debris.**
- **Do not insert any foreign objects into the valve outlet. Damage may result, causing a leak, possible explosion, fire, severe bodily harm or death.**
- **Children and adults should be alerted to the hazards of high surface temperature, burns and clothing ignition.**
- **Never leave children unattended in the area where the BBQ is being used.**
- **Do not store items of interest to children around, below or in the shelf of the BBQ.**
- **Never allow children to sit or stand on any part of the BBQ.**
- **Some users prefer cooking on Hotplates. You must always have at least 1 Grill plate to ensure adequate air flow. Fully covering your BBQ will create a safety hazard.**
- **PLEASE RETAIN THIS MANUAL FOR FUTURE USE**

Always choose a safe location for the BBQ, keeping in mind the safety precautions outlined. Ensure all packaging has been removed from the unit before use.

NOTE

This BBQ shall only be used in an above ground open air situation with natural ventilation, without stagnant areas, where gas leakage and products of combustion are rapidly dispersed by wind and natural convection.

Any enclosure in which the BBQ is used shall comply with one of the following:

An enclosure with walls on all sides, but at least one permanent opening at ground level and no overhead cover. (Refer to Figure 1).

Within a partial enclosure that includes an overhead cover and no more than two walls. (Refer to Figure 2 and Figure 3).

Within a partial enclosure that includes an overhead cover and more than two walls, the following shall apply:

- At least 25% of the total wall area is completely open, (refer to Figure 4), and
- At least 30% of the remaining wall area is open and unrestricted, (refer to Figure 5)

In the case of balconies, at least 20% of the total wall area shall be and remain open and unrestricted.

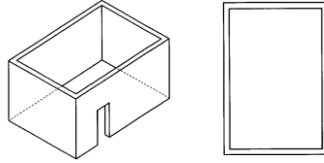


Figure 1 - Enclosure with walls on all sides but no overhead cover

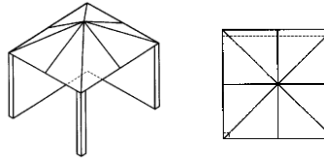


Figure 2 - Partial Enclosure with overhead cover and no more than two walls

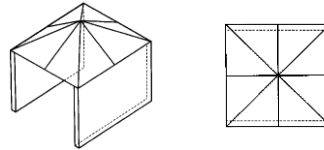


Figure 3 - Partial Enclosure with overhead cover and no more than two walls

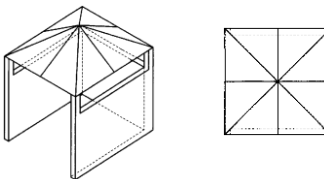


Figure 4 - Open side at least 25% of total wall area. 30% or more in total of the remaining wall area is open and unrestricted.

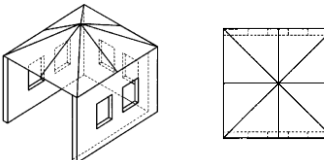


Figure 5 - Open side at least 25% of total wall area. 30% or more in total of the remaining wall area is open and unrestricted.

A strong gas smell or hissing sound of escaping gas indicates a serious problem with the BBQ or ULPG cylinder. Failure to immediately follow the steps listed below could result in a fire or explosion that could cause serious injury, death or property damage.

- Shut off gas supply at cylinder
- Turn the control knobs of the BBQ to the off position
- Extinguish any open flame
- Open the BBQ hood
- Get away from the ULPG cylinder
- Do not try and fix the problem yourself
- If gas odour continues or you cannot extinguish fire, call fire brigade

To prevent fire and smoke damage, remove all packaging material before operating BBQ.

HOSE ASSEMBLY AND SAFETY

A leak test (**Procedure located on Page 3 of this manual**) must be carried out prior to using the BBQ for the first time and each time the gas cylinder is refilled, or each time the gas hose and gas regulator have been disconnected. Check all gas hose and line connections for damage, cuts or cracks each time you use the BBQ.

If the hose shows signs of deterioration or damage, complete a leak test to identify any leaks and if required replace the hose.

The hose must remain free of kinks and sharp bends. Never puncture or put stress on the hose or fittings. Hose connection is located at the lower front area on the right side wall of the main body of the BBQ.

Replacement hose and regulators can be purchased from your local BBQ retail specialist. Leak Test procedure is located on Page 3 of this manual.

BURNERS

The location of the tube burner to the jet is vital for safe operation. Check to assure the jets are inside the burner tubes before using the gas BBQ



Regulator : UL 144 Type 698

Hose: AS/NZS 1869 , 81cm

GAS CYLINDER INFORMATION

1. This BBQ is designed to be used with a gas cylinder not exceeding 9KG.
2. The gas cylinder supply valve must be turned off when the BBQ is not in use.
3. Gas cylinders must be stored outdoors, out of reach of children and must not be stored in a building, garage or any other enclosed area.
4. The gas cylinder used must incorporate a safety collar to protect the valve assembly.
5. Never store a spare cylinder under the BBQ shelves or inside the trolley housing. Any ULPG cylinder not attached to the BBQ for use should be stored outdoors and well away from the BBQ.

IMPORTANT

1. When disconnecting and removing the gas cylinder for the purpose of refilling, always follow these procedures.
2. Ensure that all gas control valves on the BBQ and the gas cylinder are turned off before disconnecting the regulator from the cylinder.
3. Do not smoke or use a naked flame near the BBQ or gas cylinder while disconnecting the gas line between the BBQ and gas cylinder.
4. Remove the gas cylinder from the enclosure before disconnecting the regulator from the BBQ.
5. Tighten all connections before placing the gas cylinder back in to place.
6. The gas leak testing procedure should be conducted every time the gas cylinder is refilled and reconnected to the BBQ prior to using the BBQ (**Procedure located on Page 3 of this manual**).

Warning

For safe use of your BBQ and to avoid serious injury:

DO NOT let children operate or play near the BBQ.

KEEP BBQ area clear and free from materials that burn.

DO NOT block holes in bottom or back of BBQ.

Check burner flames regularly.

Use BBQ in well-ventilated space. NEVER use in enclosed spaces such as a carport, garage, porch, covered patio, etc.

DO NOT use charcoal or ceramic briquettes in a gas BBQ.

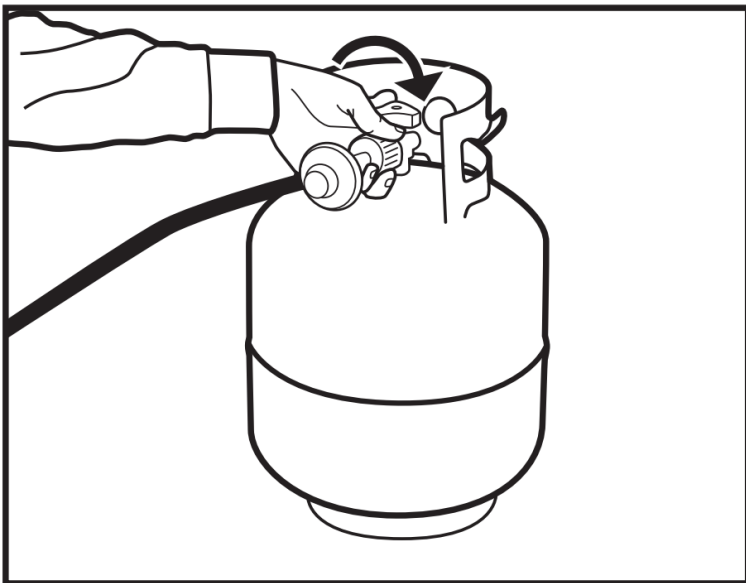


REGULATOR CONNECTION

1. Check that all control knobs are in the 'Off' position.
2. Make sure the cylinder valve is off.
3. Remove the protective cap from the cylinder, if present.
4. Leak test the connection with a soapy water solution (**Procedure located on Page 3 of this manual**)

NOTE

1. Never use a rusty or dented gas cylinder with a damaged gas valve
2. Never fill the gas cylinder beyond 80% capacity
3. Always have the gas cylinder filled by an authorized ULPG supplier
4. If you have any questions concerning assembly or operation, consult your dealer or ULPG Gas Company.
5. When used always place the BBQ and cylinder on flat level ground.
6. You will need to have the ULPG cylinder serviced or replaced every ten years. The date of the last service should be stamped on the neck of the bottle.
7. Always use a spanner to tighten all gas fittings.



- Do not leave food unattended on the BBQ.
- In case of a fat fire turn gas off at cylinder immediately.
- Particular care must be taken when removing the fat drip tray. Hot fat can cause serious burn injuries.
- Proper clearance from combustible materials must be maintained at all times. The minimum clearances is as follows: Side: 1 metre Rear: 1 metre Ceiling: 1 metre.
- Turn off all gas valves including cylinder after use.
- Do not allow build up of unburned gas.
- Cool the BBQ before replacing the lid or cover.
- Accessible parts maybe very hot. Always keep children away from the BBQ.
- Always wear protective gloves when handling hot components.
- Never lean over BBQ when lighting.
- Never use BBQ with any cover on.
- Never dismantle control valves.
- Never modify the construction of the BBQ or the size of any burner, injector orifice or any other components. This will void your Warranty.
- Never move the BBQ during use.
- The use of unauthorised parts will void your Warranty and can create an unsafe environment and conditions of use.
- Never use charcoal or any other solid fuel in this BBQ.
- Never disconnect any gas fittings while the BBQ is in use.
- In the event that a burner goes out and gas escapes, turn off the burner knobs, open the BBQ hood fully and let it air out. Wait 5 minutes before attempting to relight the BBQ.
- Never let clothing, pot holders or other flammable materials come in contact with or close to any grill, burner or hot surface until it has cooled. Fabric may ignite and result in personal injury. Certain materials or items, when stored under or near the BBQ, will be subjected to radiant heat and could be seriously damaged.
- Clothing or other combustible materials should not be hung from the BBQ, or placed on or near the BBQ. Combustible materials are considered to be wood, compressed paper, plant fibres, plastic or other materials capable of being ignited and burned.

ASSEMBLY INSTRUCTIONS







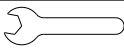
Individual components of this Barbeque could be sharp-edged. You should therefore wear safety gloves to avoid cuts.

Danger to life from suffocation/ swallowing. Keep the packaging material out of reach of children and dispose of it immediately. Also keep small parts out of their reach.

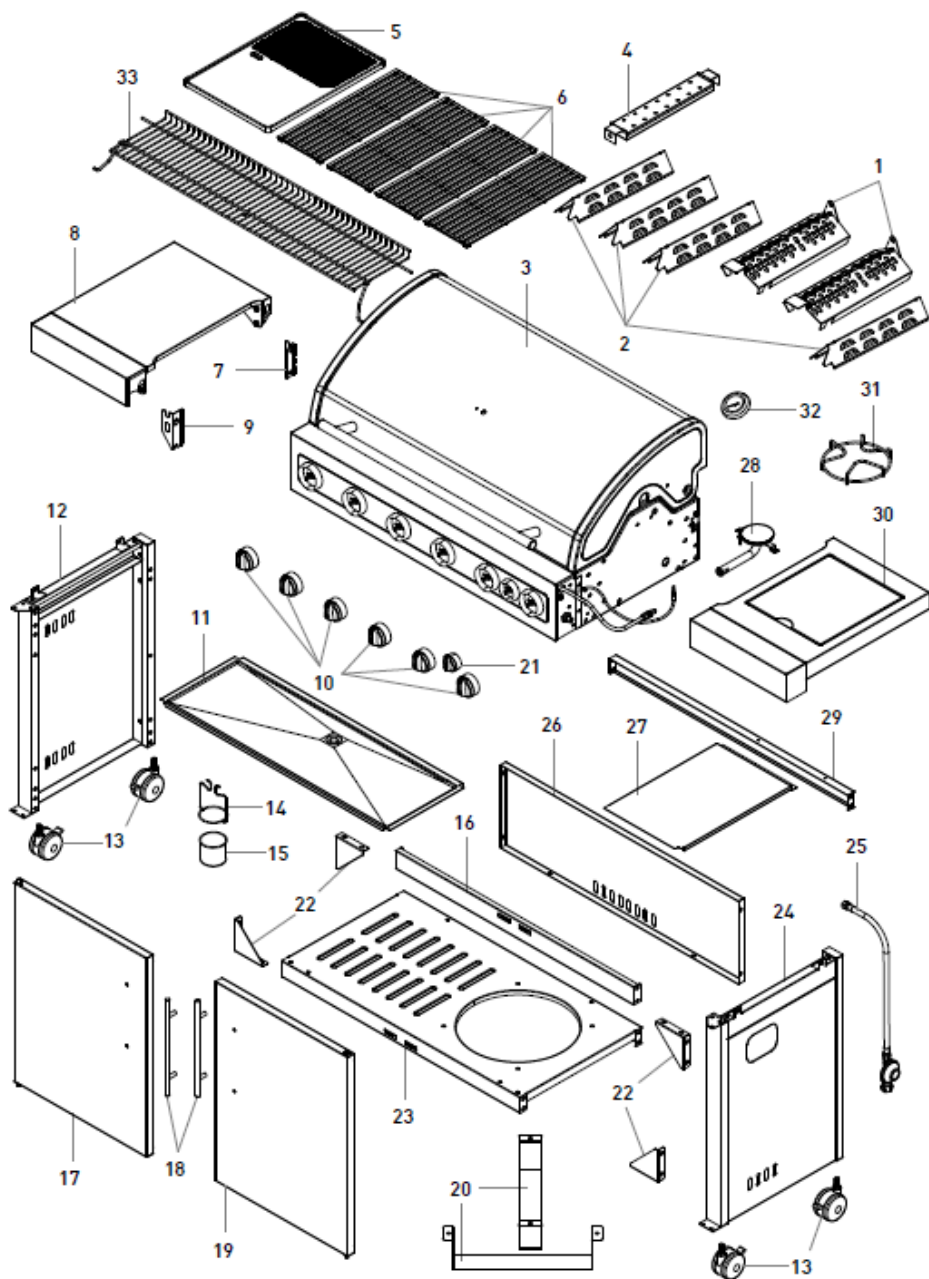
PARTS LIST

NR	DESCRIPTION	QTY
1	Flame Tamer (Turbo Zone)	2
2	Flame Tamer	4
3	Grill Body	1
4	Smoker	1
5	Cast Iron Hot Plate	1
6	Cast Iron Grills	4
7	Side Table Bracket B	1
8	Side Table- Left	1
9	Side Table Bracket A	1
10	Control Knobs (Large)	6
11	Grease Drip Tray	1
12	Side Trolley Panel- Left	1
13	Castors	4
14	Grease Cup Hook	1
15	Grease Cup	1
16	Trolley Bracket- Front	1
17	Left Door	1
18	Door Handles	2
19	Right Door	1
20	Cylinder Support Bracket	2
21	Control Knobs (Small)	1
22		4
23	Bottom Trolley Panel	1
24	Side Trolley Panel- Right	1
25	Gas Pressure Regulator with hose	1
26	Rear Trolley Panel	1
27	Cylinder Heat Shield	1
28	Side Burner	1
29	Trolley Bracket- Rear	1

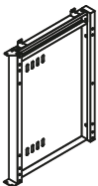
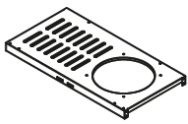

NR	DESCRIPTION	QTY
30	Side Burner Table- Right	1
31	Side Burner Rack	1
32	Thermometer	1
33	Cooking Rack	1

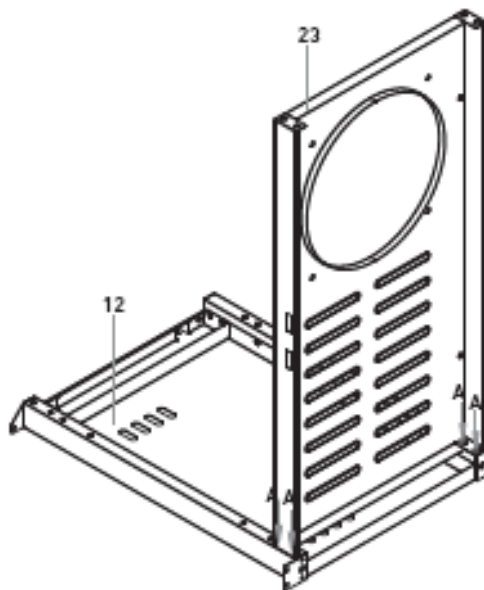
NR	DESCRIPTION	QTY
A	Screws M6 x 12 	49
B	Screws M4 x 10 Screw 	2
C	Self-Tapping Screws ST4 x 10 	2
D	Axle Sleeve 	2
E	Spanner 	1

PARTS DIAGRAM

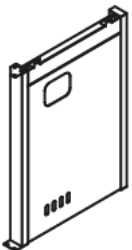



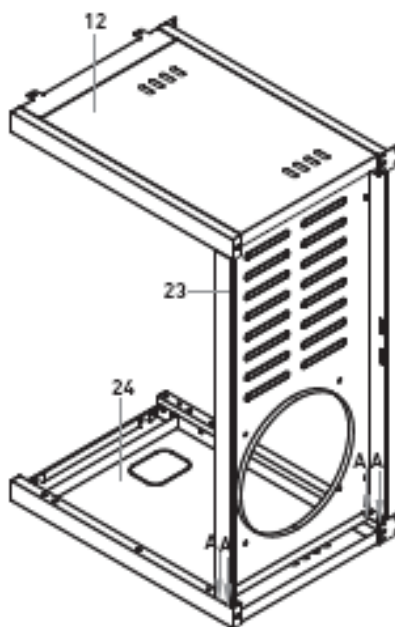
Step 1

Nr	Image	Qty
12		1
23		1
A	 M6 x 12	4

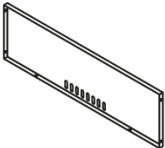




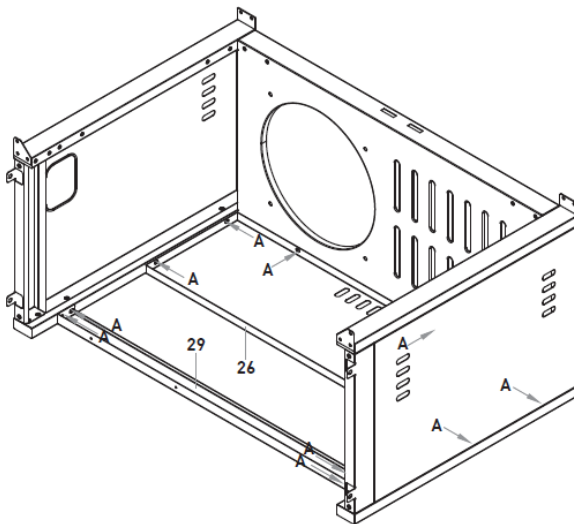
Step 2

Nr	Image	Qty
24		1
A	 M6 x 12	4





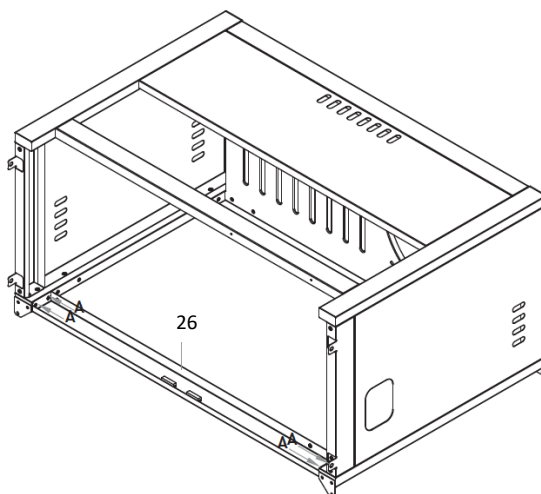
Step 3

Nr	Image	Qty
26		1
29		1
A	 M6 x 12	10





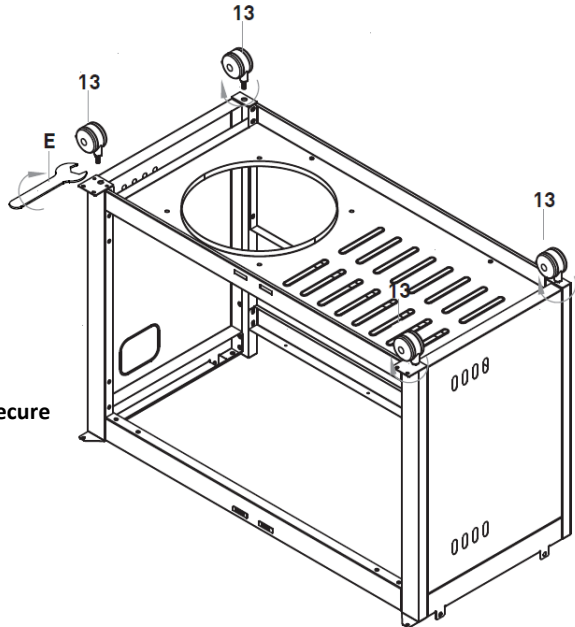
Step 4

Nr	Image	Qty
26		1
A	 M6 x 12	4





Step 5

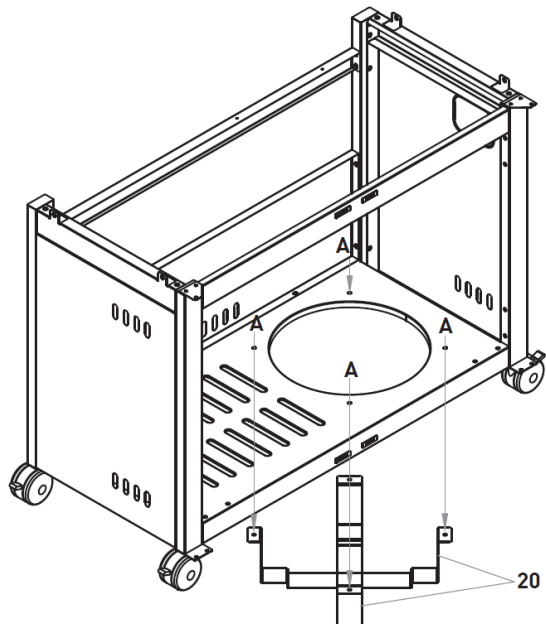
Nr	Image	Qty
13		4
E		1





Place the castors in position and secure by tightening with the spanner (E)

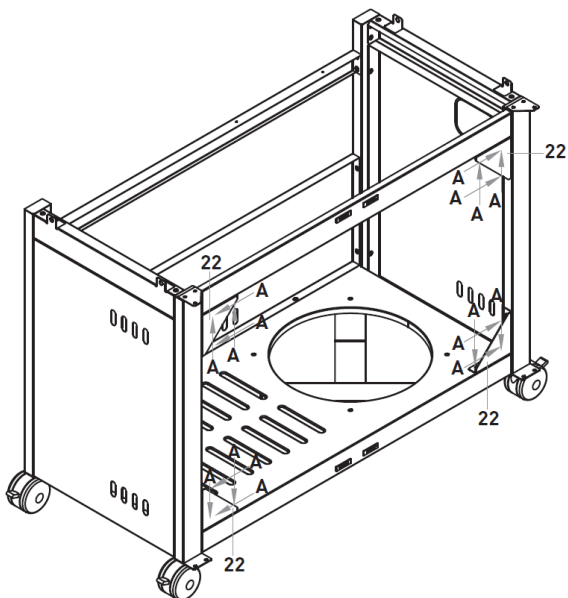
Step 6

Nr	Image	Qty
20		1
A	 M6 x 12	4





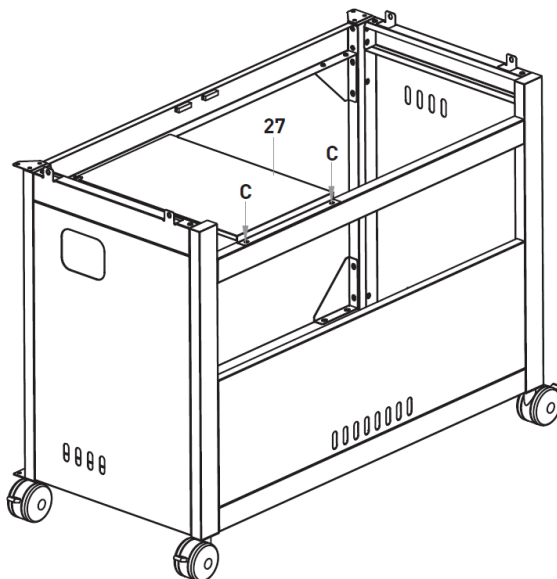
Step 7

Nr	Image	Qty
22		2
I	 M6 x 12	1

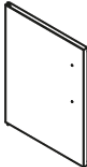




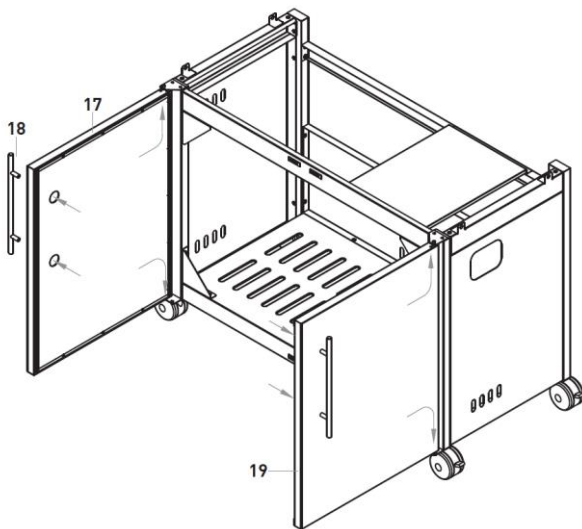
Step 8

Nr	Image	Qty
27		1
C	 ST4 x 10	2



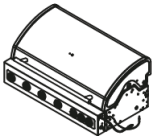

Step 9

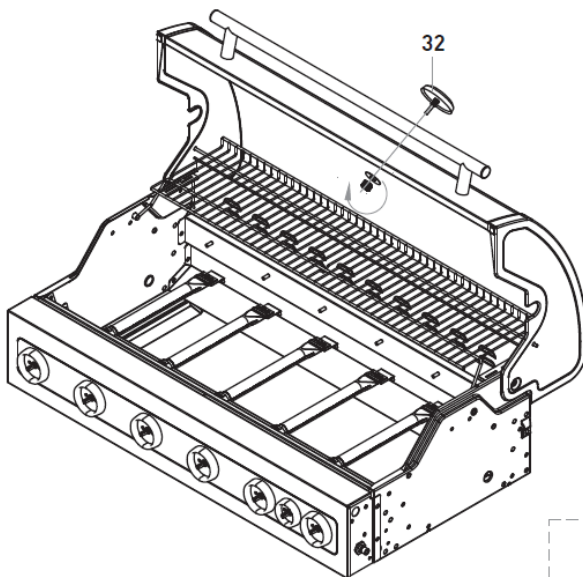
Nr	Image	Qty
17		1
18		2
19		1



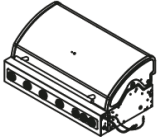



Remove the M4x5 screws (4PCs) from the handles, place the doors in position and secure in place with the removed M4x5 screws.

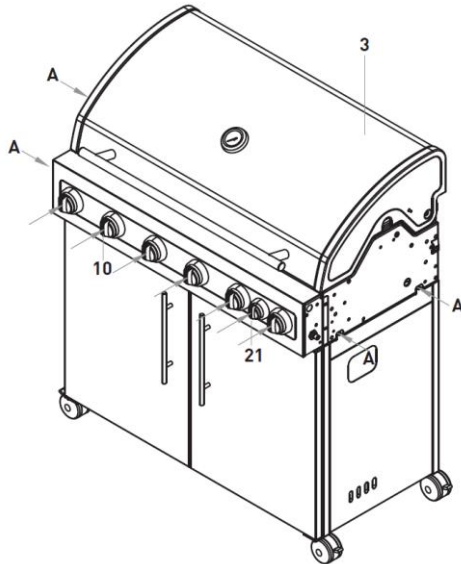
Step 10

Nr	Image	Qty
3		1
32		1





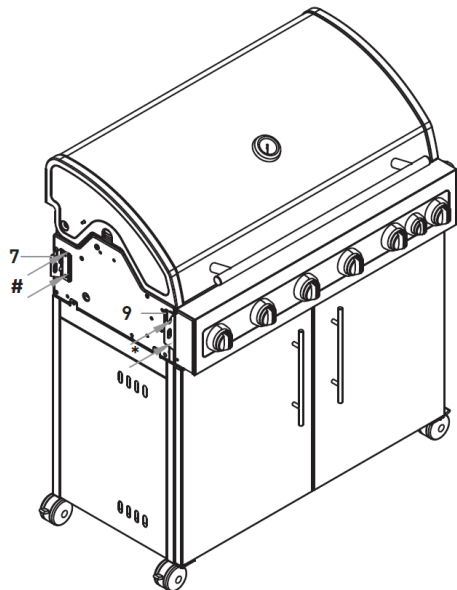
Step 11

Nr	Image	Qty
3		1
10		6
21		1
A	 M6 x 12	4






Step 12

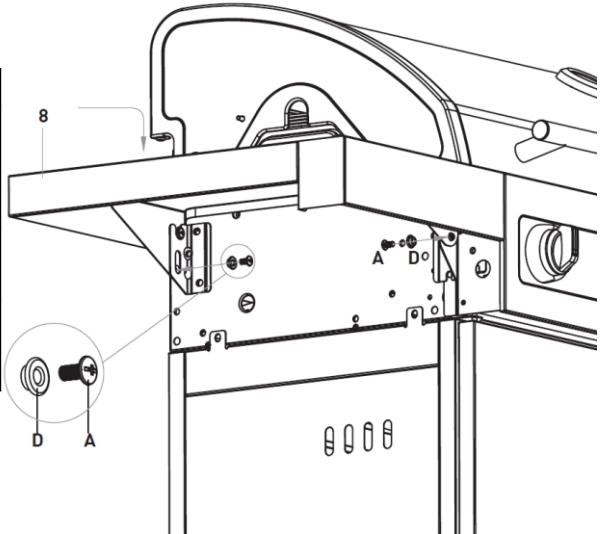
Nr	Image	Qty
7		1
9		1



Remove the loose M6 x 12 Screws (4 total) from the unit and secure the side brackets (7 and 9) with them

Step 13

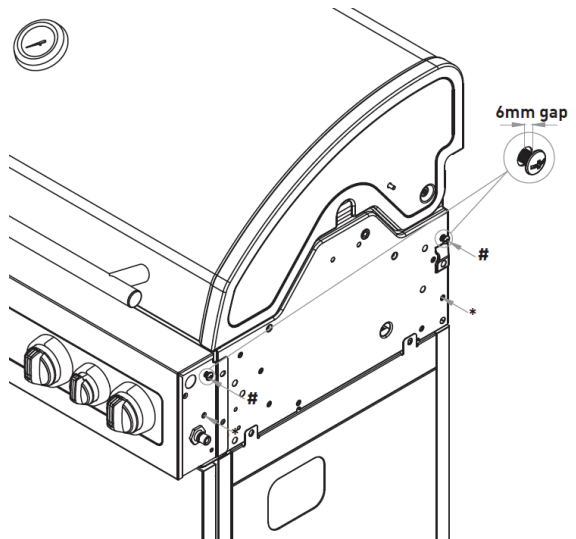
Nr	Image	Qty
8		1
A	 M6 x 12	2
D		2




Step 14

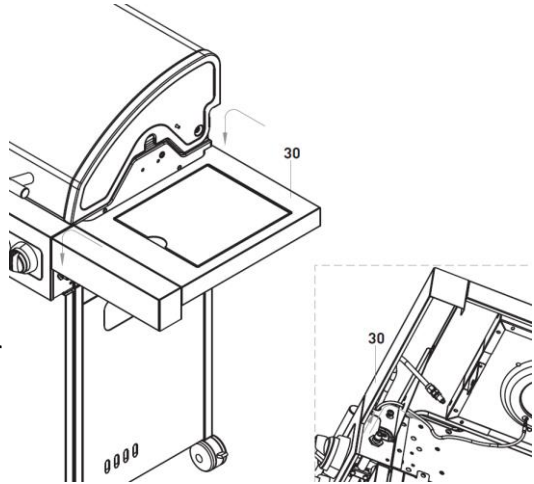
Remove the M6 x 12 screws (2pcs) from the grill and keep them in a safe place for Step 15.

* Loosen these screws (2pcs) leaving a 6mm gap as shown in the image



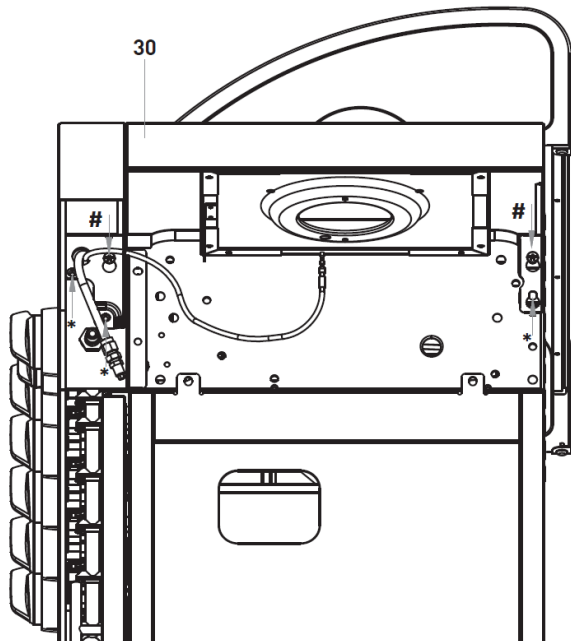
Step 15

Nr	Image	Qty
30		1



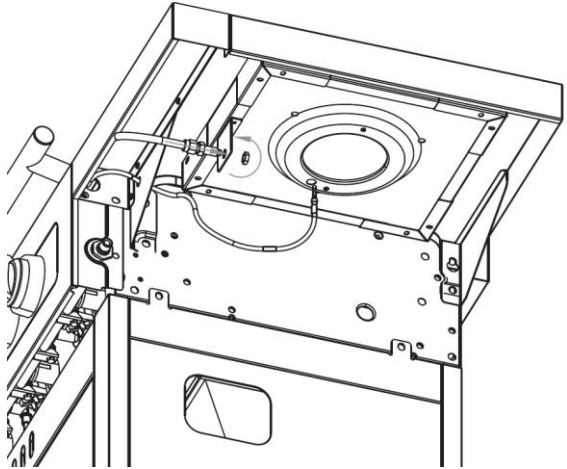
Hang the side burner table (30) over the pre-fixed screws and tighten with a screw driver.

* Using the screws removed in Step 17, position the side burner table (30) over the holes shown in the image and tighten to secure in place





Step 16

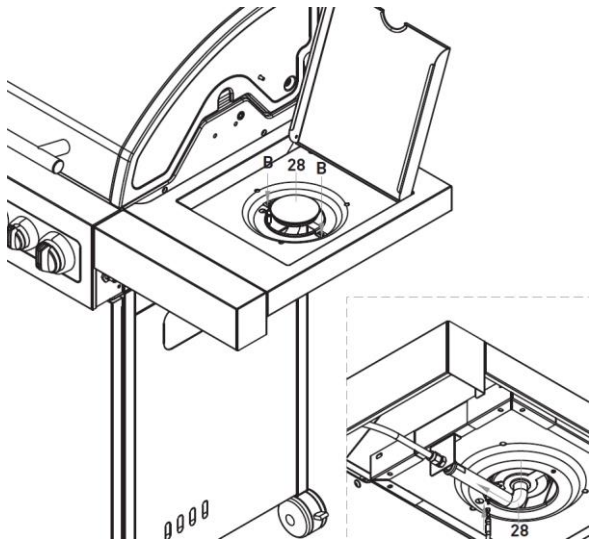
Thread the hose through the hole as shown in the image



Step 17

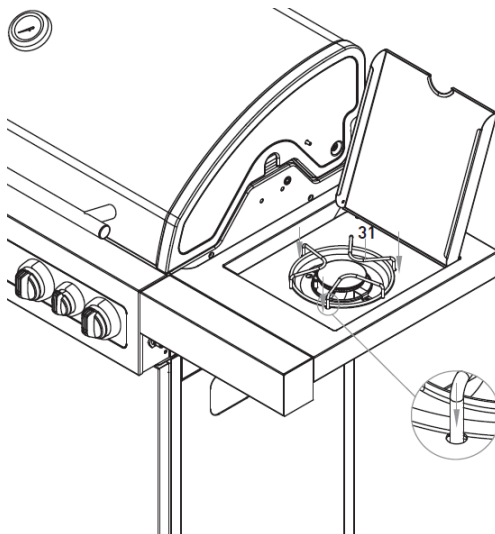
Nr	Image	Qty
28		1
B	 M4 x 10	2

Secure the side burner (28) in place with 2 x M4x10 screws and attach both pipes to the side burner as shown in the image




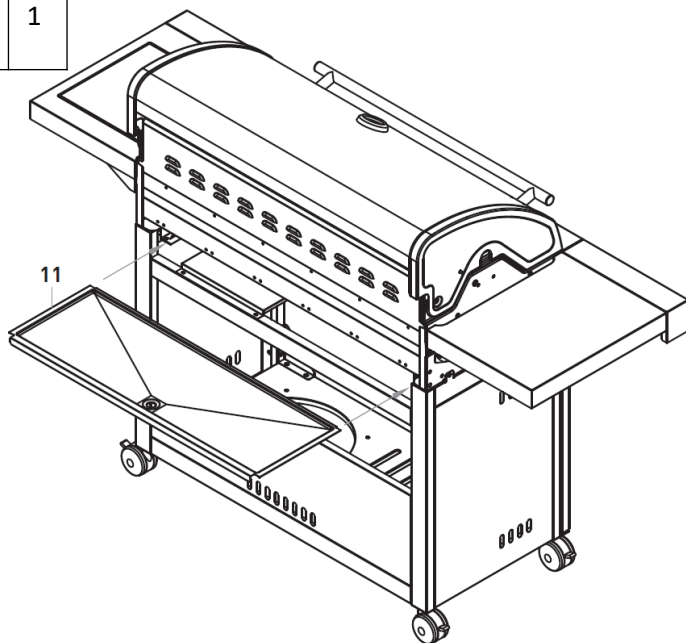
Step 18

Position the side burner rack on top of the side burner and secure in place using the holes as shown in the picture





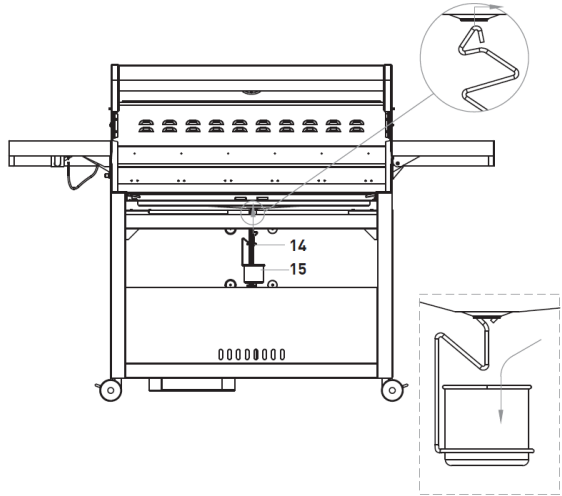
Step 19

Nr	Image	Qty
11		1





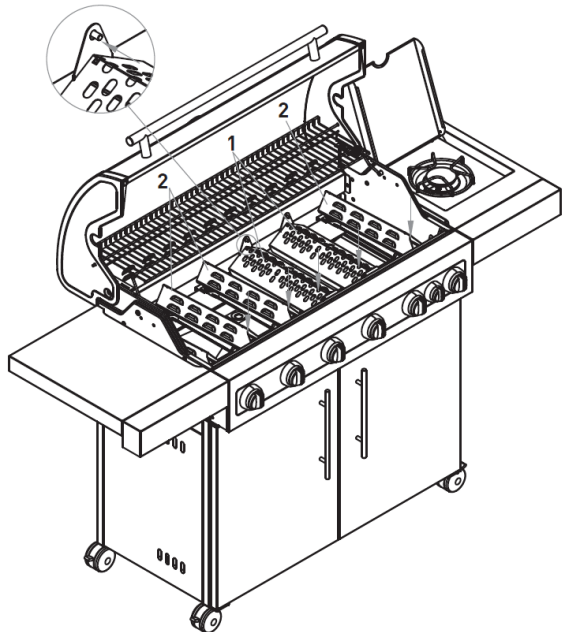
Step 20

Nr	Image	Qty
15		1
16		1





Step 21

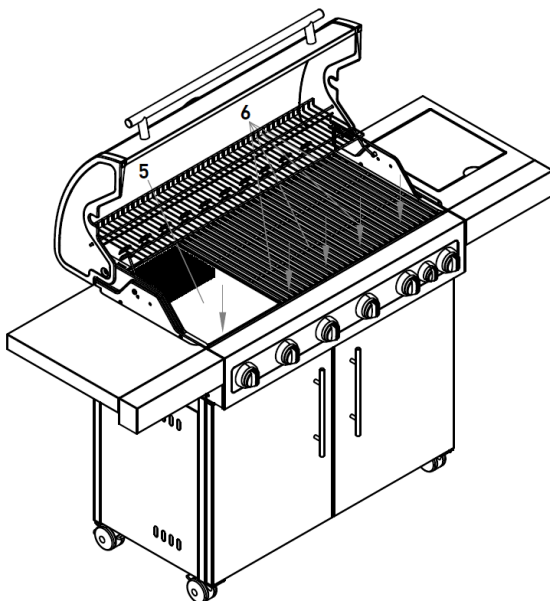
Nr	Image	Qty
1		1
2		1




Warning: The Turbo Zone flame tamer (1) must only go over the Turbo Zone burners.

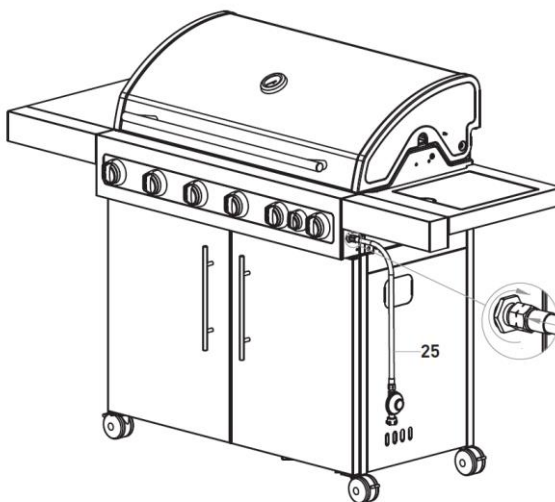
Step 22

Nr	Image	Qty
5		1
6		4

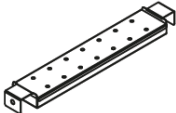


Step 23

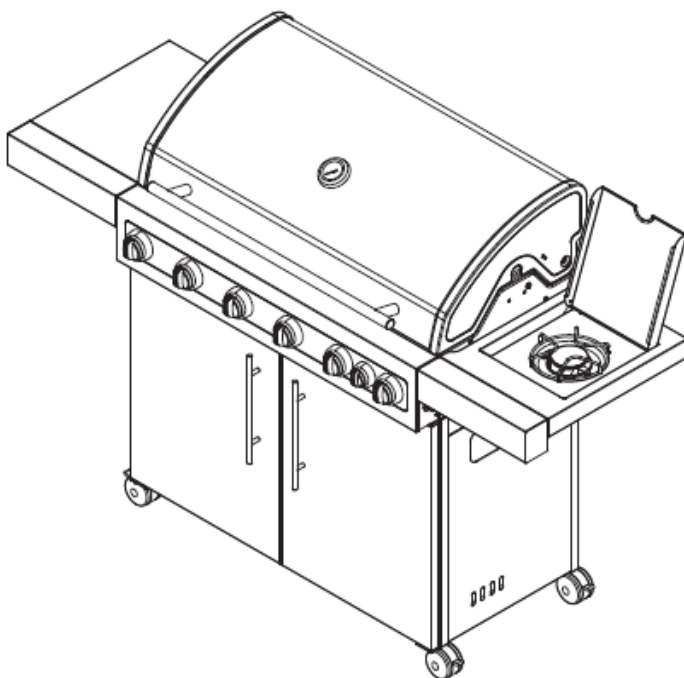
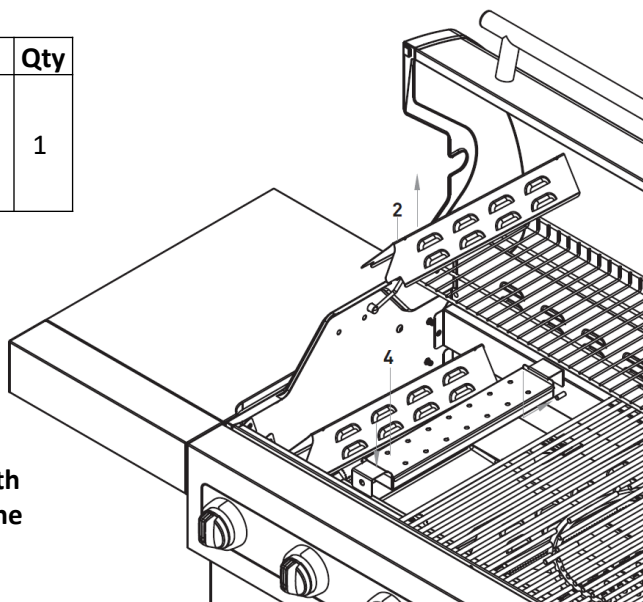
Nr	Image	Qty
25		1



Step 24

Nr	Image	Qty
4		1

When using the smoker, replace it with the flame tamer on the second burner from the left.



- Never leave burners on high for more than 10 minutes unless actually cooking. If the burner makes hissing sounds when lit, it may be burning inside. Turn burner off, allow it to cool and try again.
- Close the gas cylinder valve after each use.
- Never use plastic or glass utensils on the BBQ
- Never use the BBQ in strong winds
- Never lay the gas cylinder down (always keep upright)
- Never allow the flexible gas supply hose or any electrical cord to come in contact with any heated surface of the BBQ.
- Never lean heavily on the side shelves of your BBQ or attempt to transport your BBQ by lifting it from the side shelves.
- Before you start cooking for the first time, clean the BBQ thoroughly with hot soapy water. This is necessary to remove residuals and solvents, oil and grease, which may have remained from the manufacturing process. The hotplate and grill should be thoroughly cleaned in the same manner.



The Turbo Zone (control knobs with the red ring) will reach a higher temperature in a quicker time making it perfect for cooking excellent steaks. It is easy to operate, simply turn the red control up and the searing process of your steak can begin.

- Grilling in different heat zones enables a perfect result for any type of meat.
- Freely controllable grill zone with strong, direct heat for perfect steaks.
- Economical consumption
- From zero to maximum temperature in seconds, clearly recognizable by the visible red glowing stainless steel mesh of the flame tamer.

Lighting the BBQ

Lighting the BBQ is easy, but must be done with due care.

Make sure that the gas is turned on at the cylinder, or that gas is available to the BBQ. Also, if your BBQ has a roasting hood, ensure that the hood is up.

Spark Ignition

Push the knob control in and turn anticlockwise to the high position. You should hear clicking as the ignitor creates sparks to light the gas. Once lit, release the knob control button.

Manual Ignition

You can light your BBQ manually by holding a lit match next to one of the burners using the match holder, while the burner is on low. You can access the burners through the grill of your BBQ with the match holder.

Difficulty lighting

If the burner doesn't light first go, check the gas controls and try a couple more times. If the burner still does not light, wait a few minutes to allow the gas to disperse before trying again. If satisfactory operation cannot be achieved, consult your retailer before proceeding.

Note: Failure to follow the lighting procedures correctly can lead to a hazardous condition.

Controlling the flames

The knobs have three basic positions: Off, High and Low. You can achieve any flame height between low and high by rotating the BBQ control knob between these positions.

Checking the flame

Look underneath the BBQ so that you can see the flames. They should be a soft blue colour with yellow tips. If the flames are too yellow, there is too much gas and not enough air. The flame will be inefficient and will give off too much smoke. If the flame is too pale, there is too much air and not enough gas. If either of these situations occur you may need to clean the burners (See 'Maintenance' section of this manual).

Note: 'Blowback' is a situation where the flame burns inside the burner, towards the front. It can be recognised by a sharp roaring sound coming from the burner. It is not dangerous unless it is allowed to persist. If this occurs, simply turn the burner off, wait a few seconds then relight.

Before first use - Curing the cast iron

During manufacturing, the cooking surfaces (plates and grills) were coated with a non-toxic paint. If paint is missing in small areas this is not a fault. This paint will come off completely over time. Its purpose is to help protect your BBQ during transport and storage. Coat the top of the hotplates and grills with canola oil or something similar. Light the BBQ as described earlier. Leave the BBQ with all burners on low for about 30 minutes. Paint may come off at this time.

Now clean the surfaces with water and a brush.

Be careful of steam coming off the cast iron surface while doing this. The hotplates and grills are now cured and ready for use. This process only needs to be done the first time you use the BBQ.

For on-going protection of the cooking surfaces, follow the procedures in the 'Maintenance' section of this manual.

Controlling flare up

Flare-ups are sudden bursts of flame that come up over the top of the grill. They are caused by natural cooking juices from your food falling onto the flame tamer and then burning.

A little bit of flare-up, as well as the resulting smoke, is a good thing. It's what gives BBQ'd food that unique outdoor flavour. But if it happens too often, or if the flame last more than a couple of seconds, your food will char, so you need to control it.

First of all, cooking very fatty foods will cause a lot of flare up. You should trim excess fat off your meat. Also, excess flaring usually means your controls are up too high. Try turning them down.

Finally, moving the meat away from flaring will help reduce the problem. Some really fatty foods can only be cooked on the hotplate.

Turning off

When you've finished cooking, leave the burner controls on high for a maximum of 5 minutes to burn off excess grease from the flame tamer, the burner and other surfaces. To turn the BBQ off, it is best to turn the cylinder off first, and allow the gas left in the hose to burn off. This will only take a couple of seconds. Then turn off all burner controls. If your BBQ is connected to piped LPG, you can simply turn the burner controls off. It's okay to leave the cylinder connected to your BBQ while it's not in use.

Note: Failure to follow these shutdown procedures correctly can lead to a hazardous condition.

Avoid burning or charring food as this has been shown to be unhealthy.

Don't leave cooked food standing for too long before eating.

Keeping your food moist

It's easy to keep food moist and succulent on a BBQ by following these guidelines:

- Use tongs instead of a fork when turning meat and poultry. A fork pierces the flesh and causes the juice to seep out.
- Resist the temptation to keep turning meat over. Juices tend to rise to the top of a piece of meat, then settle. Each time you turn the meat over, the juices are lost. It's better to quickly sear the meat on both sides (about half a minute) then with the burner controls down low, leave the meat cook on one side, turning only once before serving.
- If you like salt with your food, try adding it at the end instead of before or during cooking. Salt draws the natural moisture out of the food and dries it out.
- Baste the food with light marinade or canola oil a couple of times while cooking, though watch out for excessive flare-up.

How covered cooking works

Place the food you wish to roast on one side of the BBQ. Turn on the burners that are not directly underneath the food. Make sure the burners that are directly under the food are turned off. This way the food receives no direct heat.

Moist, hot air rises from the burners and circulates around the food, trapping the juices and flavour.

Best results are achieved by using a roasting rack and drip pan.

Cooking times

Keeping the hood closed traps the heat, moisture and flavour that is normally lost on an open top BBQ. The result is that food cooks considerably faster, using less gas, and with a juicier, more even finish. Foods require less attention and less basting because the heat is less intense and moisture is more easily retained.

Grilling

Food may be cooked in about 3/4 the usual oven cooking time, producing well browned surfaces while still maintaining the foods natural juices.

Roasting

Larger joints of meat achieve similar results as in a conventional oven, except in about 2/3 the usual oven cooking time due to the natural convection effect created by the hood.

Tips

Although cooking on the plate looks easier, cooking on the Grill gives you a more authentic BBQ flavour. Natural juices drip onto the flame tamer then vaporise, with the vapours penetrating back into the food.

As an alternative to simply grilling, try marinating your meat, fish, poultry or vegetables first. The longer you leave the food to stand in the marinade, the more thoroughly the flavour will soak through. Several pre-made marinades are available and good recipes are easy to come by. It is best to leave food standing in the refrigerator.

If you use a tomato or sugar based sauce for basting, apply it in the last 5–10 minutes of cooking. Using these sauces over a longer period of time will result in over-browning.

To prevent meat from curling, slash the remaining fat at roughly 5cm intervals, taking care not to cut into the meat.

On-going Maintenance

Interior:

Plates and Grills

The best way to clean your BBQ plates/grills is to light-up the BBQ and leave it on with the hood down to warm-up for 10-15 minutes. After this time, remove excess fat, oils, cooking residue with paper towels or a cotton rag from plates/grills then take a long handled brush and a scraper and remove remaining oil and food scraps. You should use an oven mitt to avoid burning yourself. This can also be completed after each time you use your BBQ.

Depending on how often you use your BBQ you should also wash your plates/grills bi-monthly. After you have completed the steps above and have allowed time for the BBQ to cool, remove the plates/grills and wash with warm/hot soapy water. Wash off soapy water with warm/hot clean water, leave to air dry thoroughly and then lightly coat the plates/grills with canola oil before placing back into the BBQ.

Warming Rack, Flame Tamers

Remove and wash with warm/hot soapy water. Wash off soapy water with warm/hot clean water, leave to air dry and place back into BBQ. For stubborn stains on your warming rack, soak in hot soapy water.

The Drip Tray

It is a good idea to line the fat tray with aluminium foil to assist with cleaning. Also, placing absorbent material into the drip tray will avoid splashing and overflowing. Suitable absorbent material is available from your retailer. You should change the fat absorbent material regularly. Keep the drip tray clean to prevent a build up of grease. If you don't do this a fat fire can result. This can be quite dangerous, and will certainly void the Warranty on your BBQ.

Use caution when handling your Drip Tray, some trays have sharp edges.

Burners

Over time fat, marinades, juices, etc. can build-up and cover the port holes in your burners. This reduces gas and flame flow and may result in fires within the BBQ during cooking. Leaving the burners on for a maximum of 5 minutes with the hood open after you've finished cooking will remove most of this. However, you should check the burners periodically for any sort of blockage. In particular, you should ensure that the aeration vents are free of insect nests and spider webs. To clean the burners, let them cool down, then remove and inspect them. If any of the holes are clogged, gently tap the burner onto a hard surface to remove residue. Use a wire brush to unclog the holes. Then lightly coat the burners with canola oil for on-going protection

On-going Maintenance

Your BBQ requires regular maintenance (interior and exterior). The use of a BBQ cover in conjunction with the instructions below will help to ensure it remains in proper working order and maintains its appearance.

Exterior:

Stainless Steel BBQ's

Overtime grease, fat and other cooking oils may build up on your BBQ. To clean, wash with warm/hot soapy water. Wash off soapy water with warm/hot clean water, leave to air dry. Apply a stainless steel BBQ protector to stainless steel surfaces. This will apply a protective coating on the exterior of the BBQ and assist in repelling the elements.

Stainless steel will rust if you do not look after it properly.

From time to time spotting may occur on the exterior of your BBQ. This is normal and is due to moisture and/or other elements becoming trapped under the cover of your BBQ and building up (it is highly recommended that all BBQ's are stored under an eave with a cover to protect against the harsh New Zealand elements – any BBQ not stored and covered correctly will not be covered under Warranty). To ensure that spotting and discoloration does not become worse and more visible resulting in permanent damage to your BBQ, it should be cleaned and removed straight away. This is best done with a stainless steel cleaner/cutback solution, or if the spotting is larger and harder to remove, use a stainless steel/metal polish and then a cleaner/solution. Always use a soft cloth to clean your BBQ.

Never use abrasive heavy duty sponges or scouring pads on the exterior of your BBQ, these products will begin to remove the stainless steel finish resulting in an uneven surface and faster rusting in the future.

Powder Coated BBQ's

Overtime grease, fat and other cooking oils may build up on your BBQ. To clean, wash with warm/hot soapy water. Wash off soapy water with warm/hot clean water, leave to air dry in the sun if possible. Once dry, use a BBQ exterior cleaner, this will apply a protective coating on the exterior of the BBQ and assist in repelling the elements. Always use a soft cloth to clean your BBQ.

Never use abrasive heavy duty sponges or scouring pads on the exterior of your BBQ, these products will begin to remove the powder coated finish resulting in an uneven surface and may result in rusting in the future.

- Do not perform any repair or servicing on the BBQ yourself. This includes internal adjustment of the regulator and gas valves. This must only be carried out by authorised technicians. Your BBQ should be serviced annually by a certified gas service agent.
- Clean the drip tray regularly.
- “Burning off” the BBQ after every use (for approx 15 minutes) will keep excessive food residue to a minimum.
- The pressure regulator and hose assembly supplied with the BBQ must be used. Replacement pressure regulator and hose assembly must be those specified by the manufacturer. Replacement parts may be obtained from the manufacturer or your local BBQ retail specialist.
- Storage of this BBQ indoors is permissible only if the cylinder is disconnected and removed from the BBQ.
- Please note that the Goldair BBQ Cover (**if supplied with this model**) is not covered under your Warranty. The BBQ is for portable outdoor use and is not intended for permanent installation or installation in vehicles or boats.

Storing your BBQ

Your BBQ is designed to be used outdoors. However, just like a car, you will prolong the life of the BBQ if you store it out of direct exposure to the elements when not in use.

This can be done in many ways including the use of a waterproof cover. These are available from most BBQ retailers.

BBQ Covers

All BBQ's must be stored with a BBQ cover when not in use (regardless of whether the BBQ is stainless steel or powder coated) as per the Warranty. After use, allow your BBQ to cool completely before fitting the cover (the BBQ cover may melt or burn if placed onto a hot BBQ). Also condensation can occur when the BBQ cools down under the cover which can foster rust growth. Please note, a cover can foster a “micro-environment” where moisture, salts and fat deposits can develop when stored for long periods of time (typically this will occur during the Winter months when your BBQ is not used). During these longer periods of non-use a BBQ can develop stains and/or rust marks. It is important to check regularly (monthly) for any signs of these stains/rust and clean if needed. If surface stains and rust are left, over time they develop and can become very hard to remove, this is expressly excluded from your Warranty.

- Move the BBQ to a covered location. If you are storing it in a closed room (eg shed or garage) you should keep the cylinder away from any other cylinders or any cars, boats, motorcycles or any other petrol engines.
- If you don't intend to use it for a few months, lightly spray all the surfaces with canola oil. This will help protect against corrosion.

Rust on your BBQ from lack of protective agents or misuse are expressly excluded from Warranty.

Troubleshooting

Problem	Possible Cause	Prevention/Solution
Burner(s) will not light using ignition.	Wire and/or electrode covered with cooking residue. Electrode cracked or broken "sparks at crack". Electrode tip not in proper position. Wires are loose or disconnected. Wires are shorting (sparking) between ignition and electrode. Dead battery.	Clean wire and/or electrode with rubbing alcohol and clean swab. Replace electrode(s). Reconnect wires or replace electrode/wire assembly. Replace ignition wire/electrode assembly. Replace with a new AA battery.
Burner(s) will not Light using match stick.	No gas flow. Coupling nut and regulator not fully connected. Obstruction of gas flow. Disengagement of burner to valve. Is grill assembled correctly?	Check to see if ULPG tank is empty. If ULPG tank is not empty, refer to " <i>Sudden drop in gas flow</i> ". Turn the coupling nut until solid stop. Clear burner tube(s). Reengage burner and valve. Check steps in assembly instructions.
Sudden drop in gas flow or low flame.	Out of gas. Excess flow valve tripped.	Check for gas in ULPG tank. Turn off knobs, wait 30 seconds and light grill. If flames are still low, turn off knobs and ULPG tank valve. Disconnect regulator. Reconnect regulator and leak test (Procedure located on Page 2 of this manual). Turn on ULPG tank valve, wait 30 seconds and then light grill.
Flames blow out.	High or gusting winds. Low on ULPG gas. Excess flow valve tripped.	Turn front of grill to face wind or increase flame height. Refill ULPG tank. Refer to " <i>Sudden drop in gas flow</i> " above.
Flare-up.	Grease buildup. Excessive fat in meat. Excessive cooking temperature.	Clean grill. Trim fat from meat before grilling. Adjust (lower) temperature accordingly.
Persistent grease fire.	Grease trapped by food buildup around burner system.	Turn knobs to OFF. Turn gas off at ULPG tank. Leave lid in position and let fire burn out. After grill cools, remove and clean all parts.
Flashback (fire in burner tube(s)).	Burner and/or burner tubes are blocked.	Turn knobs to OFF. Clean burner and/or burner tubes.

Troubleshooting-Electronic Ignition

Problem	Possible Cause	Check Procedure	Prevention/Solution
No sparks appear at any electrodes when ignition button is pushed; no noise can be heard from spark module.	Not installed properly.	Check battery orientation	Install battery (make sure that "+" and "-" connectors are oriented correctly, with "+" end up and "-" end down.
	Dead battery	Has battery been used previously?	Replace battery with new AA-size alkaline battery.
	Button assembly not installed properly.	Check to ensure threads are properly engaged. Button should travel up and down without binding.	Unscrew button cap assembly and reinstall, making sure threads are aligned and engaged fully.
	Faulty spark module.	If no sparks are generated with new battery and good wire connections, module is faulty.	Replace spark module assembly.
No sparks appear at any electrodes when ignition switch is pushed; noise can be heard from spark module.	Output lead connections not completed.	Are output connections on and tight?	Remove and reconnect all output connections at module and electrodes.
Sparks are present but not at all electrodes and/or not at full strength.	Output lead connections not complete.	Are output connections on and tight?	Remove and reconnect all output connections at module and electrodes.
	Arcing to grill away from burner(s)	If possible, observe grill in dark location. Operate ignition system and look for arcing between output wires and grill flames.	If sparks are observed other than from burner(s), wire insulation maybe damaged. Replace wires.
	Weak battery	All sparks present but weak or at slow rate.	Replace battery with a new AA-size alkaline battery.
	Electrodes are wet	Has moisture accumulated on electrode and/or in burner ports?	Use paper towel to remove moisture.
	Electrodes cracked or broken "sparks at crack"	Inspect electrodes for cracks.	Replace cracked or broken electrodes.



One Year Warranty

Thank you for purchasing this Goldair product. Your product is warranted against faults and manufacture when used in normal domestic use for a period of **one year**. In non-domestic use Goldair limits the voluntary warranty to **three months**.

Goldair undertake to repair or replace this product at no charge if found to be defective due to a manufacturing fault during the warranty period.

This warranty excludes damage caused by misuse, neglect, shipping accident, incorrect installation, or work carried out by anyone other than a qualified electrical service technician.

PLEASE KEEP YOUR RECEIPT AS THIS WILL HELP VERIFY YOUR WARRANTY.

The benefits given to you by this warranty are in addition to other rights and remedies available to you under law in relation to the goods or services to which this warranty relates.

In Australia, our goods come with guarantees that cannot be excluded under the Australian Consumer Law. You are entitled to a replacement or refund for a major failure and compensation for any other reasonably foreseeable loss or damage. You are also entitled to have the goods repaired or replaced if the goods fail to be of acceptable quality and the failure does not amount to a major failure.

In New Zealand this warranty is additional to the conditions and guarantees of the Consumers Guarantee Act (1993).

Goldair – New Zealand

CDB Goldair
PO Box 100-707
N.S.M.C
Auckland

Phone +64 (0)9 917 4000
Phone 0800 232 633
www.goldair.co.nz

Goldair – Australia

CDB Goldair Australia Pty
PO Box 574
South Morang
Victoria, 3752

Phone +61 (0)3 9365 5100
Phone 1300 GOLDAIR (1300 465 324)
www.goldair.com.au

Goldair One Year Warranty (IMPORTANT: Please complete and retain this warranty card)


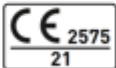
Name _____

Address _____

Place Of Purchase _____ Date of Purchase _____

Name Of Product _____ Model Number _____

Attach a copy of the purchase receipt to this warranty card

NZ IMPORTER	CDB GOLDAIR	
APPLIANCE CODE	BOSTON BLACK 6K TURBO (GBQB260)	
TEST POINT PRESSURE	3.00 kPa	
TOTAL NOMINAL GAS CONSUMPTION	23.55kW	
GAS TYPE	ULPG	
NOMINAL GAS CONSUMPTION	3.0kW Main Burner x 4 4.2kW Turbo Burner x 2 3.15kW Side Burner x 1	
INJECTOR SIZE	0.85mm for Main Burners 0.98mm for Turbo Burners 0.85mm for Side Burners	
APPROVAL NUMBER: BBQ	60143748(PIN 1936CU3748)	
SERIAL NUMBER	(GBQB260)	PO# & Date Code
USE OUTDOORS ONLY		
READ THE INSTRUCTION MANUAL BEFORE USING THE APPLIANCE		
WARNING: ACCESSIBLE PARTS MAY BE VERY HOT. KEEP YOUNG CHILDREN AWAY		
THIS APPLIANCE MUST BE KEPT AWAY FROM FLAMMABLE MATERIALS DURING USE		
DO NOT MOVE THE APPLIANCE DURING USE		
TURN OFF THE GAS SUPPLY AT THE GAS CYLINDER AFTER USE		
DO NOT MODIFY THE APPLIANCE		
*THE USE OF THIS APPLIANCE IN ENCLOSED AREAS CAN BE DANGEROUS AND IS PROHIBITED		
ALWAYS MAINTAIN 1 METRE MINIMUM CLEARANCE TO COMBUSTABLE MATERIALS AT THE REAR AND SIDES OF THE BBQ. DO NOT USE THIS BBQ UNDER OVERHEAD COMBUSTABLE SURFACES.		

Goldair™

Goldair – New Zealand
Monday – Friday 8am-5pm
Phone +64 (0)9 917 4000
Phone 0800 232 633
info@cdb.co.nz

SUPPORT AND TECHNICAL ADVICE

Goldair – Australia
Monday – Friday 8am-5pm
Phone +61 (0)3 9365 5100
Phone 1300 465 324
info@cdbgoldair.com.au

Goldair™



CDB  Goldair™

New Zealand
PO Box 100707,
North Shore Mail Centre,
Auckland, 0745
www.goldair.co.nz

Australia
PO Box 574,
South Morang,
Victoria, 3752
www.goldair.com.au