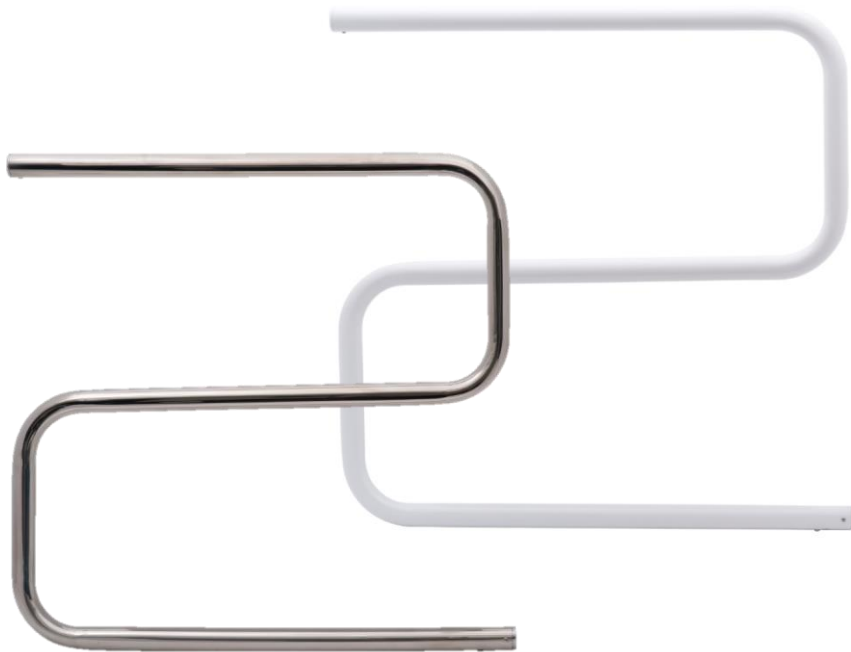




Operating Instructions

Compact 3 Bar Towel Warmers



* Available in either stainless steel or white

For Models: ETR3BSS & ETR3BW

Safety Information

YOUR SAFETY IS IMPORTANT TO US.

PLEASE ENSURE YOU TAKE NOTE OF THE INSTRUCTIONS AND WARNINGS OUTLINED IN THIS MANUAL.

When using this electrical appliance, basic safety precautions should always be observed.

This product is intended to warm and dry towels and is therefore hot to the touch. Note that your towel warmer is intended to operate at 40–50 degrees however the surface temperature of your towel rail will generally operate 20-25 degrees higher than the ambient air temperature. Any rise in ambient air temperature is directly reflected in the appliance and as a result it will feel hotter to the touch during warmer periods. The insulation effect of towels will also cause the operating temperature to increase, be mindful of this when handling the appliance.

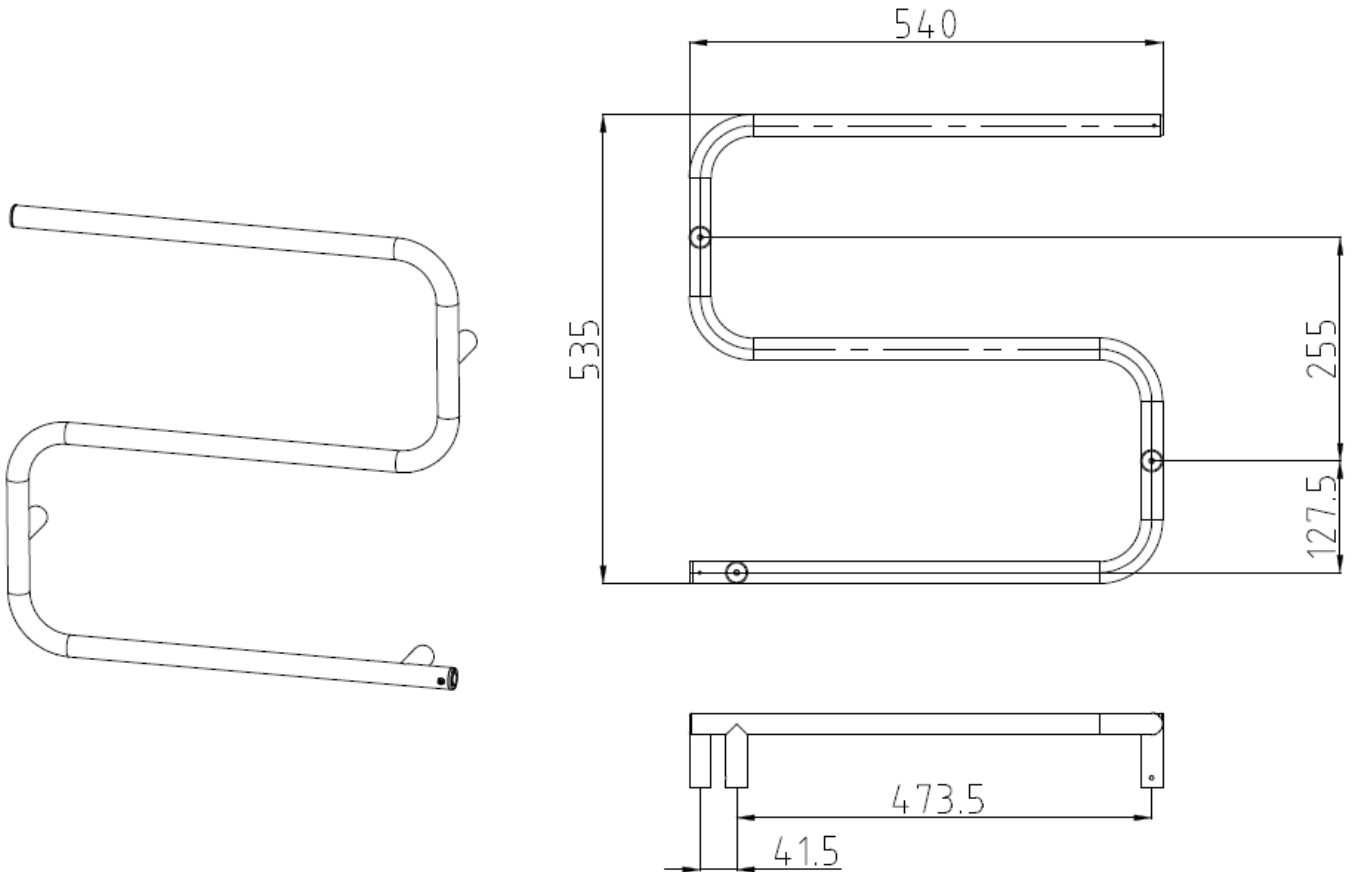
PLEASE READ THESE INSTRUCTIONS CAREFULLY.

- Ensure the towel rail is installed in a location where switches and other controls cannot be touched by a person in the bath or shower.
- **DO NOT** place towels or any other items on this appliance that have been in contact with oil, petroleum based products or dry cleaning fluids.
- Use this appliance only with the voltage specified on the rating label, or elsewhere in these instructions.
- We recommend this product is installed by a licensed electrician.
- Means for **disconnection** must be incorporated in accordance with the wiring rules.
- DO NOT immerse in any liquid.
- For service contact your nearest Authorised Service Agent.
- This appliance is not intended for use by persons (including children) with reduced physical, sensory or mental capabilities, or lack of experience and knowledge, unless they have been given supervision or instruction concerning use of the appliance by a person responsible for their safety.
- Children should be supervised to ensure that they do not play with the appliance.
- DO NOT use this appliance for any purpose other than its intended use.
- **WARNING: In order to avoid a hazard for young children, this appliance must be installed so that the bottom rail is at least 600mm above the floor.**

Specifications

SPECIFICATIONS/DIMENSIONS	
Model:	ETR3BSS / ETR3BW
Height:	535mm
Width:	540mm
ELECTRICAL	
Wattage, Painted – White:	45W
Stainless Steel:	40W
Power supply:	240 VAC 50Hz
International Protection Rating:	IP55

Dimensions



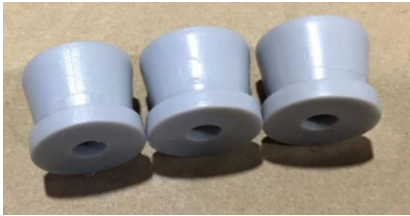
Components



3 x Leg Brackets



3 x Short Screws



3 x Mounting Bush



3 x Long Screws



3 x Wall Plugs

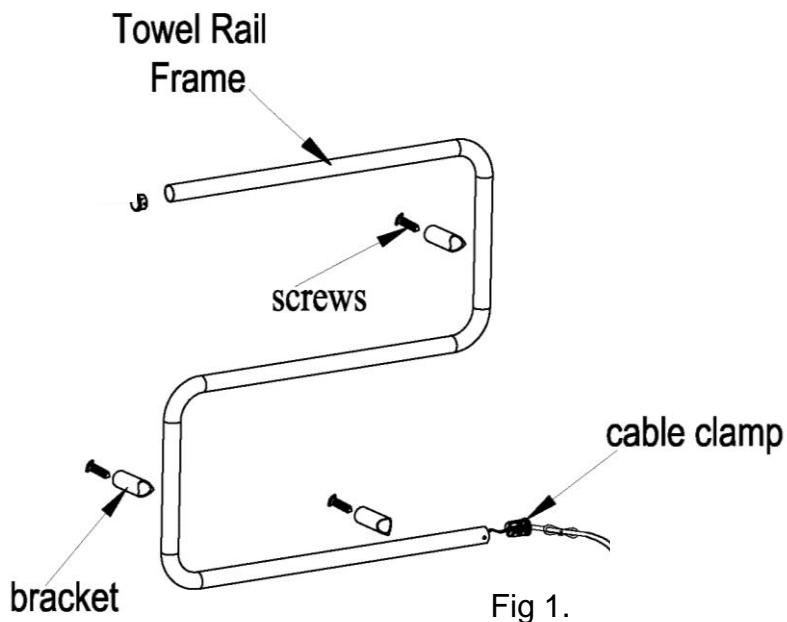


1 x Allen Key and 3 grub screws

Installation

WARNING: Installation must be completed by a registered electrician.

Always choose a safe location for the Towel Rail, keeping in mind the safety precautions outlined. Ensure all packaging has been removed from the unit before use.



Installation

This appliance **MUST** be installed in accordance with the relevant wiring rules and regulations and in particular those regulations which cover installation of appliances and accessories in damp situations such as bathrooms, showers, laundries and other areas with fixed water containers. It is to be fitted in accordance with applicable Australian/New Zealand standards (AS/NZS).

In accordance with New Zealand's wiring regulations this appliance is required to be connected to a power supply that includes an earth circuit.

This appliance cannot be connected to a two wire (lighting) power circuit.

WARNING

In order to avoid a hazard for young children, this appliance must be installed so that the bottom rail is at least 600 mm above the floor.

Special purpose tools are required for the replacement of the power supply cord. Contact an Authorised Service Agent for service.

Please note that if mounting your Heated Towel Warmer yourself contact your local hardware professional for advice on the best mounting hardware for your walls, as this may vary.

NOTE: Attempting to fix into plasterboard or cement sheeting alone is not recommended. Plasterboard in particular will not hold long term.

WALL PREPARATION

- Goldair Heated Towel Rails may be fixed to any type of timber stud, steel stud or masonry (solid or cavity) wall.
- Walls made from timber or steel require studs at the correct position for all rails. If the precise position can't be determined early in the job, consider sheets of 18mm construction ply, covering a larger area.
- This rail has a small footprint against the wall. The wire holes and mounting holes must be drilled neatly and accurately.
- For drilling through hard materials such as porcelain tiles, marble, granite etc. an appropriate drill bit must be used.
- No responsibility will be taken by Goldair for instances where installers drill incorrectly.

Electrical Installation

MOUNTING

- Choose a suitable position on the wall to mount the Heated Towel Rail. The flex entry must be horizontal and at the bottom of the frame.
- Fit the leg brackets shown in figure 1.
- Place the Heated Towel Rail on a flat surface, check that all the leg brackets are sitting parallel, if not parallel, re-tightening may be required. Do not over tighten or parts of the towel rail may break.
- Line up the towel rail on the wall, screw the lugs onto the wall in the correct positions. Place the legs over the lugs and tighten the grub screws to ensure the towel rail stays in position on the wall.

PRE WIRING

NOTE: Only drill holes when you are 100% sure of your measurements.

A means for disconnection must be incorporated in the fixed wiring in accordance with the wiring guidelines AS/NZS 3000:2007.

WALL MOUNTED TOWEL RAILS ARE ONLY TO BE MOUNTED ON HEAT RESISTANT WALLS THAT COMPLY WITH CURRENT AS/NZS SPECIFICATIONS & BUILDING REGULATIONS

Operating your Towel Warmer

ELECTRICIAN INFORMATION

A copy of this User Manual should be left with the consumer for future reference.

A means for disconnection must be incorporated in the fixed wiring in accordance with the wiring guidelines AS/NZS 3000:2007.

HEAT CONTROL

These towel rails run at a single temperature. Be aware they do get very hot to the touch.

CAUTION: The Towel Rail generates heat during use. Proper precautions must be taken to prevent the risk of burns, scalds, fires or other damage to persons

Do not attempt to dismantle the Towel Rail. There are no user serviceable parts. For service or repair, contact an authorised electrical service technician.

CARE AND CLEANING

The Towel Rail requires regular cleaning to ensure longevity of the product.

Turn off the isolating switch before cleaning. For additional protection, turn the mains supply off before cleaning.

Ensure that the towel rail has been allowed to cool down completely before cleaning.

Use a damp cloth (not wet) to wipe the exterior of the towel rail to remove dust and dirt.

Never use solutions such as benzene, thinners or polishing agents.

Never use abrasive materials like steel wool / scourers to scrub the towel rail.

Ensure the Towel Rail is dry before switching back on the mains supply and isolating switch.

RUST

Surface rust can occur on stainless steel over time. To avoid this the Heated Towel Rail is best wiped down from time to time with a damp cloth and a stainless-steel cleaner. Fine scratching can be removed using a metal polish such as 'Autosol' or 'Brasso' Paste which are available from most supermarkets and car care shops.

PROOF OF PURCHASE

To receive warranty, retain receipt as proof of purchase.

Goldair[™]

SUPPORT AND TECHNICAL ADVICE

Goldair – New Zealand

Monday – Friday 8am-5pm

Phone +64 (0)9 917 4000

Phone 0800 232 633

info@cdb.co.nz

Goldair – Australia

Monday – Friday 8am-5pm

Phone +61 (0)3 9336 4423

Phone 1300 465 324

info@cdbgoldair.com.au



Two Year Warranty

Thank you for purchasing this Goldair product. Your product is warranted against faults and manufacture when used in normal domestic use for a period of **two years**. In non-domestic use Goldair limits the voluntary warranty to **three months**.

Goldair undertake to repair or replace this product at no charge if found to be defective due to a manufacturing fault during the warranty period.

This warranty excludes damage caused by misuse, neglect, shipping accident, incorrect installation, or work carried out by anyone other than a qualified electrical service technician.

PLEASE KEEP YOUR RECEIPT AS THIS WILL HELP VERIFY YOUR WARRANTY.

The benefits given to you by this warranty are in addition to other rights and remedies available to you under law in relation to the goods or services to which this warranty relates.

In Australia, our goods come with guarantees that cannot be excluded under the Australian Consumer Law. You are entitled to a replacement or refund for a major failure and compensation for any other reasonably foreseeable loss or damage. You are also entitled to have the goods repaired or replaced if the goods fail to be of acceptable quality and the failure does not amount to a major failure.

In New Zealand this warranty is additional to the conditions and guarantees of the Consumers Guarantee Act (1993).

Goldair – New Zealand

CDB Goldair
PO Box 100-707
N.S.M.C
Auckland

Phone +64 (0)9 917 4000
Phone 0800 232 633
www.goldair.co.nz

Goldair – Australia

CDB Goldair Australia Pty
PO Box 574
South Morang
Victoria, 3752

Phone +61 (0)3 9365 5100
Phone 1300 GOLDAIR (1300 465 324)
www.goldair.com.au

Goldair Two Year Warranty (IMPORTANT: Please complete and retain this warranty card)

Name _____

Address _____

Place Of Purchase _____ Date Of Purchase _____

Name Of Product _____ Model Number _____

Attach a copy of the purchase receipt to this warranty card

Goldair™

select



CDB  **Goldair™**

New Zealand
PO Box 100707,
North Shore Mail Centre,
Auckland, 0745
www.goldair.co.nz

Australia
PO Box 574,
South Morang,
Victoria, 3752
www.goldair.com.au