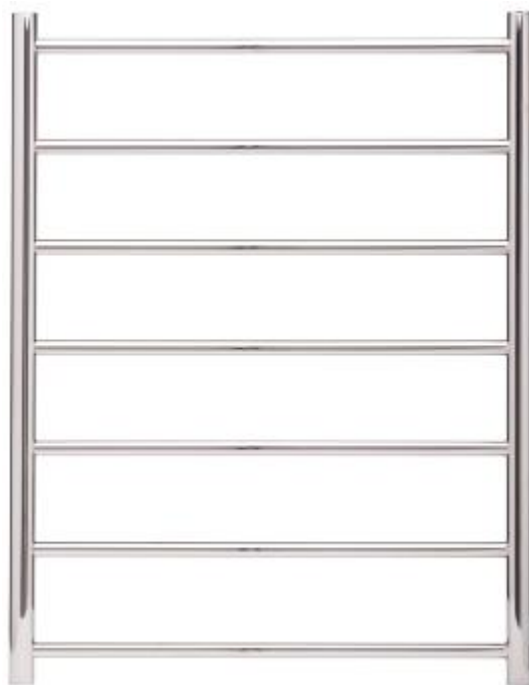




Operating Instructions

Unheated 7 Bar Ladder Towel Rail



For Model: CDBTR7NH

Safety Information

READ THESE INSTRUCTIONS CAREFULLY.

Keep them handy for future reference.

▪ DO NOT use this appliance for any purpose other than its intended use.

▪ **WARNING:** In order to avoid a hazard for young children, this appliance must be installed so that the bottom rail is at least 300mm above the floor.

SPECIFICATIONS

Height:	800mm
Width:	630mm
Depth:	112mm
Colour:	Stainless Steel

Installation

Mounting:

Please note: This towel rail should be installed by a professional.

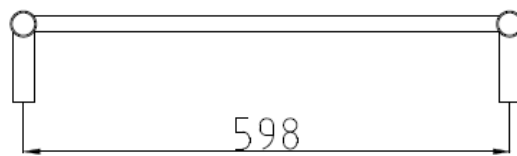
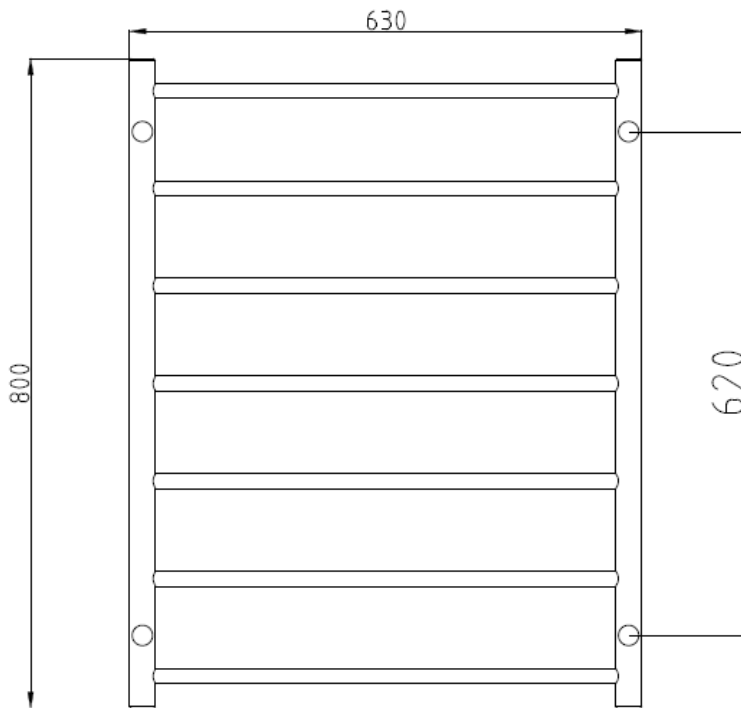
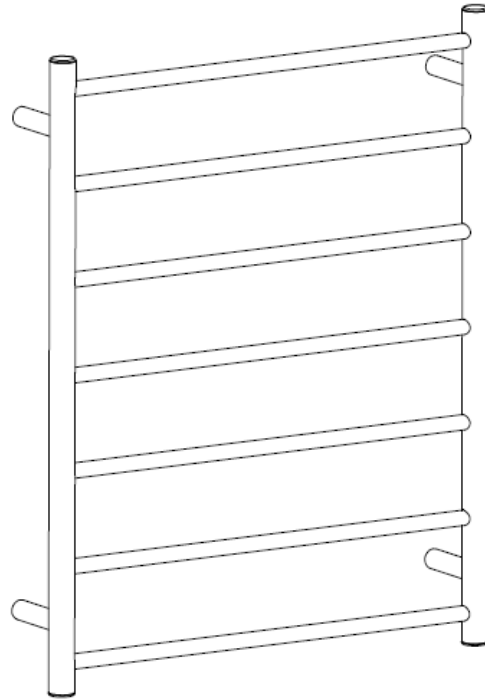
Please read the safety information on the previous page carefully before mounting.



1. 4 x Legs
2. 4 x Grub screws
(Already fitted to legs)
3. 4x Mounting Bush
4. 4 x Long Screws
(For Wall mounting)
5. 4 x Wall Plugs
6. 4 x short screws
7. 1 x Allen Key

Check mounting hardware in kit provided

Dimensions



Installation cont.



1. As shown in the picture, screw the short screw (6) through the hole of sheet metal of the bracket (1).



2. Use the short screw (6) to fix the bracket onto the metal pad of the vertical tube.



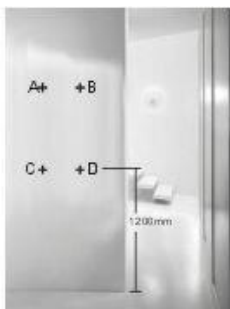
3. Screw down the short screw (6) by a screwdriver. Note that the hole of the bracket (1) should be towards the floor when the towel rail is wall mounted.



4. Fix the other three brackets (1) to the vertical tubes by repeating step 1 to 3.



5. Use a tape measure to measure the distance between the centres of the four brackets and note them as A, B, C and D.



6. Mark the wall to correspond with the bracket measurements A, B, C, D. The towel should be installed at least 300mm above floor level.



7. Drill A, B, C, D holes

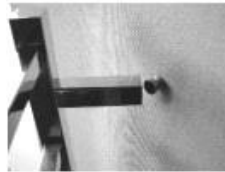
Installation cont.



8. Use hammer to knock plastic expander (5) into wall completely.



9. Insert long screw (4) through bush (3), then screw into plastic expander (5).



10. Install the bracket onto the bush (3).



11. As shown in the picture, screw the grub screw (2) into the hole of the bracket (1) by hexagonal spanner; fix the bracket (1) onto the bush (3).



12. Fix the rest three brackets by repeating step 11. The installation is finished. Then wipe the tubs cleanly

CLEANING

The Towel Rail requires regular cleaning to ensure longevity of the product.

Use a damp cloth (not wet) to wipe the exterior of the towel rail to remove dust and dirt

DO NOT USE ANY ABRASIVE OR CORROSIVE CLEANERS.

Goldair™

Goldair – New Zealand
Monday – Friday 8am-5pm
Phone +64 (0)9 917 4000
Phone 0800 232 633
info@cdb.co.nz

SUPPORT AND TECHNICAL ADVICE

Goldair – Australia
Monday – Friday 8am-5pm
Phone +61 (0)3 9336 4423
Phone 1300 465 324
info@cdbgoldair.com.au



Two Year Warranty

Thank you for purchasing this Goldair product. Your product is warranted against faults and manufacture when used in normal domestic use for a period of **two years**. In non-domestic use Goldair limits the voluntary warranty to **three months**.

Goldair undertake to repair or replace this product at no charge if found to be defective due to a manufacturing fault during the warranty period.

This warranty excludes damage caused by misuse, neglect, shipping accident, incorrect installation, or work carried out by anyone other than a qualified electrical service technician.

PLEASE KEEP YOUR RECEIPT AS THIS WILL HELP VERIFY YOUR WARRANTY.

The benefits given to you by this warranty are in addition to other rights and remedies available to you under law in relation to the goods or services to which this warranty relates.

In Australia, our goods come with guarantees that cannot be excluded under the Australian Consumer Law. You are entitled to a replacement or refund for a major failure and compensation for any other reasonably foreseeable loss or damage. You are also entitled to have the goods repaired or replaced if the goods fail to be of acceptable quality and the failure does not amount to a major failure.

In New Zealand this warranty is additional to the conditions and guarantees of the Consumers Guarantee Act (1993).

Goldair – New Zealand

CDB Goldair
PO Box 100-707
N.S.M.C
Auckland

Phone +64 (0)9 917 4000

Phone 0800 232 633

www.goldair.co.nz

Goldair – Australia

CDB Goldair Australia Pty
PO Box 574
South Morang
Victoria, 3752

Phone +61 (0)3 9365 5100

Phone 1300 GOLDAIR (1300 465 324)

www.goldair.com.au

Goldair Two Year Warranty (IMPORTANT: Please complete and retain this warranty card)

Name

Address

Place Of Purchase

Date Of Purchase

Name Of Product

Model Number

Attach a copy of the purchase receipt to this warranty card

Due to continual design improvements, the product illustrated in this User Manual may differ slightly from the actual product.

Goldair™

select



CDB  **Goldair™**

New Zealand
PO Box 100707,
North Shore Mail Centre,
Auckland, 0745
www.goldair.co.nz

Australia
PO Box 574,
South Morang,
Victoria, 3752
www.goldair.com.au