



Operating Instructions

Straight Bar Towel Warmers



For Models: CDBTR5, CDBTR7

Safety Information

YOUR SAFETY IS IMPORTANT TO US.

PLEASE ENSURE YOU TAKE NOTE OF THE INSTRUCTIONS AND WARNINGS OUTLINED IN THIS MANUAL.

When using any electrical appliance, basic safety precautions should always be observed.

PLEASE READ THESE INSTRUCTIONS CAREFULLY

- This appliance is intended to warm and dry towels and therefore is hot to the touch. When used by or near young children or infirm persons, close supervision is necessary.
- Young children should be supervised to ensure that they do not play with the appliance.
- Any rise in ambient temperature is directly reflected in the appliance, and as a result of this, the appliance will feel hotter to the touch during warmer periods. Also the insulation effect of towels will cause the operating temperature to increase slightly.
- The towel rail is to be installed so that switches and other controls cannot be touched by a person in the bath or shower.
- To avoid a hazard this heated towel rail **MUST NOT** be used to carry towels or any other articles that have been in contact with oil, petroleum based products or dry cleaning fluids.
- Use this appliance only with the voltage specified on the rating label, or elsewhere in these instructions.
- Regulations require that electrical work be carried out only by authorised persons. For your own safety and that of others ensure this is done.
- **DO NOT** immerse in any liquid.
- For service contact your nearest Authorised Service Agent.
- **WARNING:** In order to avoid a hazard for young children, this appliance must be installed so that the bottom rail is at least 600mm above the floor.
- **DO NOT** use this appliance for any purpose other than its intended use.

Specifications

DIMENSIONS		
Model:	CDBTR5	CDBTR7
Height:	570mm	800mm
Width:	630mm	630mm
Depth:	112mm	112mm
ELECTRICAL		
Wattage:	40 W	68 W
Colour:	Stainless Steel	Stainless Steel
Power supply:	220-240 VAC 50Hz	230-240 VAC 50Hz
International Protection Rating: IP55		

Installation

Mounting:

Please note: This towel rail should be installed by a professional.

Please read the safety information on the previous page carefully before mounting.



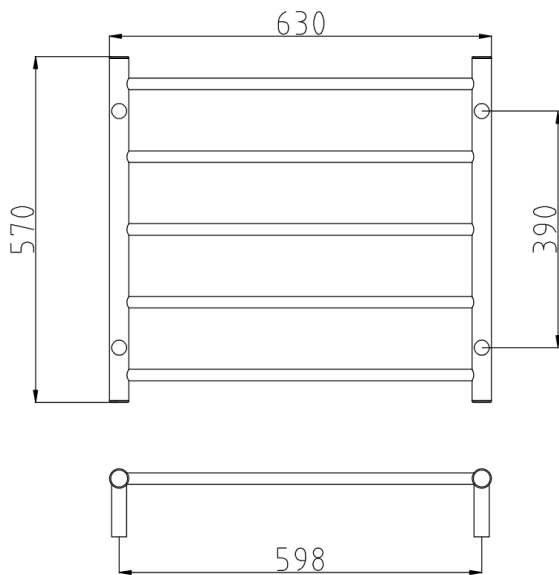
Components

1. 4 x Legs
2. 4 x Grub screws
(Already fitted to legs)
3. 4x Mounting Bush
4. 4 x Long Screws
(For Wall mounting)
5. 4 x Wall Plugs
6. 4 x short screws
7. 1 x Allen Key

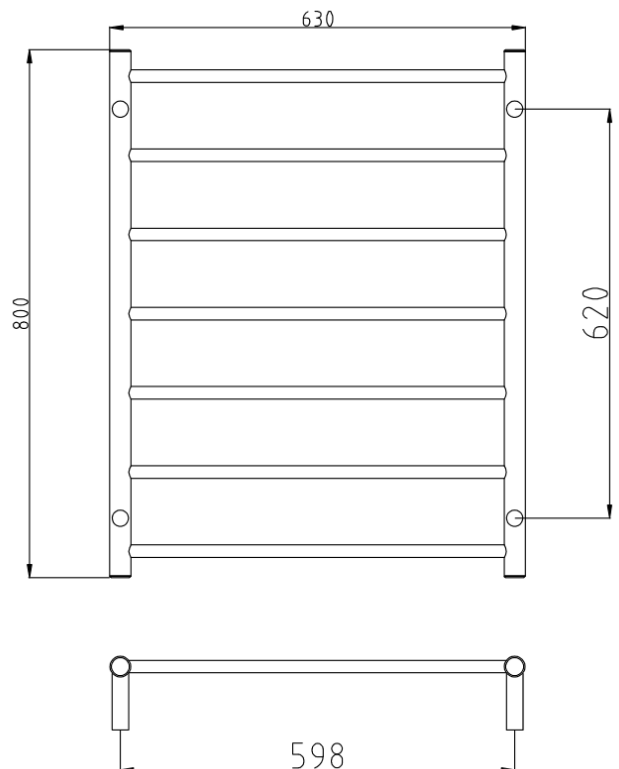
Check mounting hardware in kit provided

Please note: the below center drawings are for reference only. Installer must use the actual product as template for mounting /drilling (as each product may vary).

CDBTR5



CDBTR7



Installation cont.



1. As shown in the picture, drill the short screw (6) through the hole of sheet metal of the bracket (1).



2. Use the short screw (6) to fix the bracket onto the metal pad of the vertical tube.



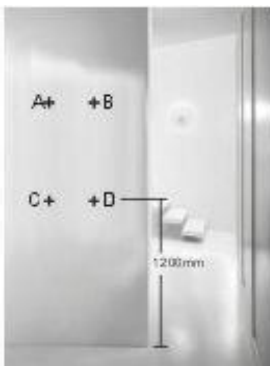
3. Screw down the short screw (6) by a screwdriver. Note that the hole of the bracket (1) should be towards the floor when the towel rail is wall mounted.



4. Fix the rest three brackets (1) to the vertical tubes by repeating step 1 to 3.



5. Use a tape measure to measure the distance between the centres of the four brackets and note them as A, B, C and D.



6. Mark the wall to correspond with the bracket measurements A, B, C, D. The towel should be installed at least 600mm above floor level.

Installation cont.



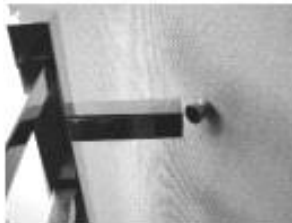
7. Drill A, B, C, D holes



8. Use hammer to knock plastic expander (5) into wall completely.



9. Insert long screw (4) through bush (3), then screw into plastic expander (5).



10. Install the bracket onto the bush (3).



11. As shown in the picture, screw the grub screw (2) into the hole of the bracket (1) by hexagonal spanner; fix the bracket (1) onto the bush (3).



12. Fix the rest three brackets by repeating step 11. The installation is finished. Then wipe the tubs cleanly.

Installation cont.

This appliance **MUST** be installed in accordance with the relevant wiring rules and regulations and in particular those regulations which cover installation of appliances and accessories in damp situations such as bathrooms, showers, laundries and other areas with fixed water containers.

It is to be fitted in accordance with applicable Australian/New Zealand standards (AS/NZS).

The means for disconnection must be incorporated in the fixed wiring in accordance with the wiring rules.

WARNING: In order to avoid a hazard for very young children, this appliance should be installed so that the lowest heated rail is at least 600 mm above the floor.

Special purpose tools are required for the replacement of the power supply cord and element. Contact an Authorised Service Agent for service.

PLEASE NOTE: CBD takes no responsibility for instances where walls/tiles have been drilled without correct measurements being taken by the installer – ensure you have the correct measurements before drilling any holes.

PLEASE NOTE: CBD takes no responsibility for instances that occur where heated towel rails have not been installed according to AS/NZS standards.

Care and Cleaning

The Towel Rail requires regular cleaning to ensure longevity of the product. Turn off the isolating switch before cleaning. For additional protection, turn the mains supply off before cleaning. Ensure that the towel rail has been allowed to cool down completely before cleaning.

Use a damp cloth (not wet) to wipe the exterior of the towel rail to remove dust and dirt. Ensure the Towel Rail is dry before switching back on the mains supply and isolating switch.

RUST

Surface rust can occur on stainless steel over time. To avoid this the Heated Towel Rail is best wiped down from time to time with a damp cloth and a stainless-steel cleaner. Fine scratching can be removed using a metal polish such as 'Autosol' or 'Brasso' Paste which are available from most supermarkets and car care shops.

DO NOT USE ANY ABRASIVE OR CORROSIVE CLEANERS.

Goldair[™]

SUPPORT AND TECHNICAL ADVICE

Goldair – New Zealand
Monday – Friday 8am-5pm
Phone +64 (0)9 917 4000
Phone 0800 232 633
info@cdb.co.nz

Goldair – Australia
Monday – Friday 8am-5pm
Phone +61 (0)3 9336 4423
Phone 1300 465 324
info@cdbgoldair.com.au



Two Year Warranty

Thank you for purchasing this Goldair product. Your product is warranted against faults and manufacture when used in normal domestic use for a period of **two years**. In non-domestic use Goldair limits the voluntary warranty to **three months**.

Goldair undertake to repair or replace this product at no charge if found to be defective due to a manufacturing fault during the warranty period.

This warranty excludes damage caused by misuse, neglect, shipping accident, incorrect installation, or work carried out by anyone other than a qualified electrical service technician.

PLEASE KEEP YOUR RECEIPT AS THIS WILL HELP VERIFY YOUR WARRANTY.

The benefits given to you by this warranty are in addition to other rights and remedies available to you under law in relation to the goods or services to which this warranty relates.

In Australia, our goods come with guarantees that cannot be excluded under the Australian Consumer Law. You are entitled to a replacement or refund for a major failure and compensation for any other reasonably foreseeable loss or damage. You are also entitled to have the goods repaired or replaced if the goods fail to be of acceptable quality and the failure does not amount to a major failure.

In New Zealand this warranty is additional to the conditions and guarantees of the Consumers Guarantee Act (1993).

Goldair – New Zealand

CDB Goldair
PO Box 100-707
N.S.M.C
Auckland

Phone +64 (0)9 917 4000
Phone 0800 232 633
www.goldair.co.nz

Goldair – Australia

CDB Goldair Australia Pty
PO Box 574
South Morang
Victoria, 3752

Phone +61 (0)3 9365 5100
Phone 1300 GOLDAIR (1300 465 324)
www.goldair.com.au

Goldair Two Year Warranty (IMPORTANT: Please complete and retain this warranty card)

Name

Address

Place Of Purchase

Date Of Purchase

Name Of Product

Model Number

Attach a copy of the purchase receipt to this warranty card

Due to continual design improvements, the product illustrated in this User Manual may differ slightly from the actual product.

Goldair™

select



CDB  **Goldair™**

New Zealand
PO Box 100707,
North Shore Mail Centre,
Auckland, 0745
www.goldair.co.nz

Australia
PO Box 574,
South Morang,
Victoria, 3752
www.goldair.com.au