

41/10

Holding Bracket HK 41

Group: 1327

Application

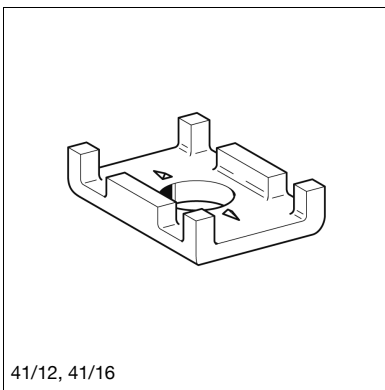
Safety element for Sikla Channels to be used instead of simple washers. The Holding Bracket prevents the edges along the opening of the channels from bending, and ensures optimum load distribution. When loads are imposing along the channels, 41 Holding Brackets provide for additional safety due to embossed teeth, which penetrate the channel. Suitable for single and double channels.

Special blanking guarantees high security and shear force after achieving form closure, especially for screwed through connecting elements.

Technical Data

Material: Cast iron, electro-galvanised

Type	Suitable for Sikla channels of width [mm]	Bore [mm]	W [kg]	Quantity [pack]	Part number
41/10	41	11	0.06	50	178247
41/12	41	13	0.07	50	178256
41/16	41	17	0.07	50	178265



41/12, 41/16

