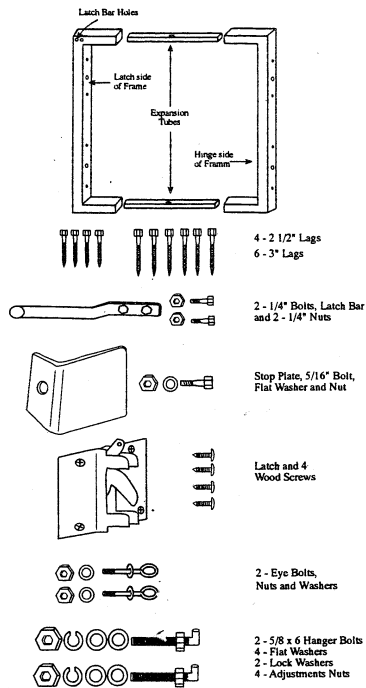


THE INSTRUCTIONS FOR SMALL GATE BUILDING

NOTE: If you are installing a Wide Gate and a Small Gate together, review all of the instructions before proceeding with this project.

BELOW IS A LIST OF ALL THE HARDWARE IN THE KIT



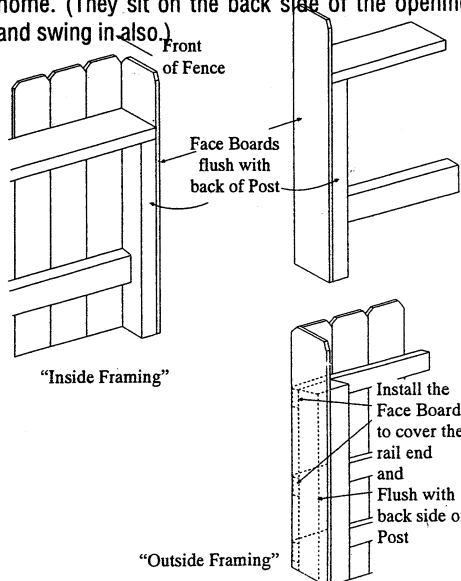
STEP 1

Install the 6" Hanger Bolts:

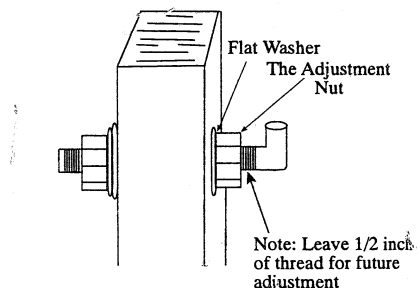
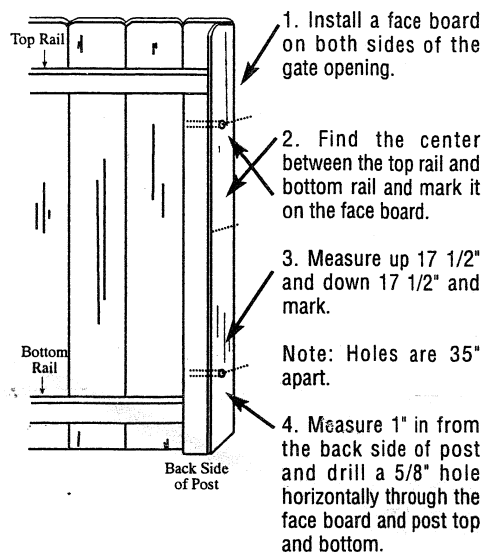
If you have a 6" or 8" post, you'll need to also buy a pair of 10" hanger bolts called HB101.

These gates want to "swing in" always. This means they will be mounted on the back side of the posts so, to prevent "side gaps", we recommend boxing in your posts as shown in the diagram.

FACE BOARDS: Since these small buildings are designed to swing in only, inside fence boards called "Face Boards", must be attached first. They will give you the same look as a door in your home. (They sit on the back side of the opening and swing in also.)



Step 1 continued...



STEP 2

Locate the HINGE side of the frame. (Does not have the two holes for the latch bar.)

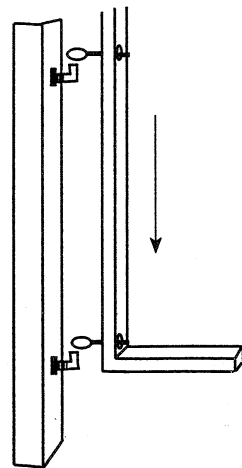
Install the Eye Bolts as shown:



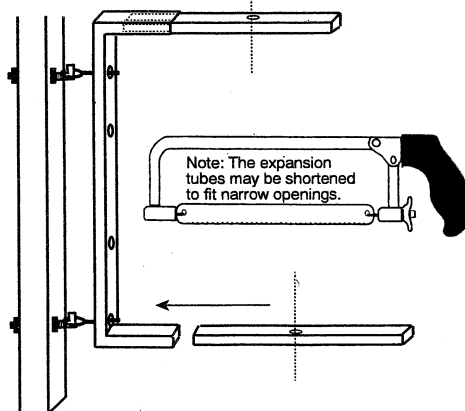
STEP 3

Hanging the frame and expanding it to fit your opening.

Drop the Hinge side Eye Bolts down over the Hanger Bolts.

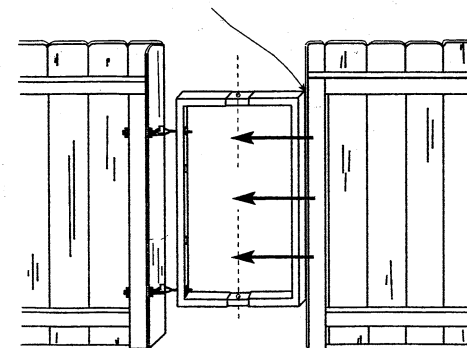


Slide in both extension tubes (keeping the holes in a vertical position.)



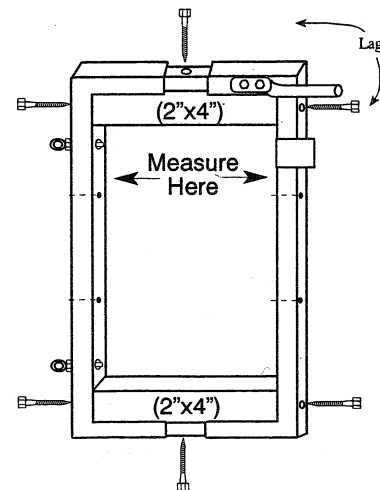
STEP 4

Slide on the latch side. Center the extension tube holes, leave 1/2" between the frame and the latch post.



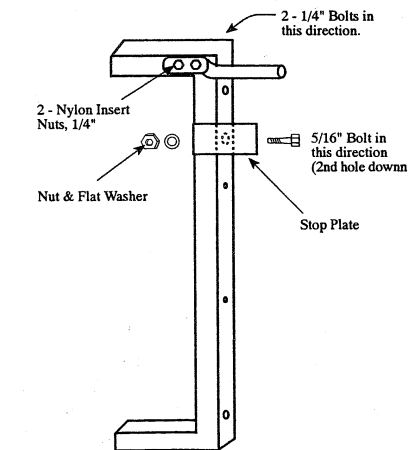
STEP 5

Now, measure in between the frame sides, cut two 2" x 4" 's and install as shown, using the 6 - 3" Lags provided.



STEP 6

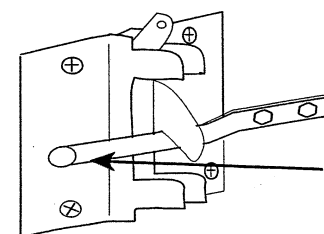
Now install the Latch side hardware on the back side of the Latch frame.



Note: Remember these Gates always swing in. This keeps the hardware on the back side of the gate, out of view from the street.

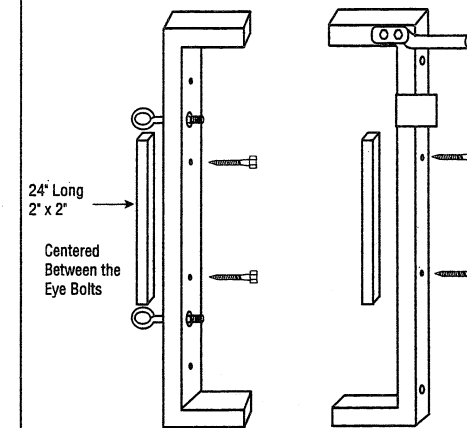
STEP 7

Install the Latch. If you find the Latch Bar needs a little adjustment when you install the Latch, a little tap with your hammer will do it!



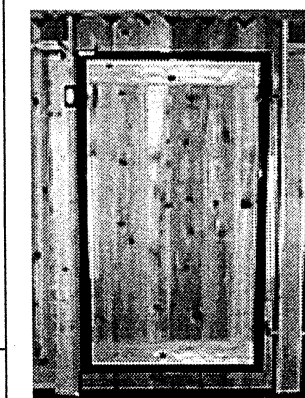
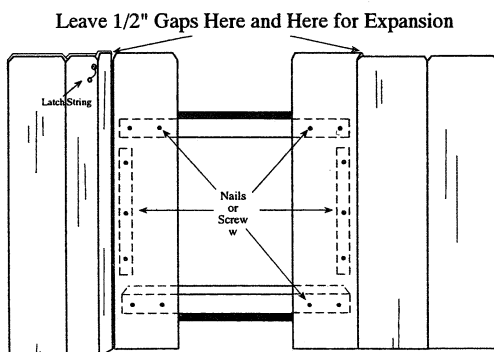
STEP 8

Attach a 24 inch long 2"x 2" as your side nailers, using the 1/4" x 2 1/2" Lags provided.

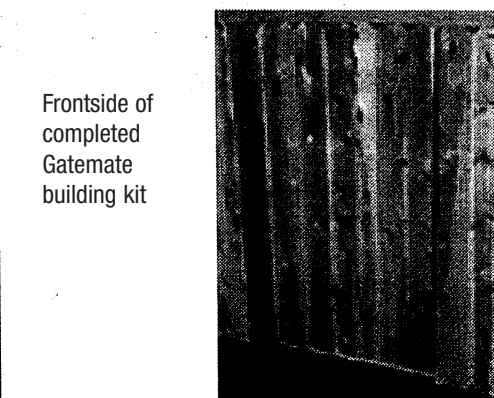


STEP 9

Fastening your fence boards to your metal frame is easy and fun!

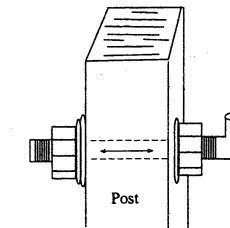


Backside of assembled Gatamate building kit



Frontside of completed Gatamate building kit

Congratulations!! You have now completed building a very nice gate. To keep it working properly for years to come, simple tighten and loosen the Adjustment Nuts as needed. You can re-align this gate forever with a simple crescent wrench!

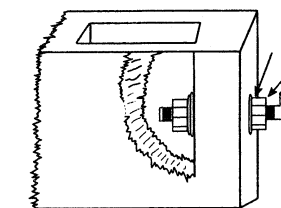


Move the Bolt to the left, the gate moves to the left. Top and/or Bottom and vice versa!

BLOCK WALL FASTENING

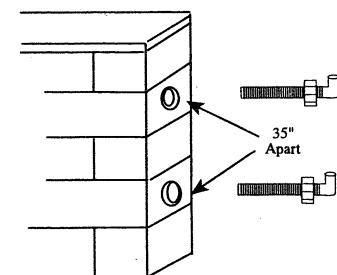
Whether your wall is new or old, wide or narrow, this system makes it simple to attach and build super gates!

1. If the wall is just being built: simply take the 5/8" hanger bolts out of either building and bolt'em in as you go, 35" apart, centered.



"Bolt on tight" (flat washer, lock washer, & nut on inside and outside of block).

2. If the wall is existing: drill 5/8" holes 35" apart and epoxy in the 5/8" hanger bolts out of either kit.



Should you have difficulty with these directions, have parts missing, or find any defect in this product, please call for assistance 510-568-8885

Thank you for using

Gatamate

Your partner for Successful gate building