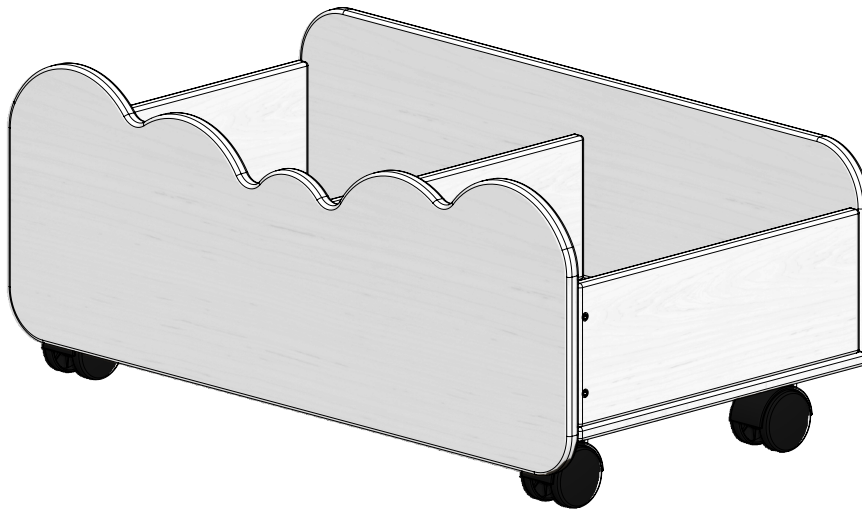
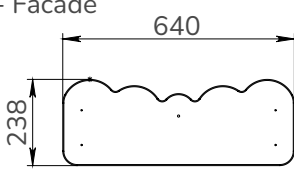
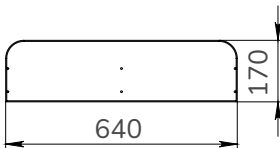
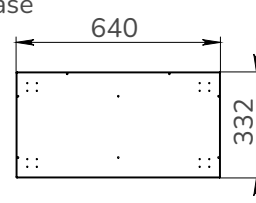
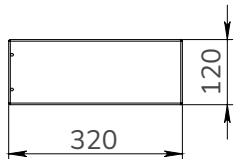
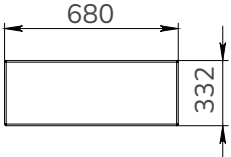
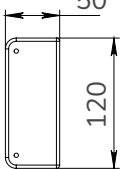

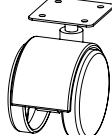



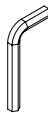
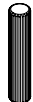
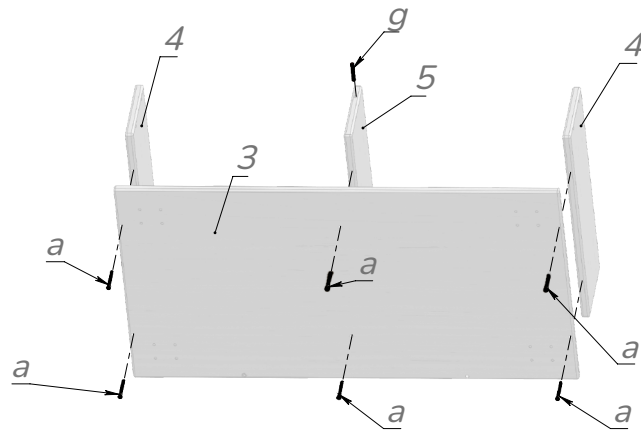


# Drawer without cutouts "Cloud"



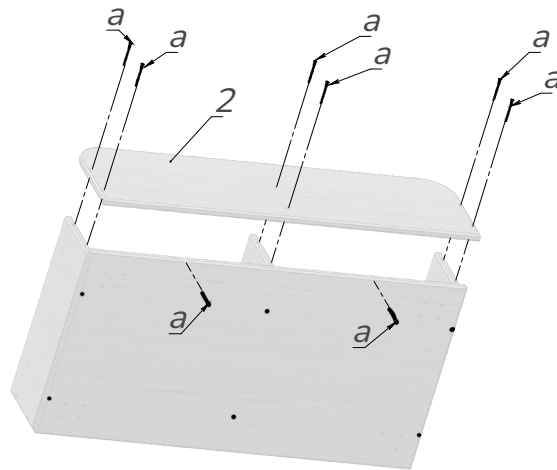
## ASSEMBLY DETAILS

<p>1 - Facade</p>  <p>1 pc.</p>	<p>2 - Back wall</p>  <p>1 pc.</p>	<p>3 - Base</p>  <p>1 pc.</p>	<p>4 - Sidewall</p>  <p>2 pcs.</p>
<p>5 - Partition</p>  <p>1 pc.</p>	<p>6 - Plank under facade</p>  <p>2 pcs.</p>	<p>a - Confirmat 5x40</p>  <p>20 pcs.</p>	<p>b - Wheel</p>  <p>4 pcs.</p>
<p>c - Self-tapping screw 3x12</p>  <p>16 pcs.</p>	<p>d - Self-tapping screw 3x20</p>  <p>4 pcs.</p>	<p>e - Screwdriver</p>  <p>1 pc.</p>	<p>f - Hex key 3 mm</p>  <p>1 pc.</p>
<p>g - Wooden dowel 8x30</p>  <p>1 pc.</p>			



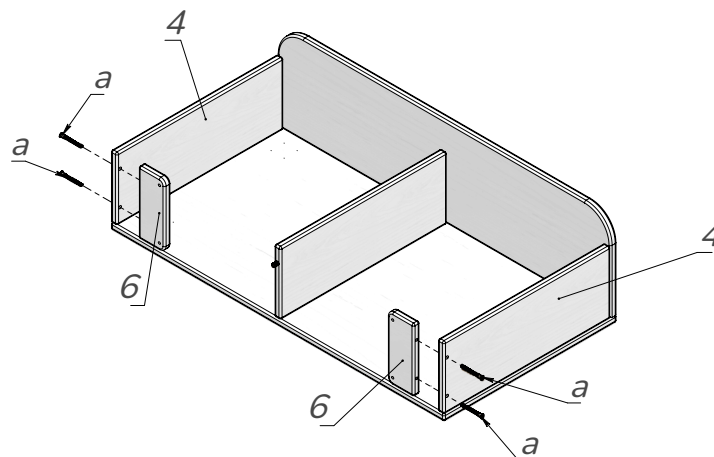
Pic. 1

Take the base (3) and using the confirmat screws (a) and hex key (f) connect the sidewalls (4) and partition (5) to it. Install the wooden dowel (g) into detail 5. See Pic. 1.



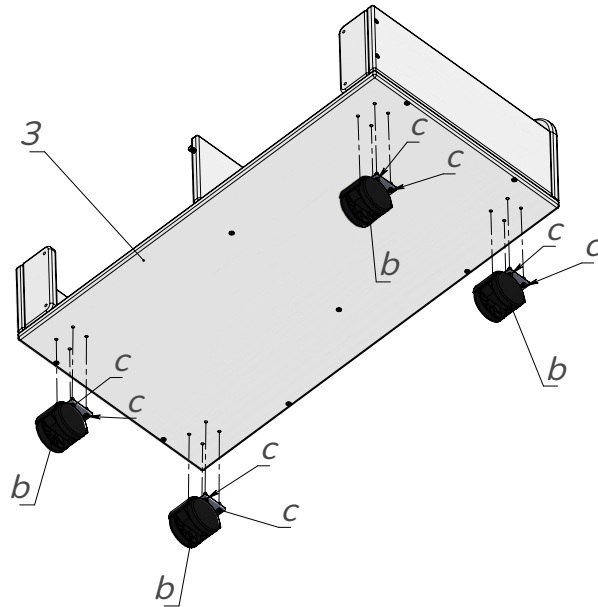
Pic. 2

Take the assembled construction and using the confirmat screws (a) connect the back wall (2) to it. See Pic. 2.



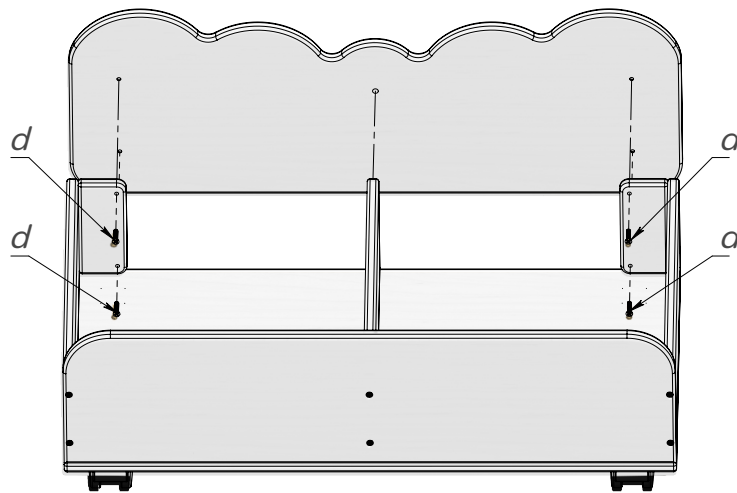
Pic. 3

Take the planks under facade (6) and screw them with confirmat screws (a) to the sidewalls (4). See Pic. 3



Pic. 4

Using the self-tapping screws (c) and screwdriver (e), screw the wheels (b) to the base (3). See Pic. 4.



Pic. 5

Take the facade (1) and attach it to the previously assembled construction. See Pic. 5.



To be used for its intended purpose only and under the direct supervision of an adult!  
All the responsibility for children's injuries received during games on the furniture lies on adults watching after them.

Always be vigilant during children's games!